

[54] GAS TANK FILLER NECK LOCK

[75] Inventor: Donald J. Shanklin, Fullerton, Calif.

[73] Assignee: Superior Industries International, Inc., Van Nuys, Calif.

[\*\*] Term: 14 Years

[21] Appl. No.: 186,504

[22] Filed: Sep. 11, 1980

[51] Int. Cl. .... D8-07

[52] U.S. Cl. .... D8/331; D8/336

[58] Field of Search ..... 70/163, 173, 242, 237, 70/243, 187, 170; D12/197; D8/331, 330, 337, 338, 336; 280/814

[56] References Cited

U.S. PATENT DOCUMENTS

2,002,818	5/1935	Jones	70/173
4,144,728	3/1979	Boynton et al.	70/58
4,317,345	3/1982	Hinson	70/163 X

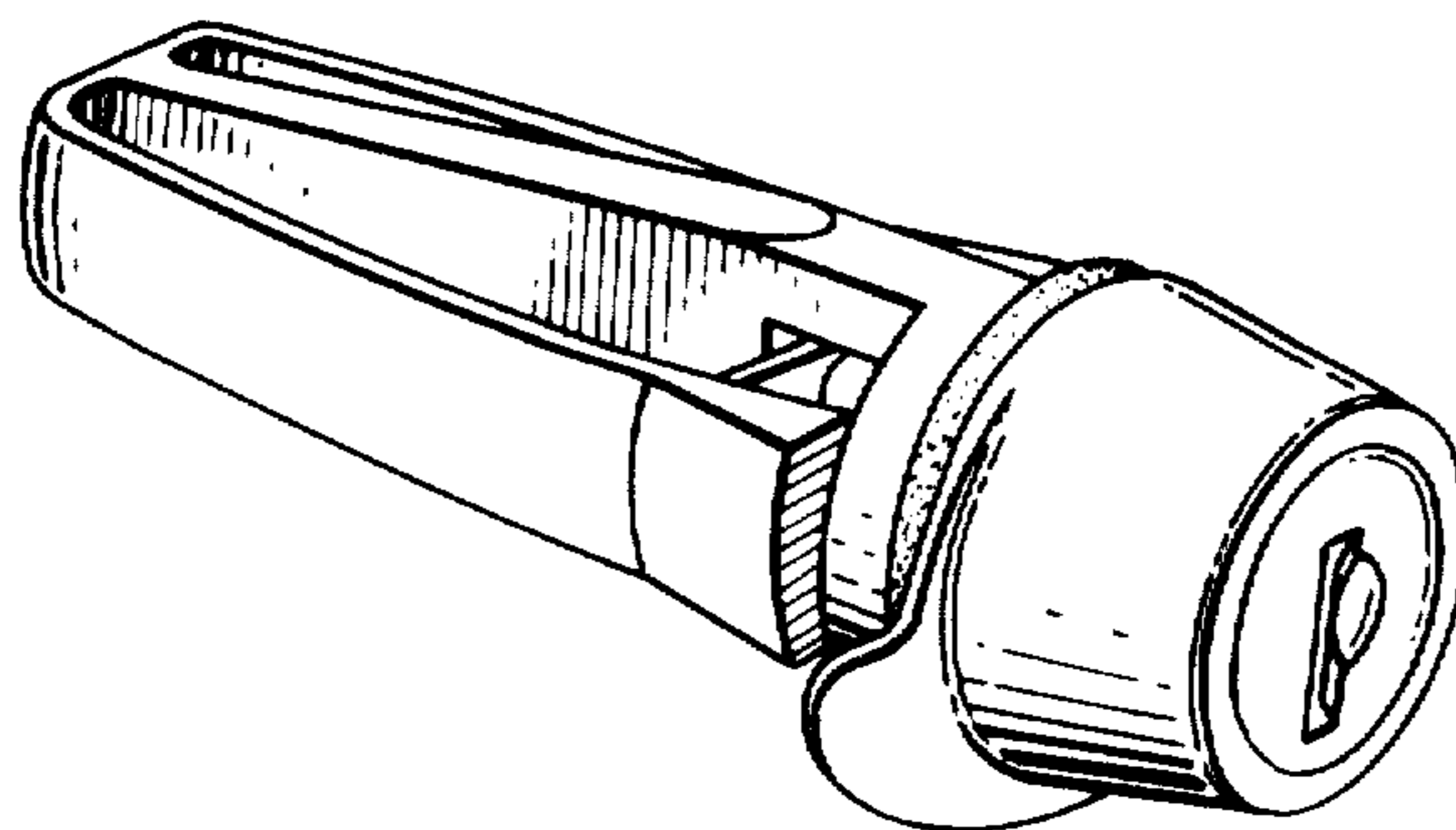
Primary Examiner—A. Hugo Word  
Attorney, Agent, or Firm—Fulwider, Patton, Rieber, Lee & Utecht

[57] CLAIM

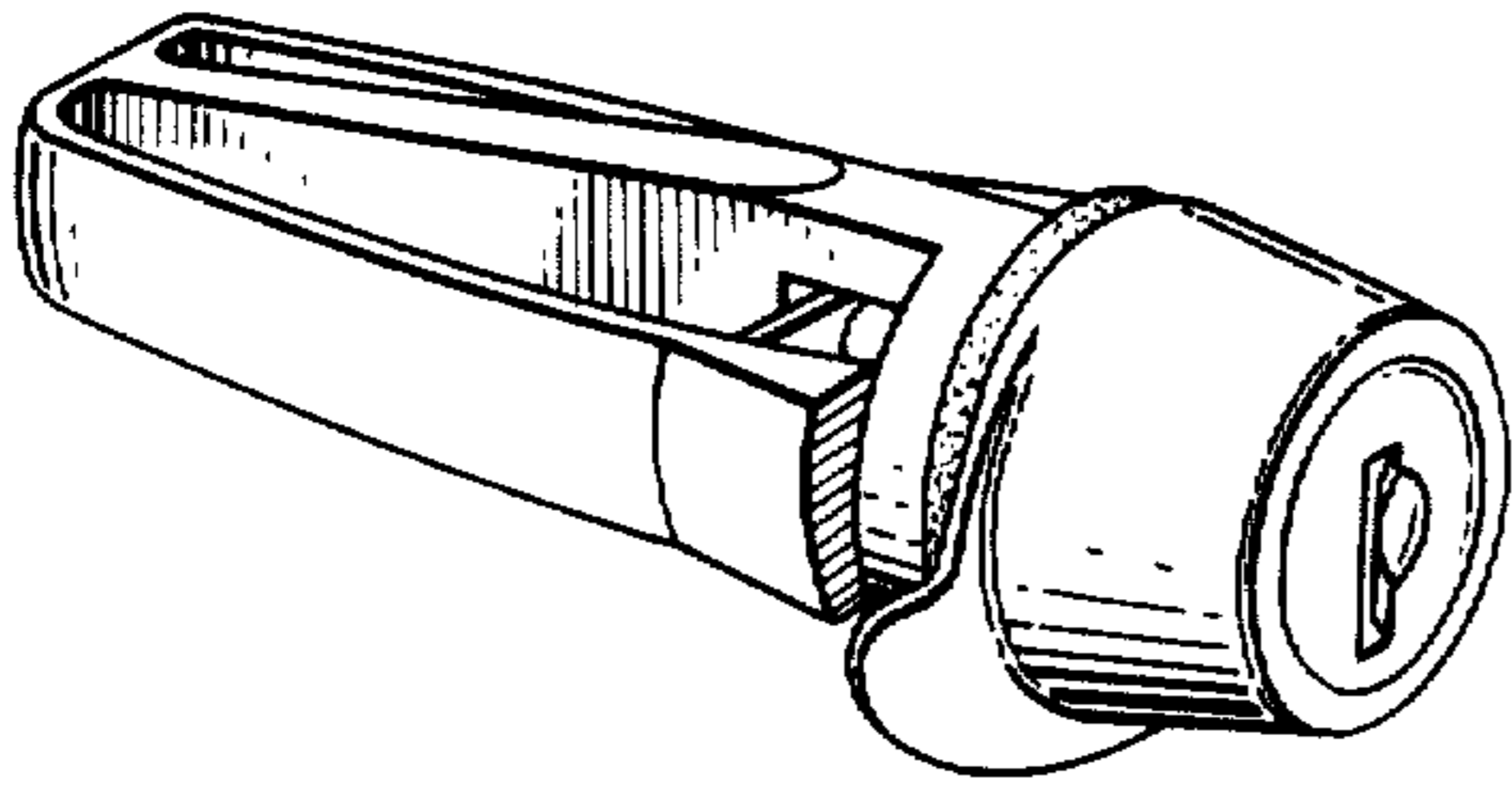
The ornamental design for a gas tank filler neck lock, substantially as shown and described.

DESCRIPTION

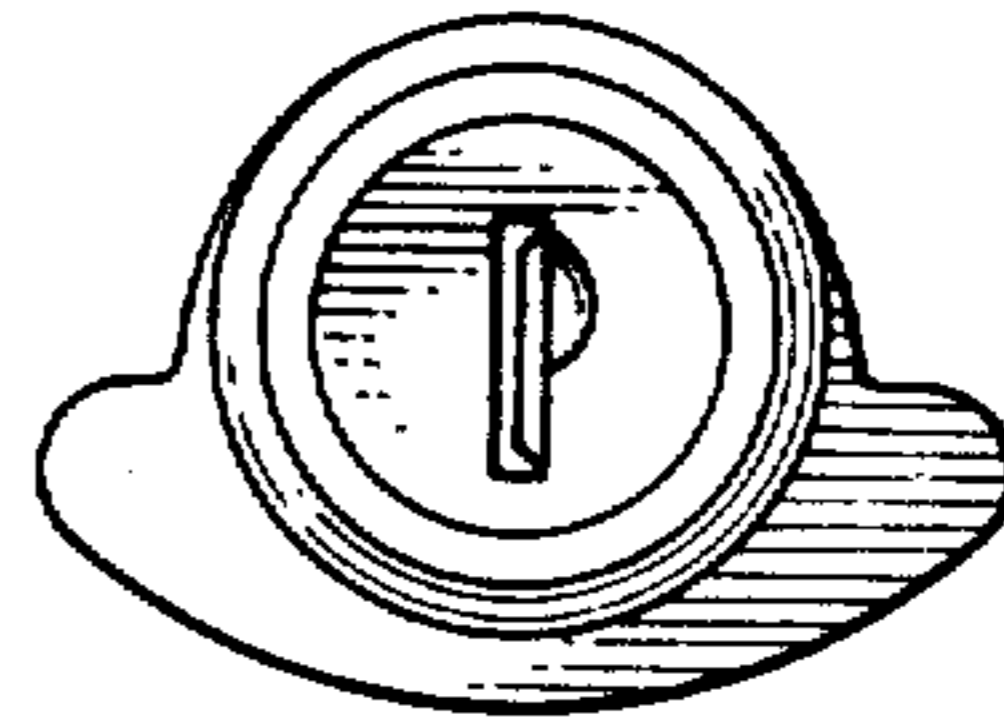
FIG. 1 is a perspective view of a gas tank filler neck lock, showing a first form of my new design;  
 FIG. 2 is a front elevational view thereof;  
 FIG. 3 is a side elevational view of one side thereof;  
 FIG. 4 is a side elevational view of the side opposite that shown in FIG. 3;  
 FIG. 5 is a top plan view thereof.  
 FIG. 6 is a bottom view thereof;  
 FIG. 7 is a rear elevational view thereof;  
 FIG. 8 is a perspective view of a second form of a gas tank filler neck lock showing my new design;  
 FIG. 9 is a front elevational view thereof;  
 FIG. 10 is a side elevational view of one side thereof;  
 FIG. 11 is a side elevational view of the side opposite that shown in FIG. 10;  
 FIG. 12 is a top plan view thereof.  
 FIG. 13 is a bottom view thereof;  
 FIG. 14 is a rear elevational view thereof;  
 FIG. 15 is a perspective view of a third form of a gas tank filler neck lock showing my new design;  
 FIG. 16 is a front elevational view thereof;  
 FIG. 17 is a side elevational view of one side thereof;  
 FIG. 18 is a side elevational view of the side opposite that shown in FIG. 17;  
 FIG. 19 is a top plan view thereof.  
 FIG. 20 is a bottom view thereof;  
 FIG. 21 is a rear elevational view thereof.



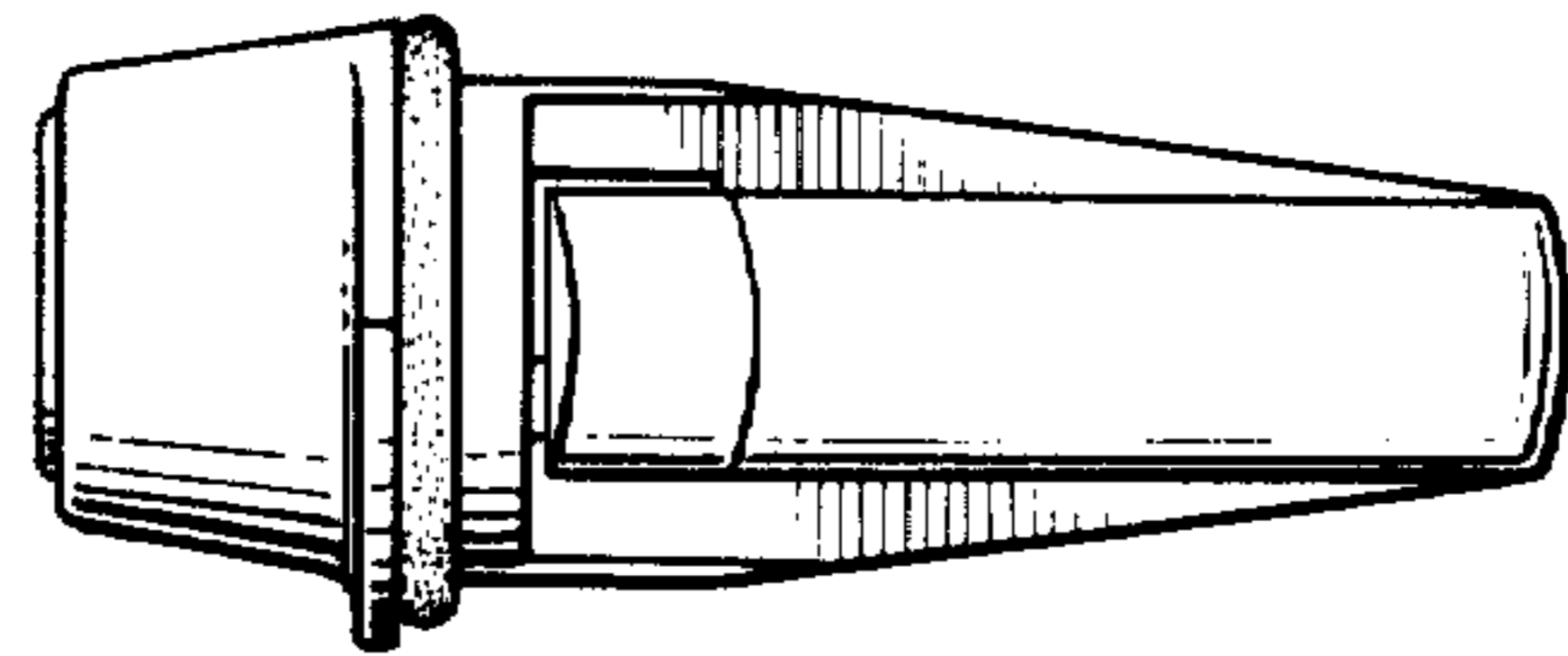
*FIG. 1.*



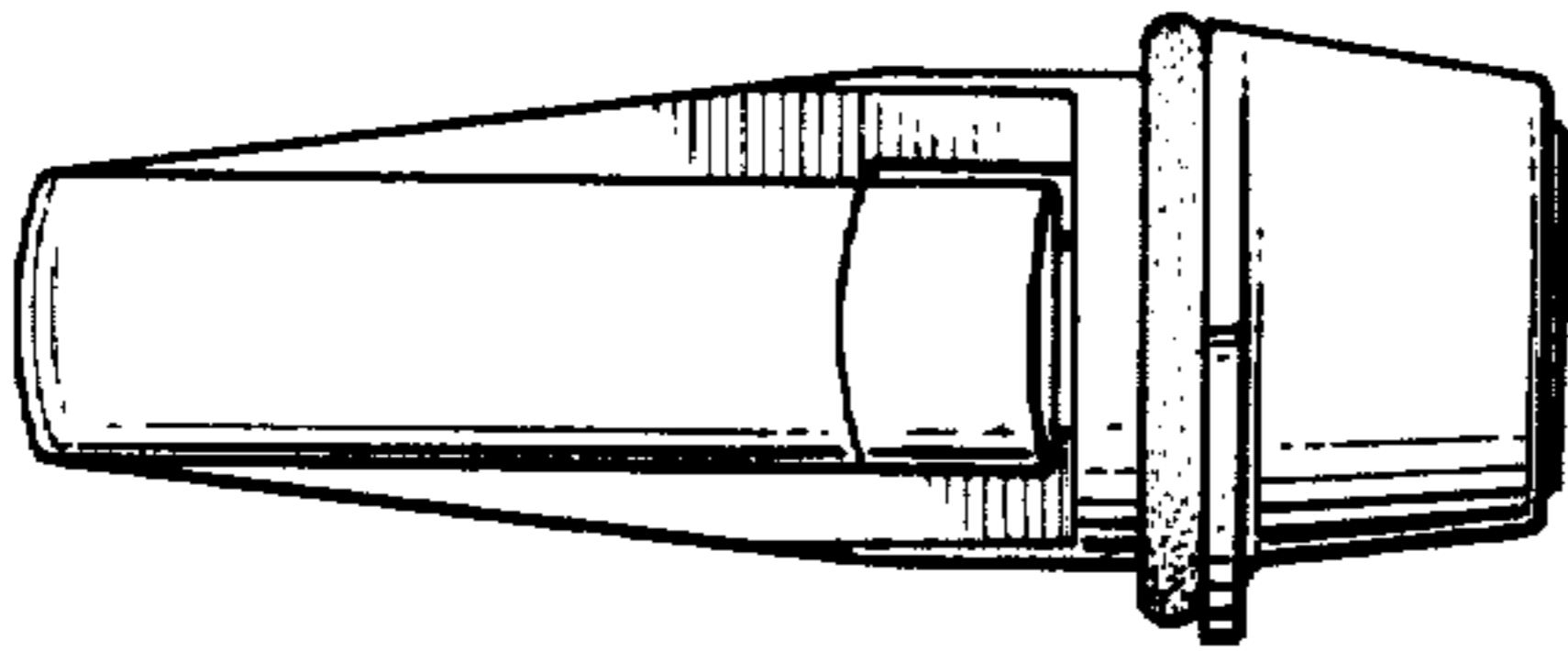
*FIG. 2.*



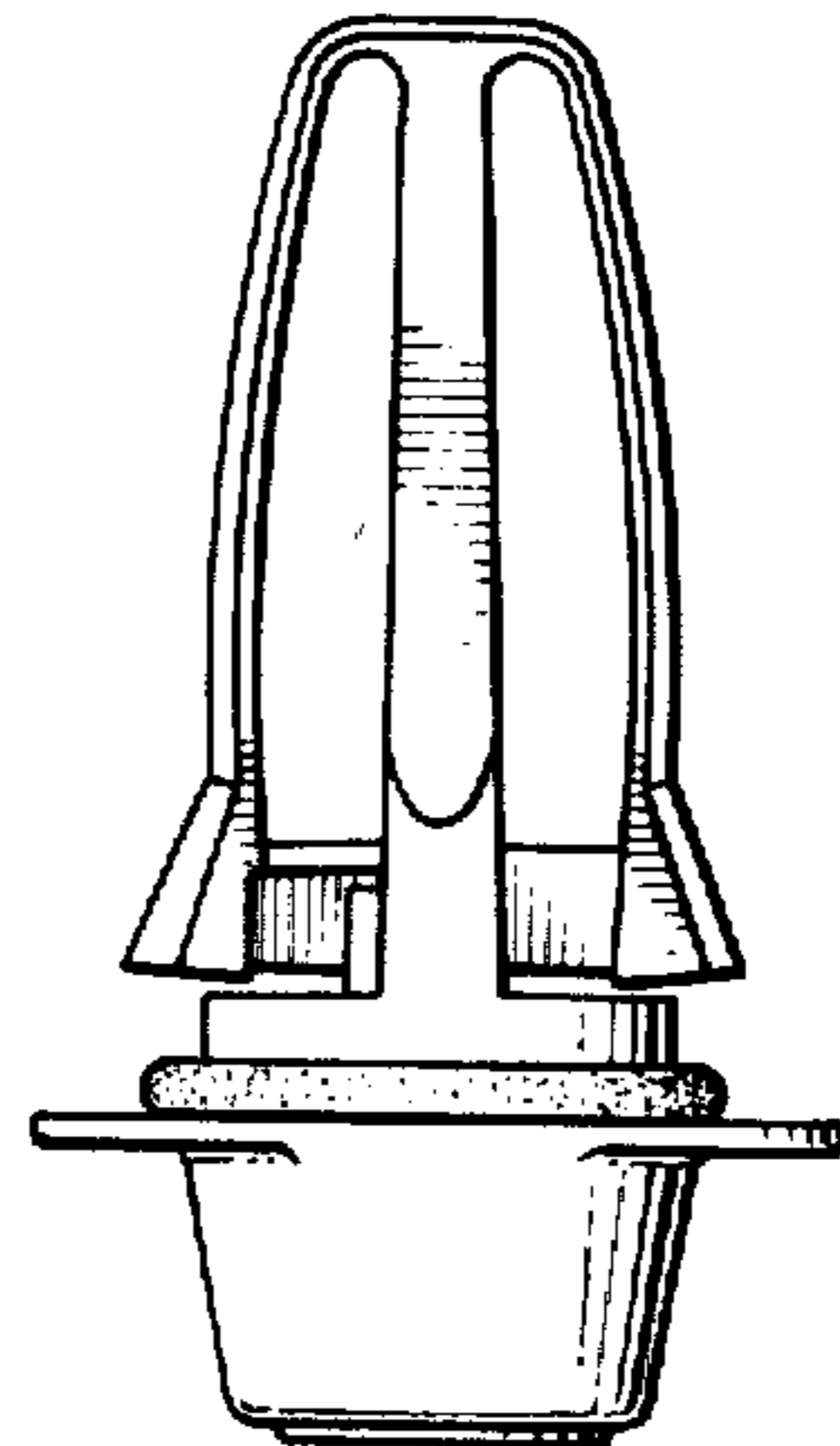
*FIG. 3.*



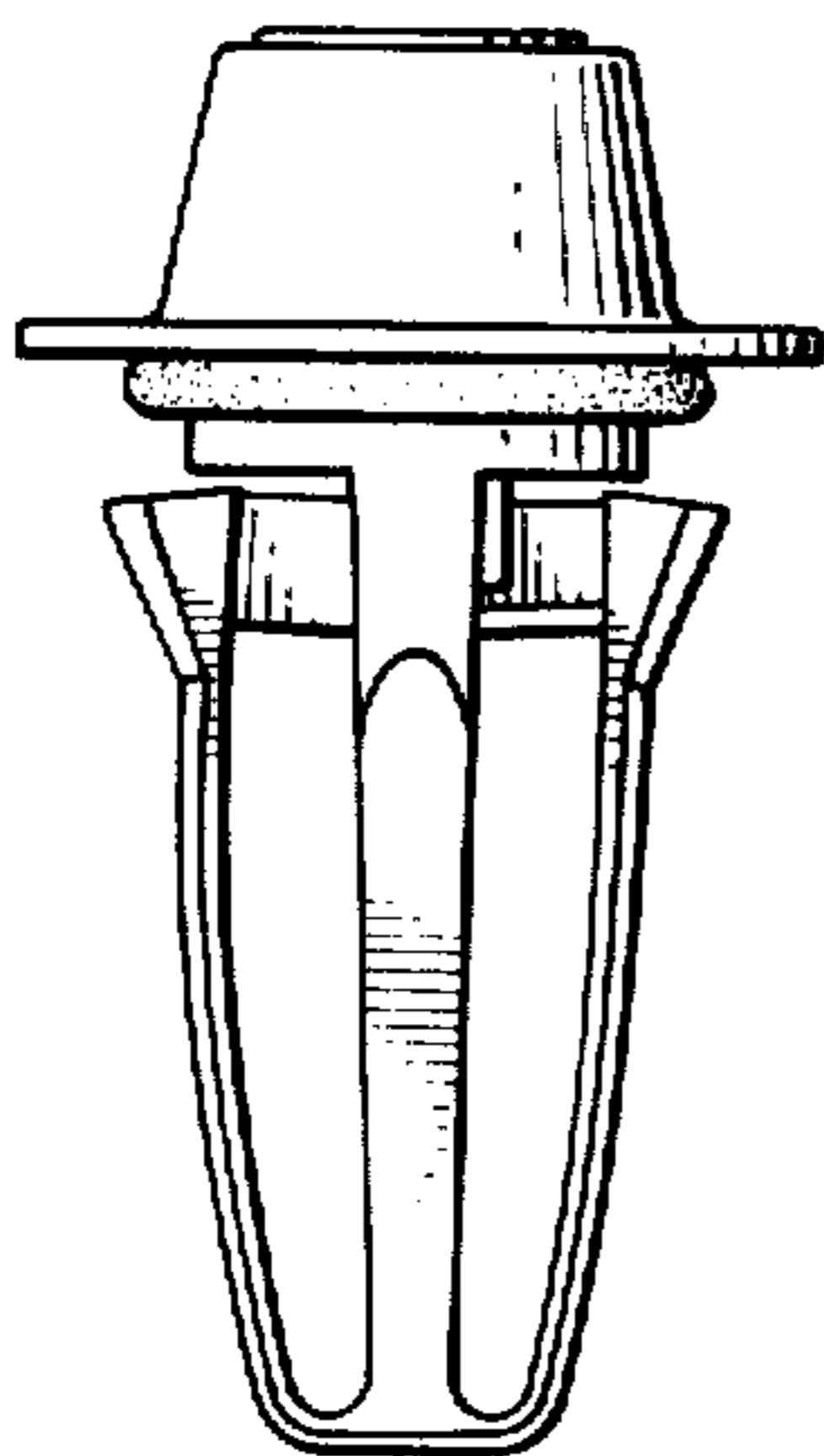
*FIG. 4.*



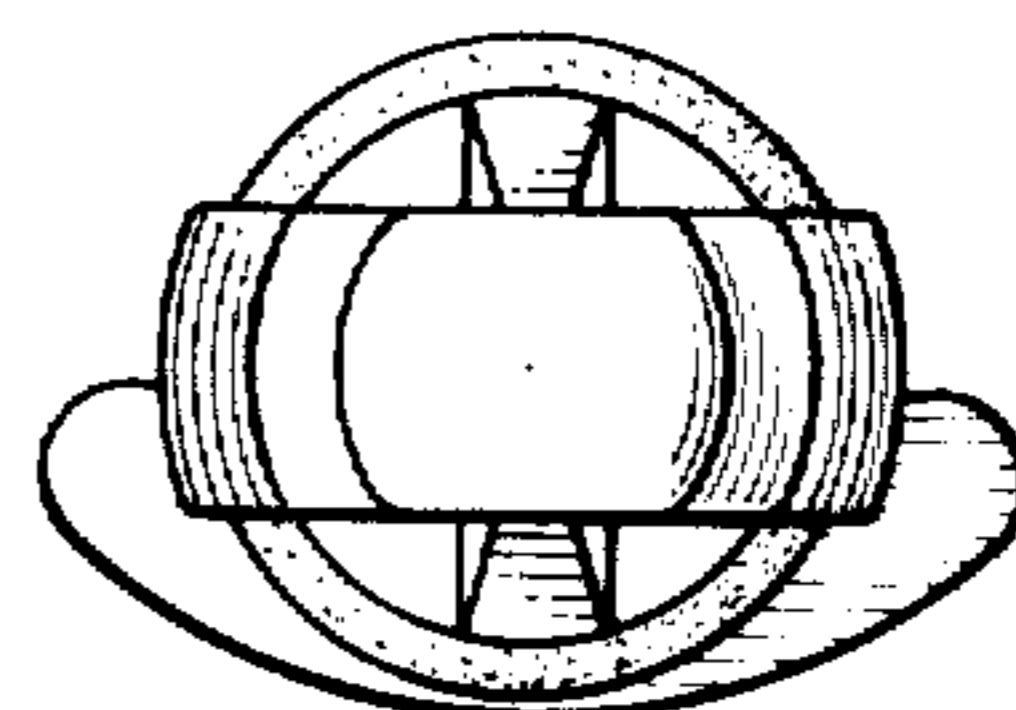
*FIG. 5.*



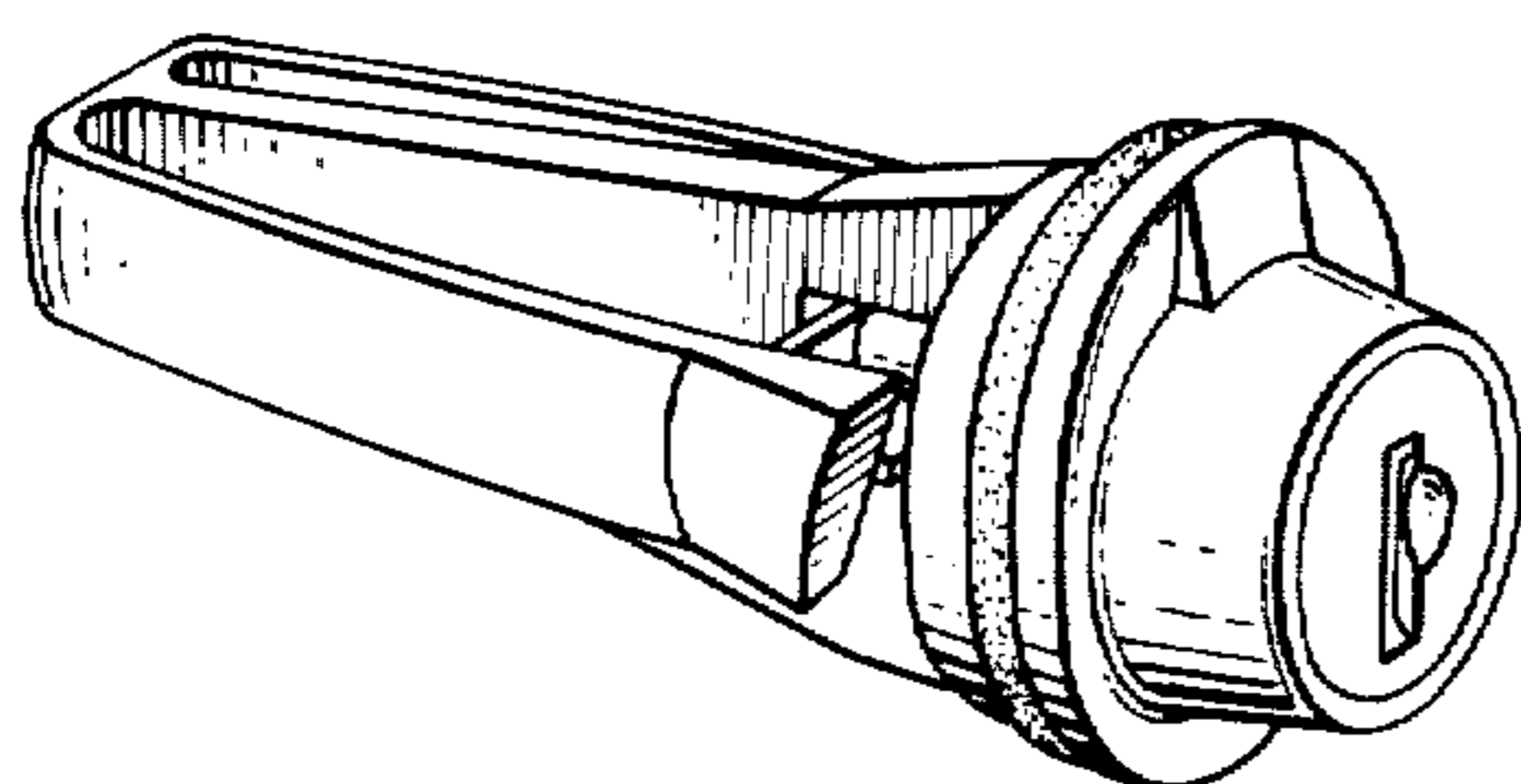
*FIG. 6.*



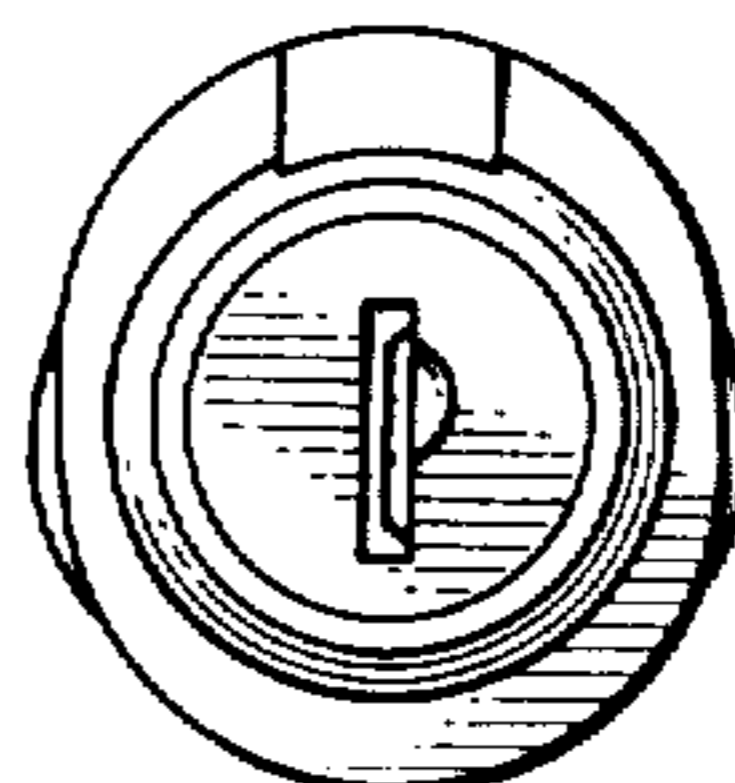
*FIG. 7.*



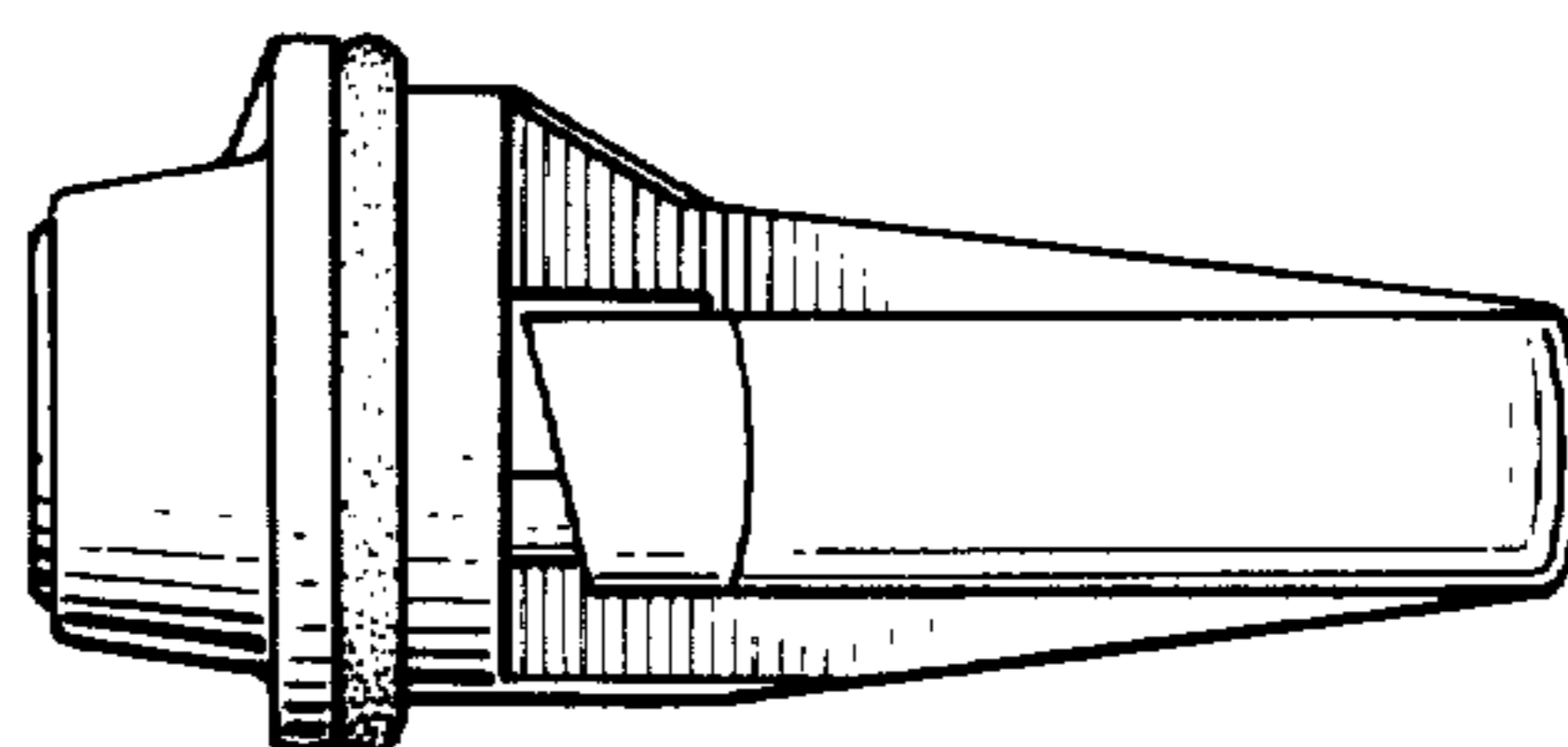
*FIG. 8.*



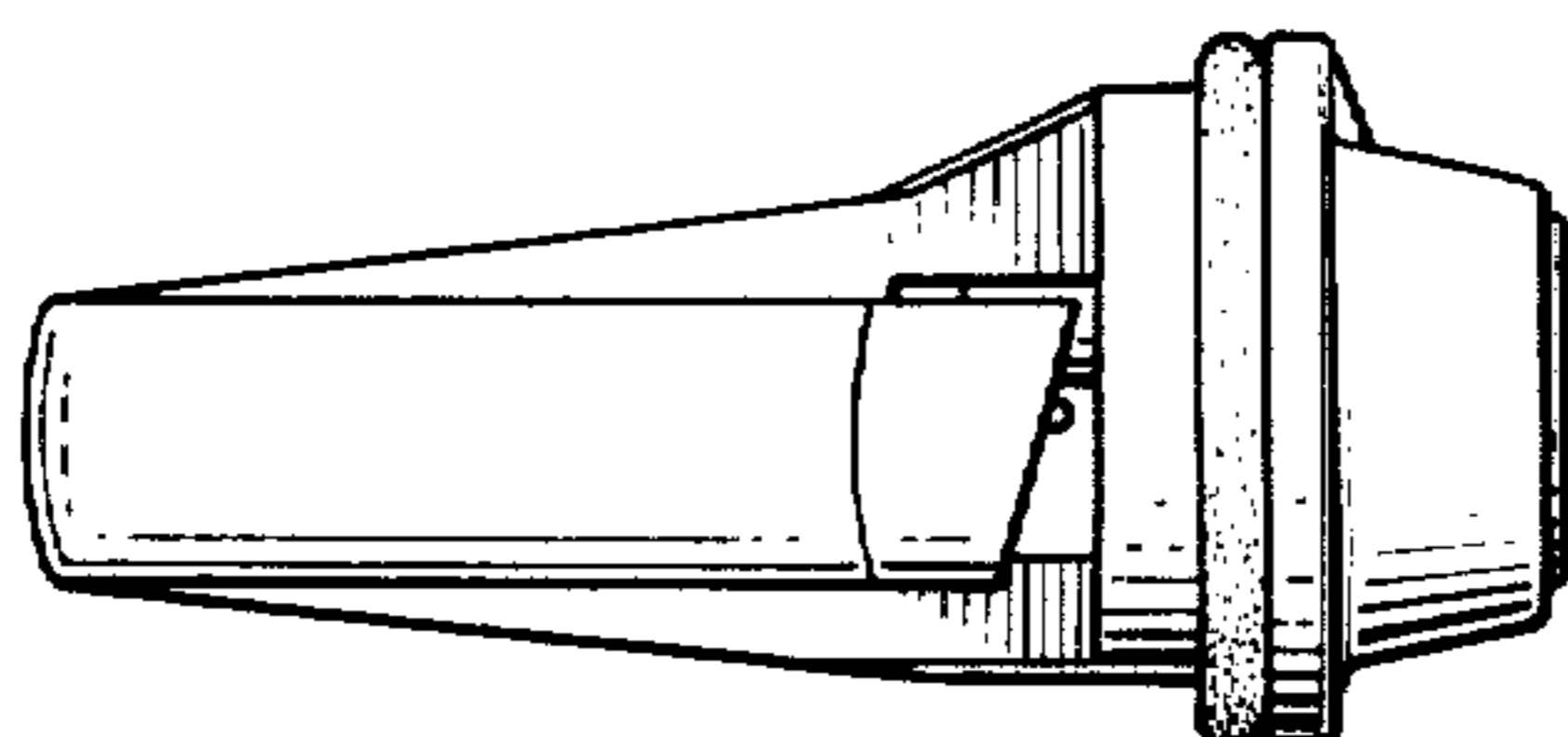
*FIG. 9.*



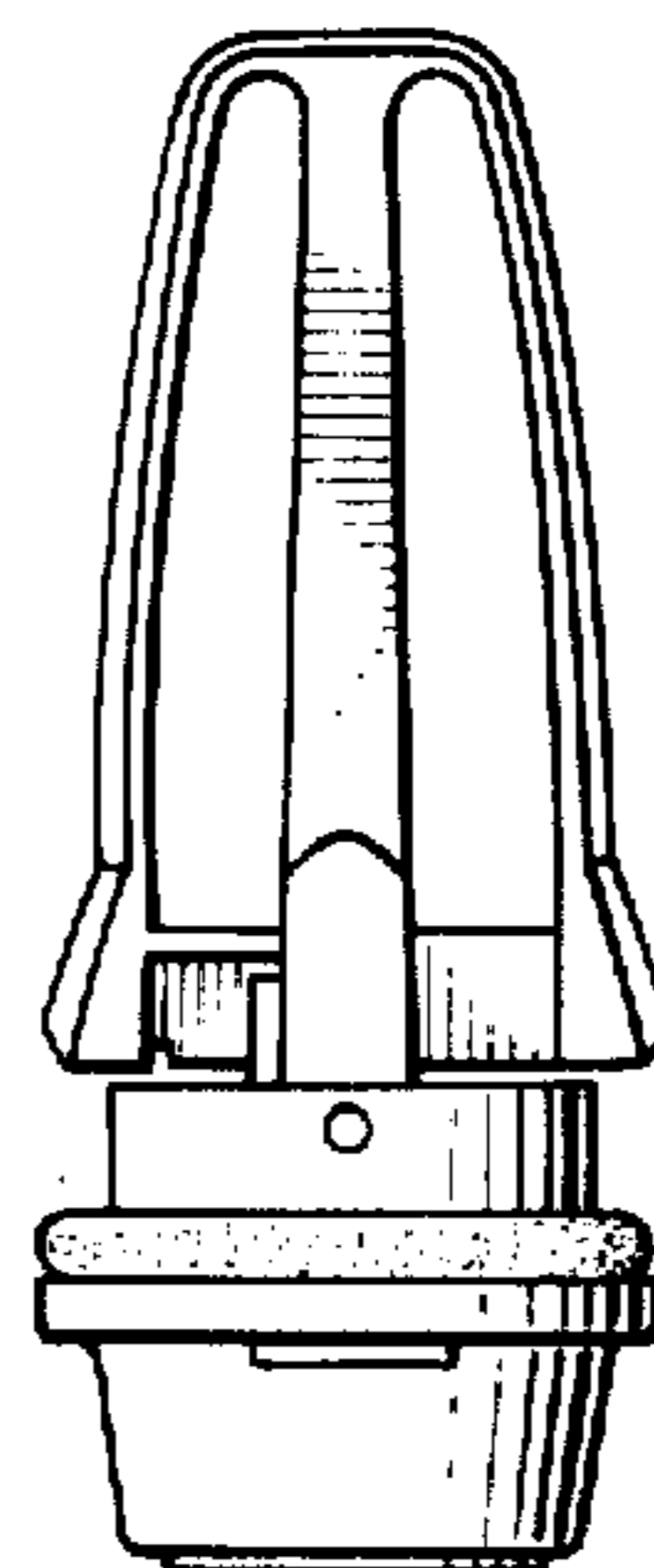
*FIG. 10.*



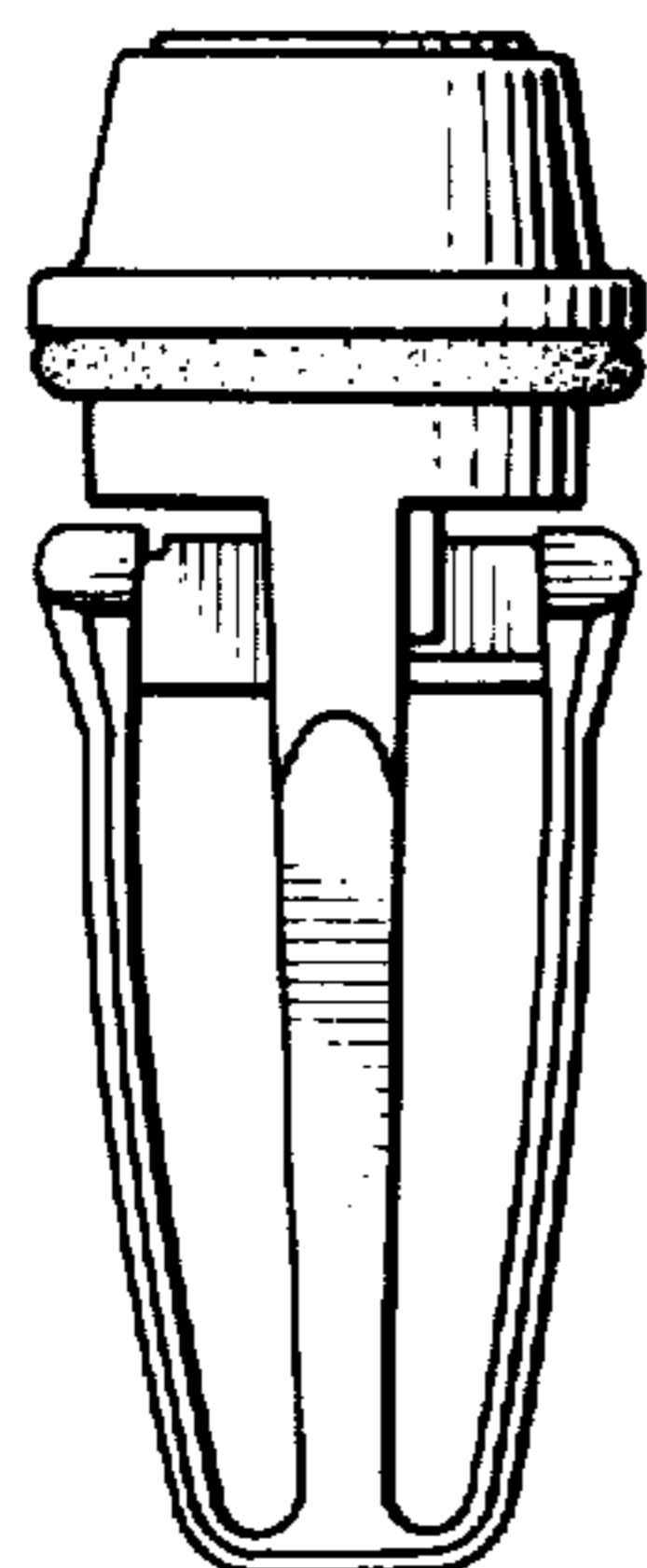
*FIG. 11.*



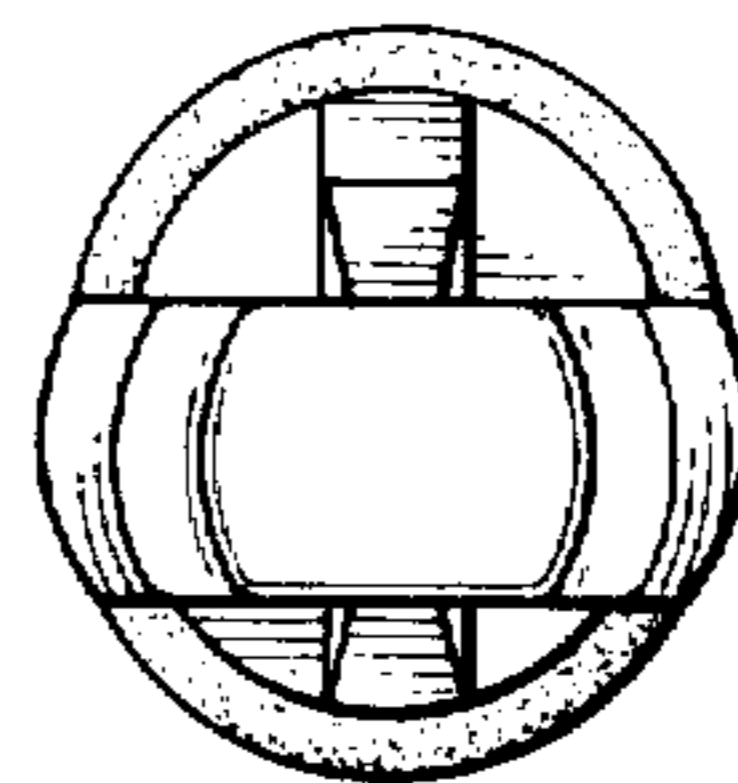
*FIG. 12.*



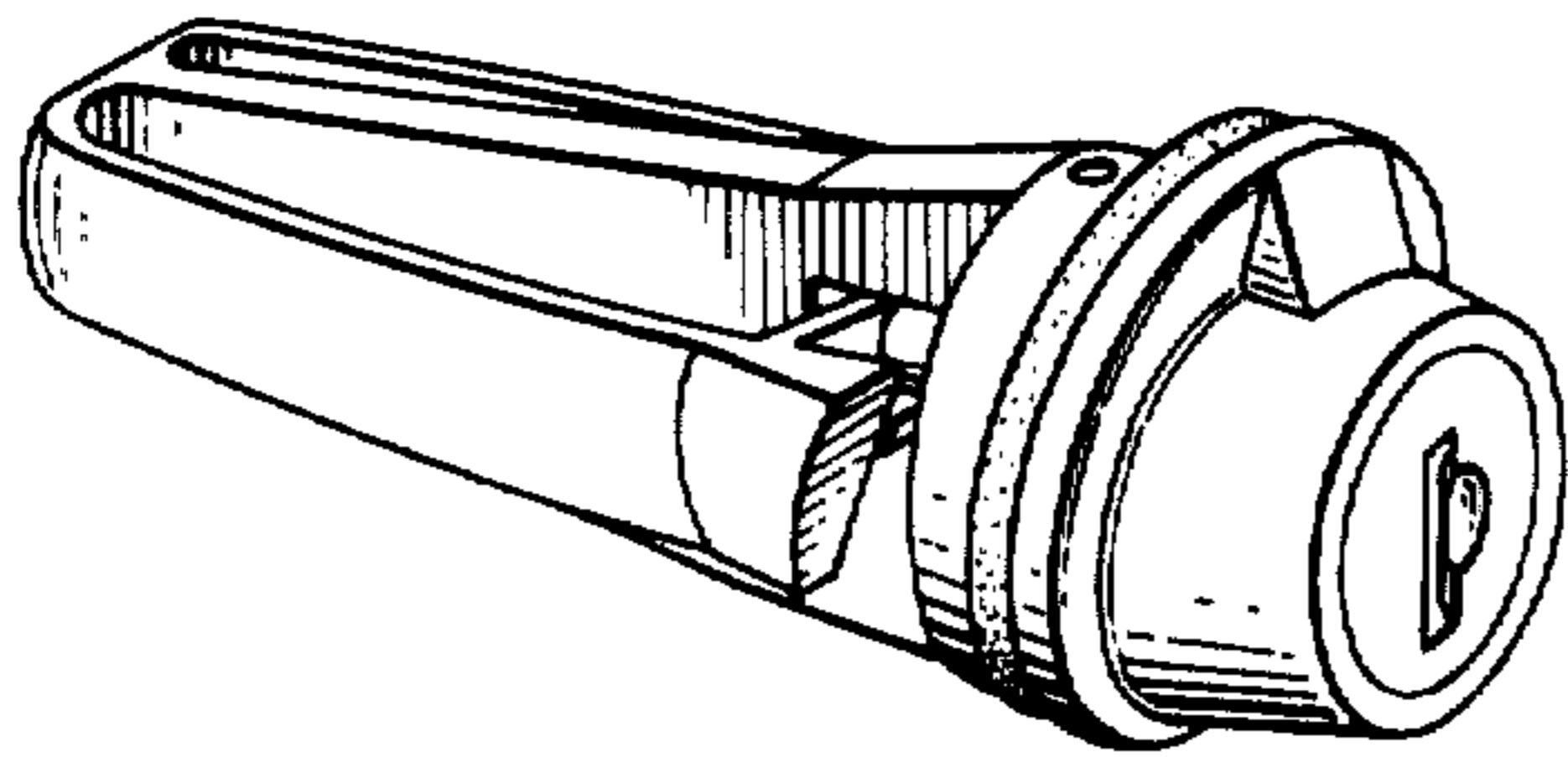
*FIG. 13.*



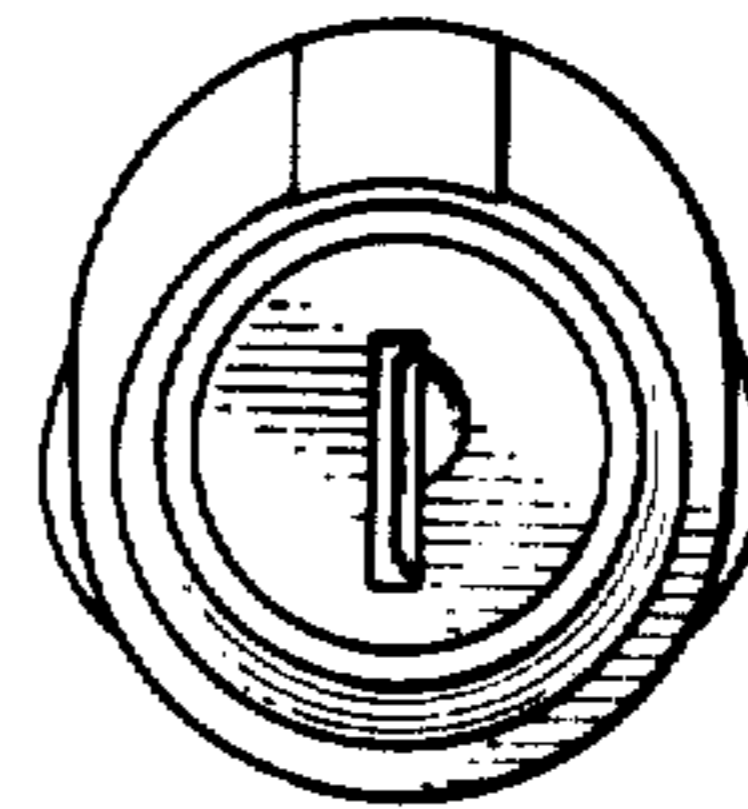
*FIG. 14.*



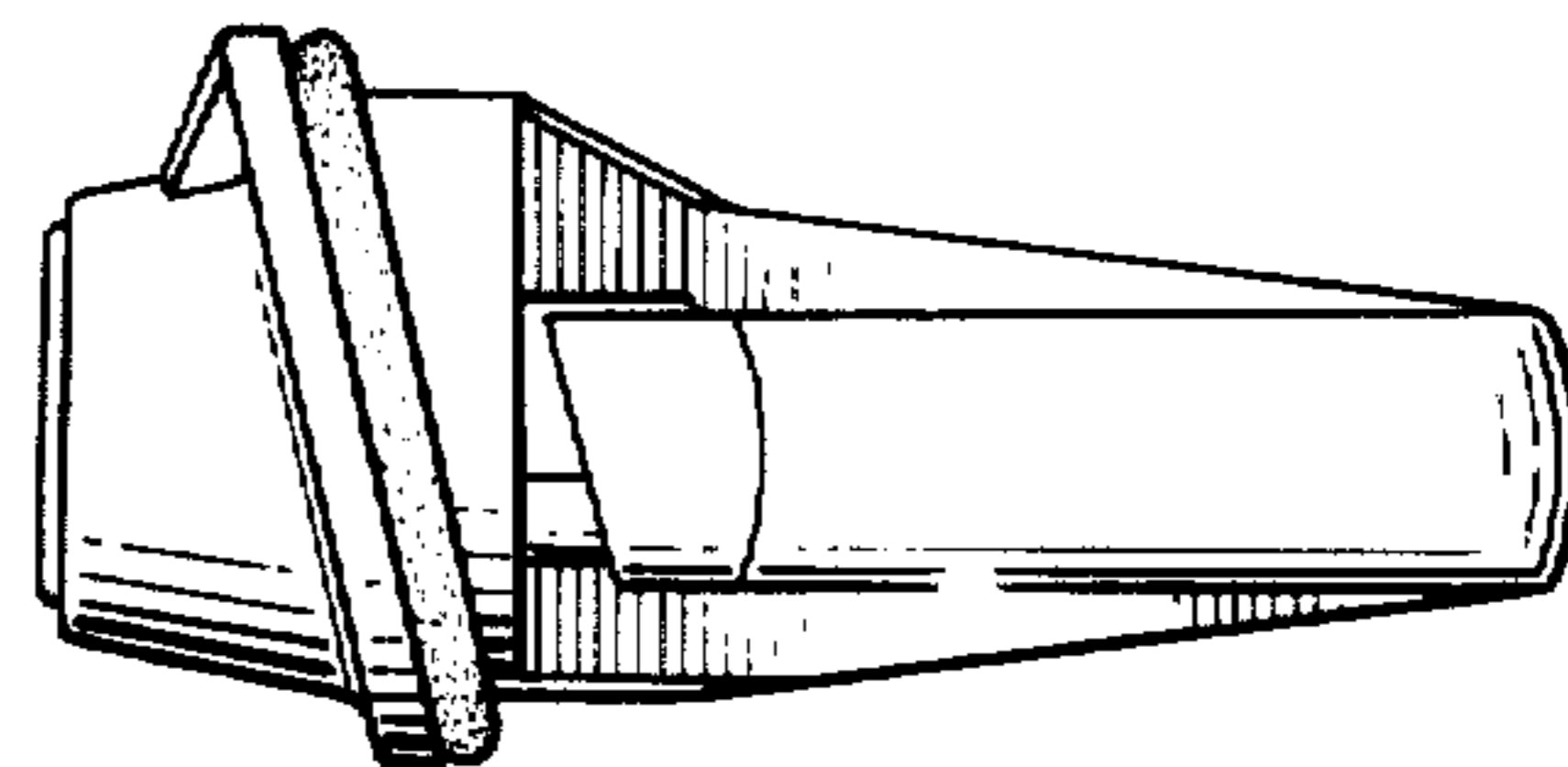
*FIG. 15.*



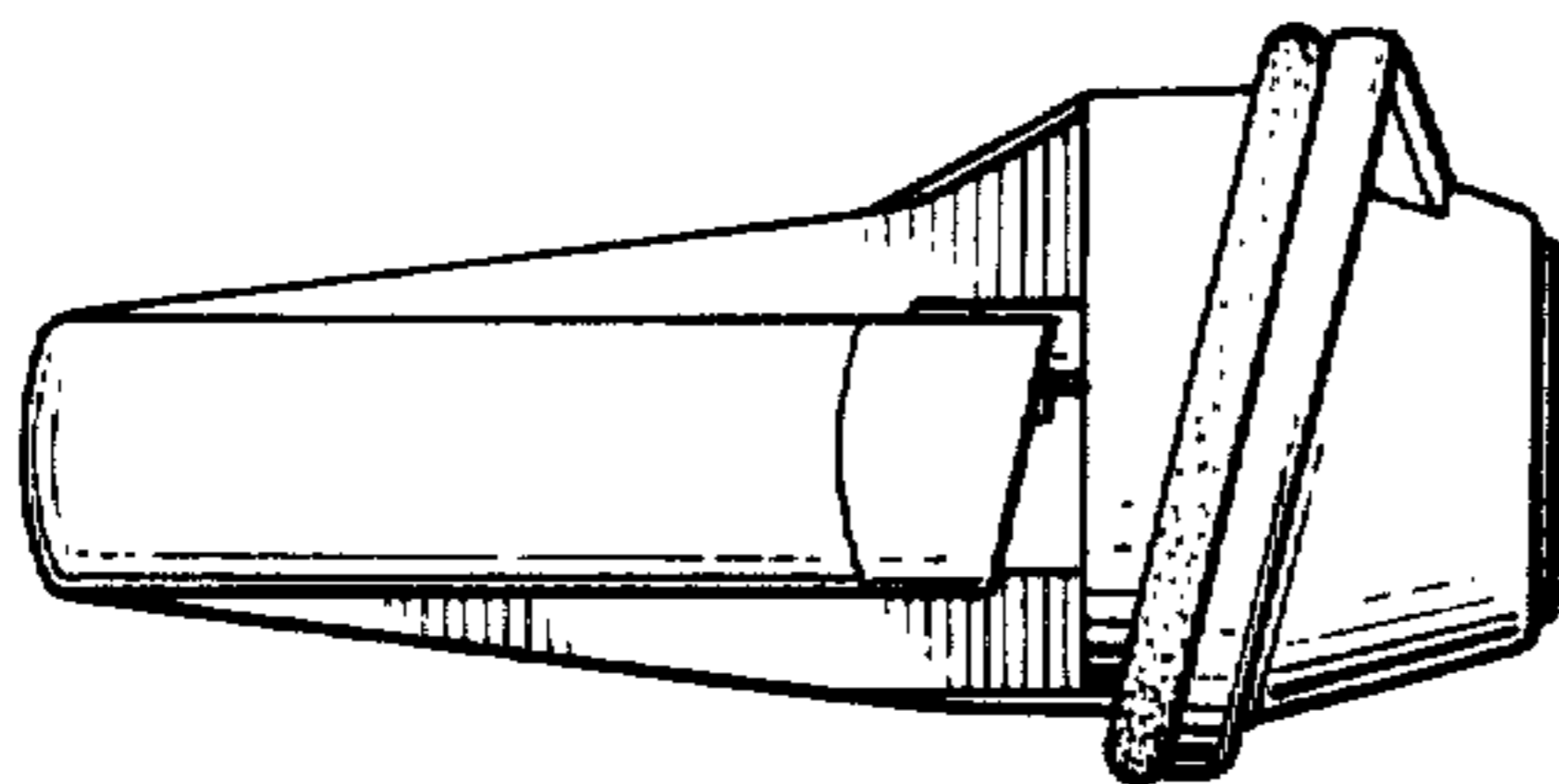
*FIG. 16.*



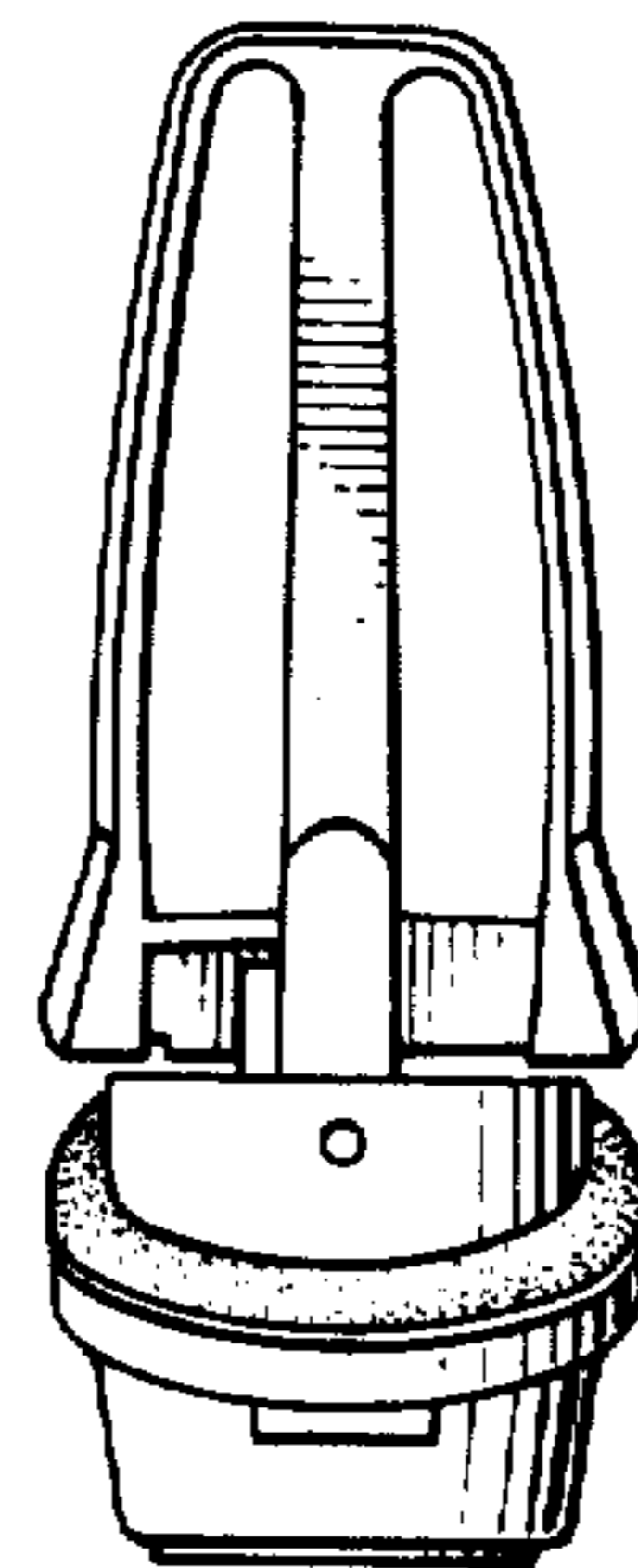
*FIG. 17.*



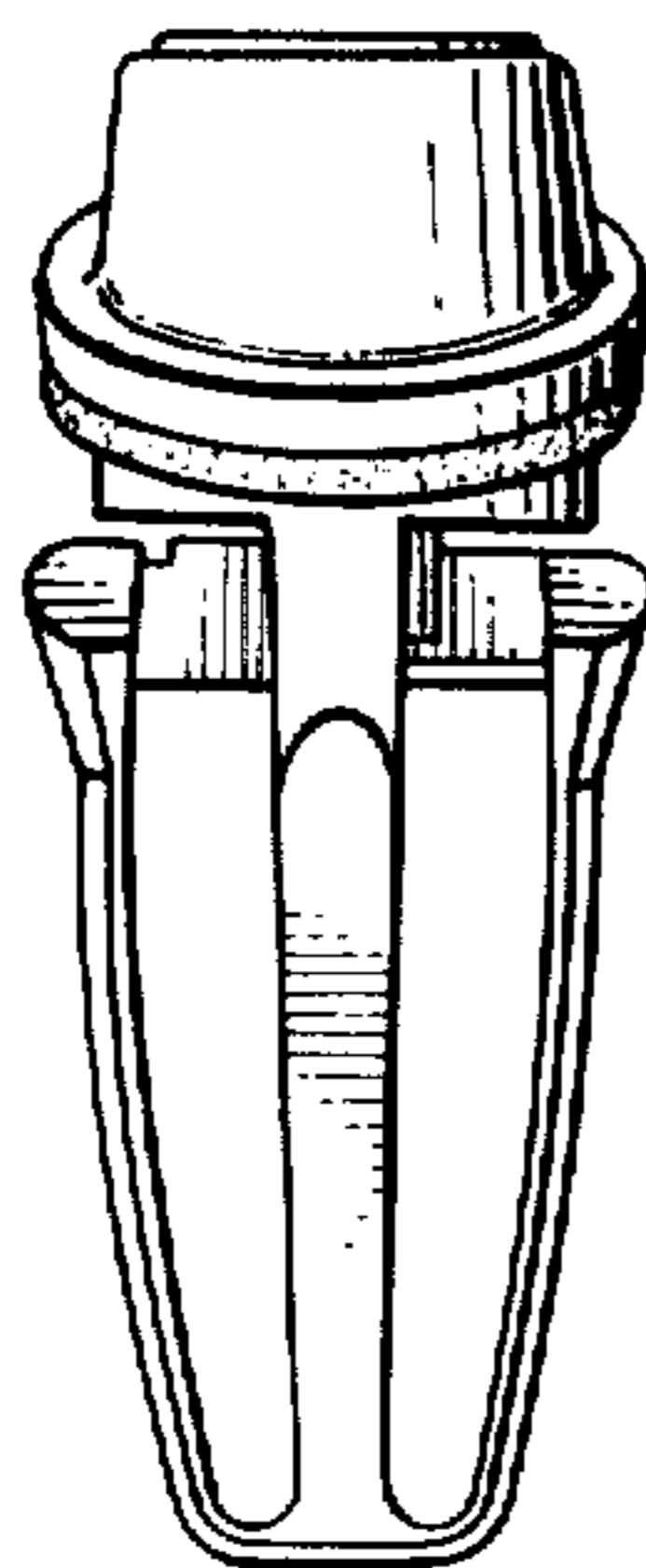
*FIG. 18.*



*FIG. 19.*



*FIG. 20.*



*FIG. 21.*

