

[54] CHAIN SAW

[75] Inventor: Masatoshi Sato, Tokyo, Japan

[73] Assignee: Kioritz Corporation, Tokyo, Japan

[**] Term: 14 Years

[21] Appl. No.: 150,950

[22] Filed: May 19, 1980

[30] Foreign Application Priority Data

Feb. 20, 1980 [JP] Japan 55-5768

[51] Int. Cl. D8-03

[52] U.S. Cl. D8/65

[58] Field of Search D8/65; 30/381, 382, 30/383, 384, 386, 387

[56] References Cited

U.S. PATENT DOCUMENTS

D. 213,939 4/1969 Burkett D8/65

OTHER PUBLICATIONS

Hardware Age, 8/75, p. 249, Homelite Chain Saw, bottom of page.

McCulloch Chain Saws 1973, p. 7, Power Mac 6 Automatic Chain Saw, bottom right side of page.

Primary Examiner—James M. Gandy

Attorney, Agent, or Firm—Norbert P. Holler; Charles A. Blank

[57] CLAIM

The ornamental design for a chain saw, as shown.

DESCRIPTION

FIG. 1 is a front and right side perspective view of a chain saw showing my new design,

FIG. 2 is a front elevational view,

FIG. 3 is a rear elevational view,

FIG. 4 is a left side elevational view and

FIG. 5 is a bottom plan view thereof.

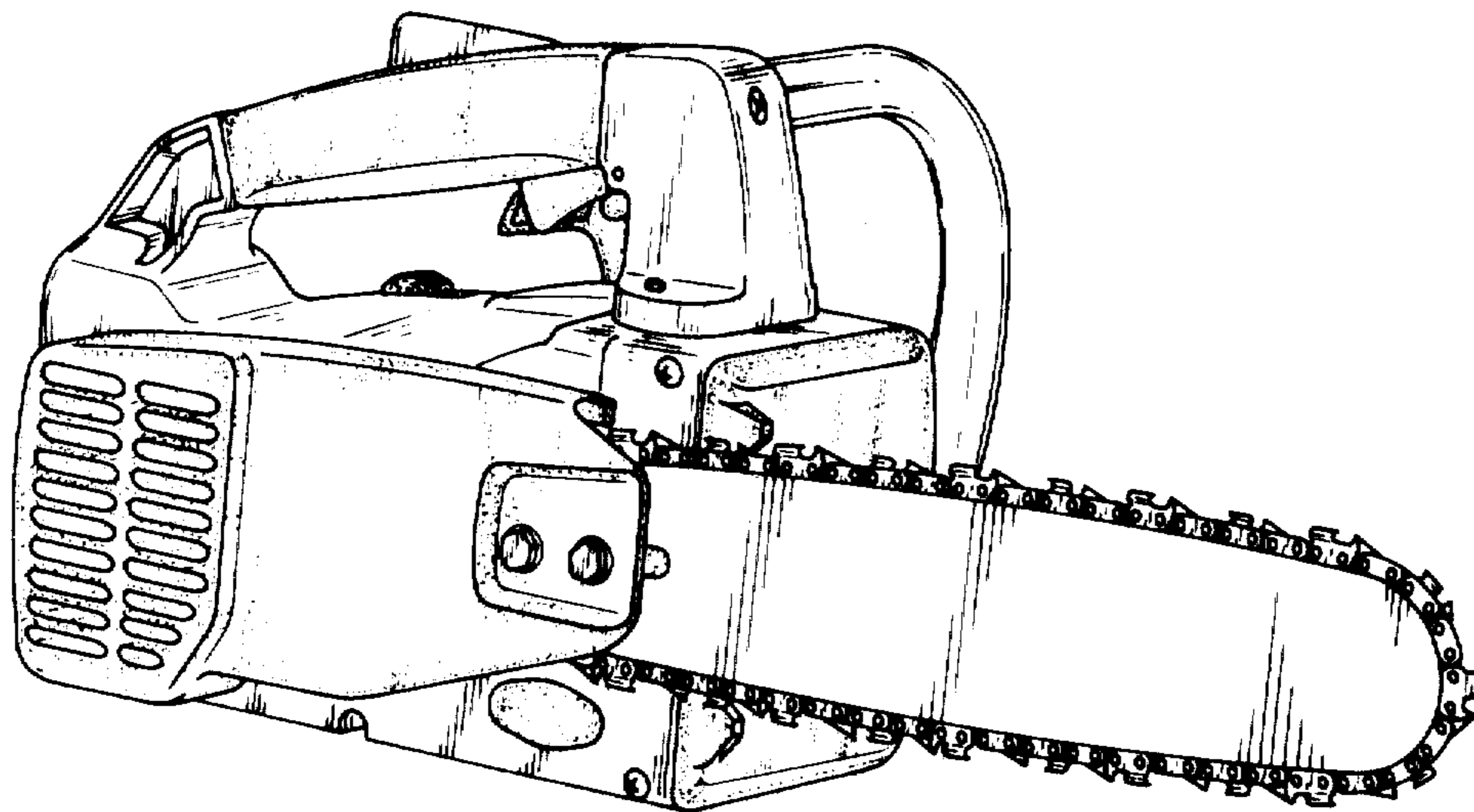


FIG. 1

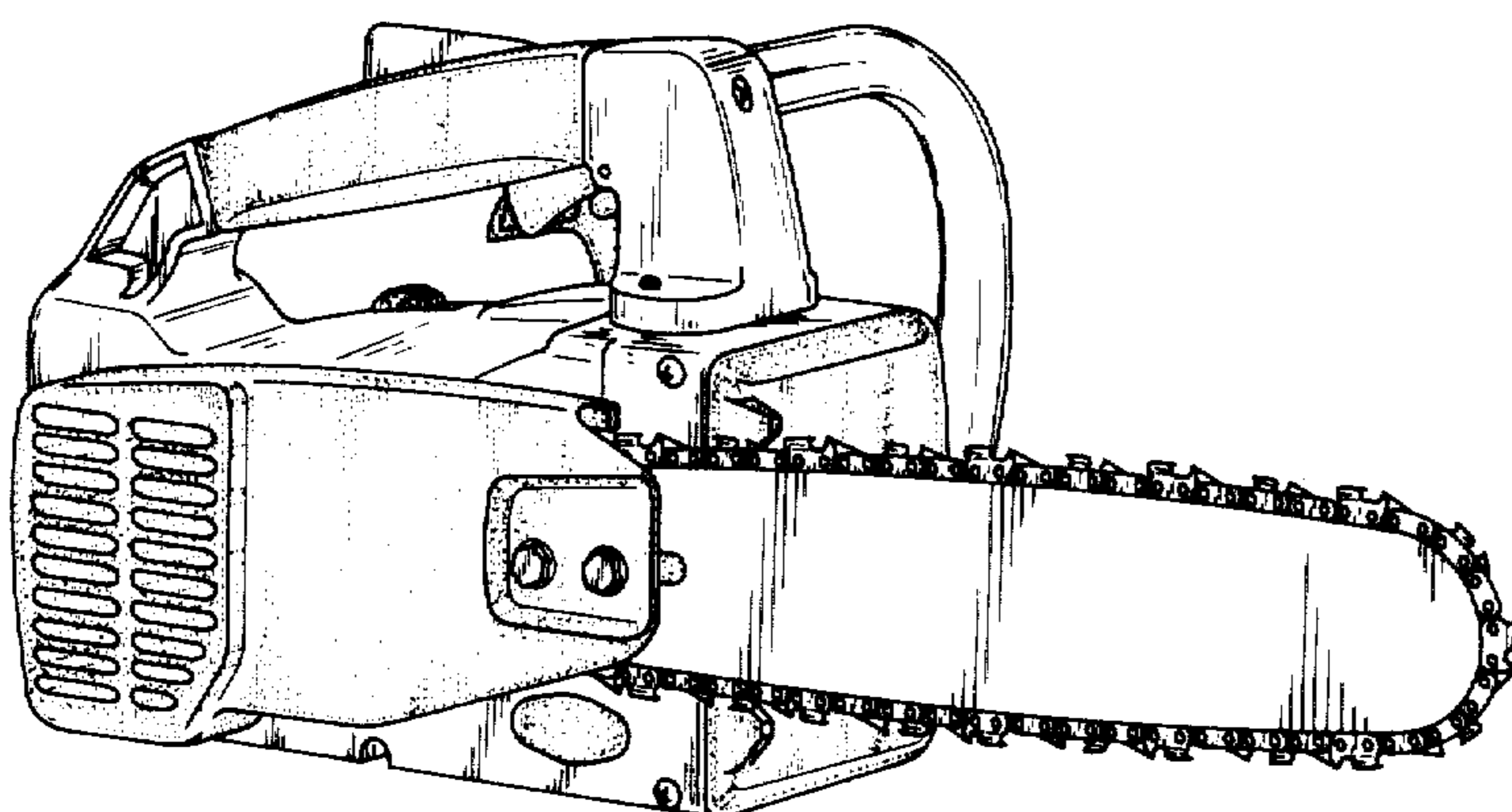


FIG. 2

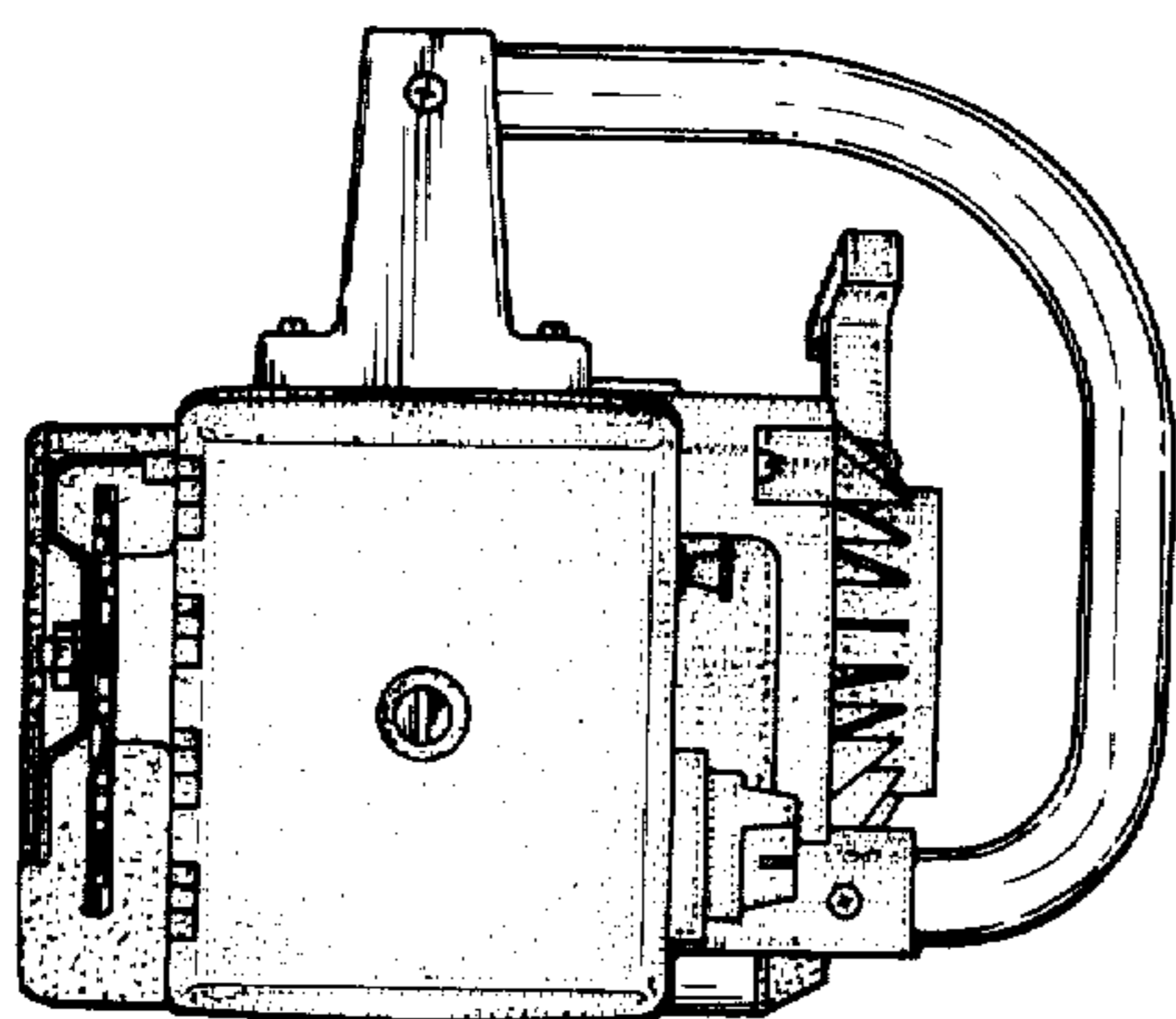


FIG. 3

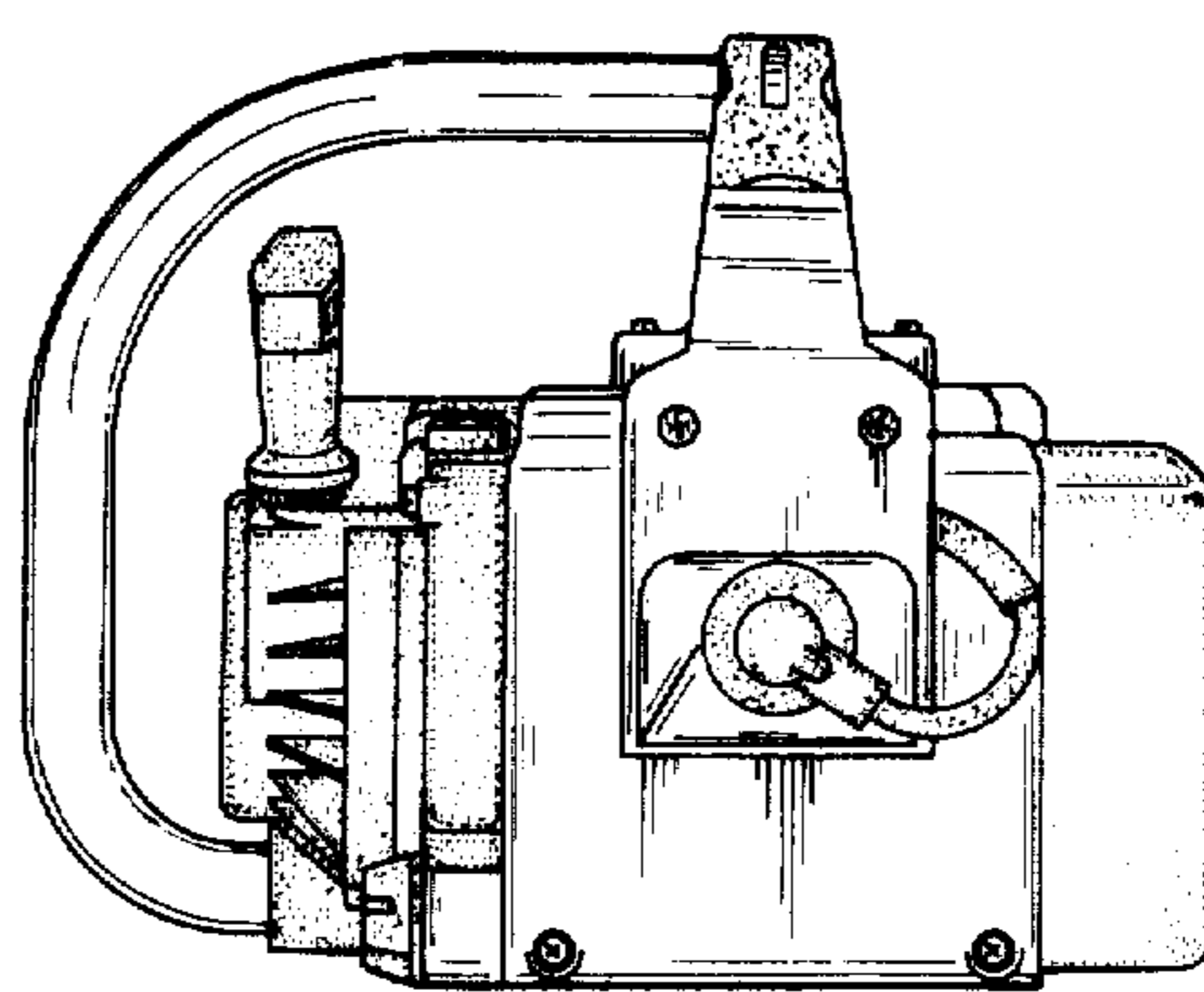


FIG. 4

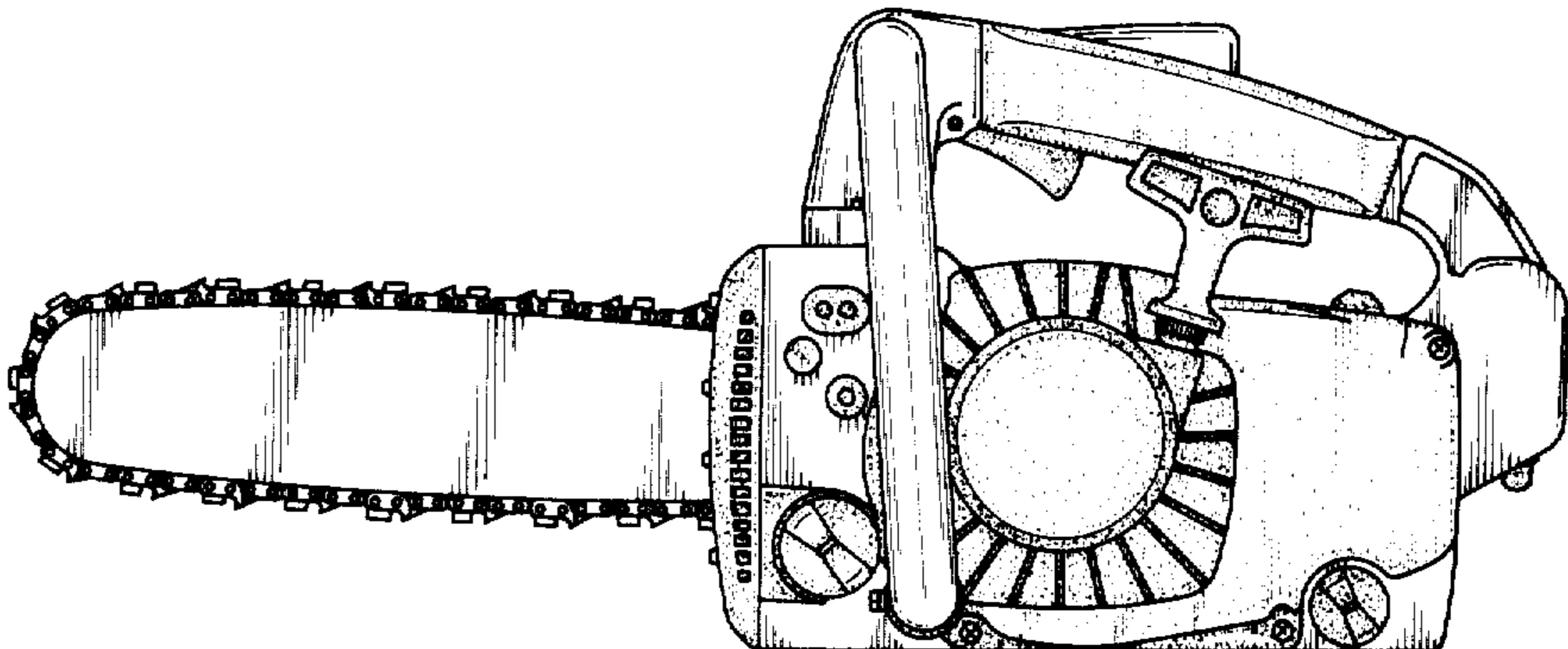


FIG. 5

