

[54] STAPLING PLIER

[75] Inventor: Michael Bass, North Plainfield, N.J.

[73] Assignee: The Bates Manufacturing Company, Hacketstown, N.J.

[**] Term: 14 Years

[21] Appl. No.: 203,129

[22] Filed: Nov. 3, 1980

[51] Int. Cl. D19-02

[52] U.S. Cl. D8/50; D8/52; D8/57

[58] Field of Search D8/48-50, D8/52, 57; 72/410; 227/144

[56] References Cited

U.S. PATENT DOCUMENTS

- 2,165,572 7/1939 Pankonin 227/144
- 3,331,233 7/1967 Ruskin D8/49

OTHER PUBLICATIONS

Bainbridge, Kimpton & Haupt, 1962, P. 385, item No. P22, P. 388, item No. 702.

Bates Mfg. Co. Flyer, 5/66, item No. H-50P.

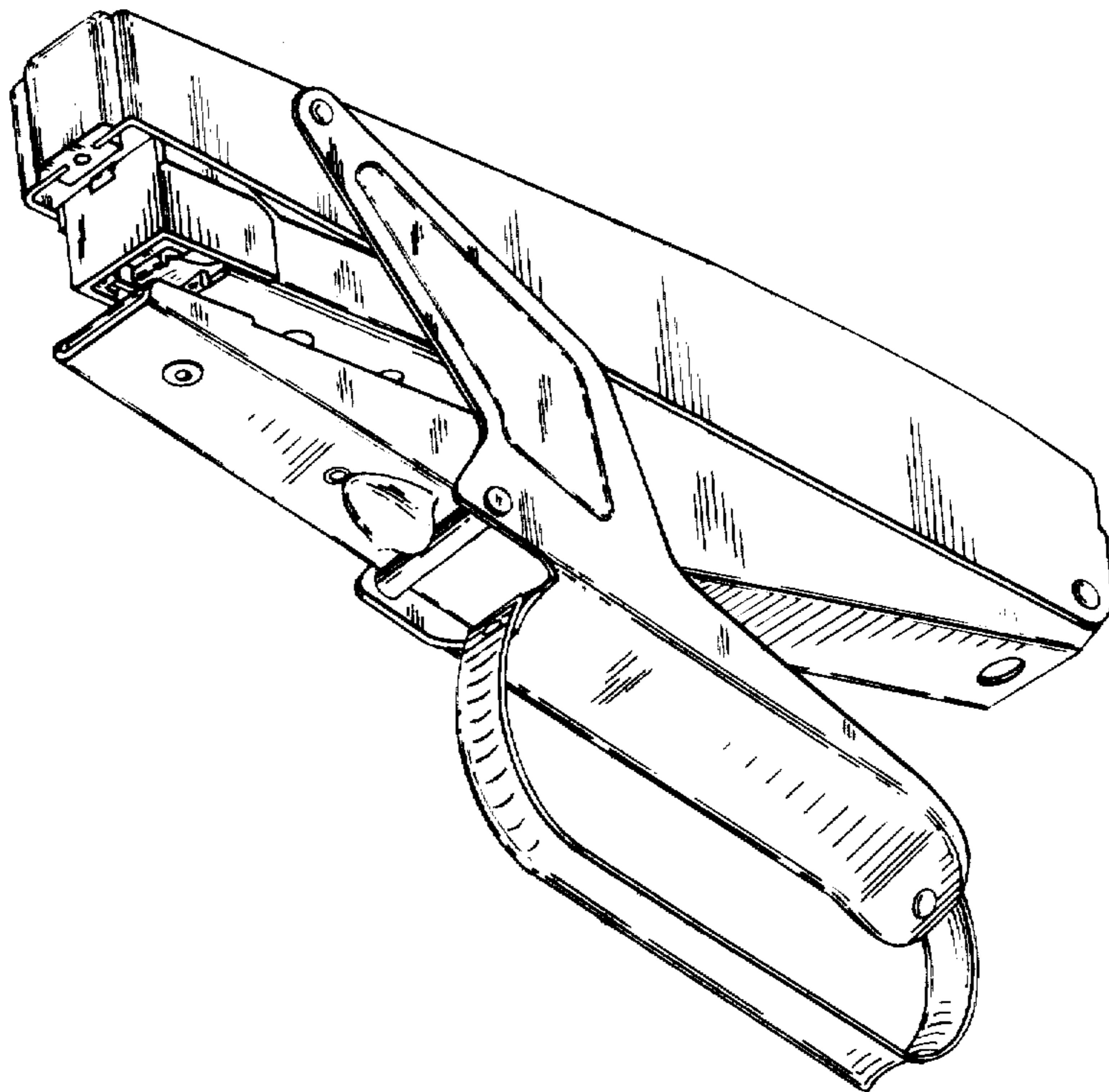
Primary Examiner—George P. Word
Attorney, Agent, or Firm—Weingram & Klauber

[57] CLAIM

The ornamental design for a stapling plier, as shown and described.

DESCRIPTION

FIG. 1 is a lower right front perspective view of a stapling plier showing my new design;
 FIG. 2 is a front elevational view thereof;
 FIG. 3 is a rear elevational view thereof;
 FIG. 4 is a left side elevational view thereof which is a mirror image of the right side;
 FIG. 5 is the bottom plan view thereof.
 FIG. 6 is the top plan view thereof.



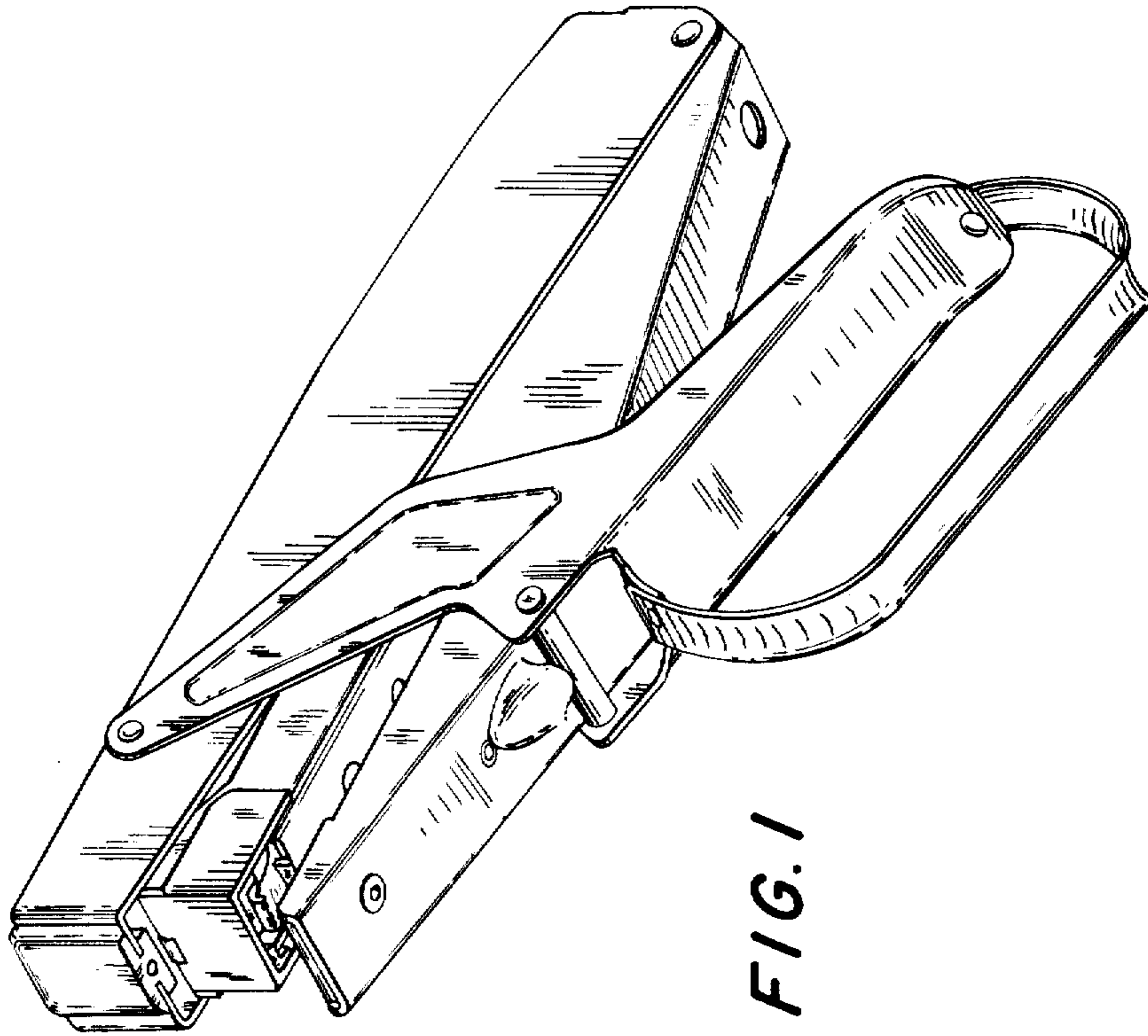


FIG. 1

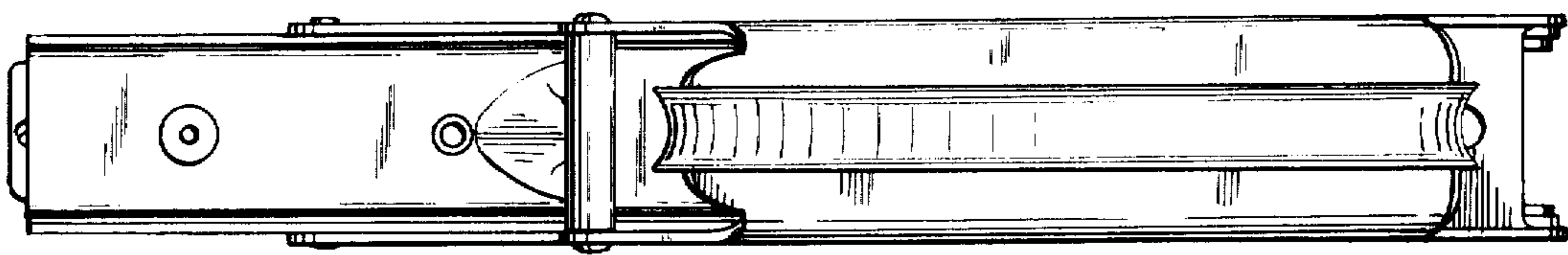


FIG. 5

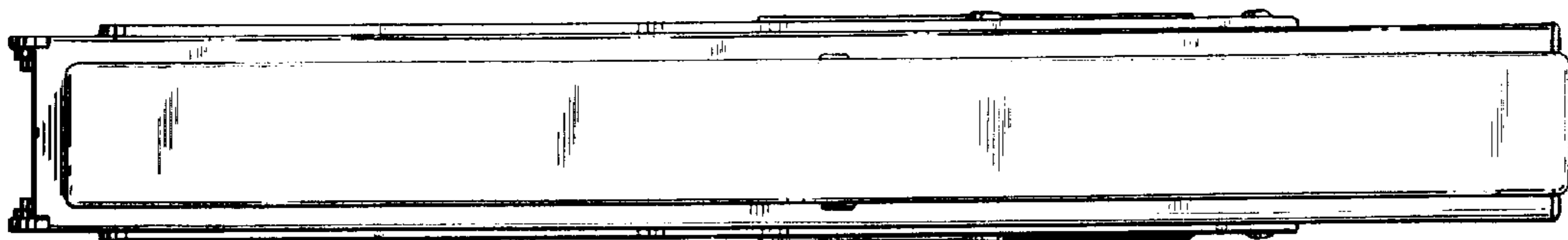


FIG. 6

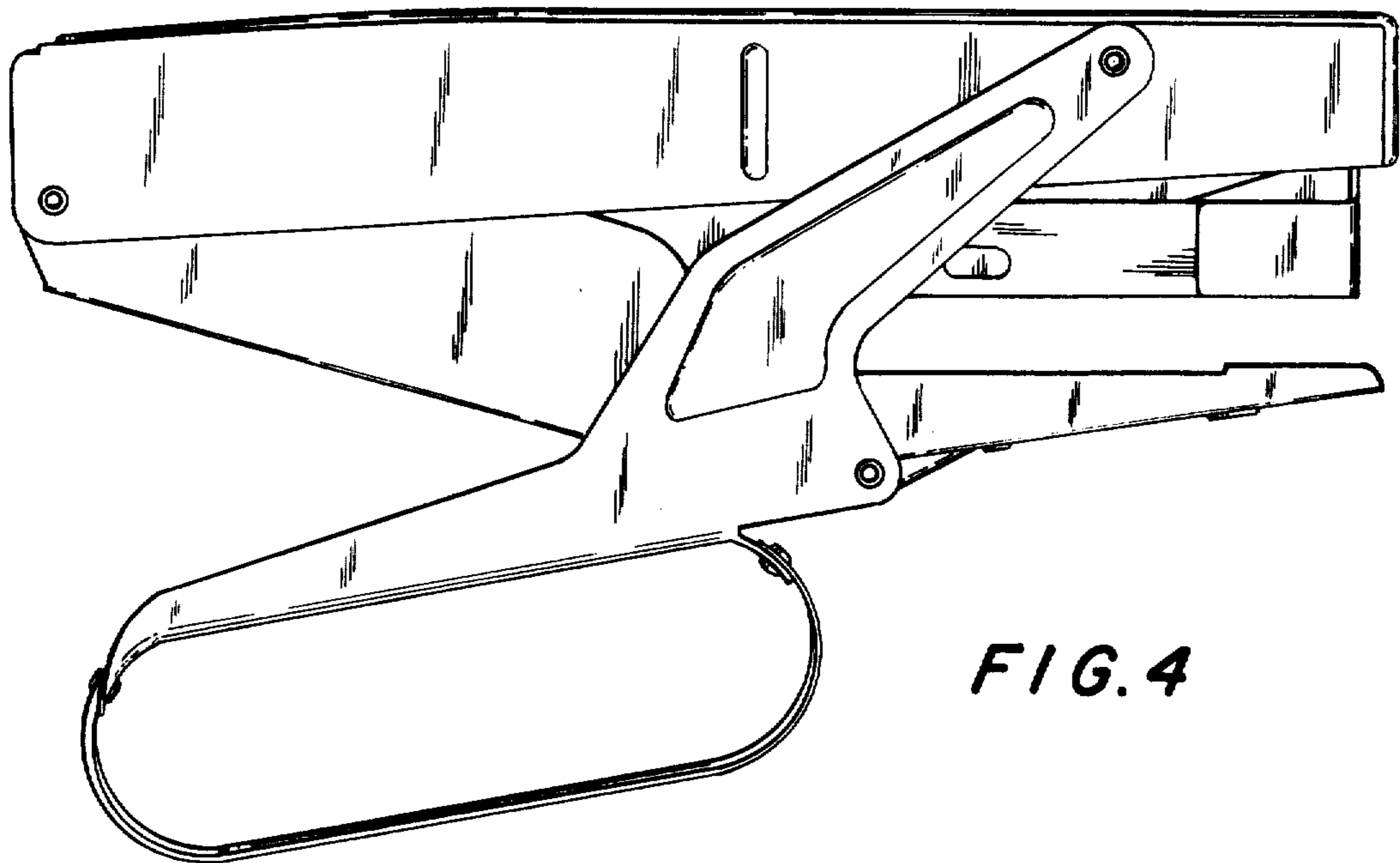


FIG. 4

FIG. 3

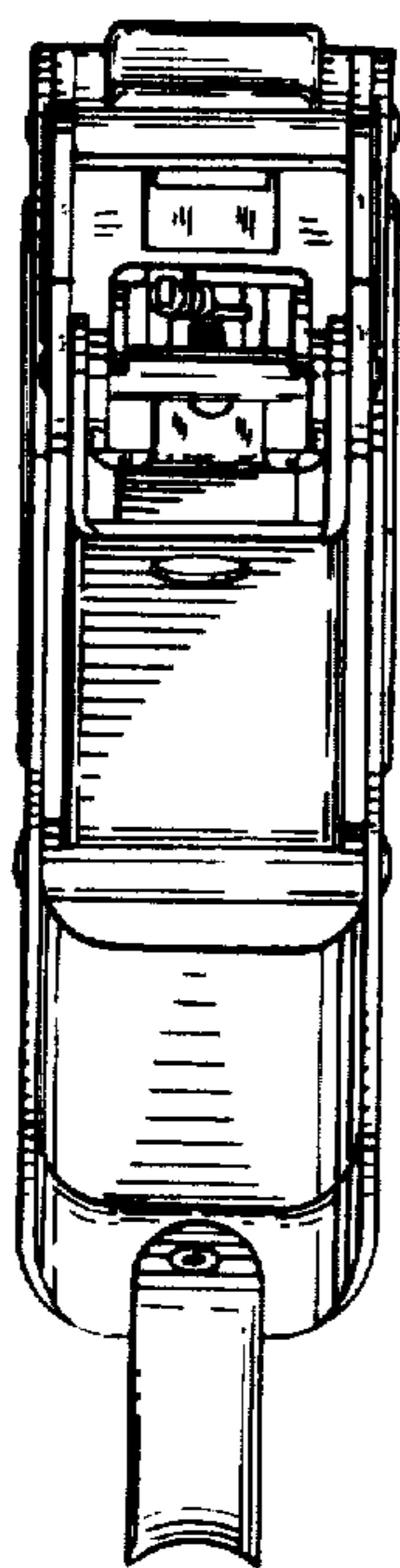


FIG. 2

