

[54] **COMBINATION GUARD AND GRATE THEREFOR**

[75] Inventor: **Robert E. Haggard**, Everett, Wash.

[73] Assignee: **Merry Haggard**, Snohomish, Wash.

[\*\*] Term: **14 Years**

[21] Appl. No.: **158,937**

[22] Filed: **Jun. 12, 1980**

[51] Int. Cl. .... **D8-01**

[52] U.S. Cl. .... **D8/01; D25/38; D25/71; D25/90; D25/91**

[58] Field of Search ..... **47/25, 23; D25/71, 87, D25/90, 91, 38; D8/1**

[56] **References Cited**

**U.S. PATENT DOCUMENTS**

D. 218,907	10/1970	Maxwell	.....	D8/1
749,522	1/1904	Billy et al.	.....	47/23
801,325	10/1905	Lichtfeldt	.....	47/23
3,305,969	2/1967	Mattson	.....	D8/1 X

**FOREIGN PATENT DOCUMENTS**

2517949	10/1976	Fed. Rep. of Germany	.....	47/25
13653	of 1911	United Kingdom	.....	47/23

**OTHER PUBLICATIONS**

1978 Sweet's Catalog File, Section 2.30/NE, p. 278, Tree Grate, Item R-8611, 180° Square, p. 279, Tree Grate, Item R-8614, 90°, Rectangular, p. 284, Tree Grate, Item R-8626, 180°, Round.  
1978 Sweet's Catalog File, Section 2.30/NE, p.292, Combined Tree Guard and Grate.

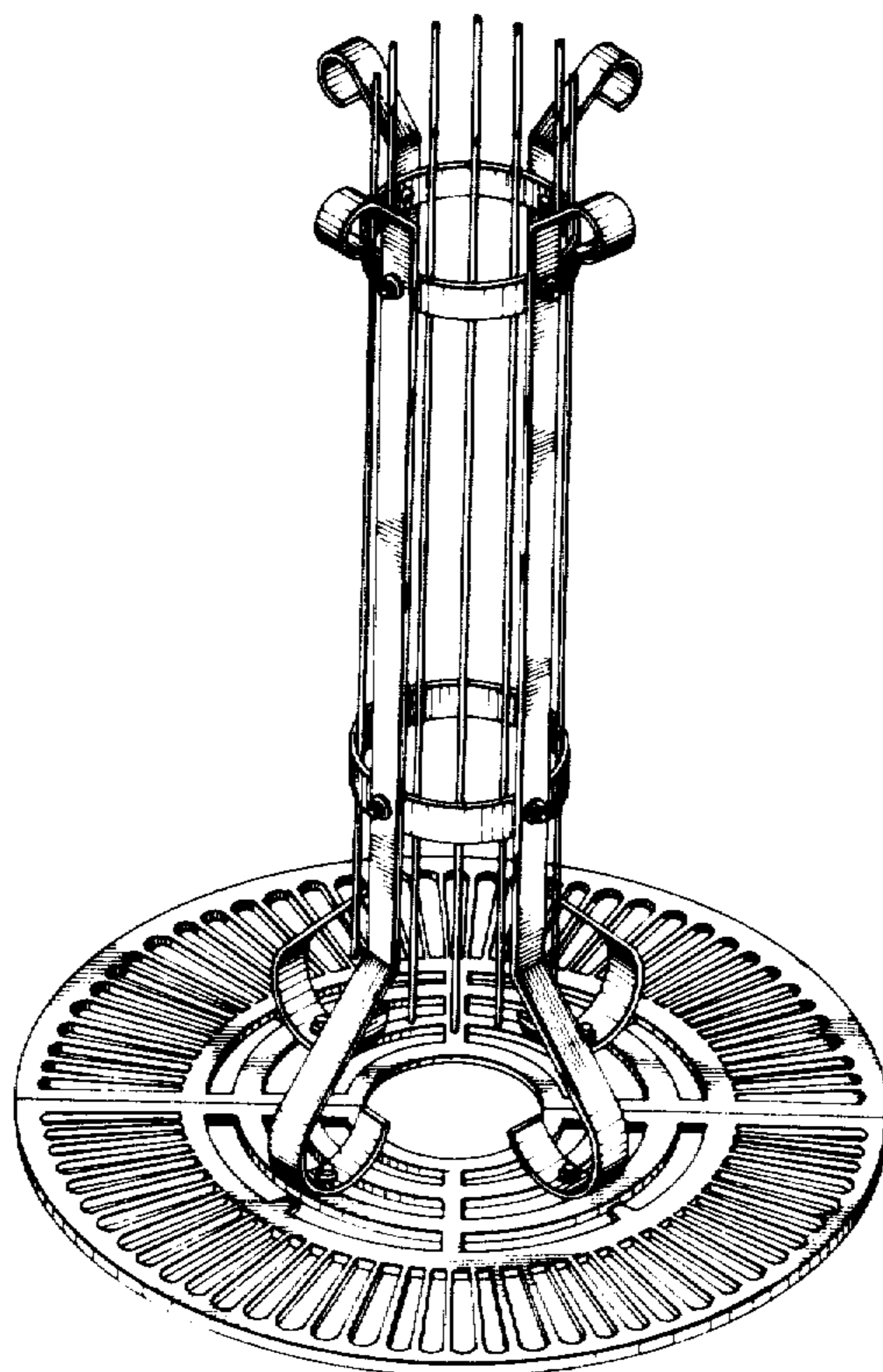
*Primary Examiner*—Bernard Ansher  
*Attorney, Agent, or Firm*—Ward Brown; Robert W. Beach

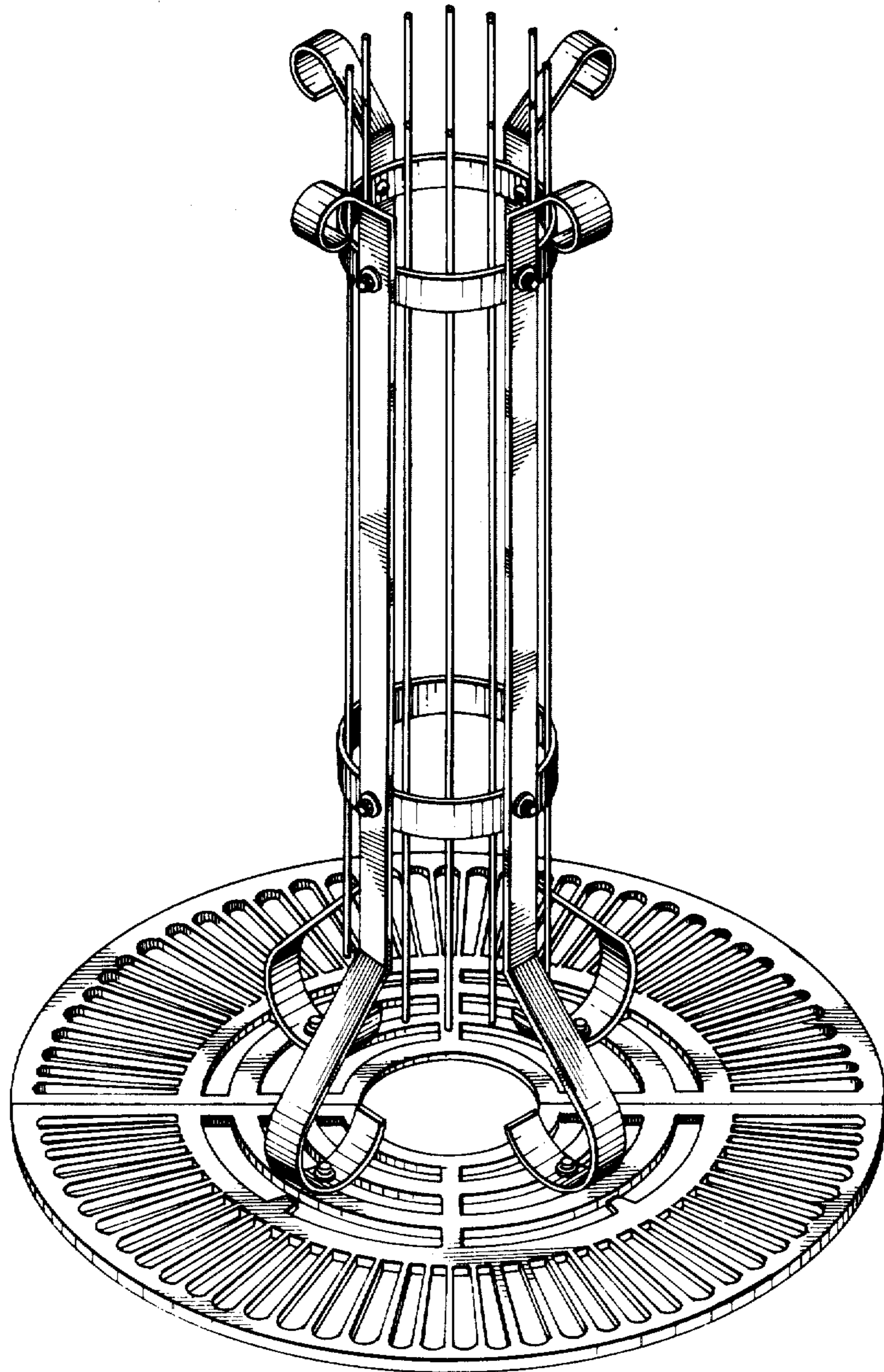
[57] **CLAIM**

The ornamental design for a combination guard and grate therefor, substantially as shown and described.

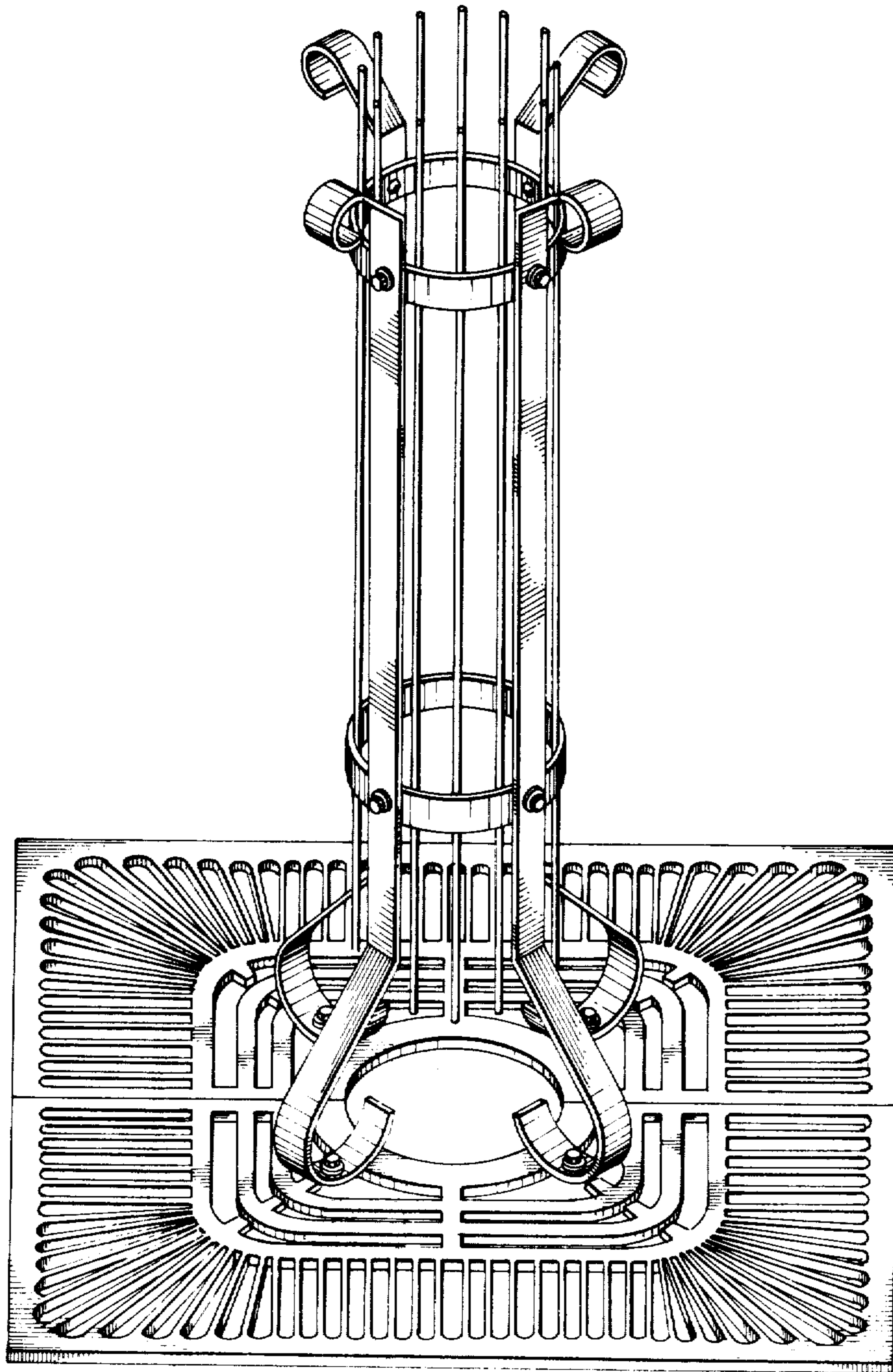
**DESCRIPTION**

FIG. 1 is a top perspective view of a combination guard and grate therefor showing my new design; and FIG. 2 is a top perspective view of a second embodiment of my new design.





*Fig. 1*



*Fig. 2*