

[54] COMBINED COOKING AND/OR CARVING RACK FOR MEAT OR THE LIKE

[75] Inventor: William T. Pomeroy, Jr., East Liverpool, Ohio

[73] Assignee: The Sterling China Company, East Liverpool, Ohio

[\*\*] Term: 14 Years

[21] Appl. No.: 234,984

[22] Filed: Feb. 17, 1981

[51] Int. Cl. .... D07-04; D07-02

[52] U.S. Cl. .... D7/70; D7/388; 248/346

[58] Field of Search ..... D7/130, 129, 41, 39, D7/45, 70, 96; 17/44, 44.3; 248/346; 269/54.5

[56] References Cited

U.S. PATENT DOCUMENTS

D. 258,869	4/1981	Firanzi	.....	D9/456
361,742	4/1887	Bennett	.....	248/346 X
628,546	7/1899	Patterson	.....	17/44.3 X
2,584,295	2/1952	Sanzenbacher	.....	248/346 X
2,881,502	4/1959	Dopera	.....	248/346 X

Primary Examiner—Winifred E. Herrmann  
Attorney, Agent, or Firm—Woodling, Krost & Rust

[57] CLAIM

The ornamental design for a combined cooking and/or carving rack for meat or the like, as shown and described.

DESCRIPTION

FIG. 1 is a top plan view of a combined cooking and/or carving rack for meat or the like showing my new design;

FIG. 2 is a side view thereof looking in the direction of the arrows 2—2 of FIG. 1;

FIG. 3 is a side view thereof looking in the direction of the arrows 3—3 of FIG. 1;

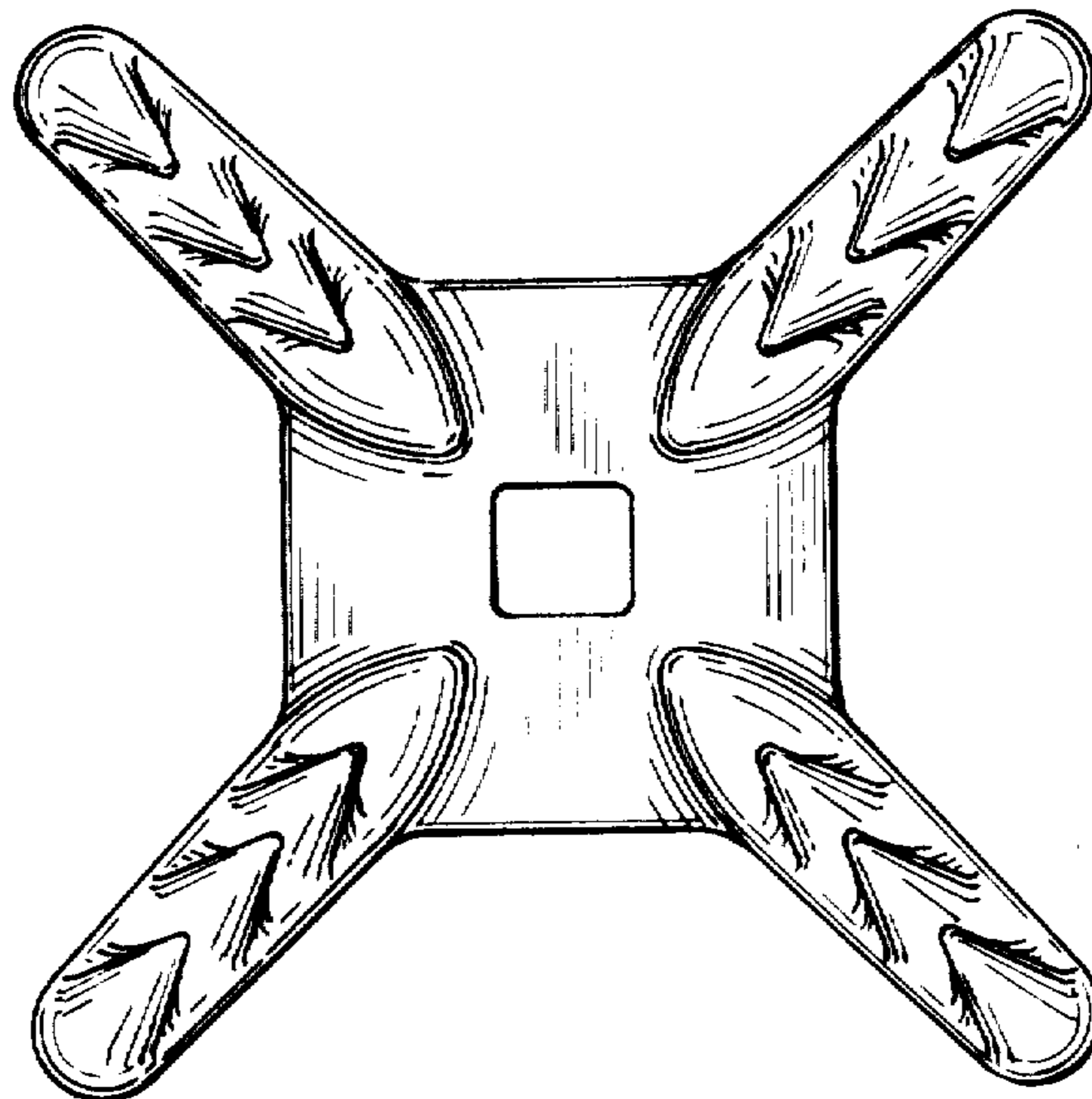
FIG. 4 is a bottom plan view thereof looking in the direction of the arrows 4—4 of FIG. 3;

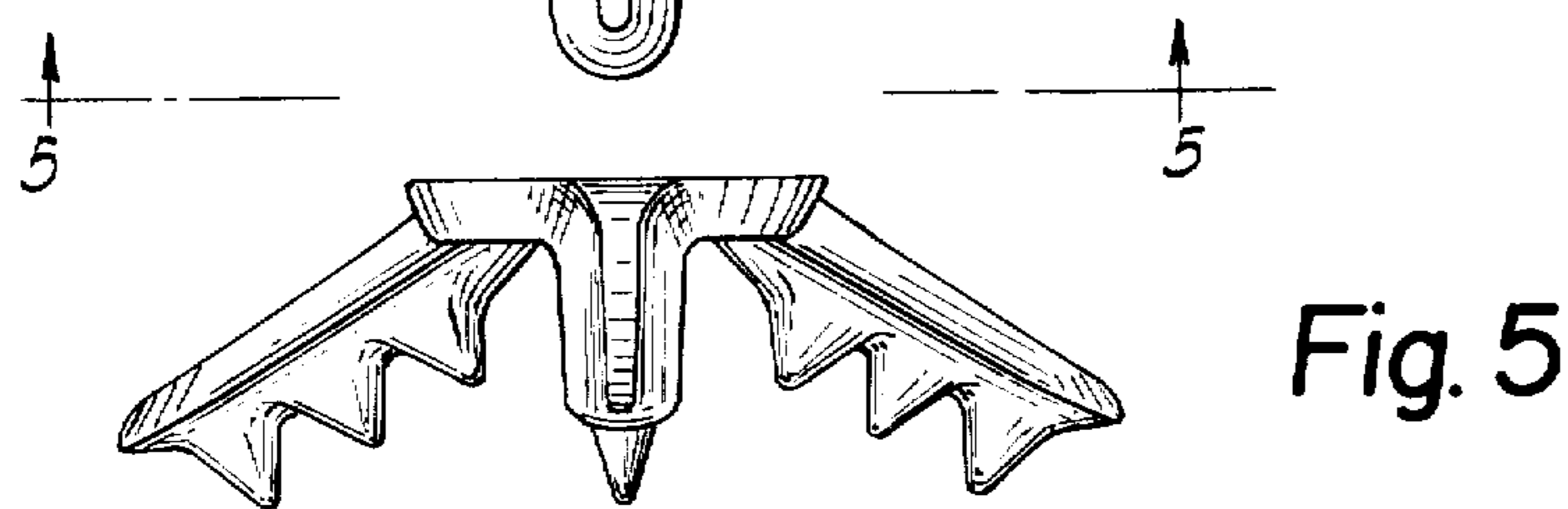
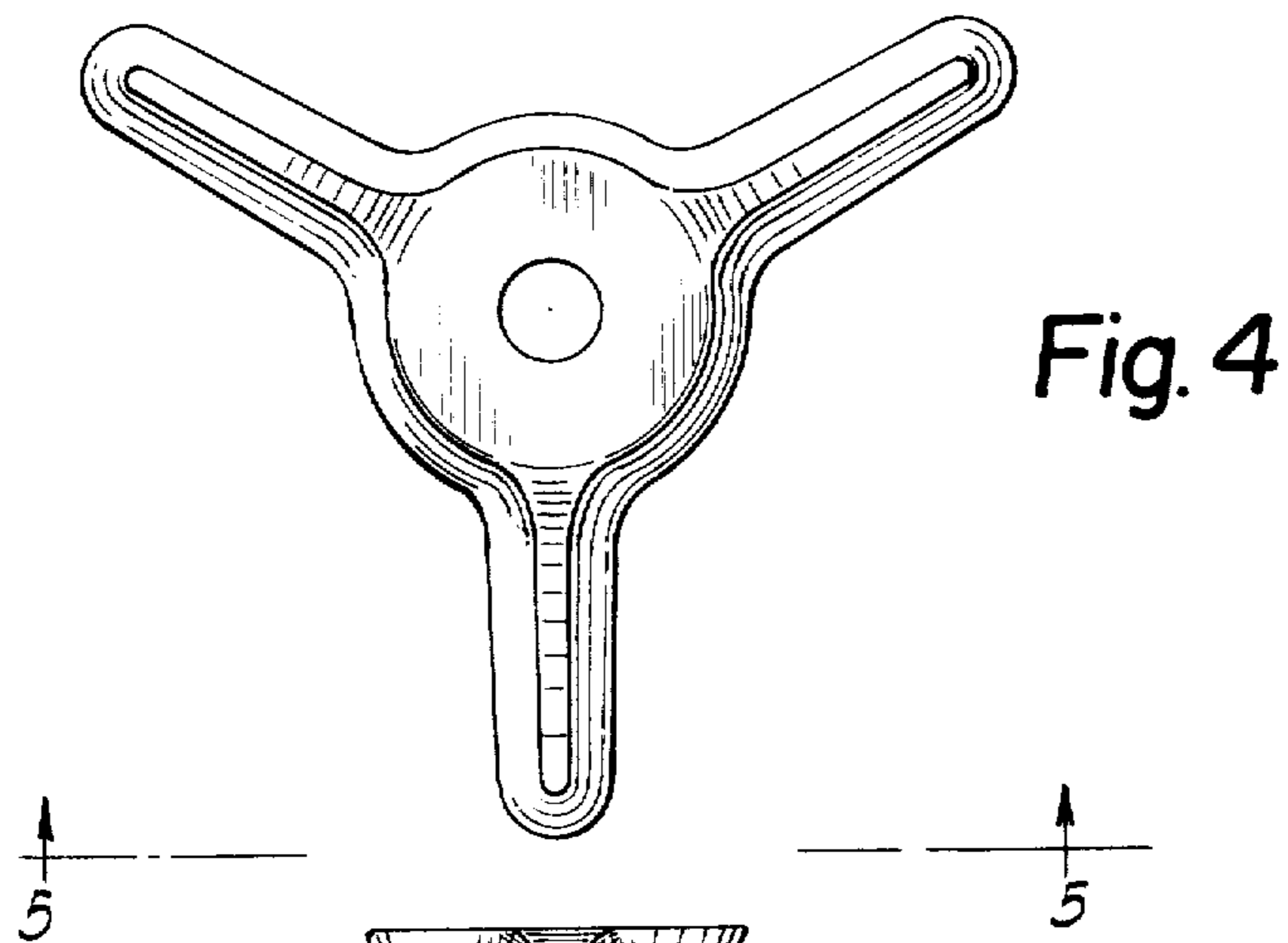
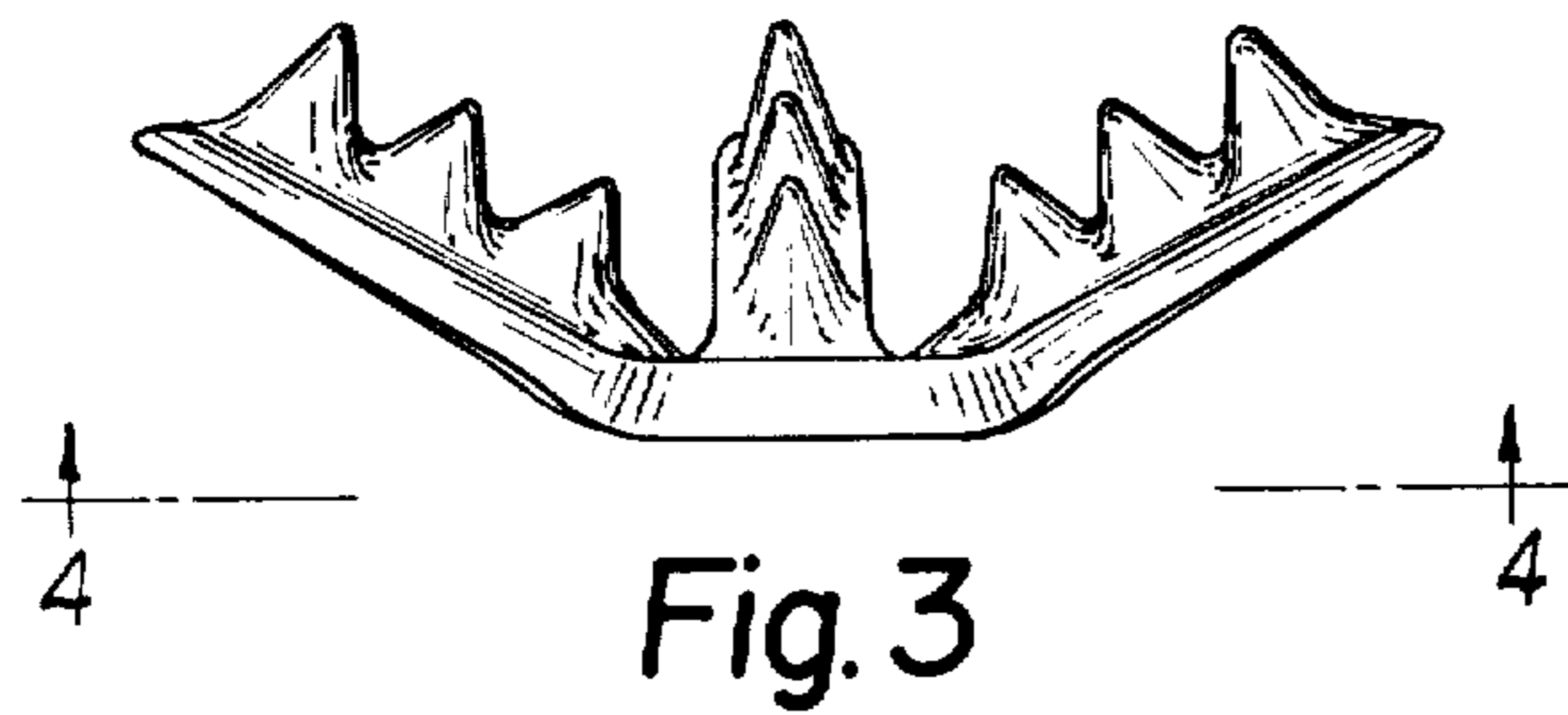
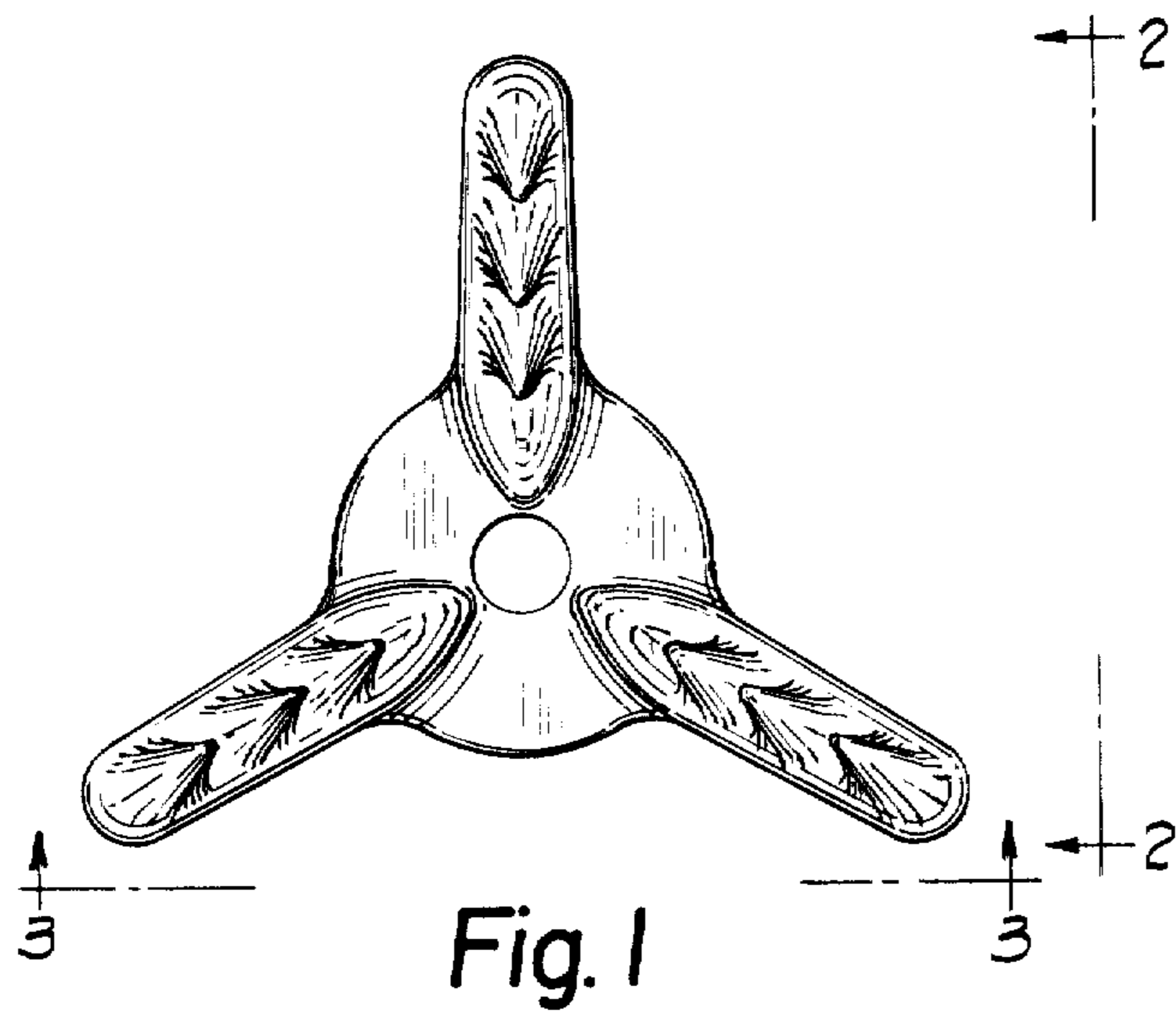
FIG. 5 is a side view thereof in an inverted position looking in the direction of the arrows 5—5 of FIG. 4;

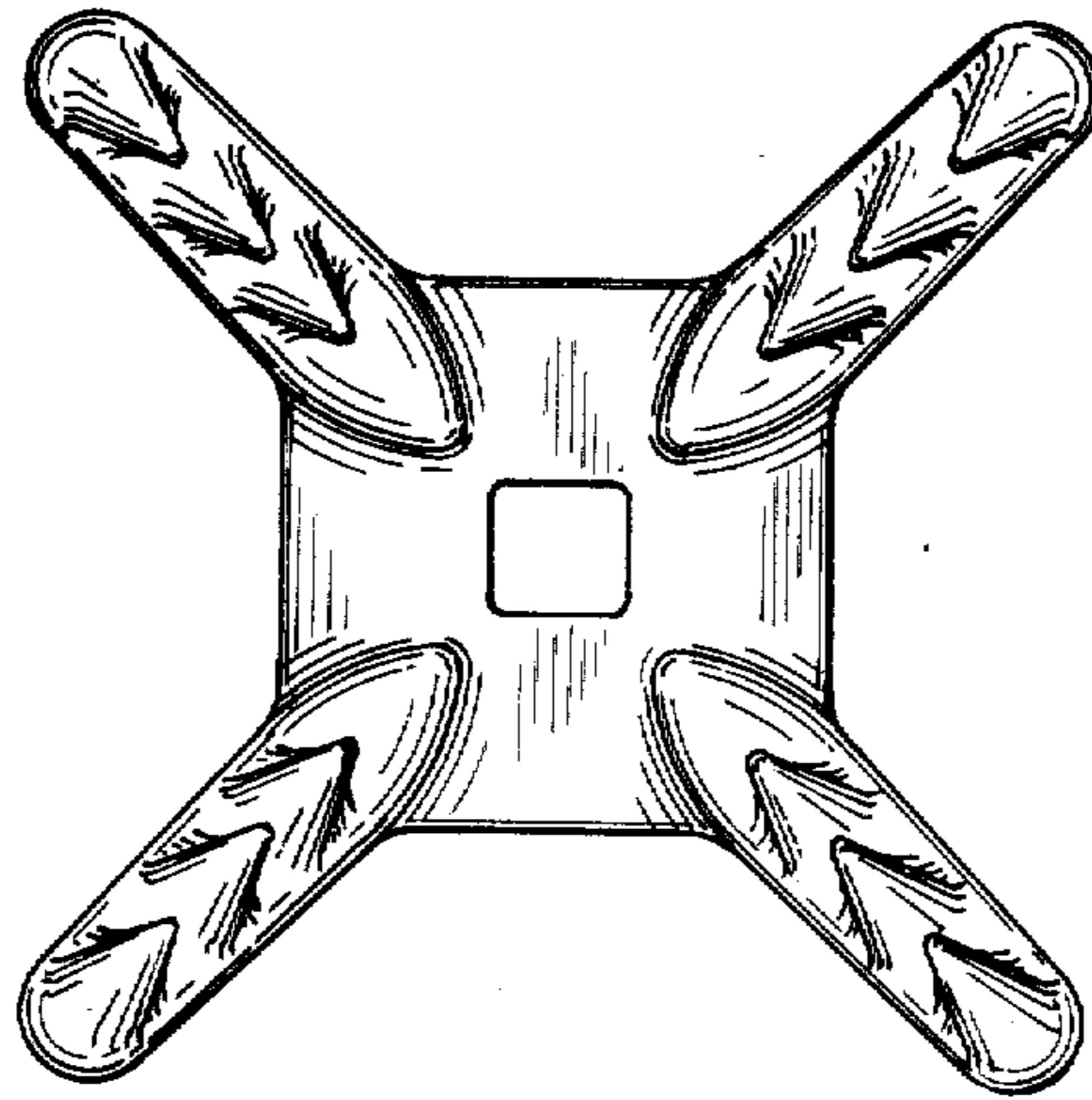
FIG. 6 is a top plan view of a modification of my new design for a combined cooking and/or carving rack for meat or the like;

FIG. 7 is a side view of FIG. 6, the other side views are similar thereto; and

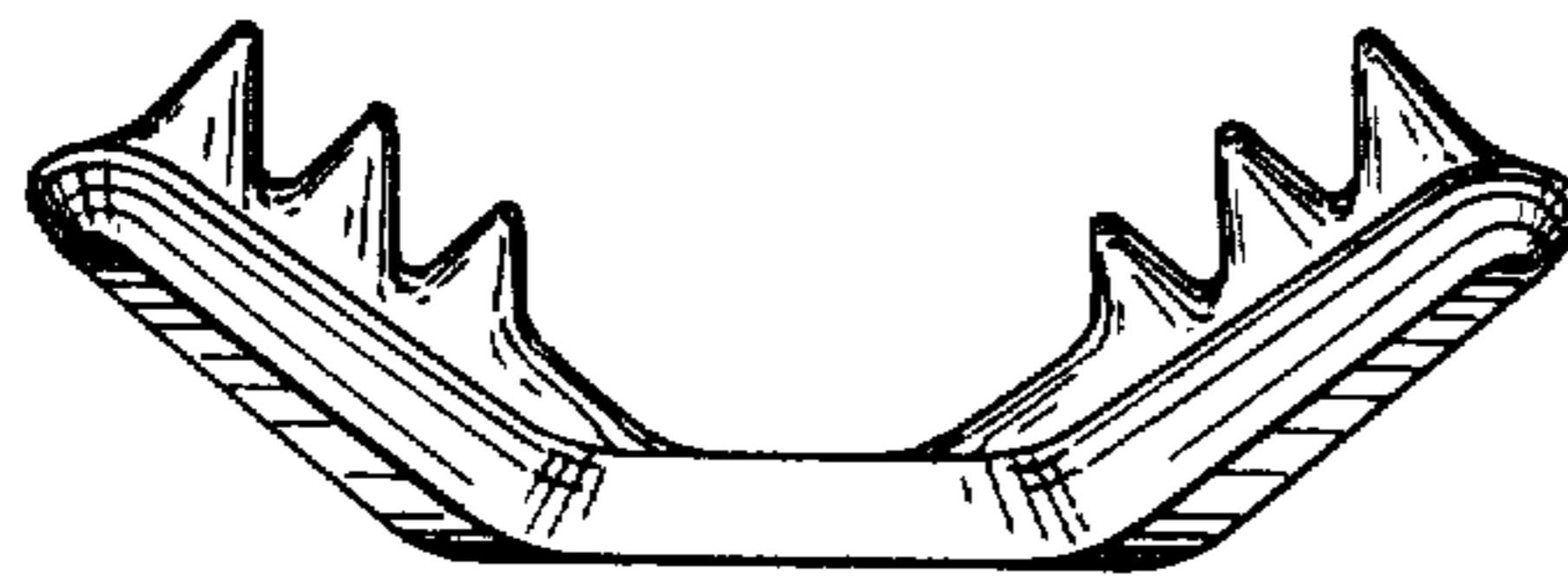
FIG. 8 is a bottom plan view of FIG. 6.



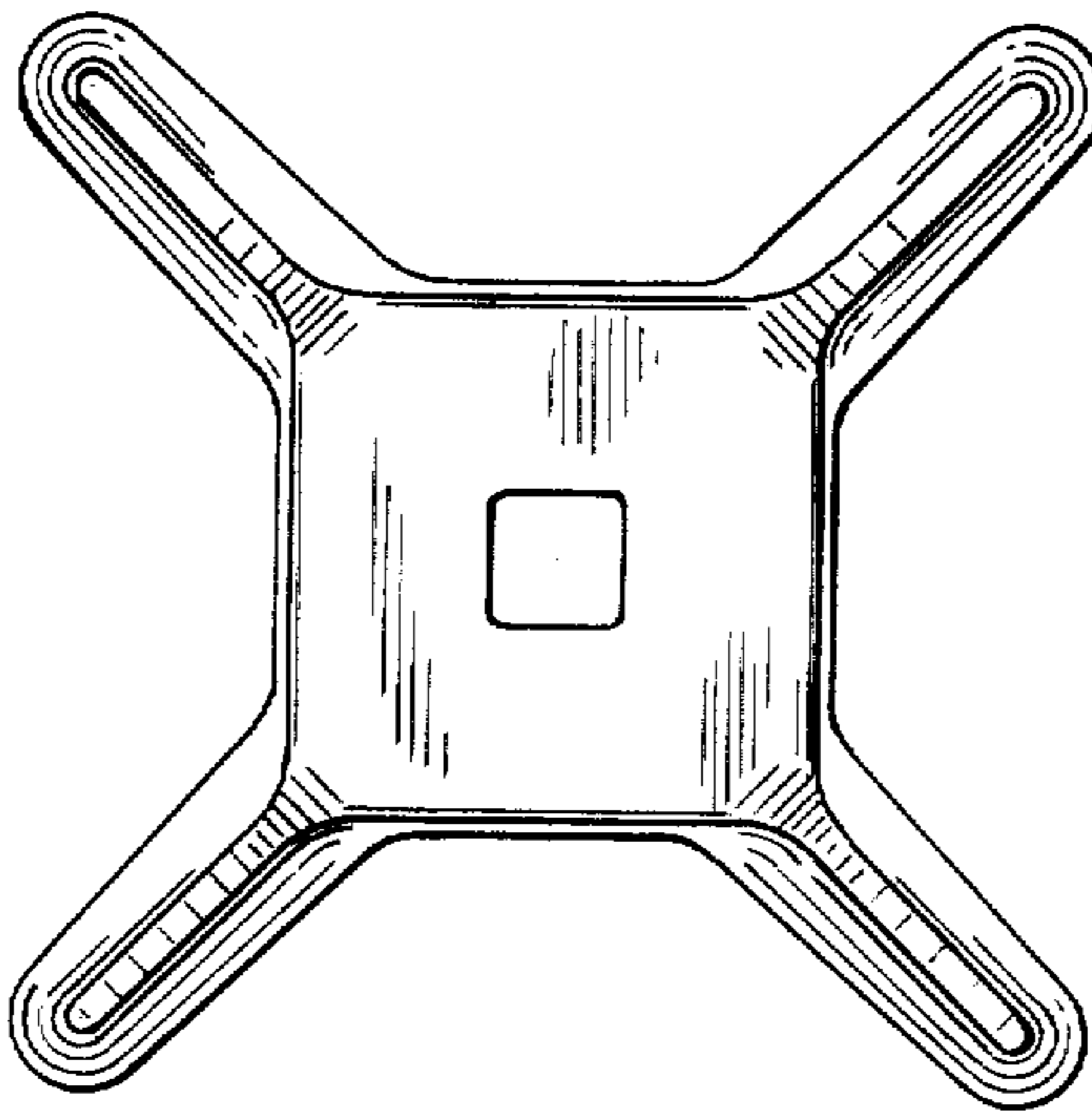




*Fig. 6*



*Fig. 7*



*Fig. 8*