

[54] BED MAKING TOOL

[76] Inventor: Will Schaeffer, 802 W. Rozelle St.,
Rogers, Ark. 72756

[**] Term: 14 Years

[21] Appl. No.: 162,186

[22] Filed: Jun. 23, 1980

[51] Int. Cl. D8-05

[52] U.S. Cl. D6/292; D8/14

[58] Field of Search D6/292; D8/14; D32/35;
81/3 R, 1 R; 7/169, 170; 5/498, 488, 508; 294/1
R, 2, 17, 25, 26

[56] References Cited

U.S. PATENT DOCUMENTS

D. 194,596 2/1963 Reid D6/292

D. 246,345	11/1977	Poncia	D8/14
2,281,736	5/1942	Wittenburg	81/1 R
2,774,178	12/1956	Nelson	81/3 R
3,048,139	8/1962	Duckett	294/17 X
3,551,016	12/1970	Hooper	7/169 X

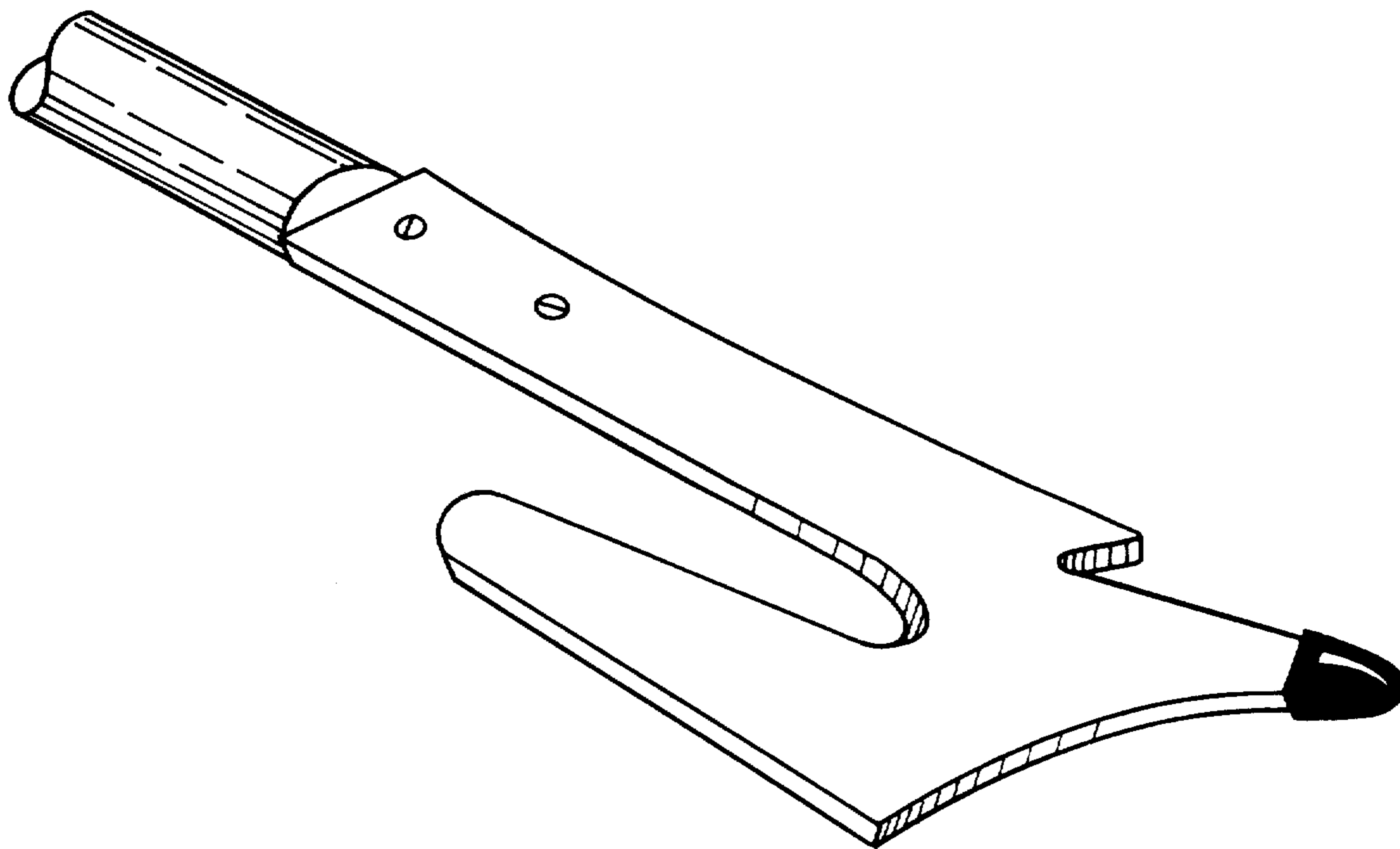
Primary Examiner—Catherine E. Kemper
Attorney, Agent, or Firm—Robert R. Keegan

[57] CLAIM

The ornamental design for a bed making tool, as shown and described.

DESCRIPTION

FIG. 1 is a top plan view of a bed making tool showing my new design;
FIG. 2 is a side elevational view thereof;
FIG. 3 is an end elevational view thereof; and
FIG. 4 is an enlarged perspective view of the head portion thereof.



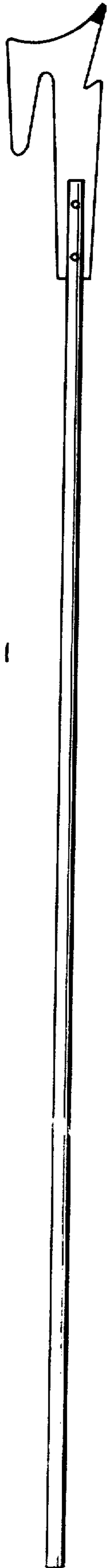


FIG. 1



FIG. 2



FIG. 3

FIG. 4

