

[54] **BULK CANDY DISPLAY CASE**

[76] Inventor: **Howard H. Milstein**, 847 N. Broad St., Philadelphia, Pa. 19123

[**] Term: **14 Years**

[21] Appl. No.: **143,090**

[22] Filed: **Apr. 23, 1980**

[51] Int. Cl. **D06—04**

[52] U.S. Cl. **D6/173; D6/187**

[58] Field of Search **D6/167, 168, 169, 172, D6/173, 181, 186, 187; D15/79, 81, 82, 83, 84, 85, 86, 87; 312/114, 116, 117, 122, 126, 128**

[56] **References Cited**

U.S. PATENT DOCUMENTS

D. 48,027 10/1915 French D6/172

D. 96,837 9/1935 Hormes D6/173

D. 147,818 11/1947 Silveira D6/173

D. 156,416 12/1949 Greiling D6/187

Primary Examiner—Joel Stearman
Assistant Examiner—Carmen H. Vales
Attorney, Agent, or Firm—Paul Maleson

[57] **CLAIM**

The ornamental design for a bulk candy display case, as shown and described.

DESCRIPTION

FIG. 1 is a perspective view of a bulk candy display case, showing my new design;

FIG. 2 is a front elevational view thereof;

FIG. 3 is a right side elevational view thereof;

FIG. 4 is a rear elevational view thereof;

FIG. 5 is a top plan view thereof;

FIG. 6 is a bottom plan view thereof.

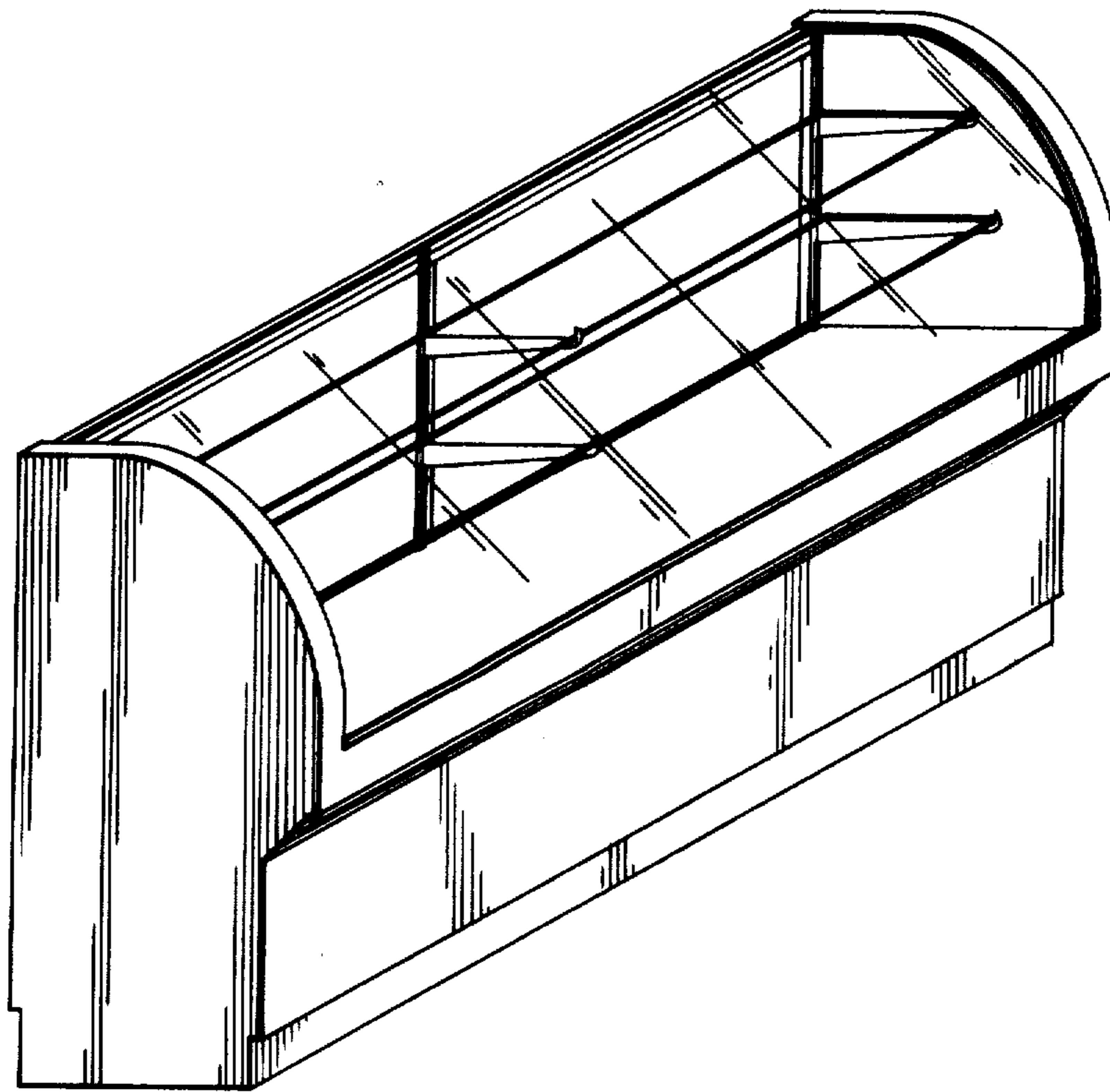


FIG. 1

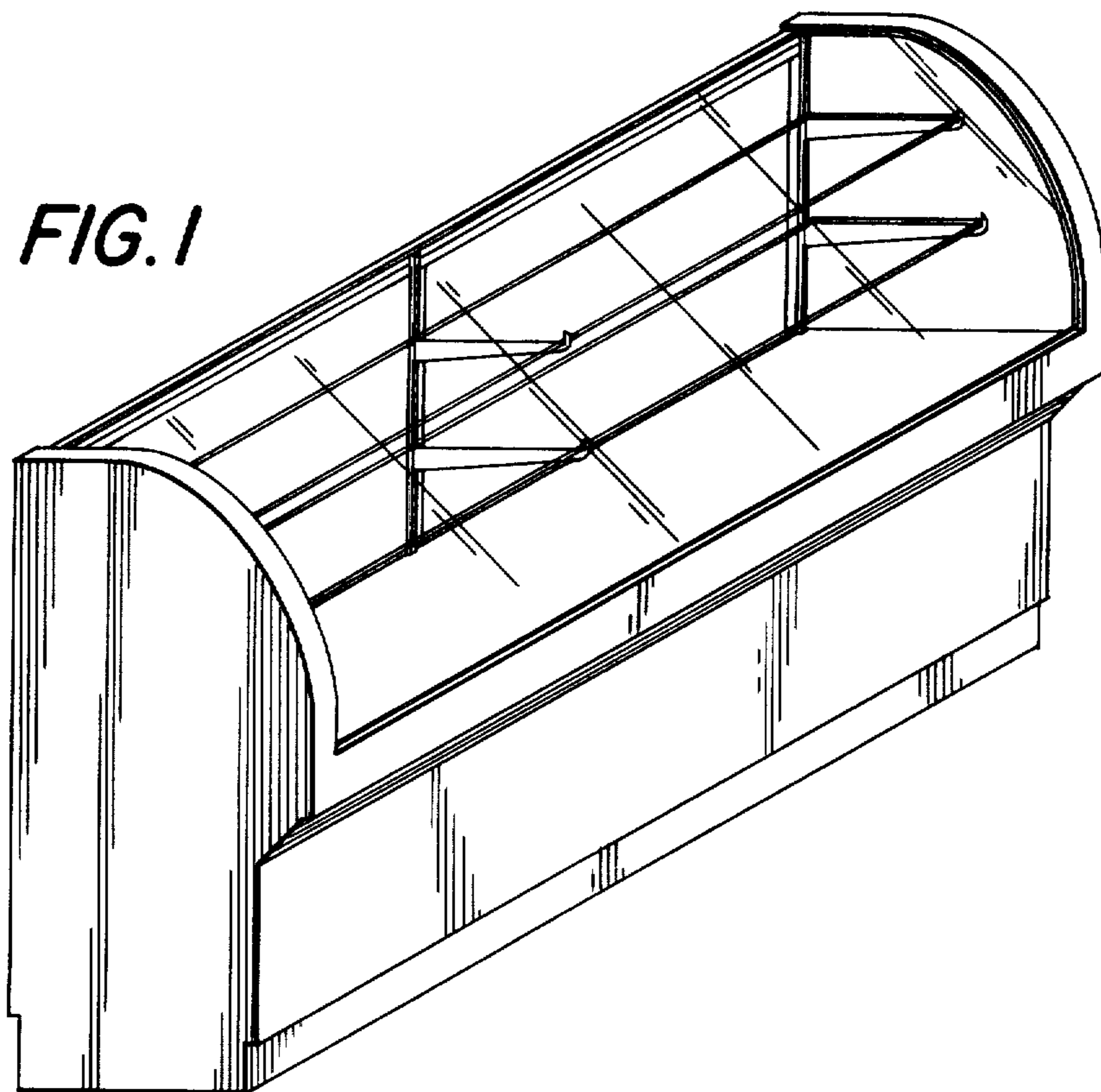
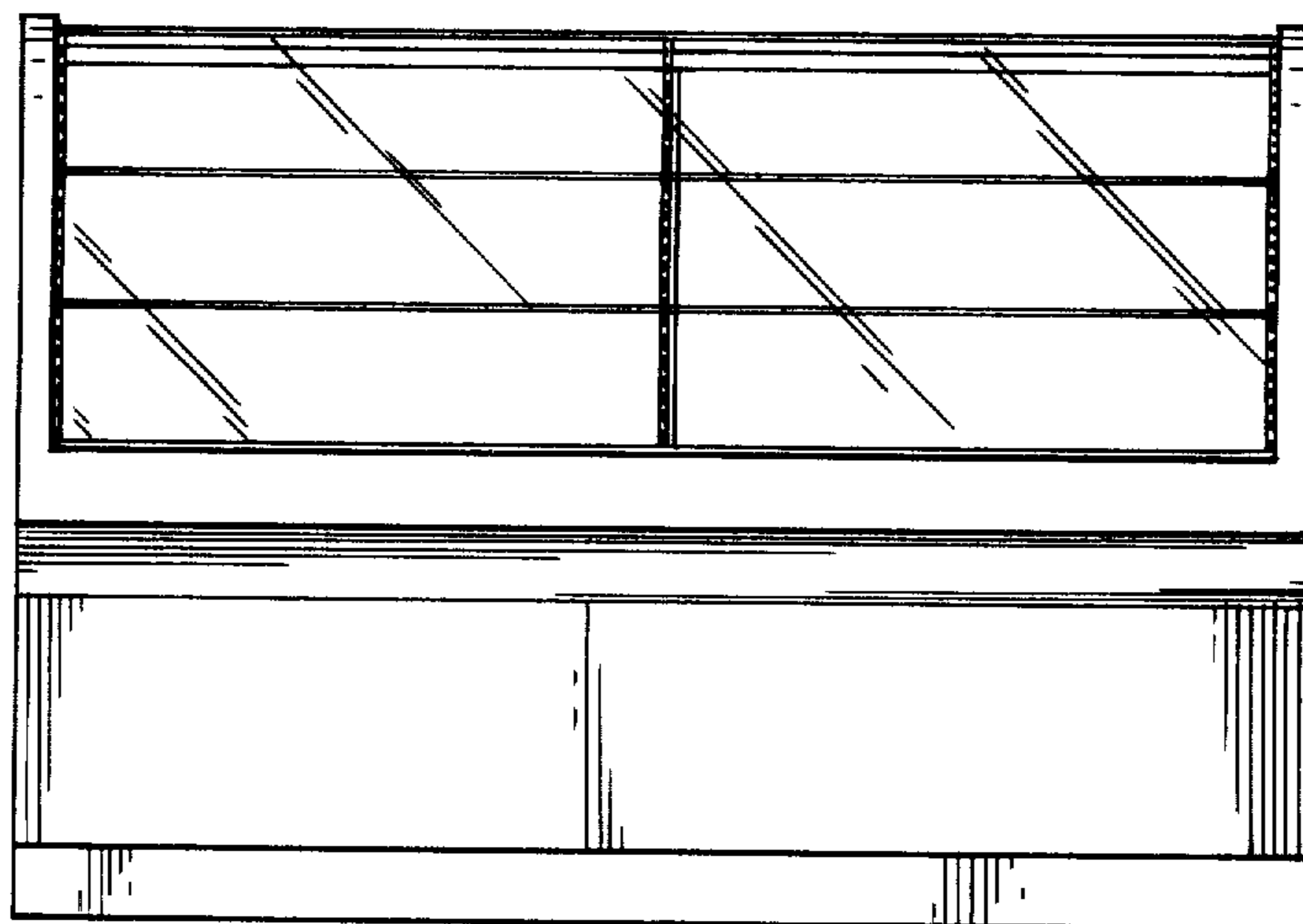


FIG. 2



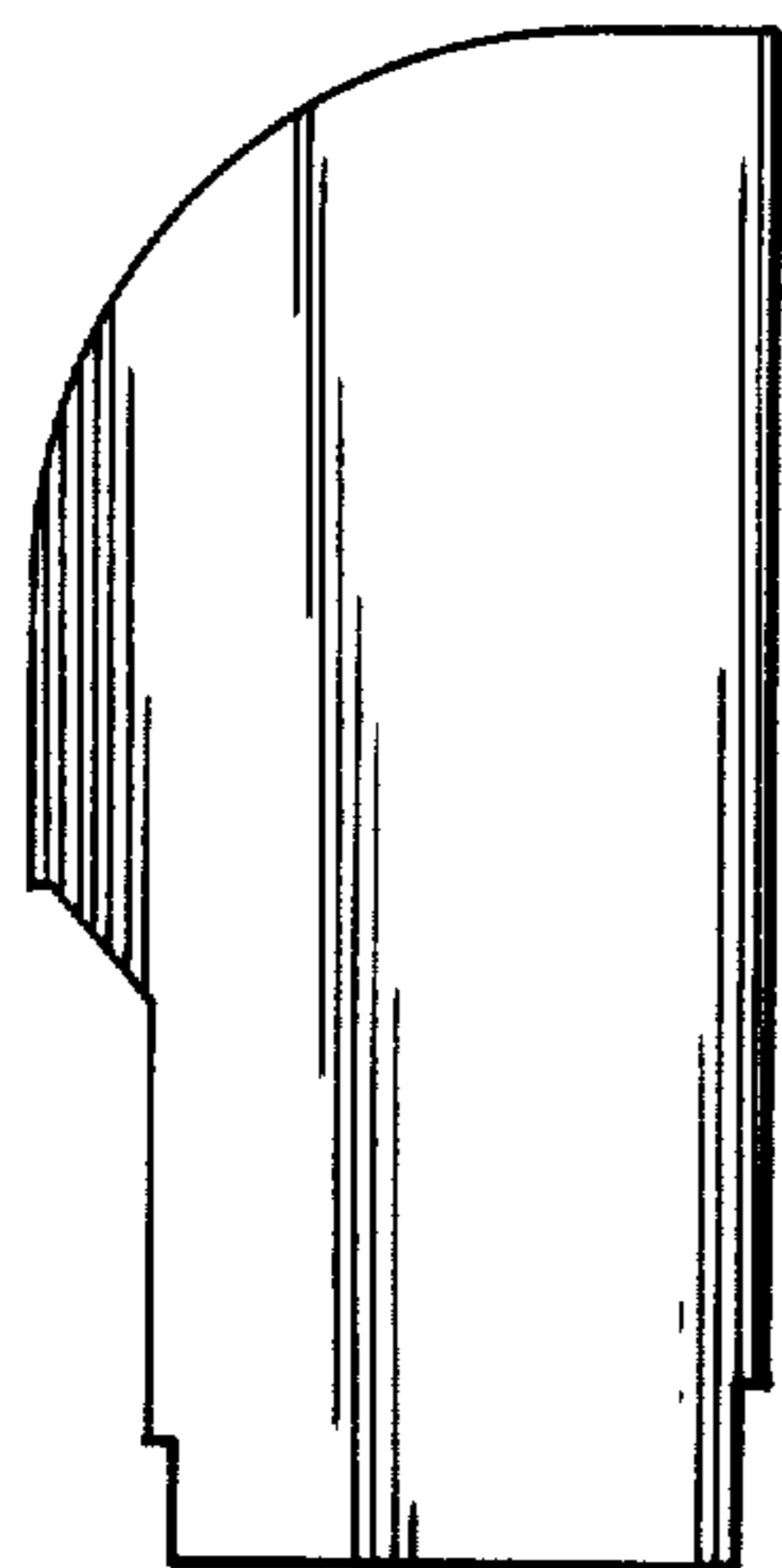


FIG. 3

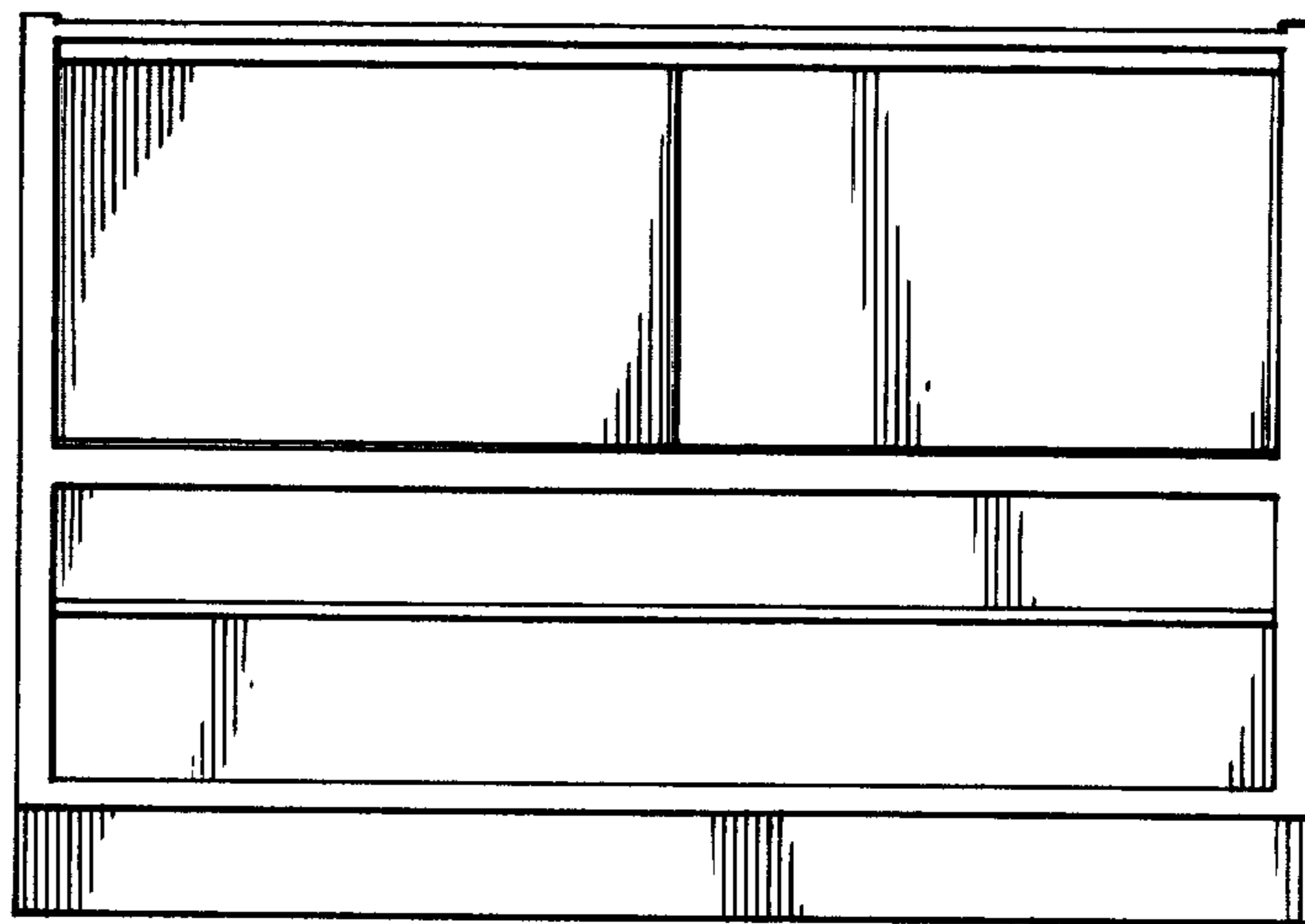


FIG. 4

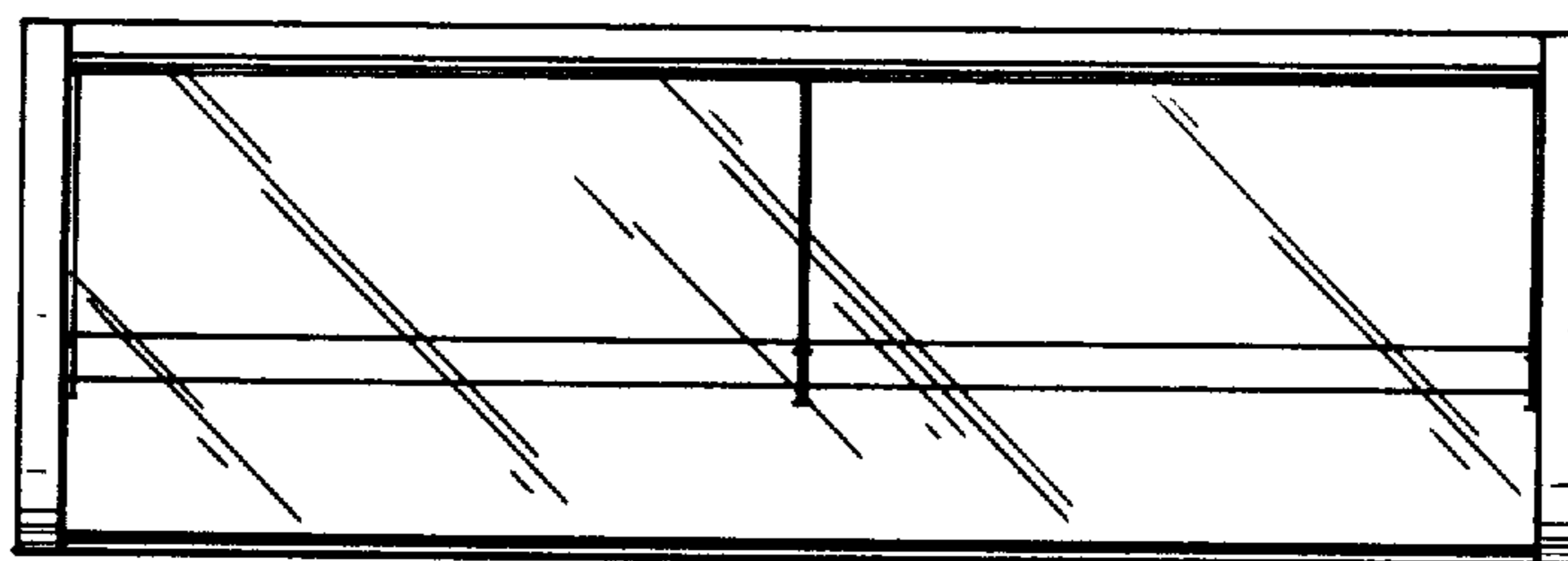


FIG. 5

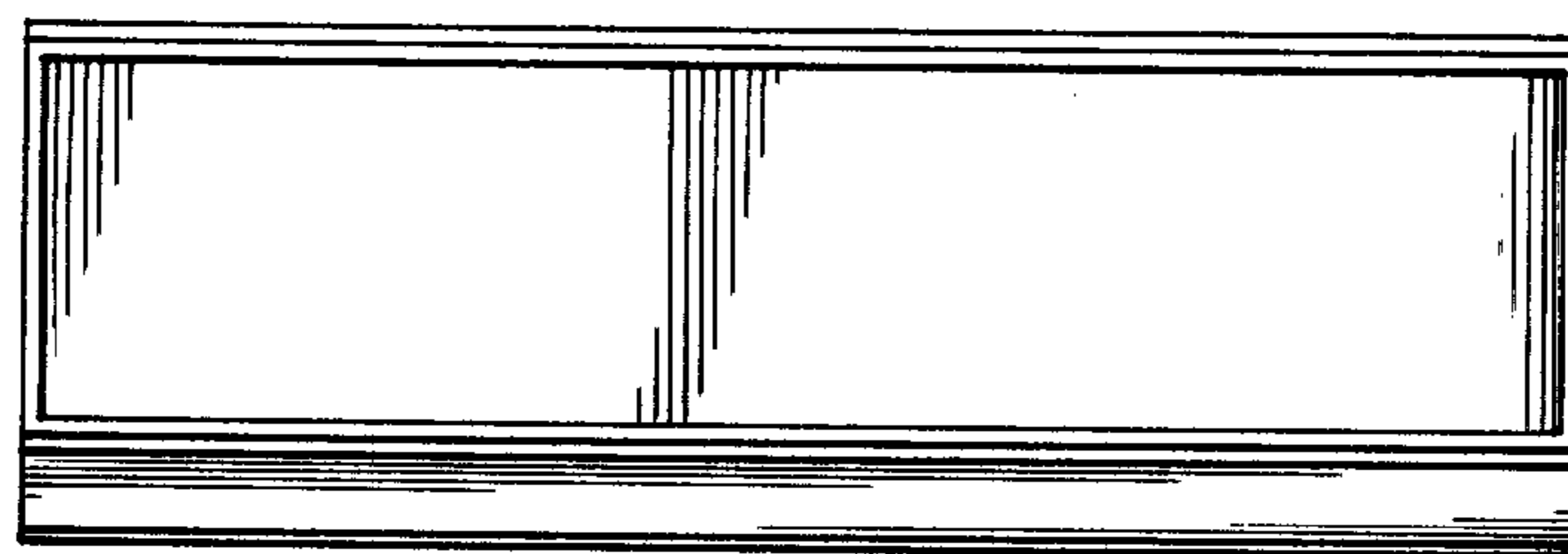


FIG. 6