

[54] **FIRE RESISTANT CONTAINER**

[75] Inventor: **David O. Chase, Skaneateles, N.Y.**

[73] Assignee: **John D. Brush & Company, Inc.,  
Rochester, N.Y.**

[\*\*] Term: **14 Years**

[21] Appl. No.: **202,863**

[22] Filed: **Oct. 31, 1980**

[51] Int. Cl. .... **D6-04**

[52] U.S. Cl. .... **D99/28**

[58] Field of Search ..... **D99/28, 34-37;  
232/15.1 R; 109/1 R, 45**

[56]

**References Cited**

**U.S. PATENT DOCUMENTS**

3,538,724 11/1970 Dauenbaugh ..... 232/15  
3,837,566 9/1974 McGough ..... 232/15

*Primary Examiner*—Charles A. Rademaker  
*Attorney, Agent, or Firm*—Cumpston & Shaw

[57]

**CLAIM**

The ornamental design for a fire resistant container,  
substantially as shown.

**DESCRIPTION**

FIG. 1 is a perspective view of a fire resistant container  
showing my new design;

FIG. 2 is an end view thereof as seen from the end  
opposite that shown in FIG. 1;

FIG. 3 is a side elevational view thereof;

FIG. 4 is a top plan view thereof; and

FIG. 5 is a bottom plan view thereof.

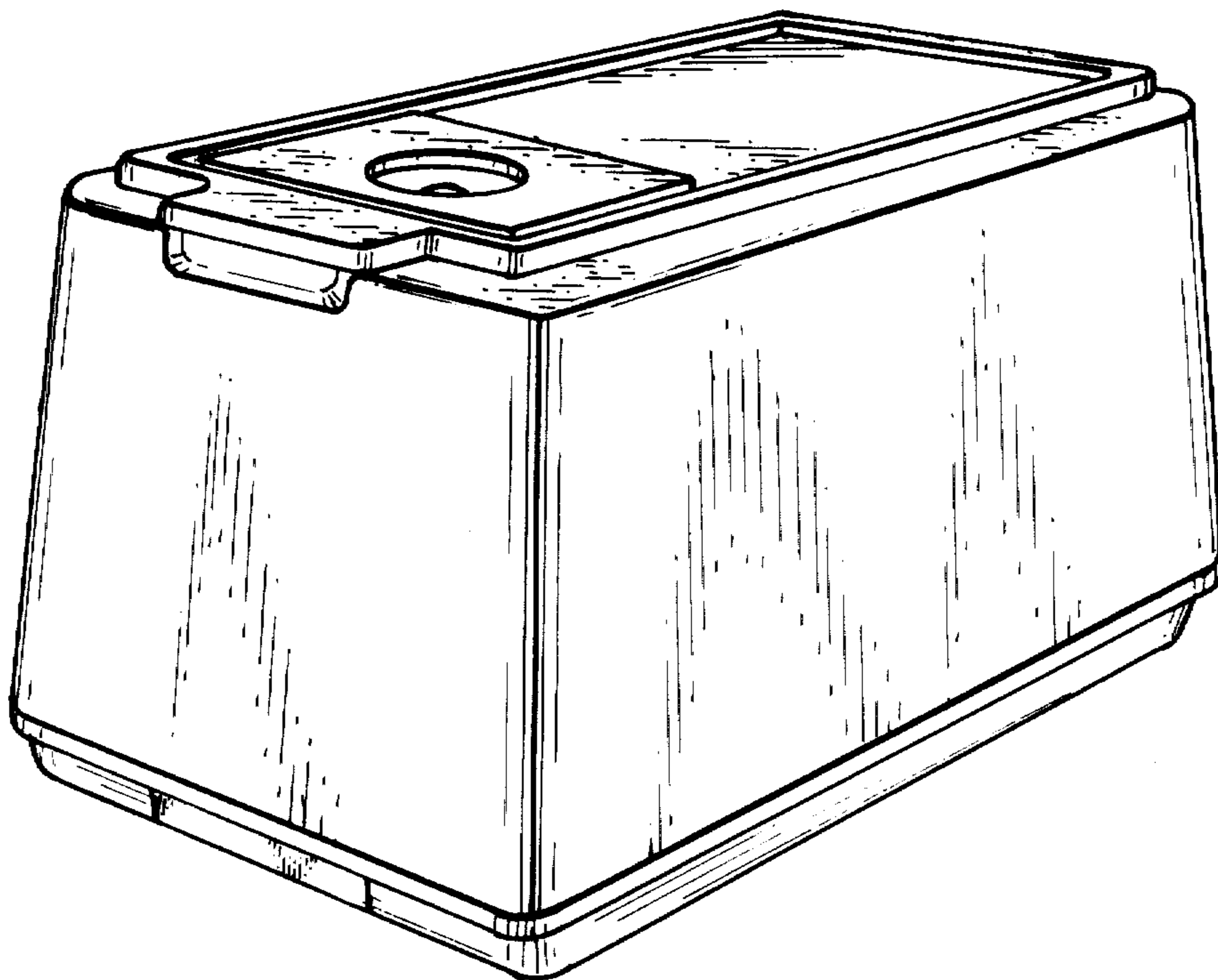


FIG. 1

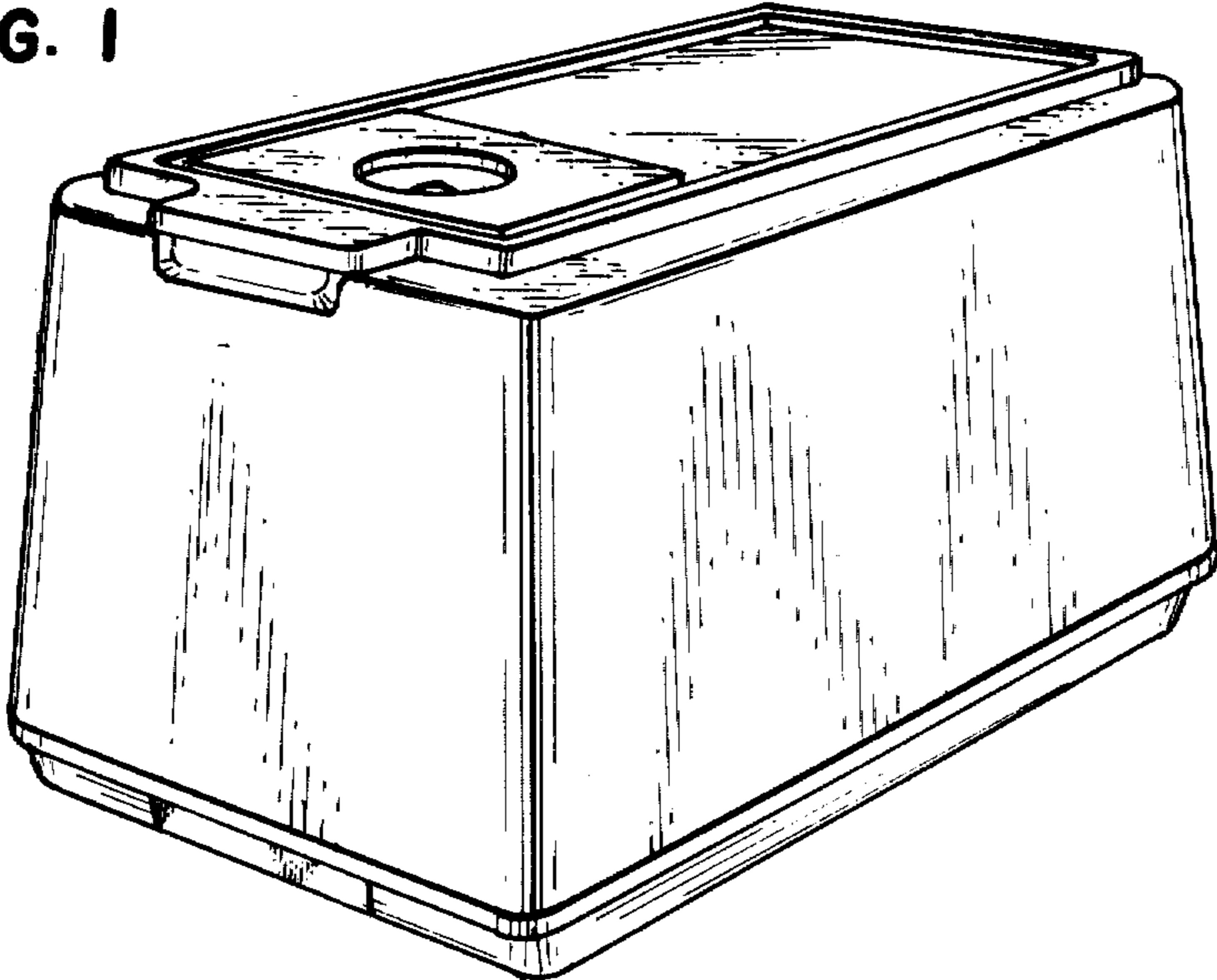


FIG. 2

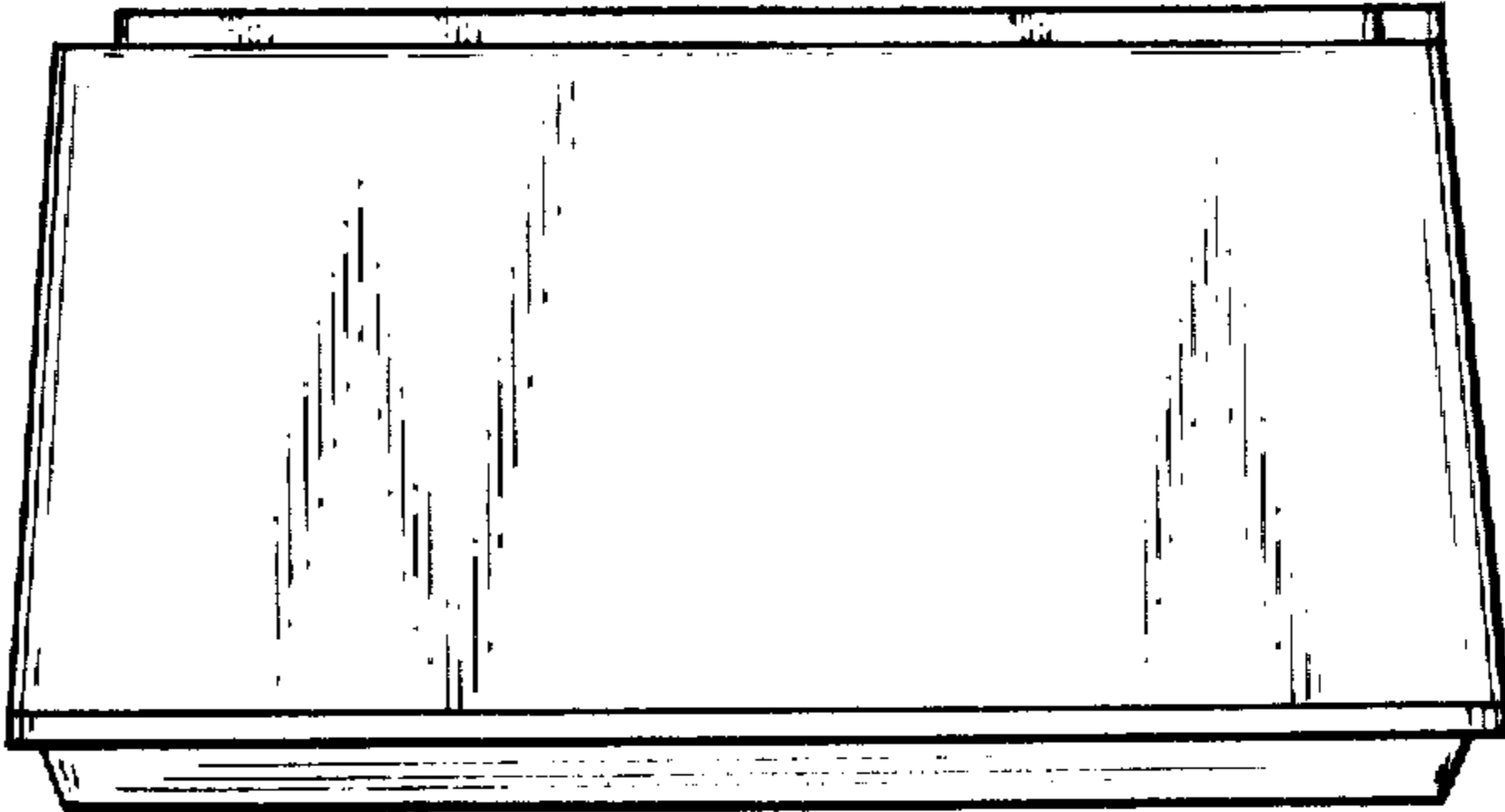
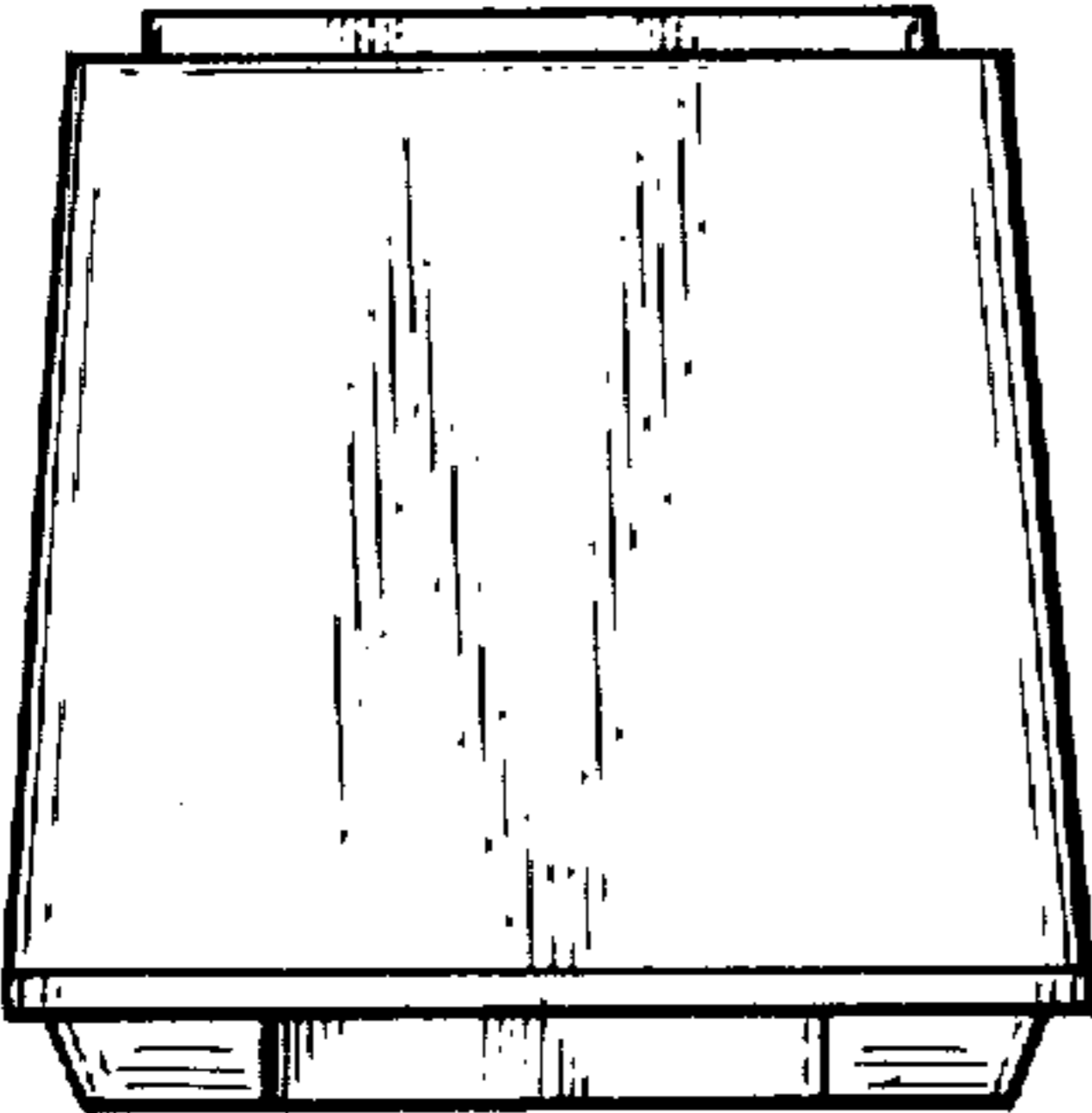


FIG. 3

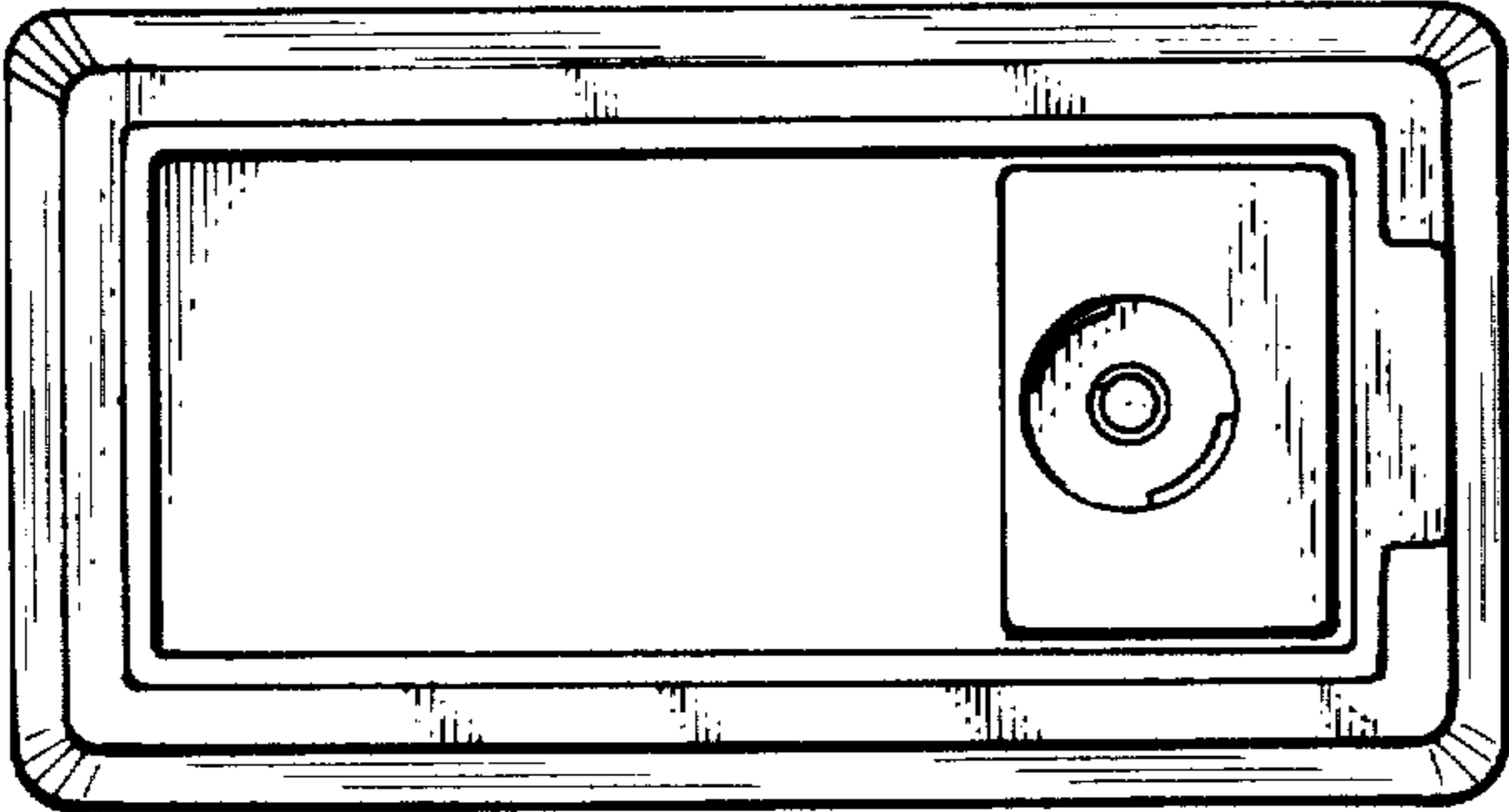


FIG. 4

FIG. 5

