

[54] HOISTING BRACKET FOR AN EXCHANGE PLATFORM FRAME OR THE LIKE

[75] Inventor: Leo Sutela, Turku, Finland

[73] Assignee: Oy Partek Ab, Finland

[\*\*] Term: 14 Years

[21] Appl. No.: 178,367

[22] Filed: Aug. 15, 1980

[30] Foreign Application Priority Data

Apr. 11, 1980 [FI] Finland ..... 80289

[51] Int. Cl. .... D12-05

[52] U.S. Cl. .... D34/35

[58] Field of Search ..... D8/300, 354, 373, 380, D8/382; D34/35; 294/1 R, 67 DB; 248/359.1, 360

[56] References Cited

U.S. PATENT DOCUMENTS

2,063,651 12/1936 Woodruff ..... 294/67 DB  
2,344,940 3/1944 Deloghia ..... 294/67 DB

Primary Examiner—B. J. Bullock  
Attorney, Agent, or Firm—Burns, Doane, Swecker & Mathis

[57] CLAIM

The ornamental design for a hoisting bracket for an exchange platform frame or the like, as shown.

DESCRIPTION

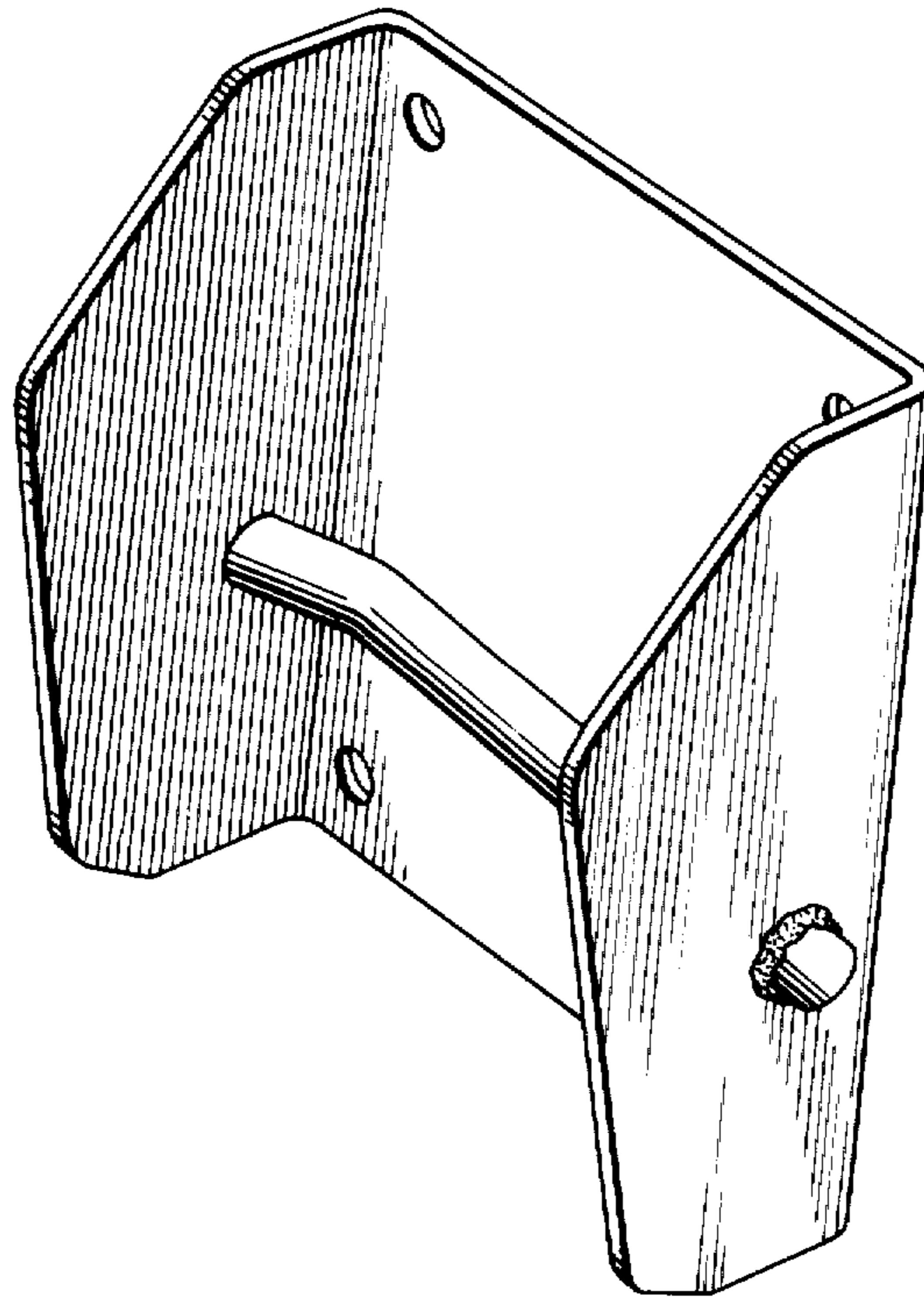
FIG. 1 is a perspective view of a hoisting bracket for an exchanger platform frame or the like embodying my new design;

FIG. 2 is a side elevational view taken from the left of FIG. 1, the side opposite being a mirror image thereof;

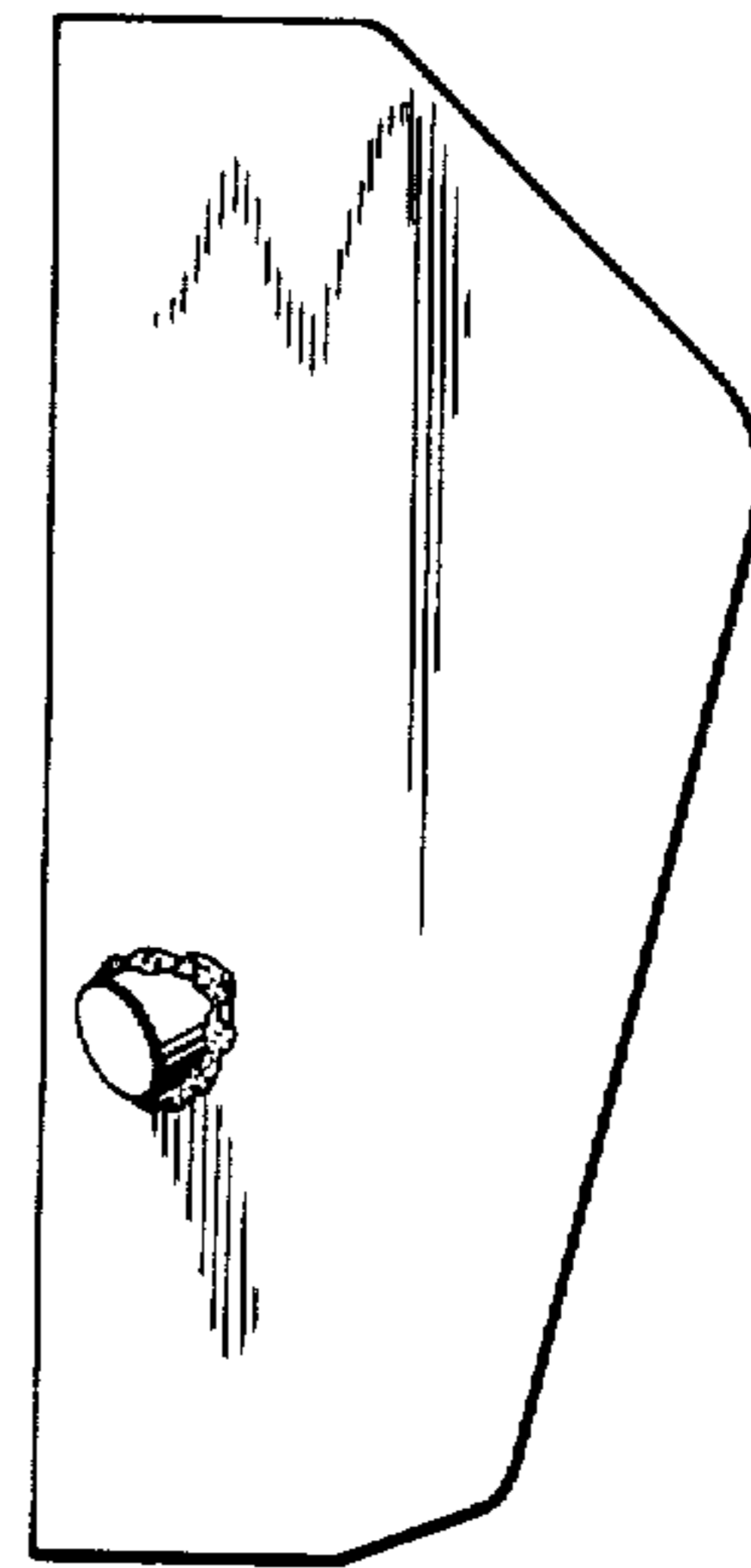
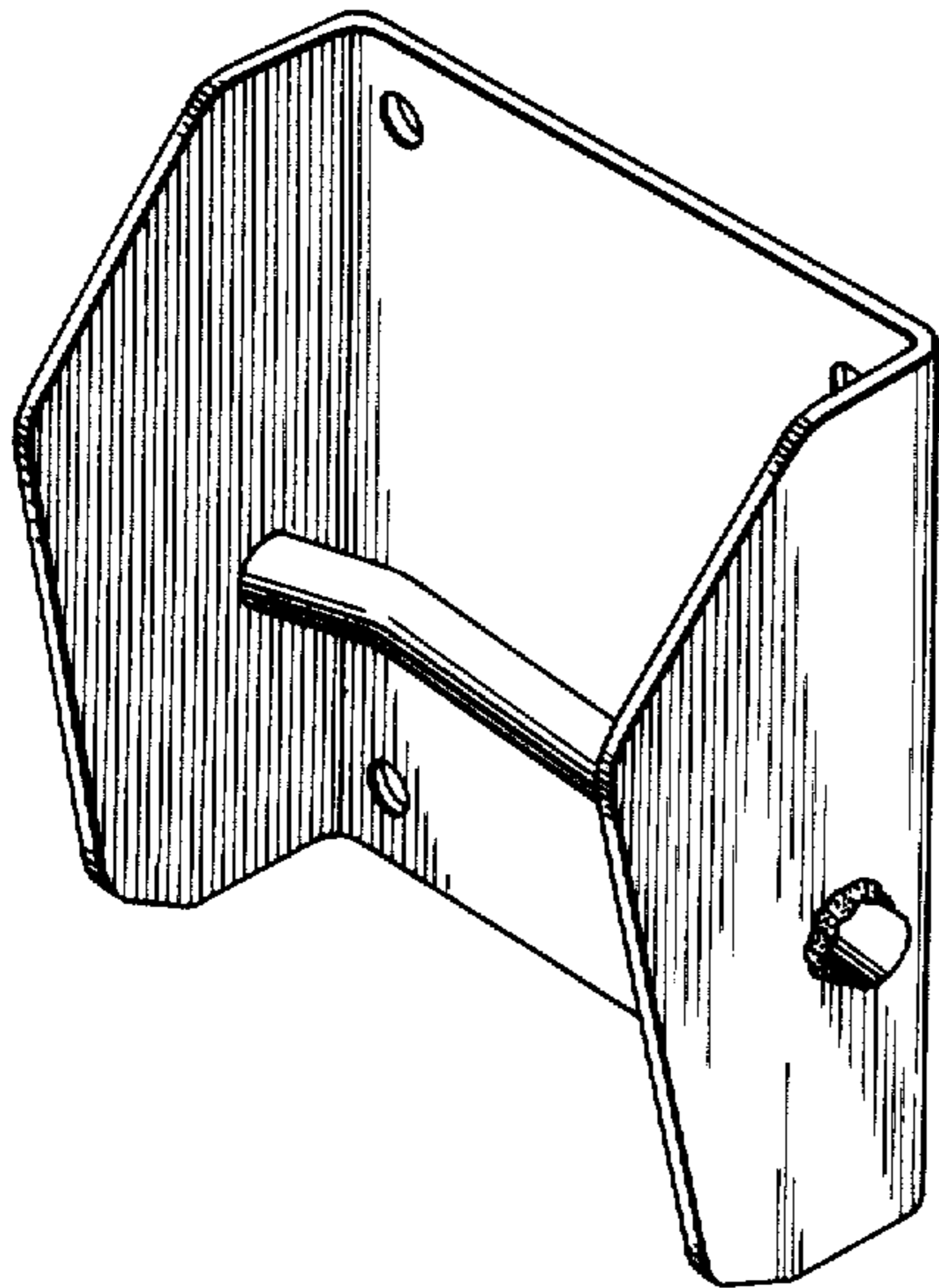
FIG. 3 is a rear elevational view thereof;

FIG. 4 is a top plan view thereof;

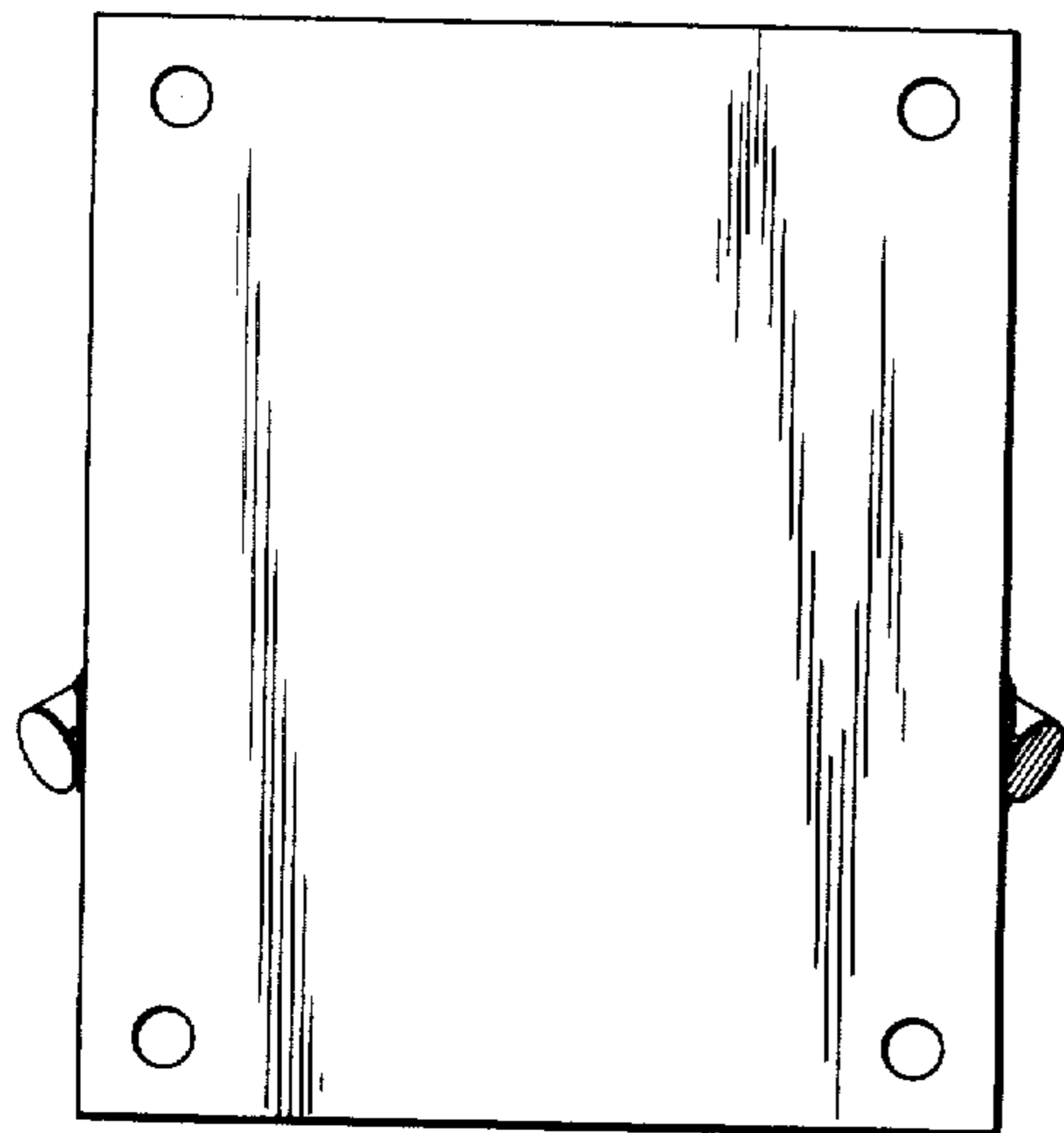
FIG. 5 is a bottom plan view thereof.



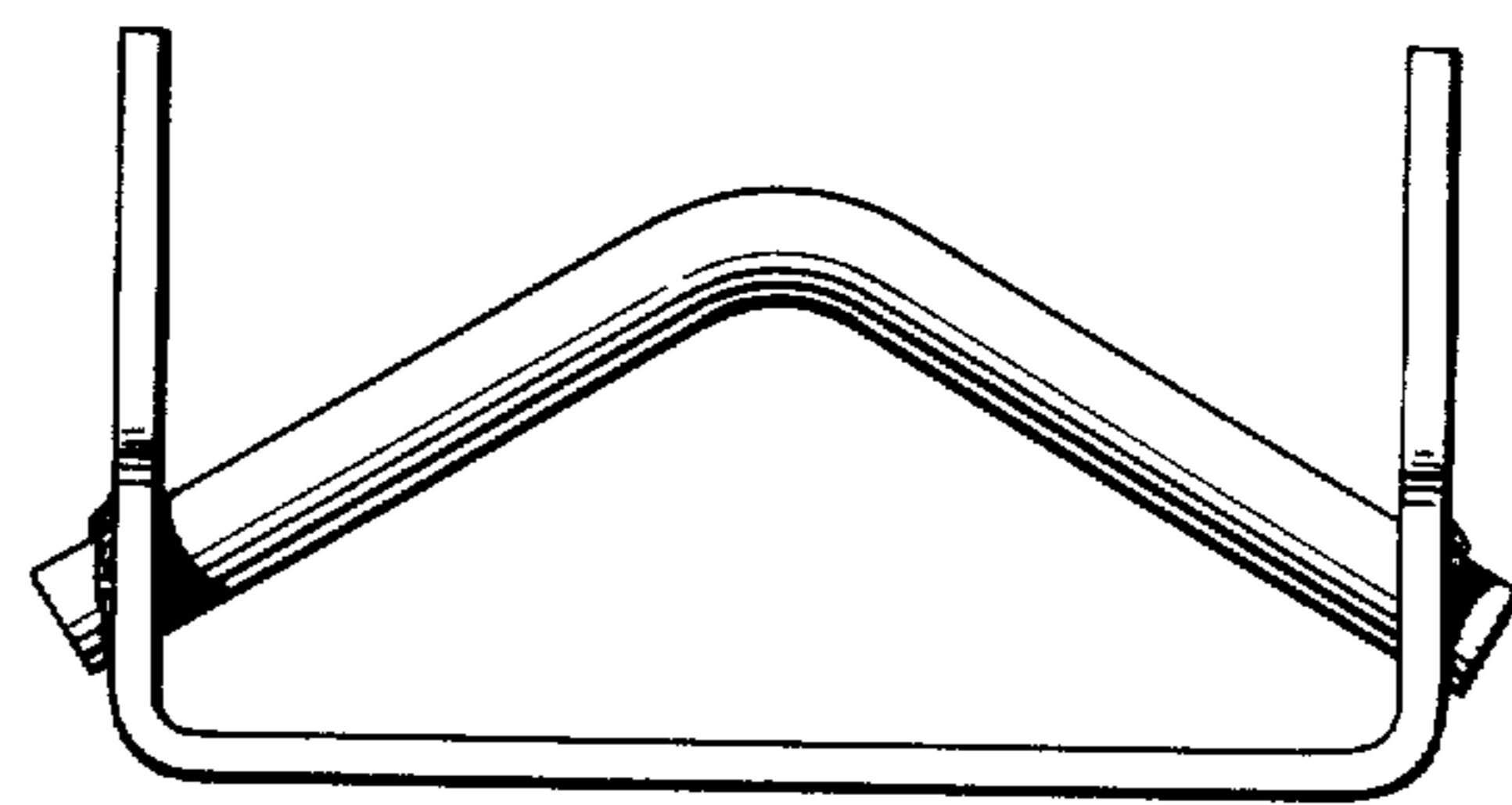
*Fig. 1*



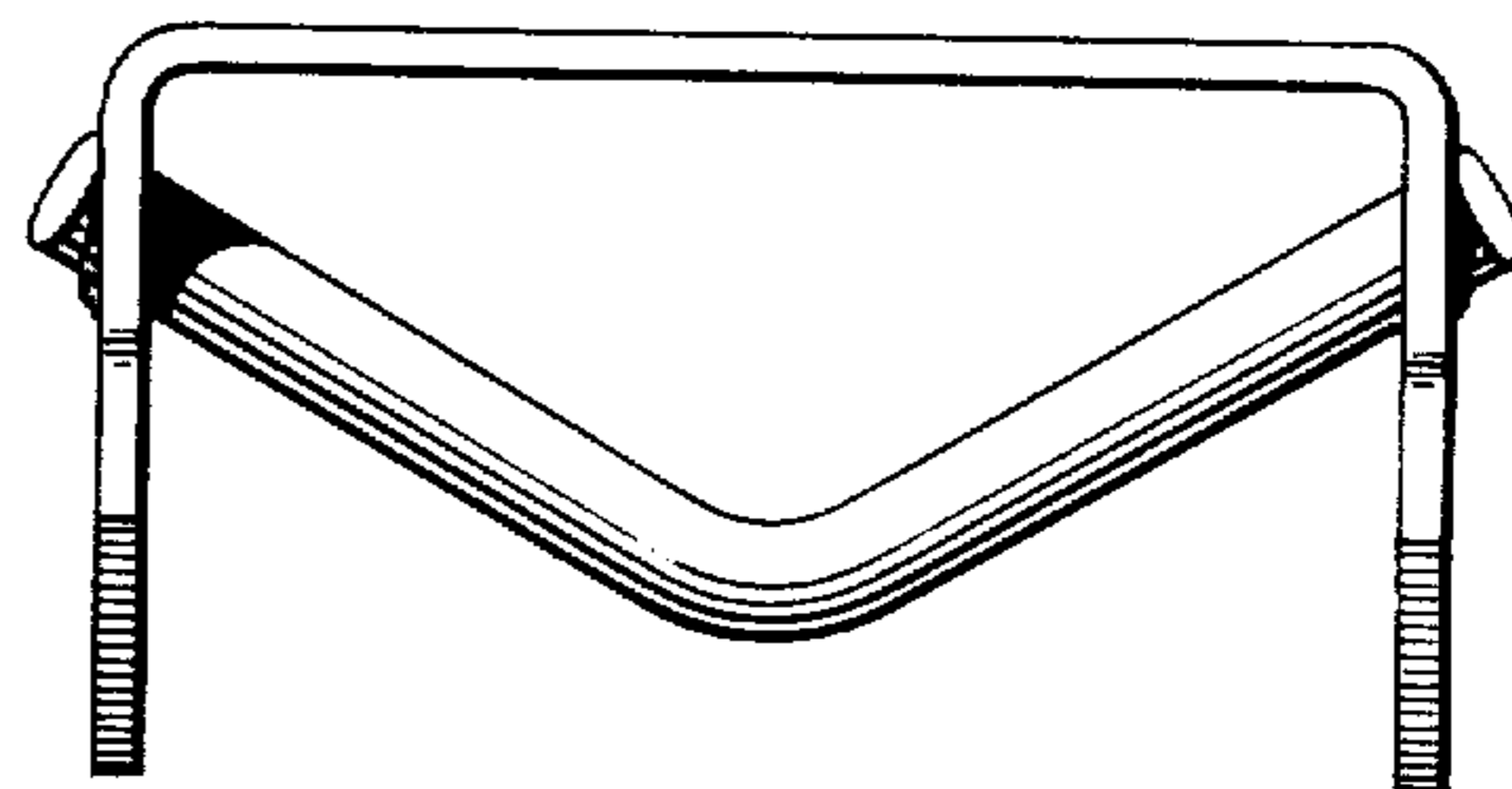
*Fig. 2*



*Fig. 3*



*Fig. 4*



*Fig. 5*