

[54] **FORCED AIR WASTE OIL INCINERATOR**

[76] Inventor: **Robert V. Albertson**, 2100 Shadywood Rd., Wayzata, Minn. 55391

[\*\*] Term: **14 Years**

[21] Appl. No.: **196,939**

[22] Filed: **Oct. 14, 1980**

[51] Int. Cl.<sup>3</sup> ..... **D23—03**

[52] U.S. Cl. .... **D23/92**

[58] Field of Search ..... **D23/72, 92, 93; 126/110 R, 112, 116 R**

[56] **References Cited**

**U.S. PATENT DOCUMENTS**

D. 204,349	4/1966	Kategianis .....	D23/92
D. 206,510	12/1966	Walz et al. ....	D23/92
2,219,276	10/1940	Young .....	126/110 R X
2,268,778	1/1942	Schueder et al. ....	126/67
2,279,975	4/1942	Evans .....	126/110
2,519,241	8/1950	Findley .....	126/116
2,555,842	6/1951	De Lancey .....	126/110 R
2,804,066	8/1957	McCutchen .....	126/110
3,007,466	11/1961	Mayo .....	126/93
3,029,803	4/1962	Breese .....	126/110
3,662,738	5/1972	Solka et al. ....	126/110 R

4,140,101 2/1979 Glover ..... 126/110  
4,206,743 6/1980 Niemela ..... 126/110

*Primary Examiner*—Catherine E. Kemper  
*Attorney, Agent, or Firm*—Burd, Bartz & Gutenkauf

[57] **CLAIM**

The ornamental design for a forced air waste oil incinerator, substantially as shown and described.

**DESCRIPTION**

FIG. 1 is a perspective view of a forced air waste oil incinerator showing my new design;  
FIG. 2 is a top plan view thereof;  
FIG. 3 is a front elevational view thereof;  
FIG. 4 is a side elevational view of the right side of FIG. 1;  
FIG. 5 is a side elevational view of the left side of FIG. 1;  
FIG. 6 is a rear elevational view of FIG. 1;  
FIG. 7 is a perspective view of a modification of the forced air waste oil incinerator showing my new design;  
FIG. 8 is a top view of FIG. 7 thereof;  
FIG. 9 is a front elevational view of FIG. 7;  
FIG. 10 is a side elevational view of the right side of FIG. 7;  
FIG. 11 is a side elevational view of the left side of FIG. 7; and  
FIG. 12 is a rear elevational view of FIG. 7.

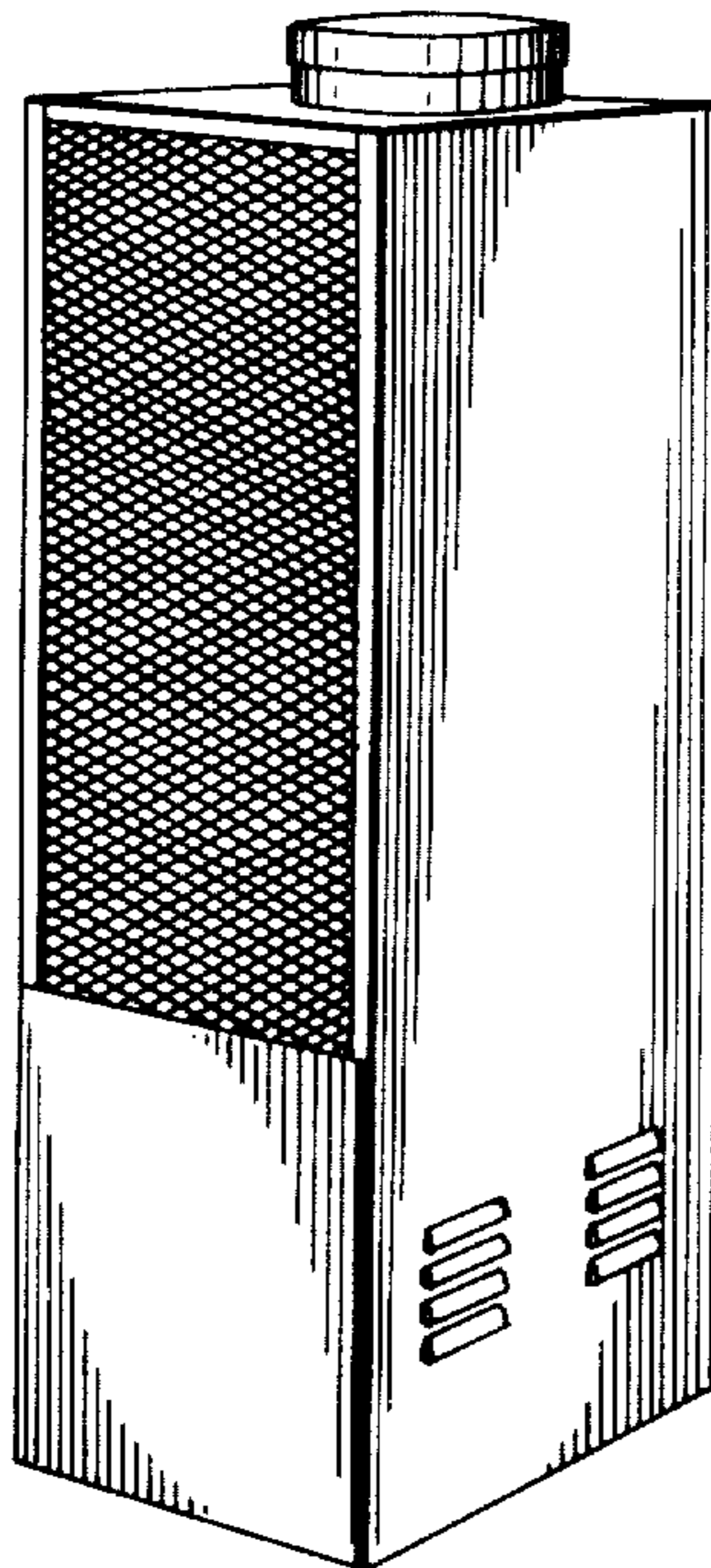


Fig. 1

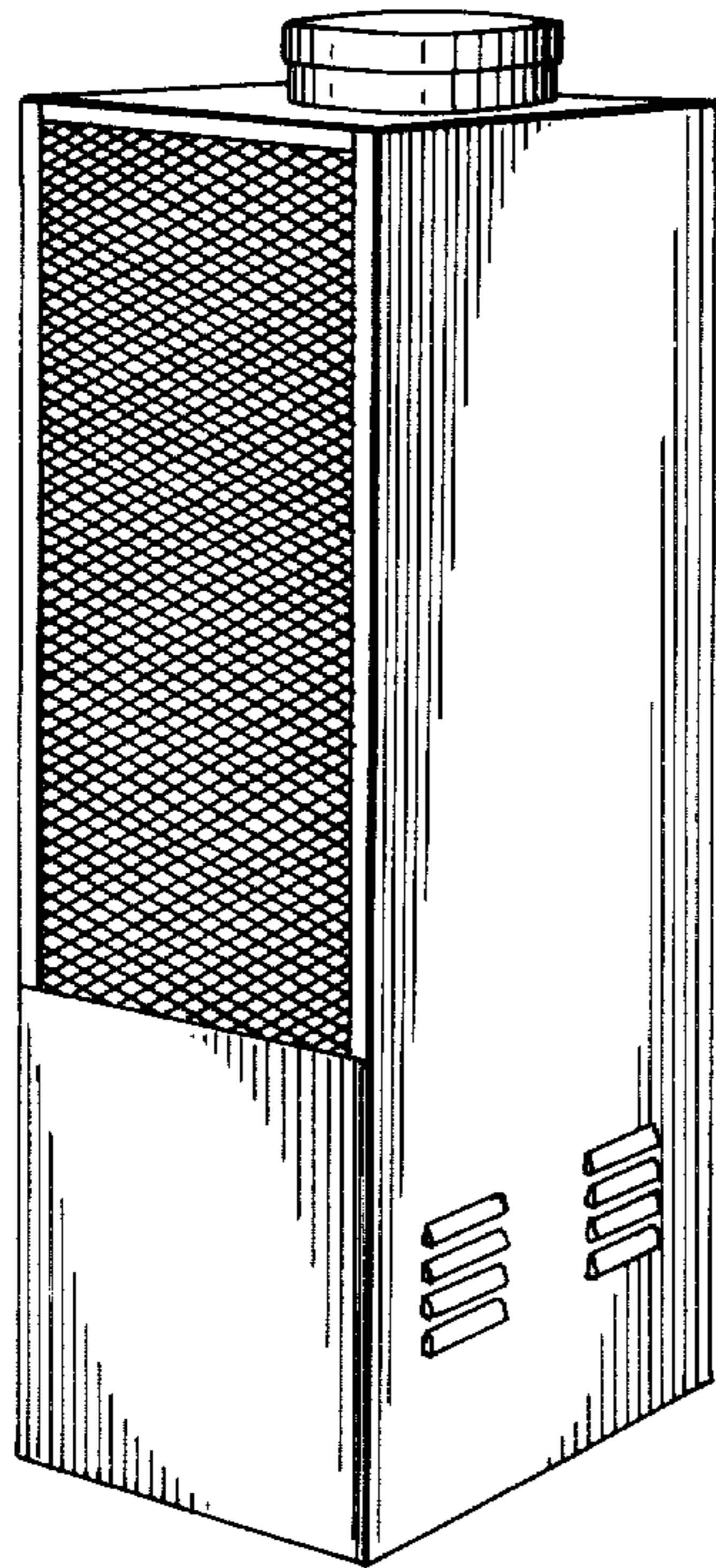


Fig. 3

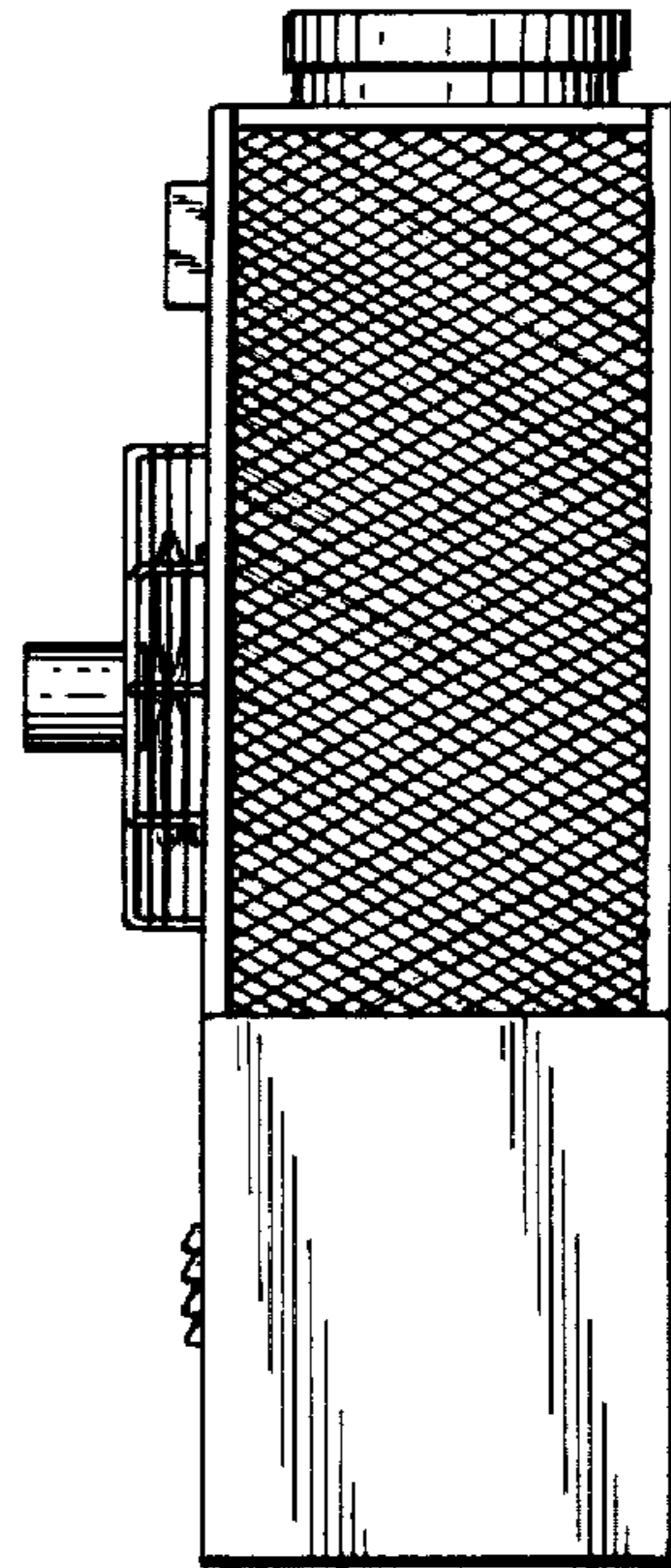


Fig. 2

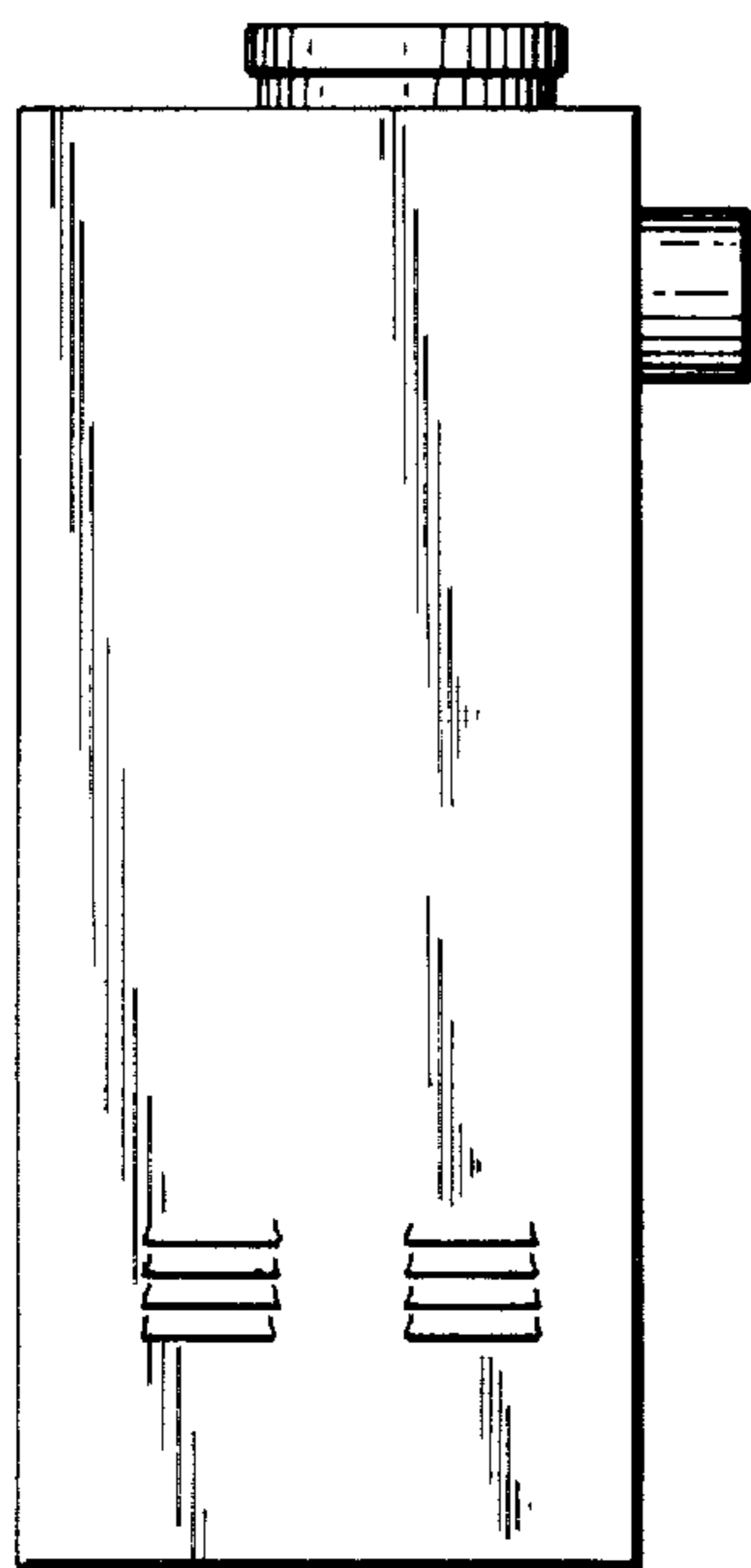
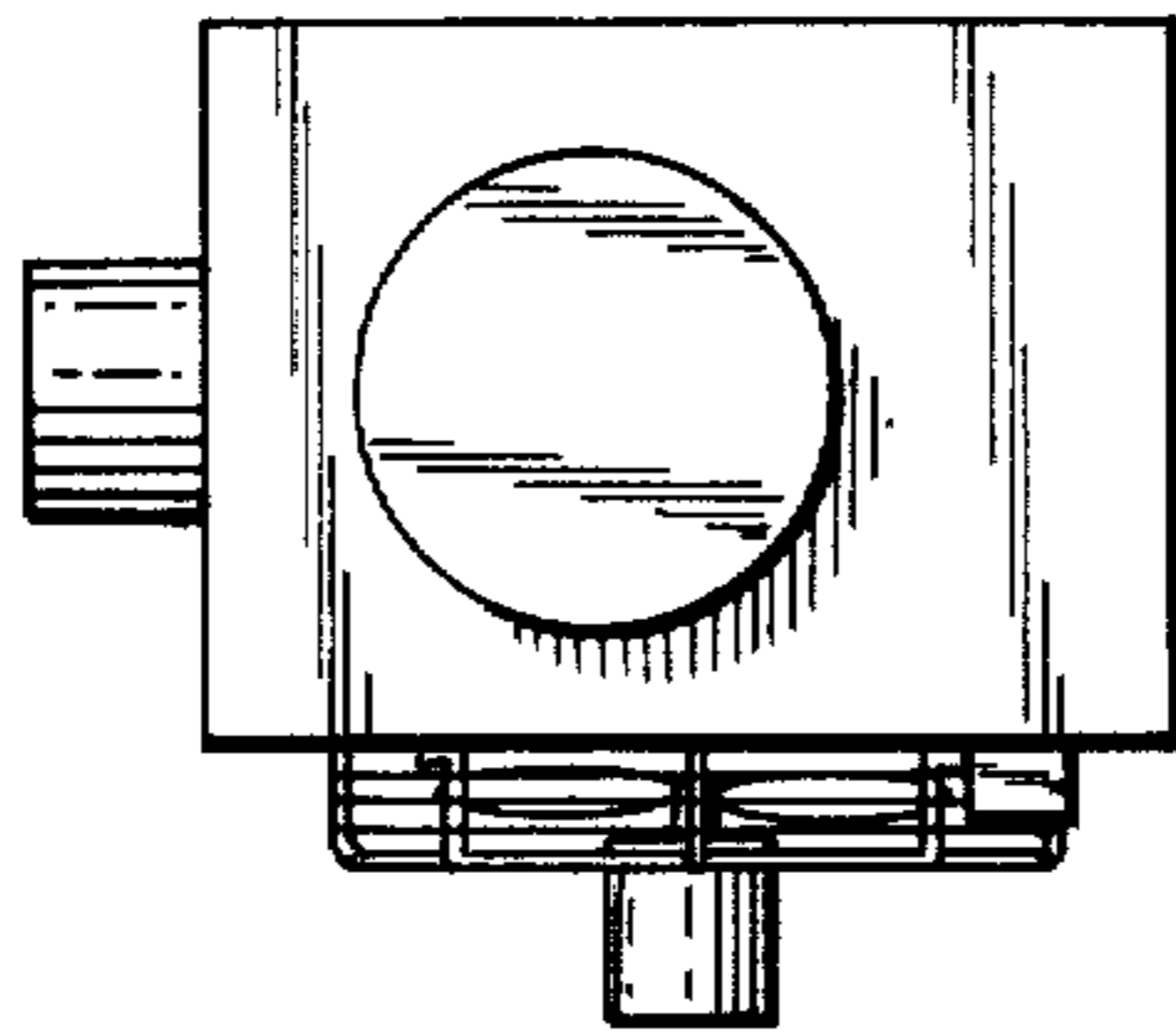


Fig. 4

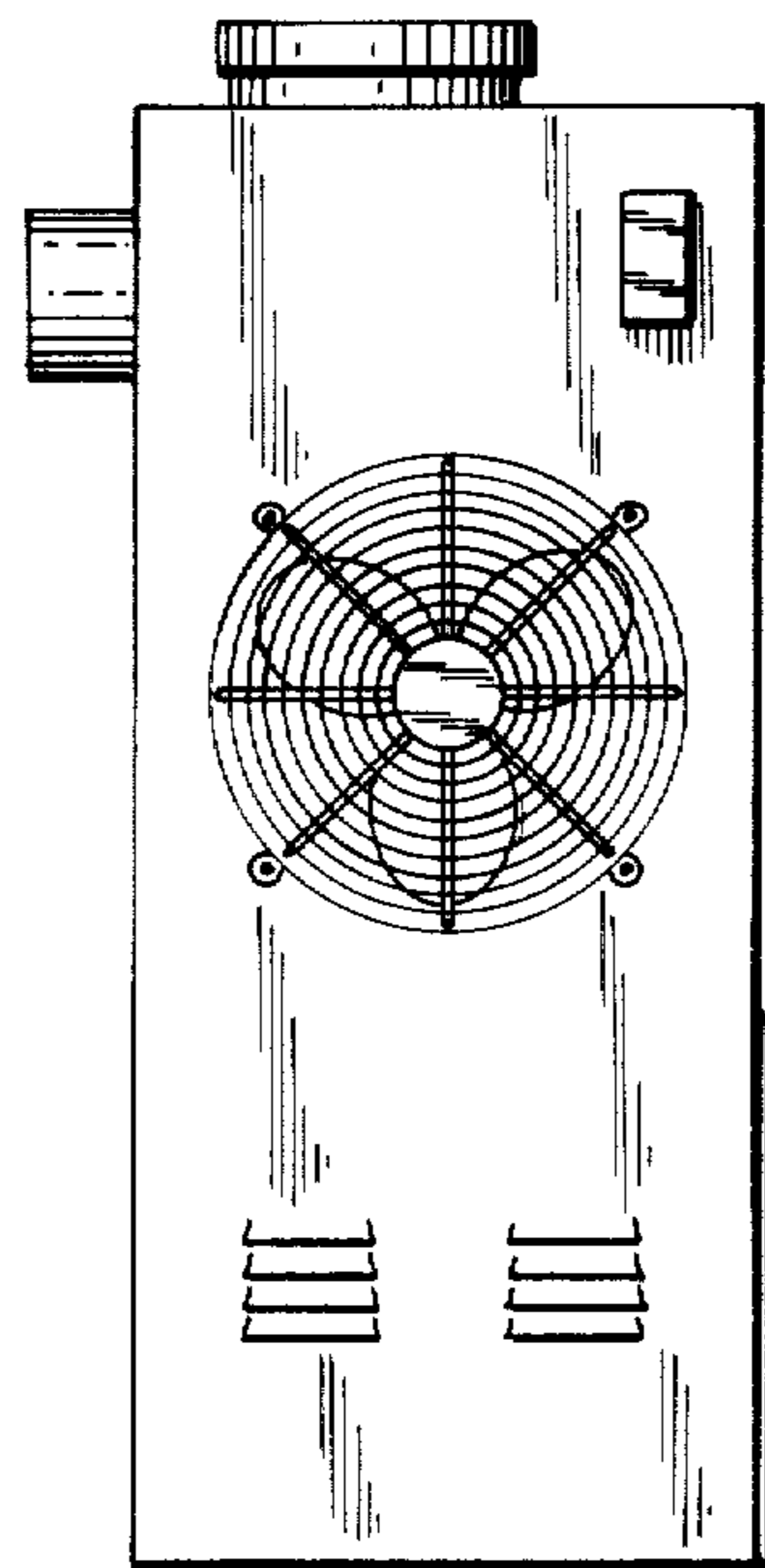


Fig. 5

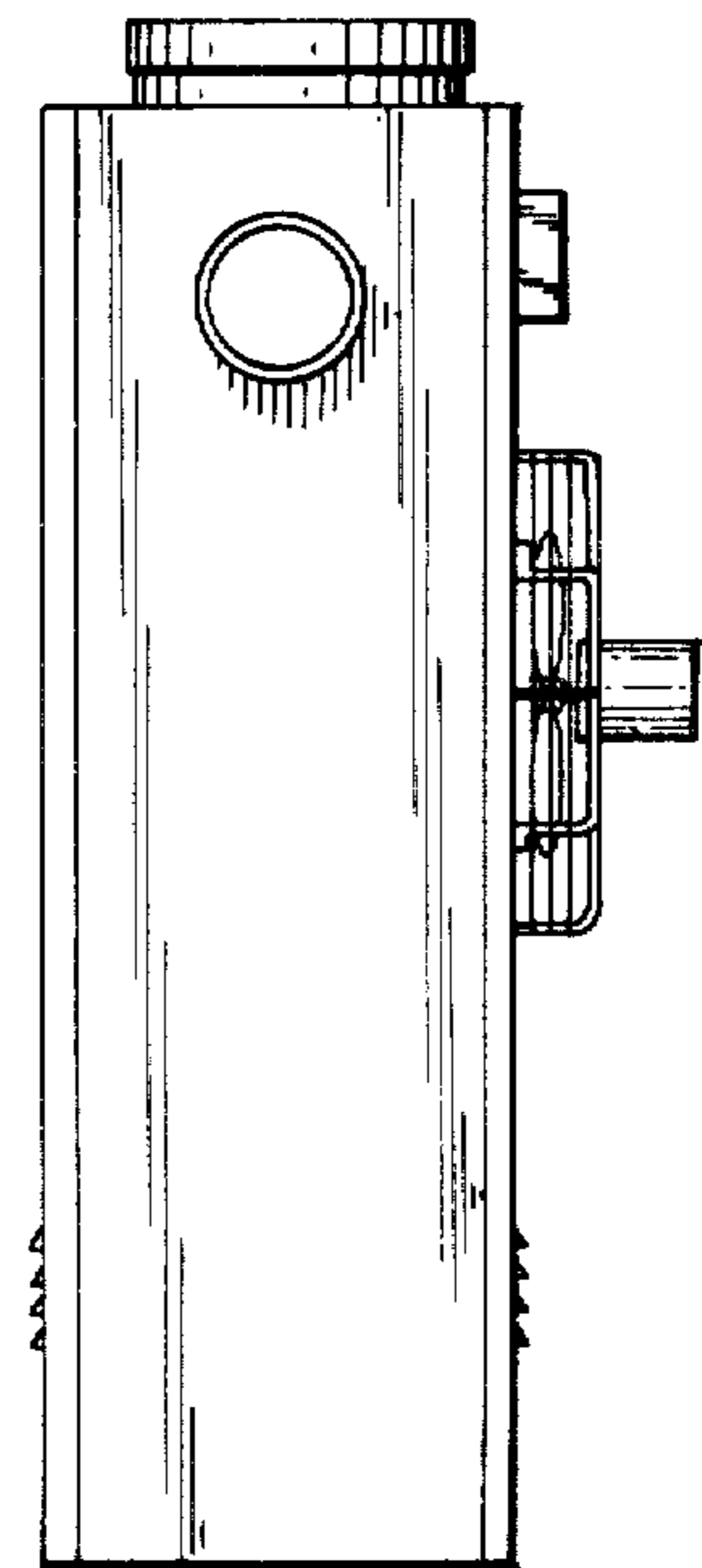
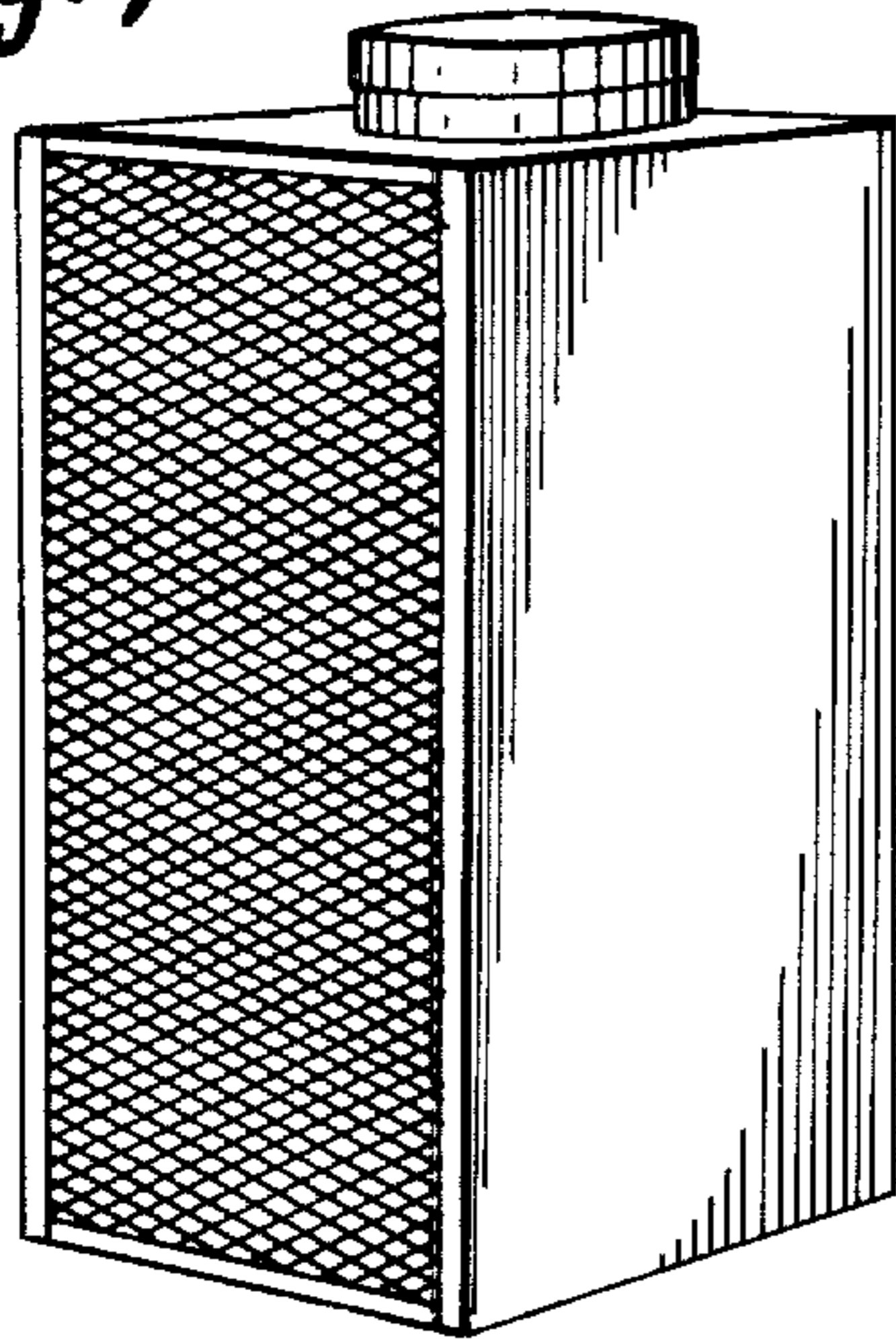
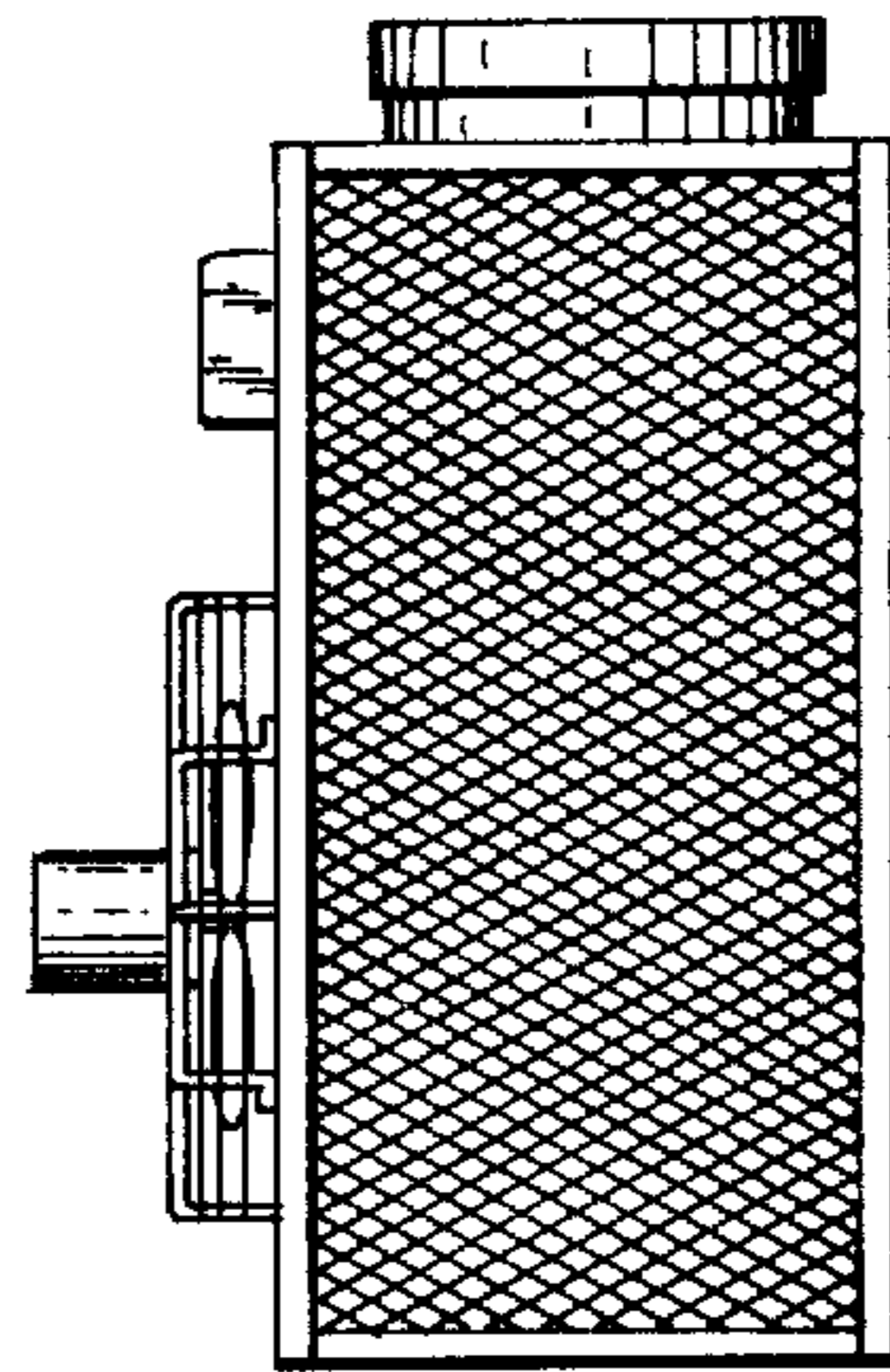


Fig. 6

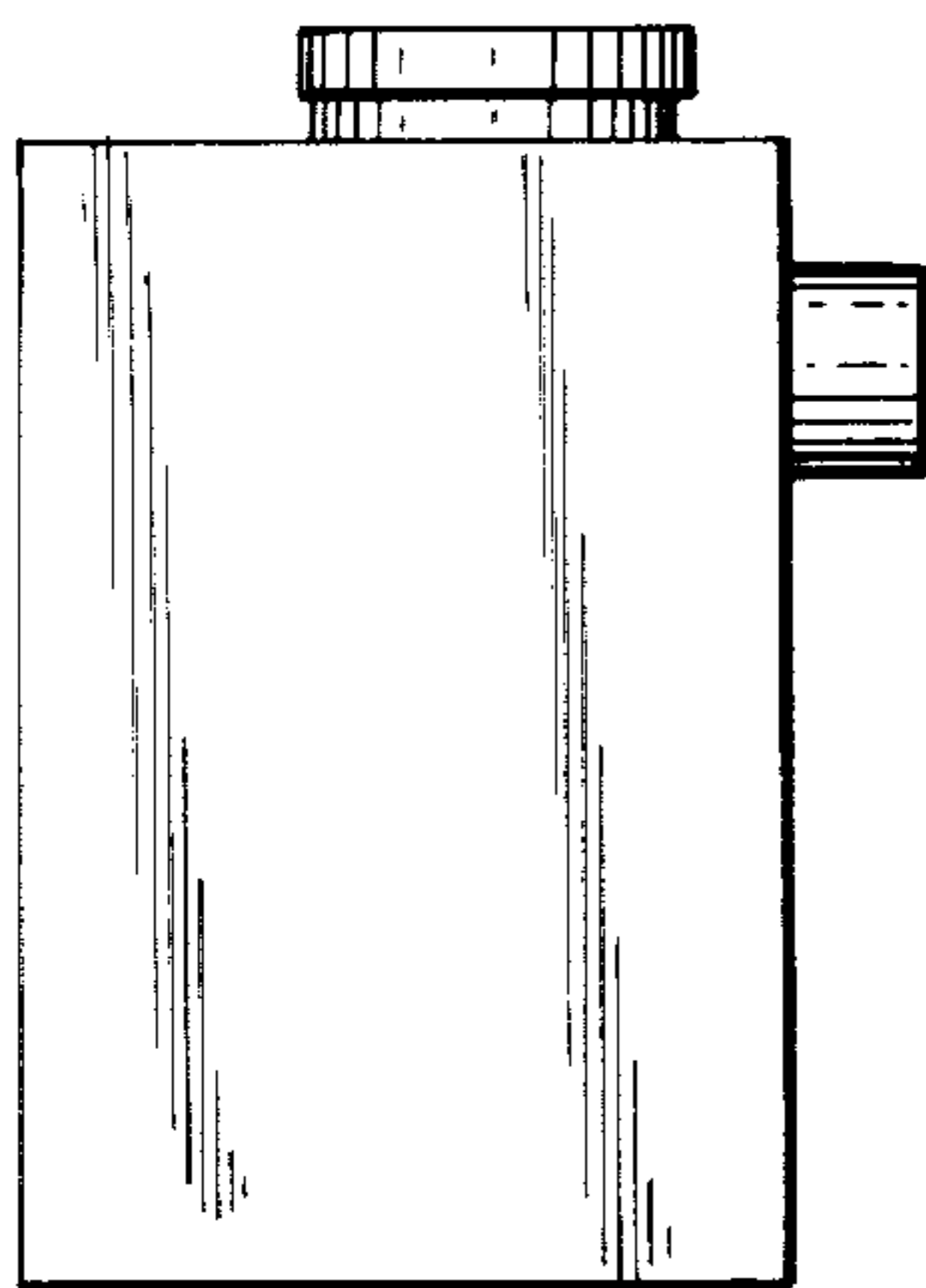
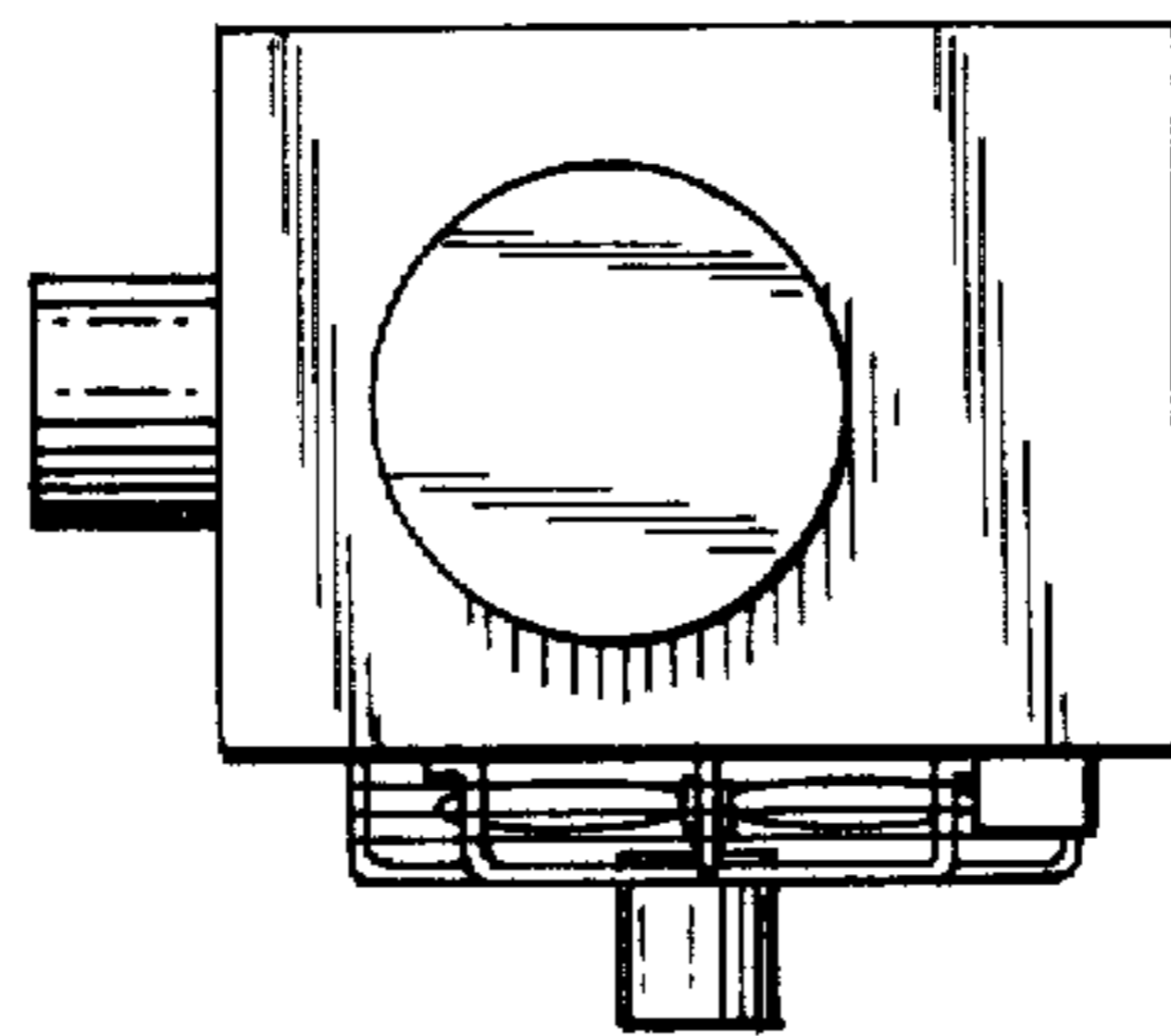
*Fig. 7*



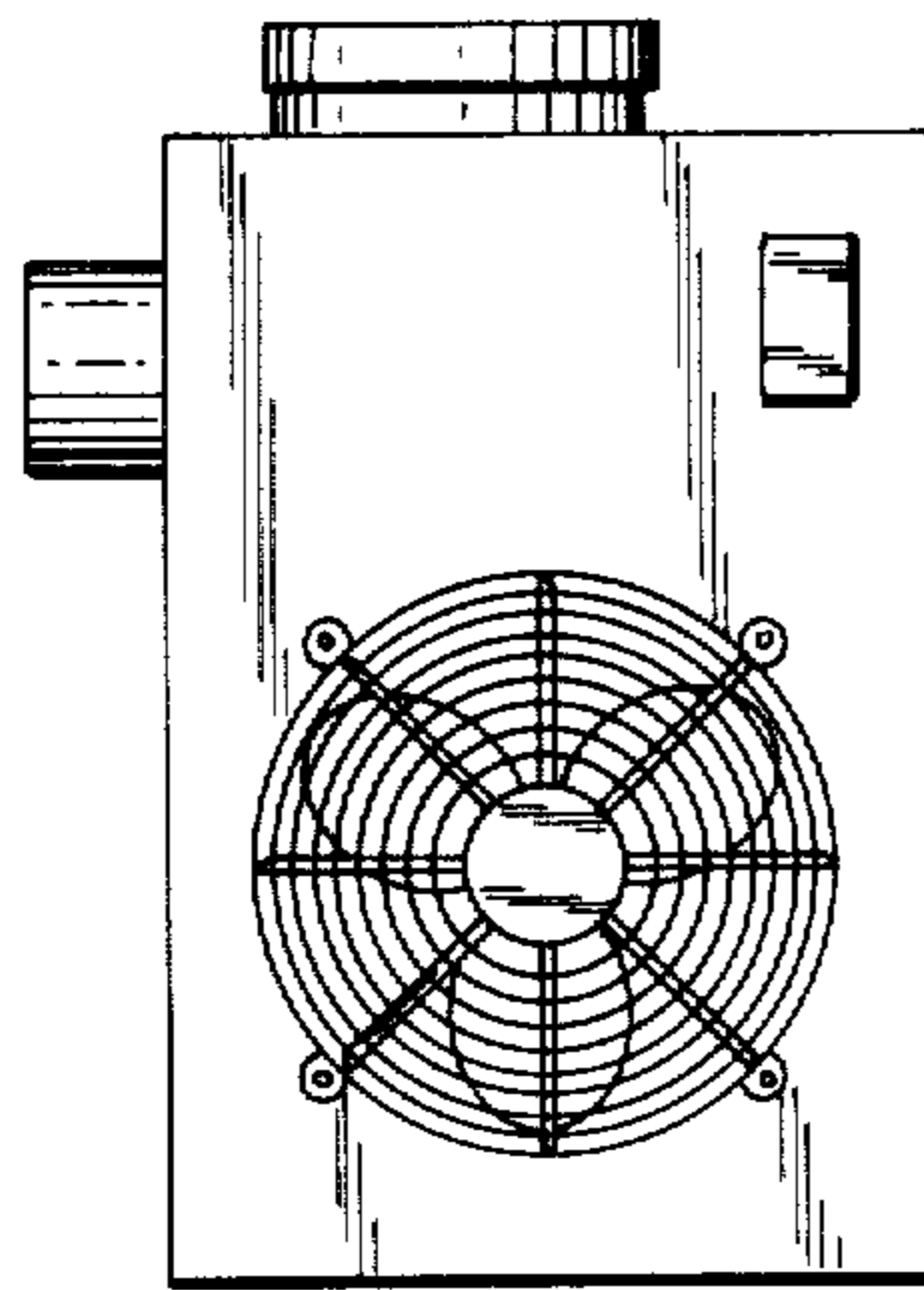
*Fig. 9*



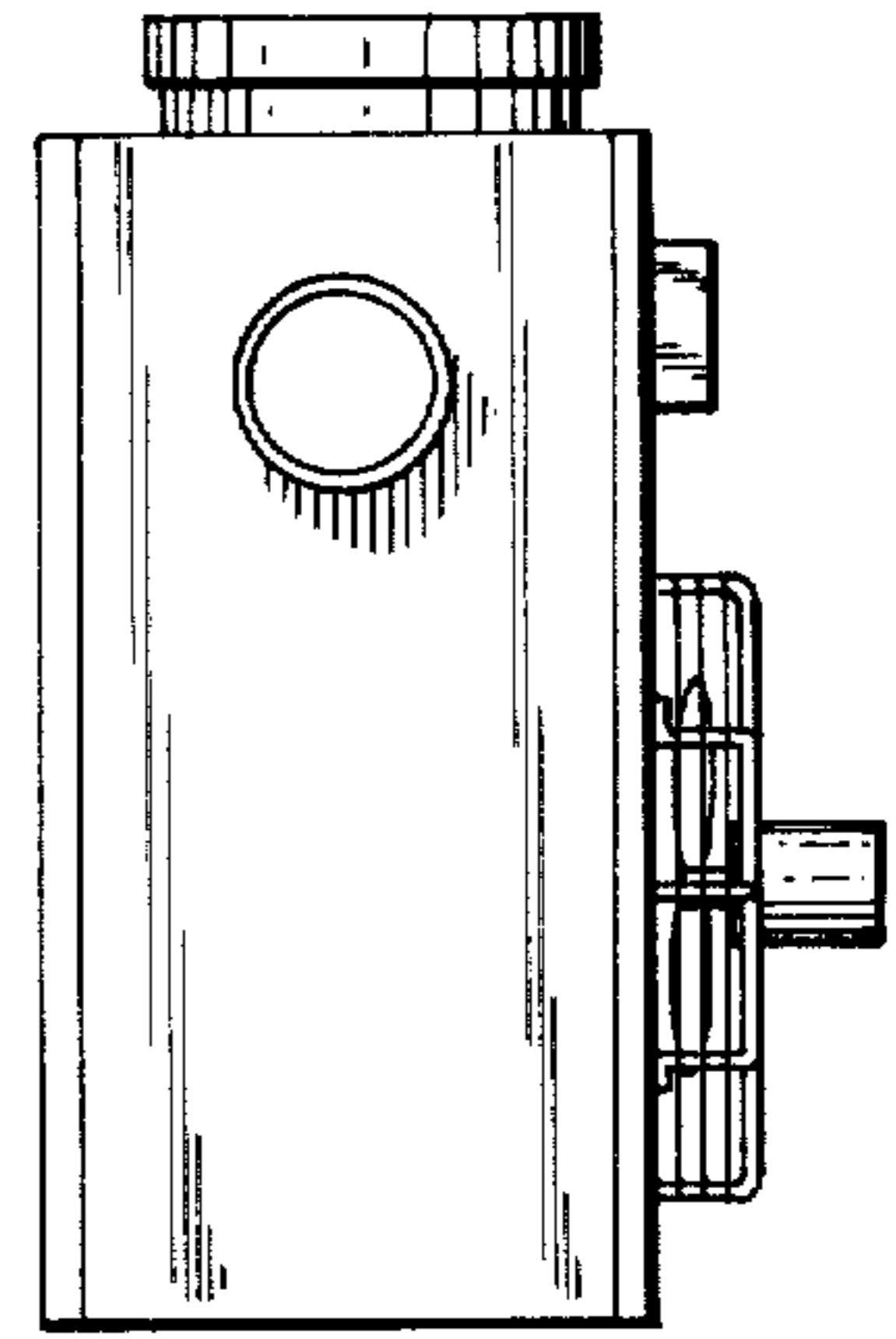
*Fig. 8*



*Fig. 10*



*Fig. 11*



*Fig. 12*