

- [54] DIAPHRAGM VALVE
- [75] Inventor: Tomoyuki Ueda, Nobeoka, Japan
- [73] Assignee: Asahi Yukizai Kogyo Kabushiki Kaisha, Nobeoka, Japan
- [**] Term: 14 Years
- [21] Appl. No.: 136,712
- [22] Filed: Apr. 2, 1980
- [30] Foreign Application Priority Data
Oct. 31, 1979 [JP] Japan 54-45549
- [51] Int. Cl. D23-01
- [52] U.S. Cl. D23/19
- [58] Field of Search D23/19-23;
251/331

2,710,629	6/1955	Price	251/331
2,947,325	8/1960	McFarland, Jr.	251/331
3,020,020	2/1962	Boteler	251/331
3,130,954	4/1964	McFarland, Jr.	251/331
3,154,286	10/1964	McFarland, Jr.	251/331
3,181,990	5/1965	Reiling	251/331 X
3,310,281	3/1967	Boteler	251/331
3,502,300	3/1970	Harris	251/331

Primary Examiner—James R. Largen
Attorney, Agent, or Firm—Cushman, Darby & Cushman

[57] CLAIM

The ornamental design for a diaphragm valve, as shown.

DESCRIPTION

FIG. 1 is a top perspective view of a diaphragm valve showing my new design;
FIG. 2 is a bottom perspective view thereof;
FIG. 3 is a bottom plan view thereof;
FIG. 4 is a cross sectional view taken on line 4—4 of FIG. 3 and;
FIG. 5 is a cross sectional view taken on line 5—5 of FIG. 3.

- [56] References Cited
- U.S. PATENT DOCUMENTS
- 2,302,930 11/1942 Anderson 251/331
- 2,615,471 10/1952 McFarland, Jr. D23/19 X

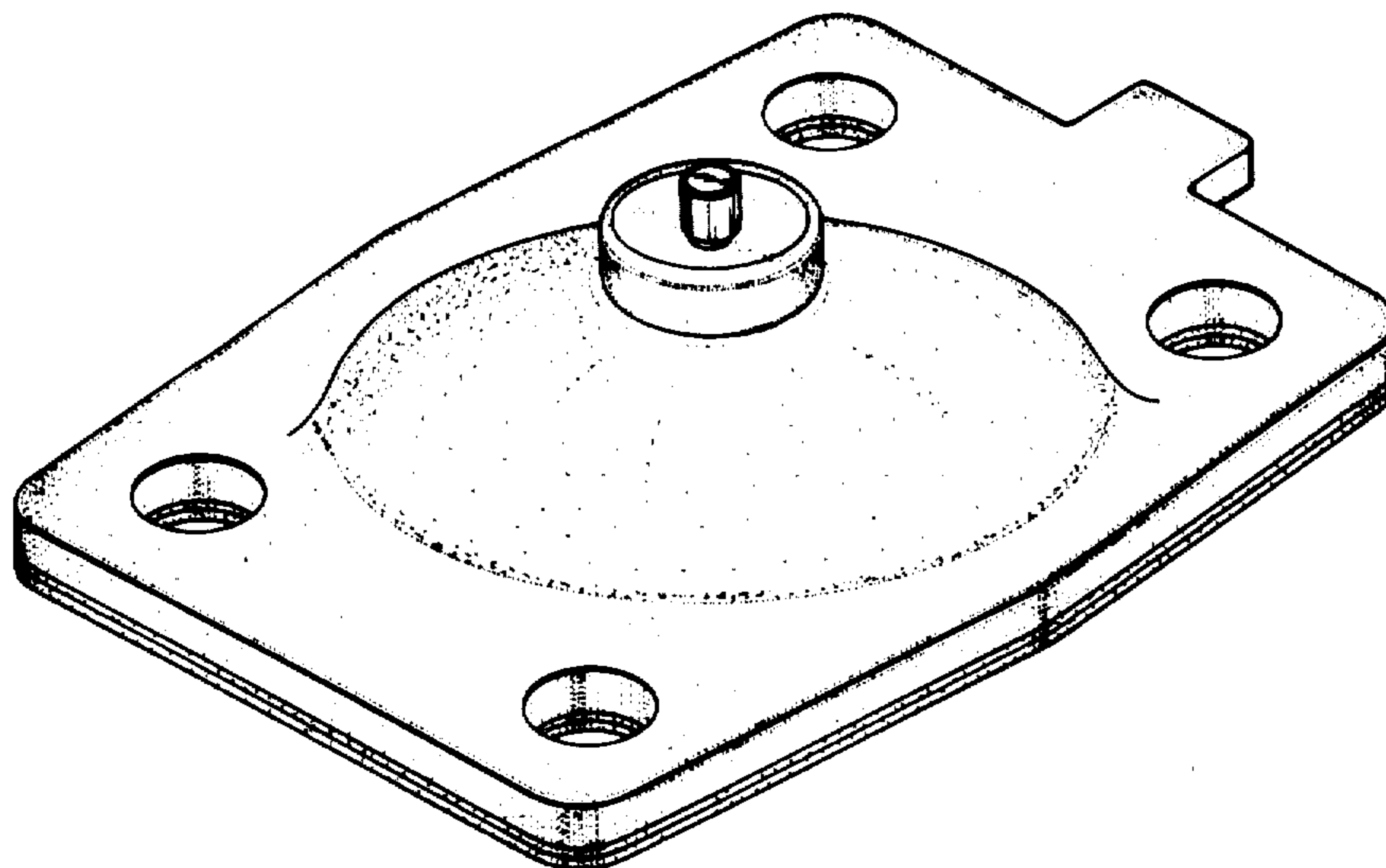


FIG. 1

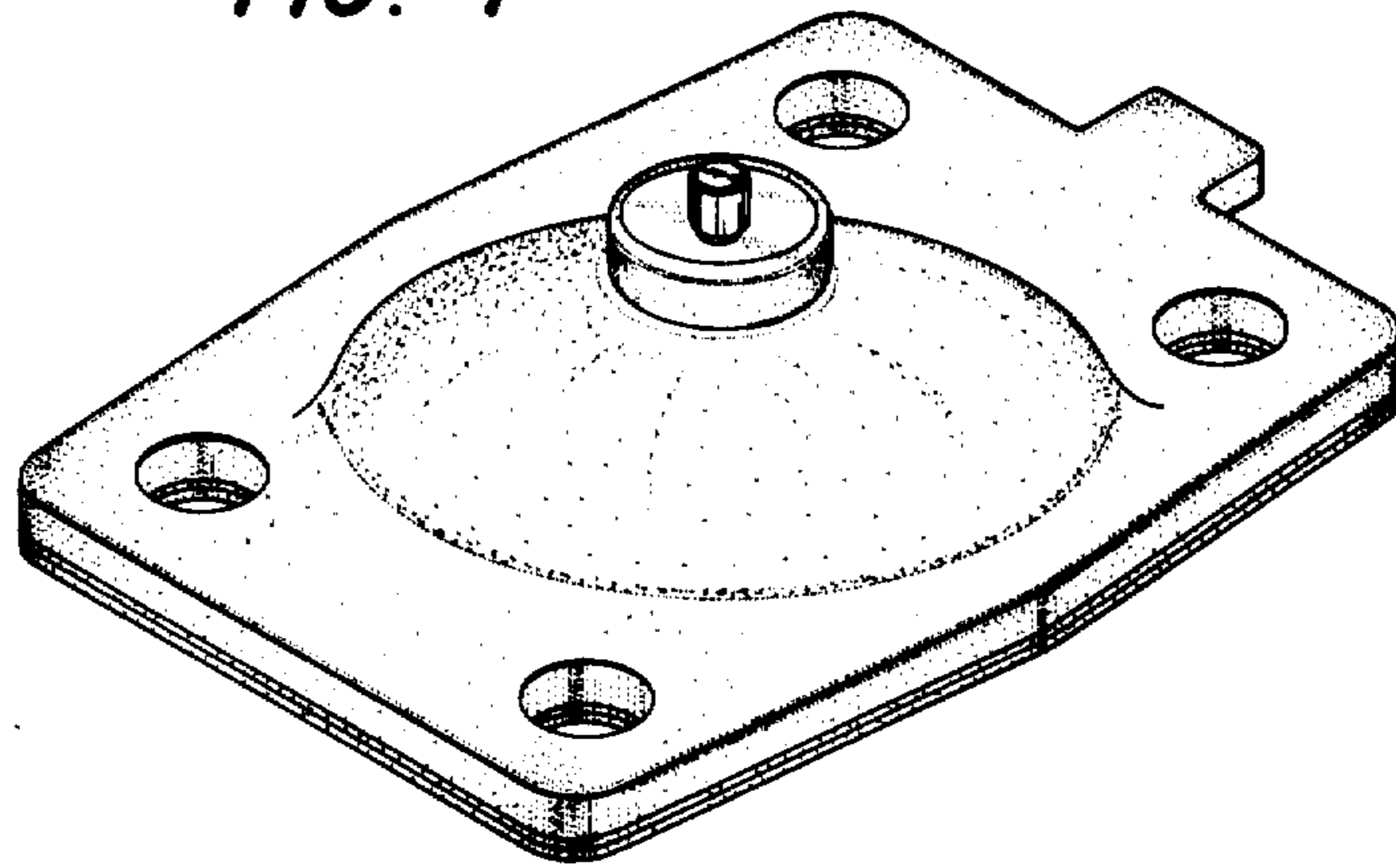


FIG. 2

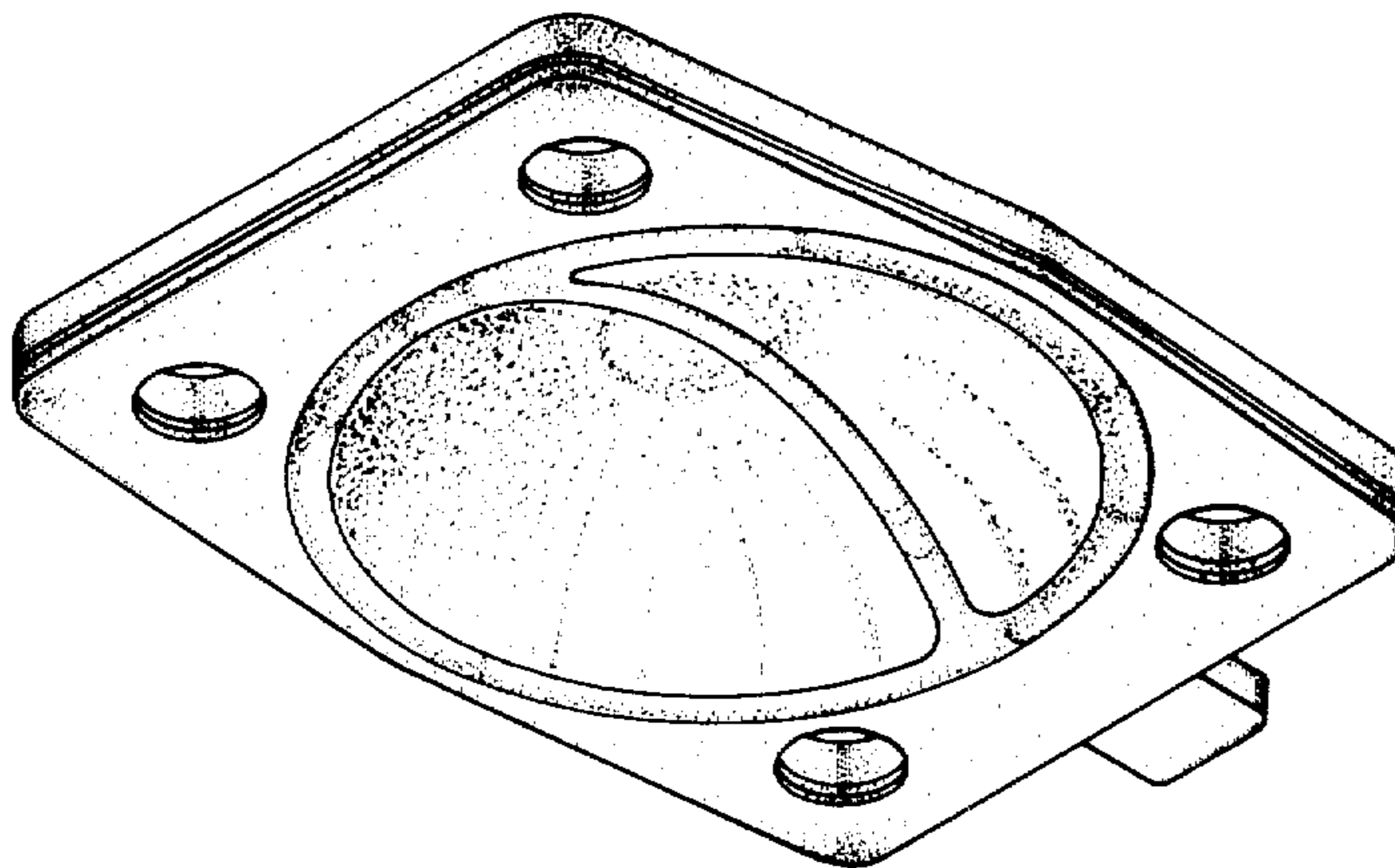


FIG. 3

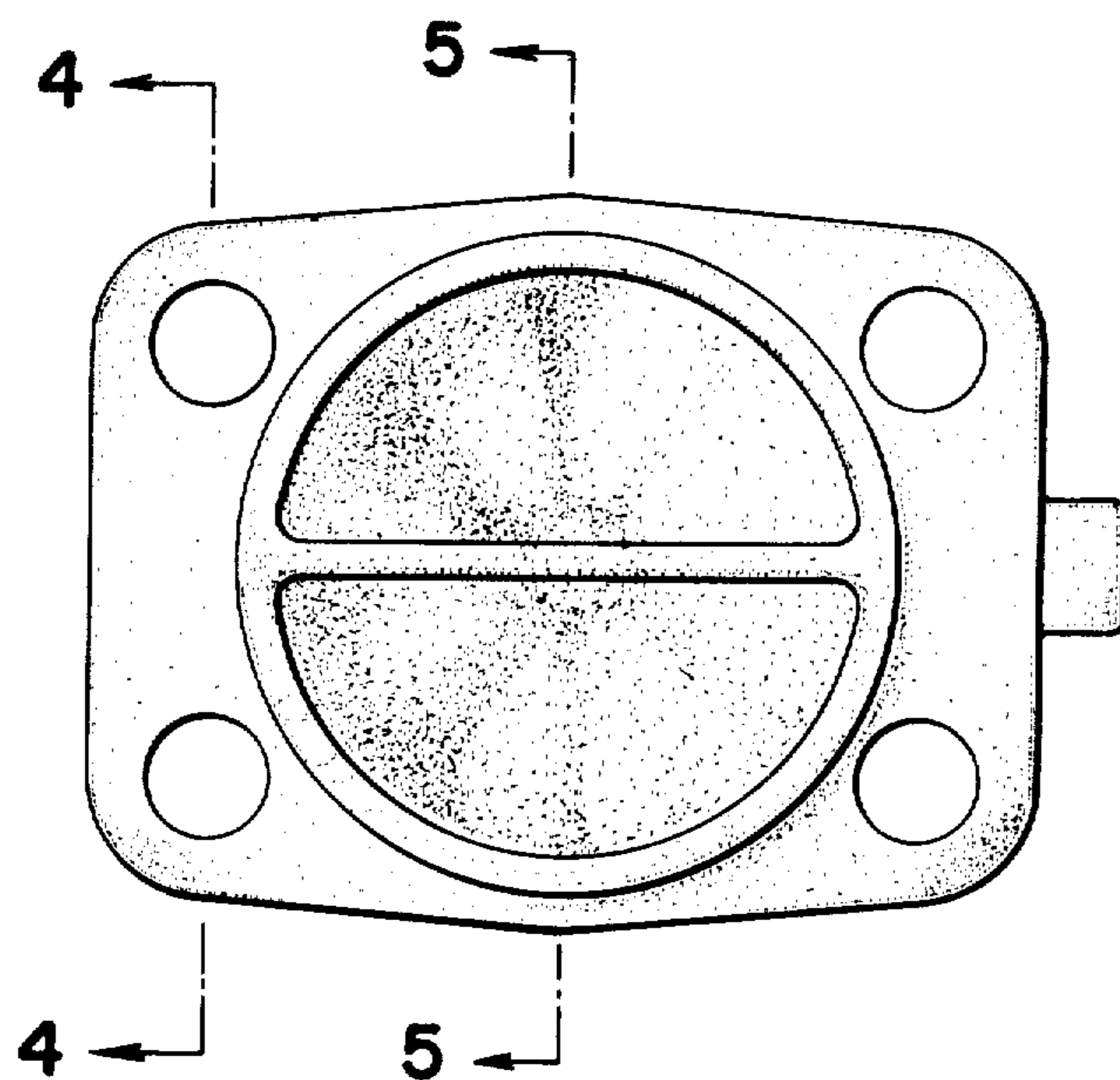


FIG. 4



FIG. 5

