

[54] DIAPHRAGM VALVE

[75] Inventor: Tomoyuki Ueda, Nobeoka, Japan

[73] Assignee: Asahi Yukizai Kogyo Kabushiki Kaisha, Nobeoka, Japan

[**] Term: 14 Years

[21] Appl. No.: 136,711

[22] Filed: Apr. 2, 1980

[30] Foreign Application Priority Data

Oct. 31, 1979 [JP]	Japan	54-45550
Oct. 31, 1979 [JP]	Japan	54-45551
Oct. 31, 1979 [JP]	Japan	54-45552

[51] Int. Cl. D23-01

[52] U.S. Cl. D23/19

[58] Field of Search D23/19-22; 251/331

[56] References Cited

U.S. PATENT DOCUMENTS

2,302,930	11/1942	Anderson	251/331
3,020,020	2/1962	Boteler	251/331
3,502,300	3/1970	Harris	251/331

FOREIGN PATENT DOCUMENTS

1100573 5/1954 France 251/331

Primary Examiner—James R. Largen
Attorney, Agent, or Firm—Cushman, Darby & Cushman

[57] CLAIM

The ornamental design for a diaphragm valve, as shown and described.

DESCRIPTION

FIG. 1 is a top perspective view of a diaphragm valve showing my new design,
 FIG. 2 is a bottom perspective view thereof,
 FIG. 3 is a bottom plan view thereof,
 FIG. 4 is a cross-sectional view taken on line 4—4 of FIG. 3;
 FIG. 5 is a top perspective view of a modified form of the diaphragm valve shown in FIG. 1;
 FIG. 6 is a bottom perspective view of FIG. 5;
 FIG. 7 is a bottom plan view of FIG. 5;
 FIG. 8 is a cross-sectional view taken on line 8—8 of FIG. 7;
 FIG. 9 is a top perspective view of a second modified form of the diaphragm valve shown in FIG. 1;
 FIG. 10 is a bottom perspective view of FIG. 9;
 FIG. 11 is a bottom plan view of FIG. 9; and
 FIG. 12 is a cross-sectional view taken on line 12—12 of FIG. 11.

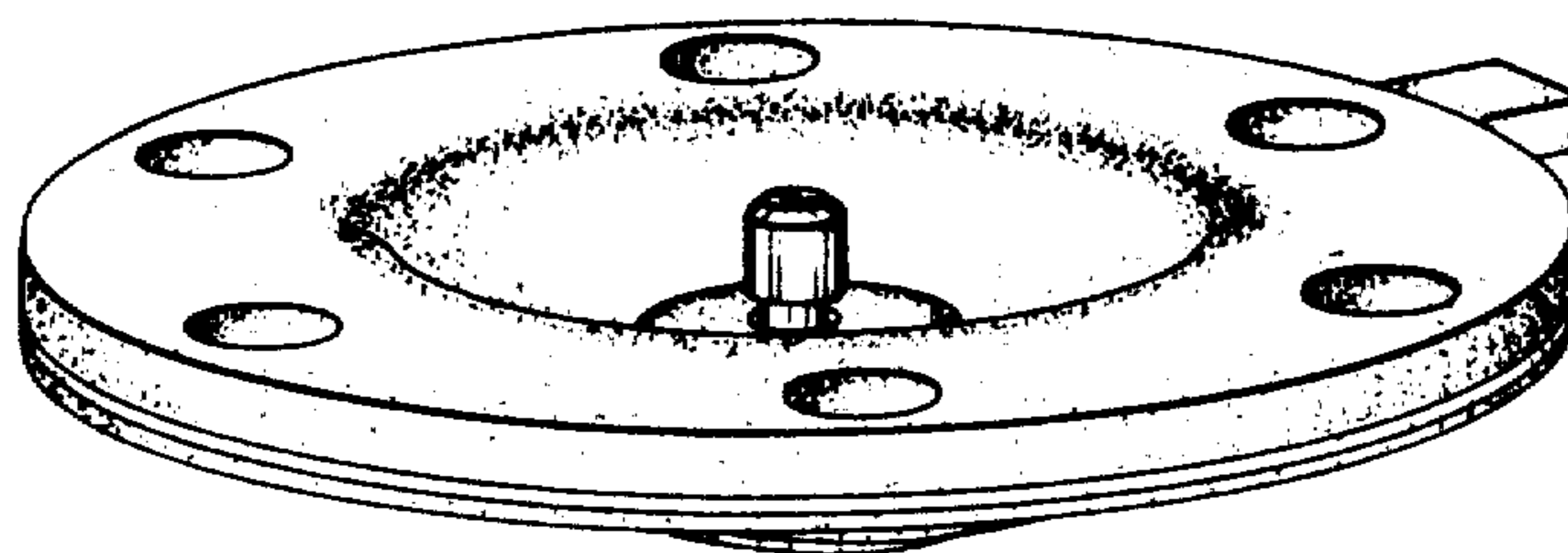


FIG. 1

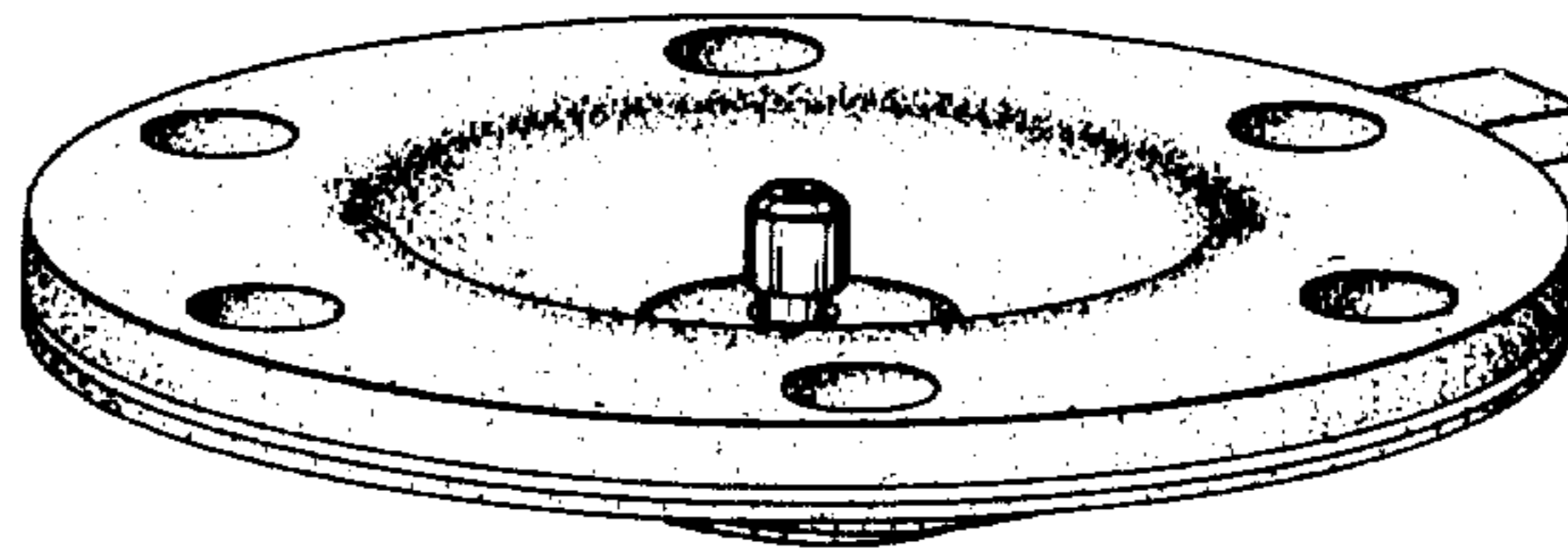


FIG. 2

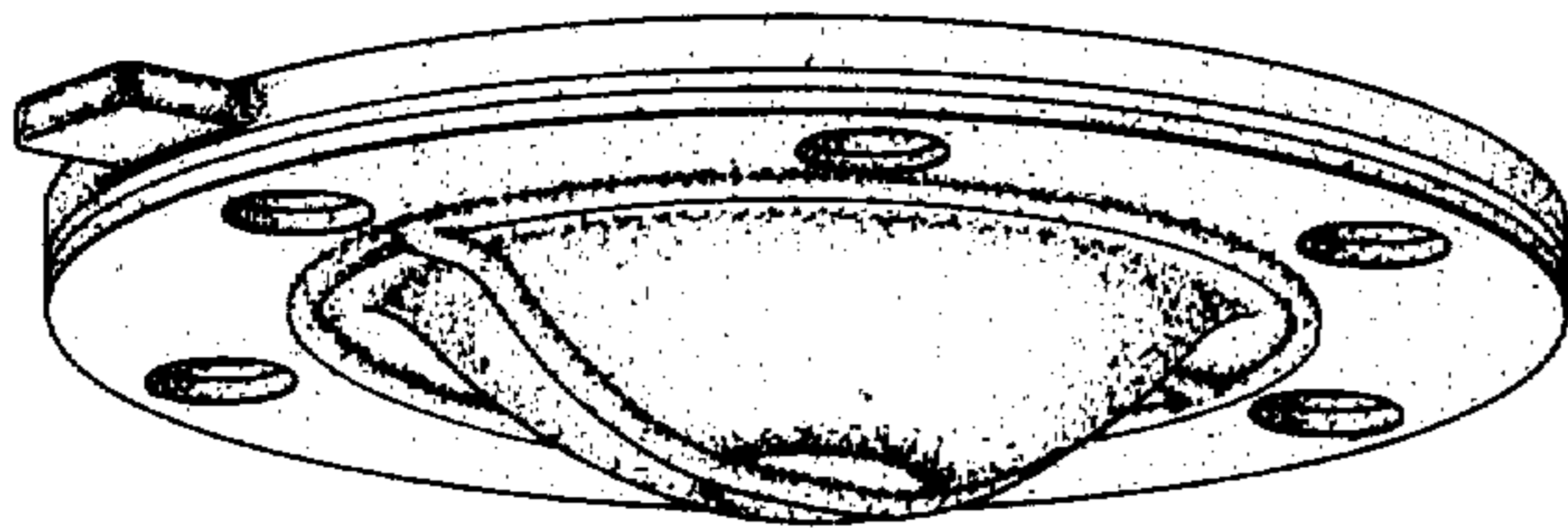


FIG. 3

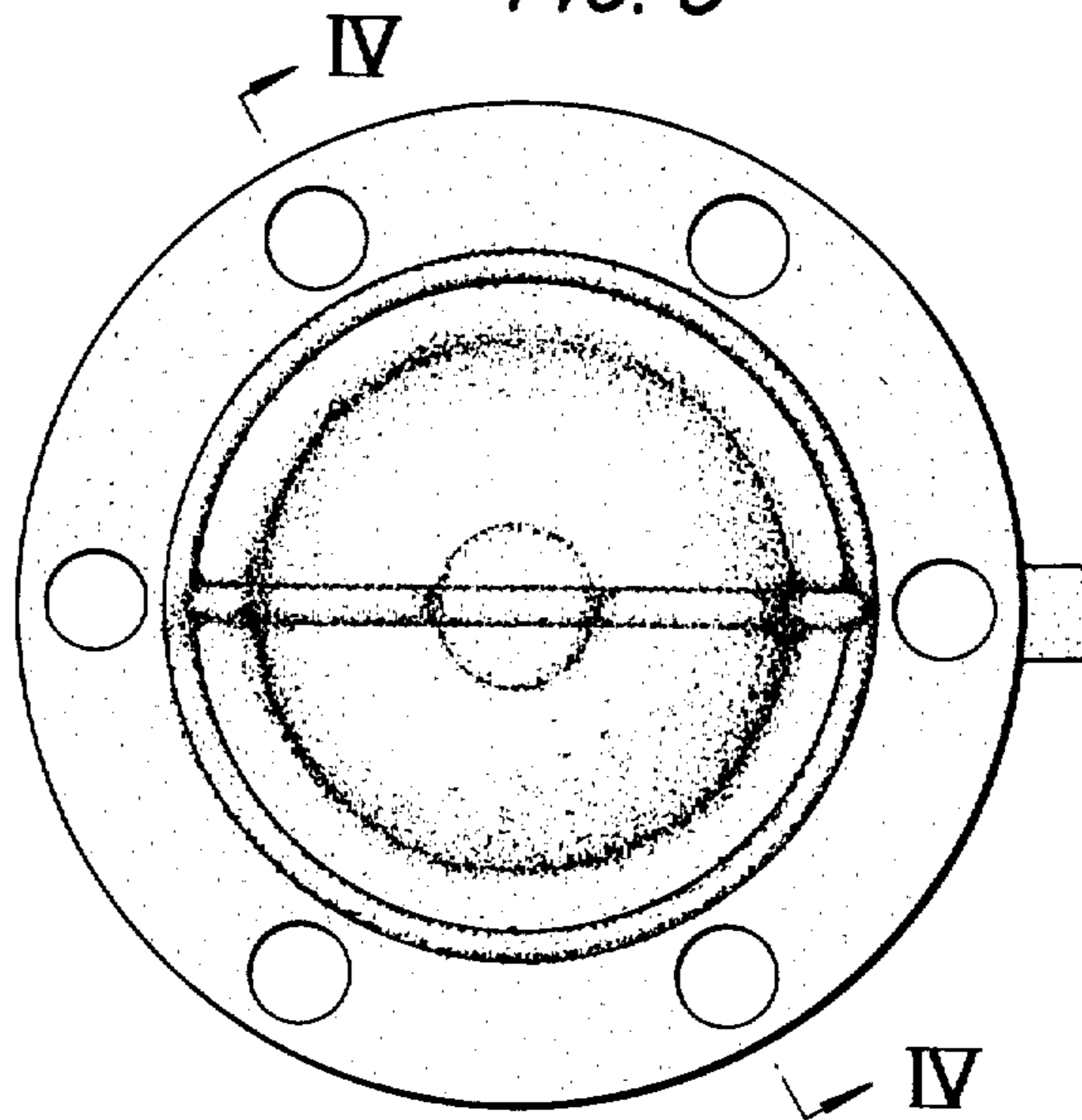


FIG. 4

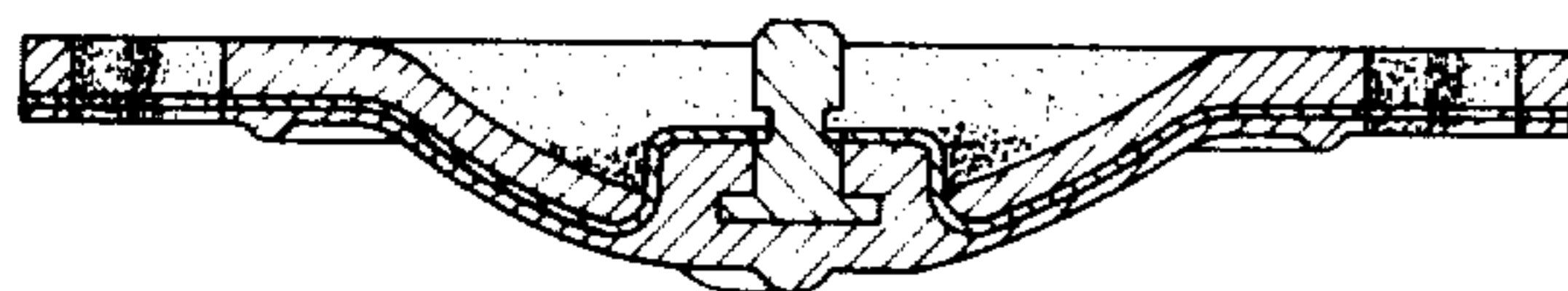


FIG. 5

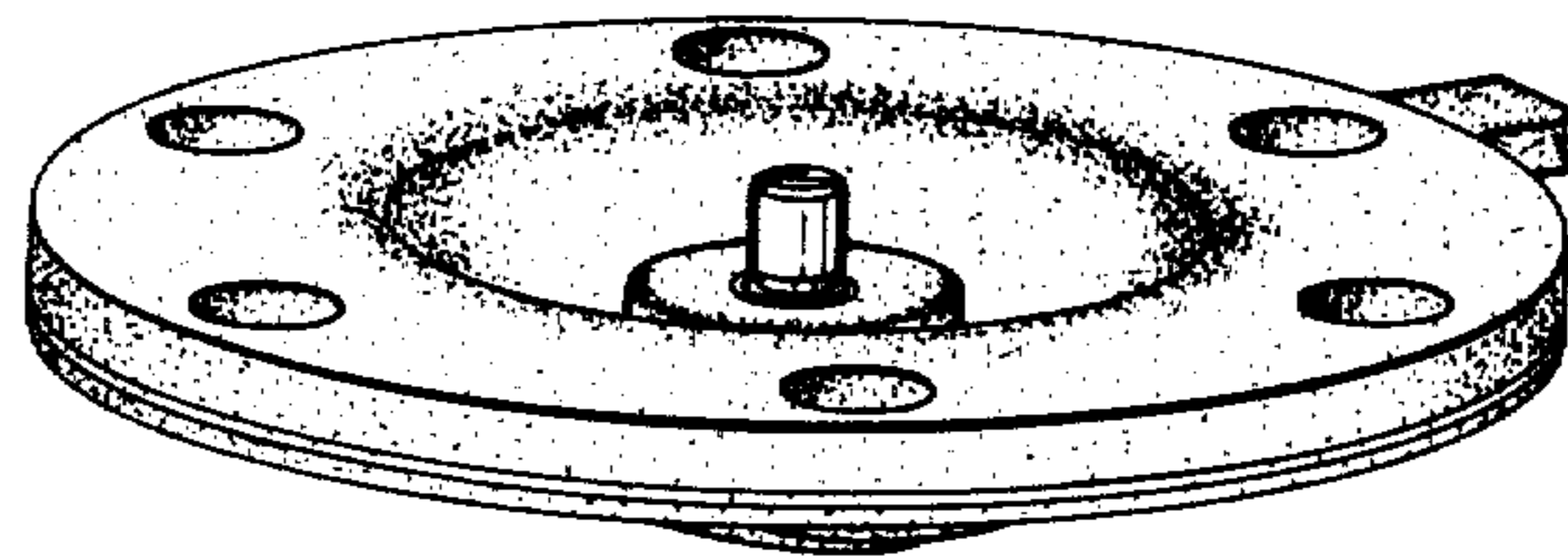


FIG. 6

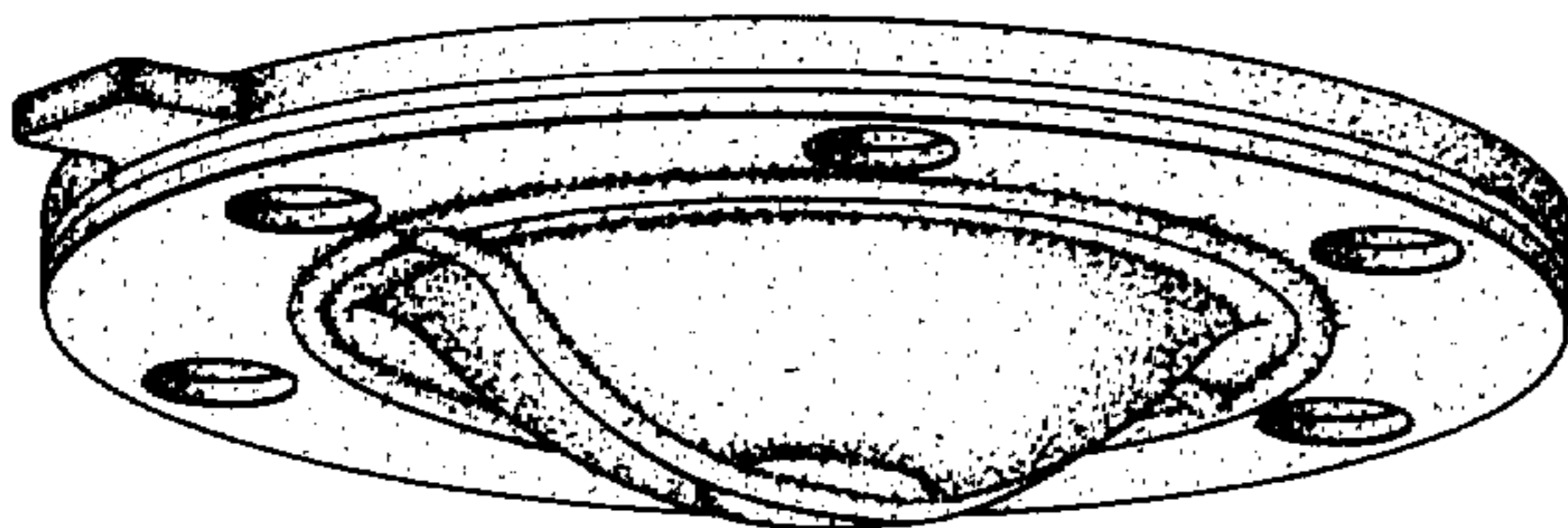


FIG. 7

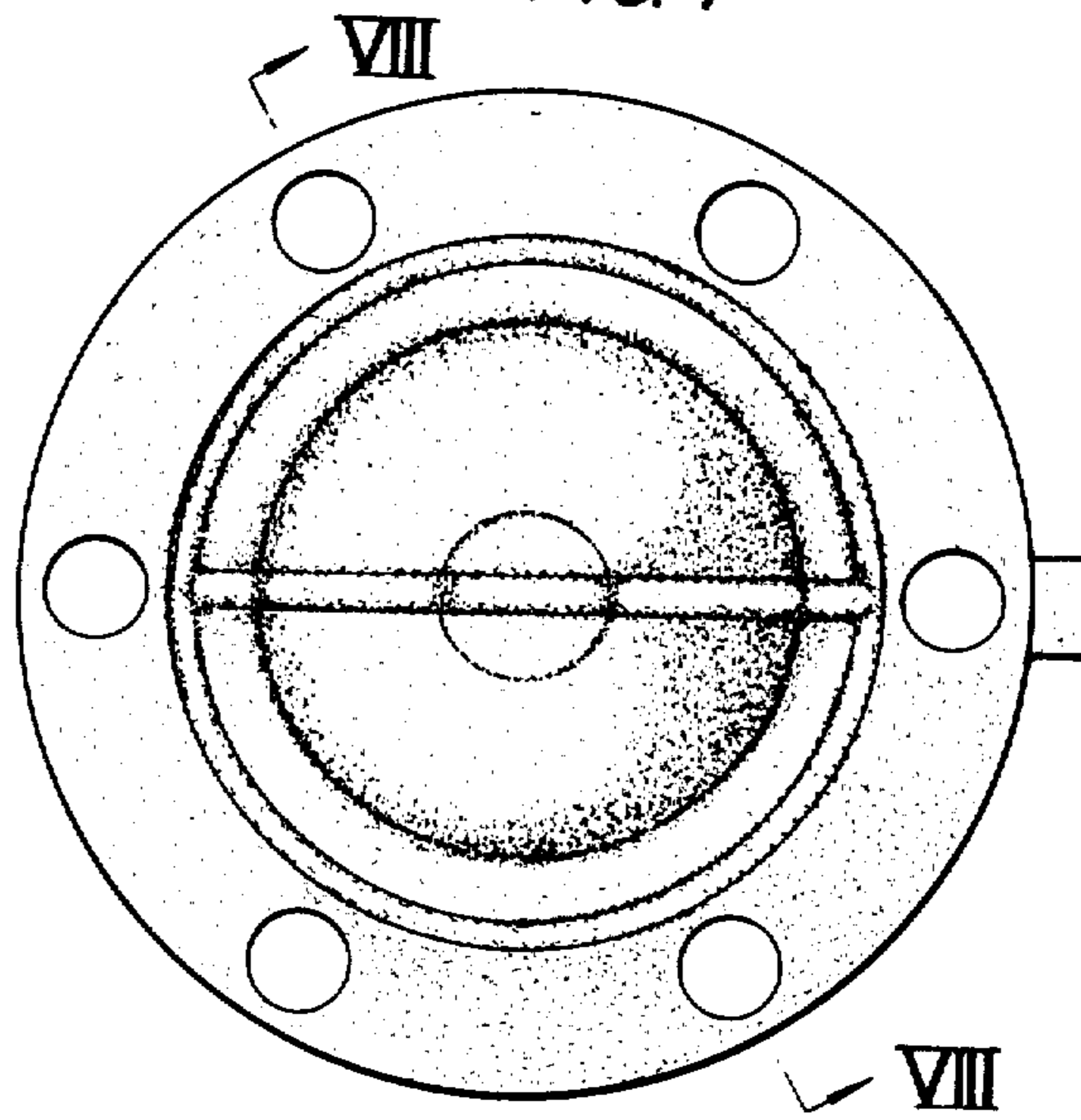


FIG. 8

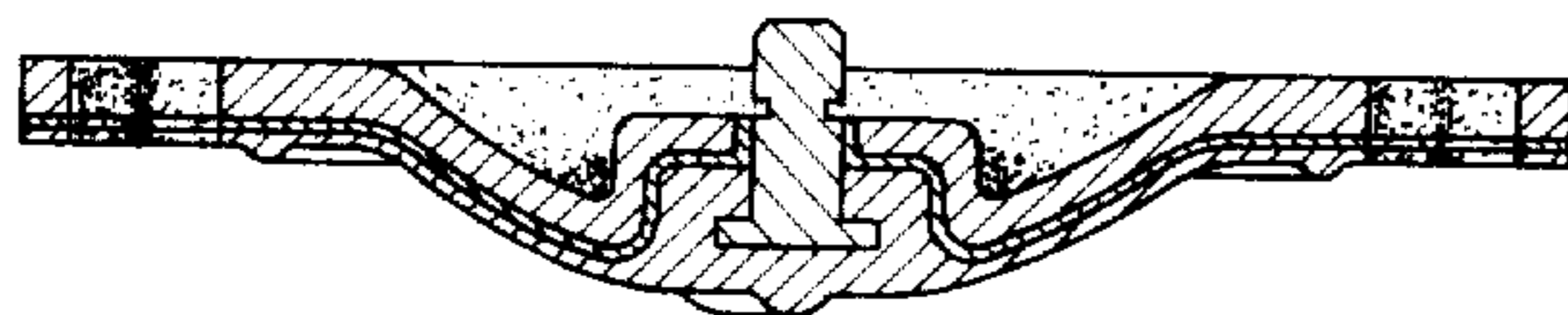


FIG. 9

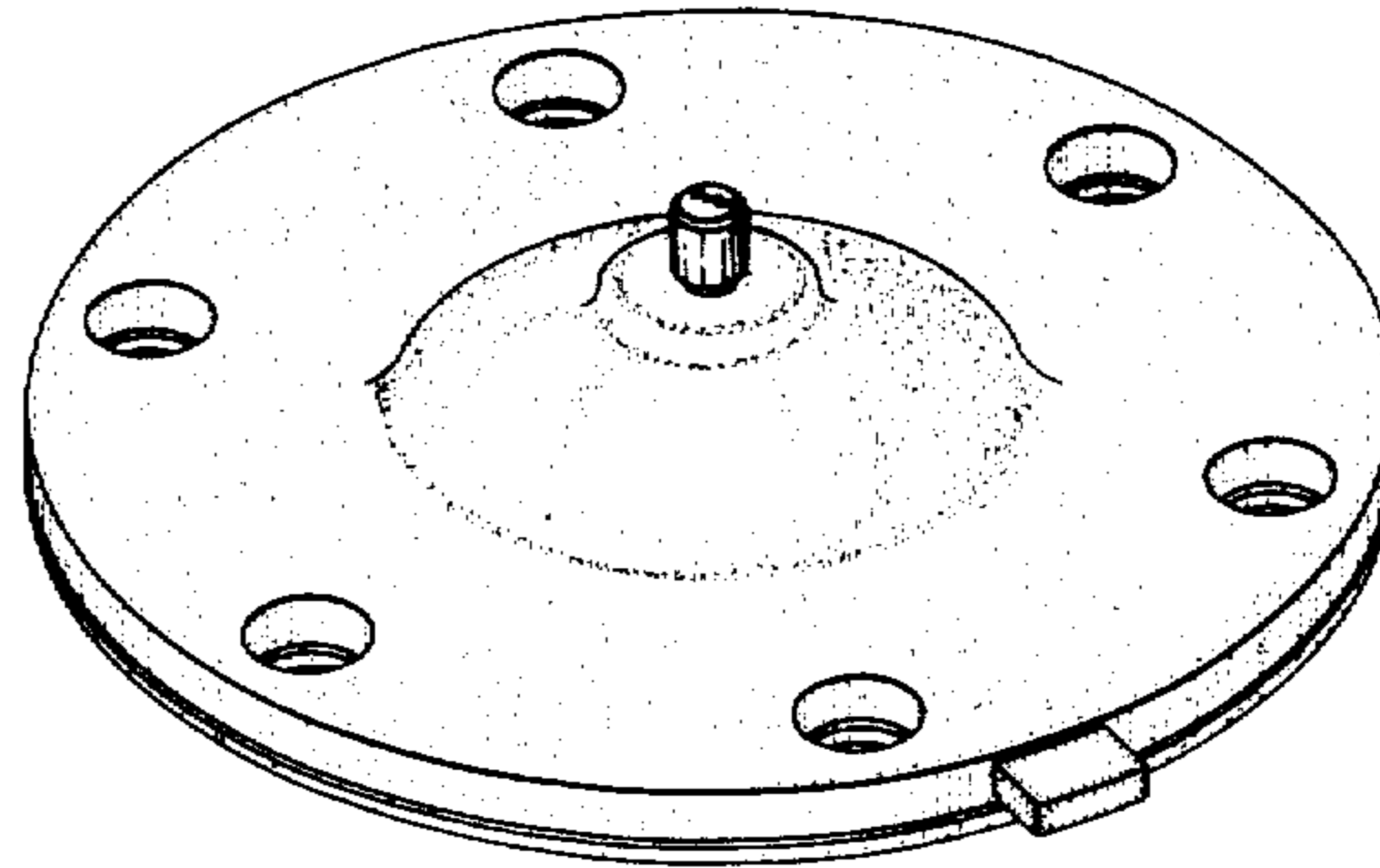


FIG. 10

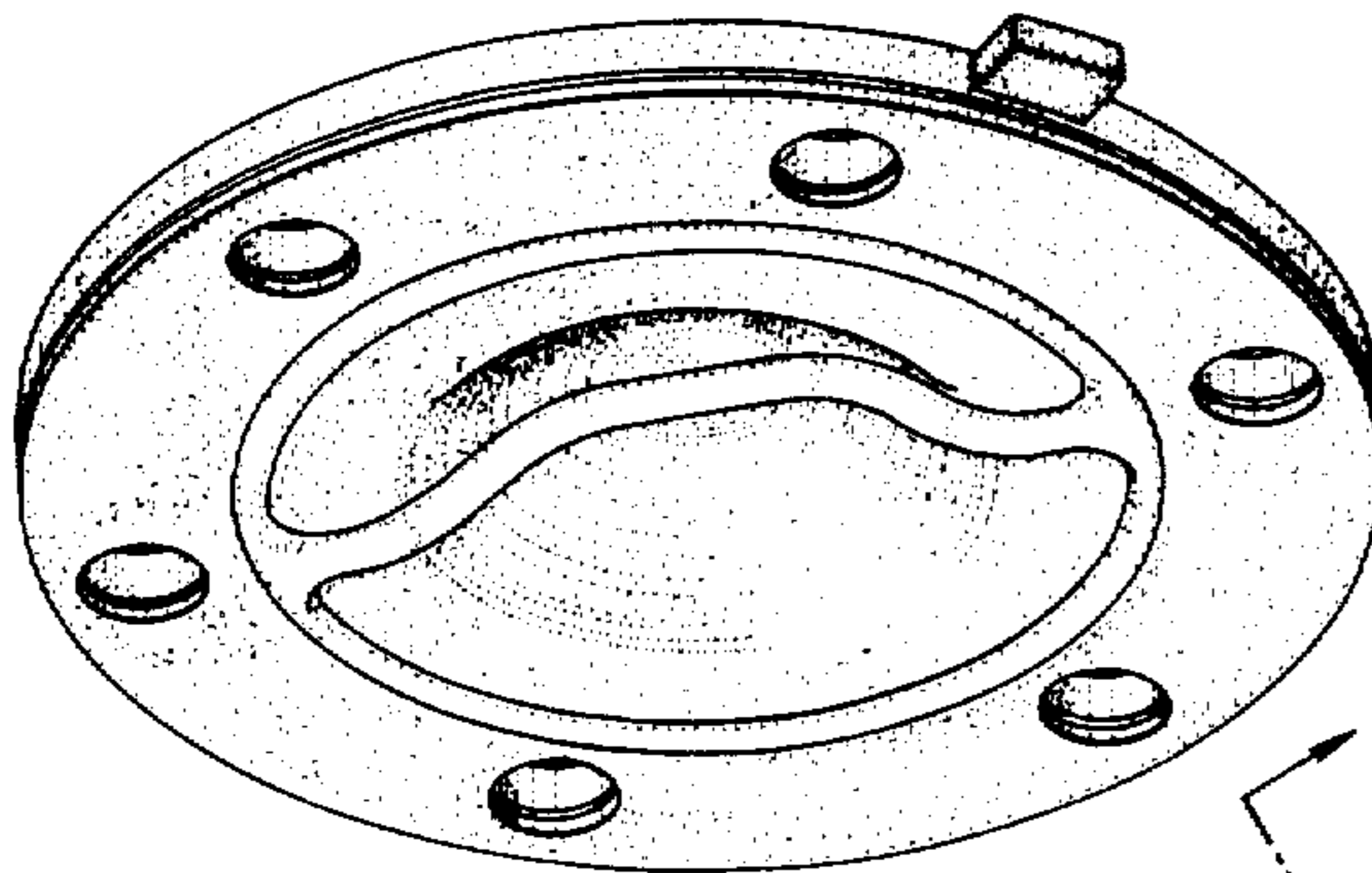


FIG. 11

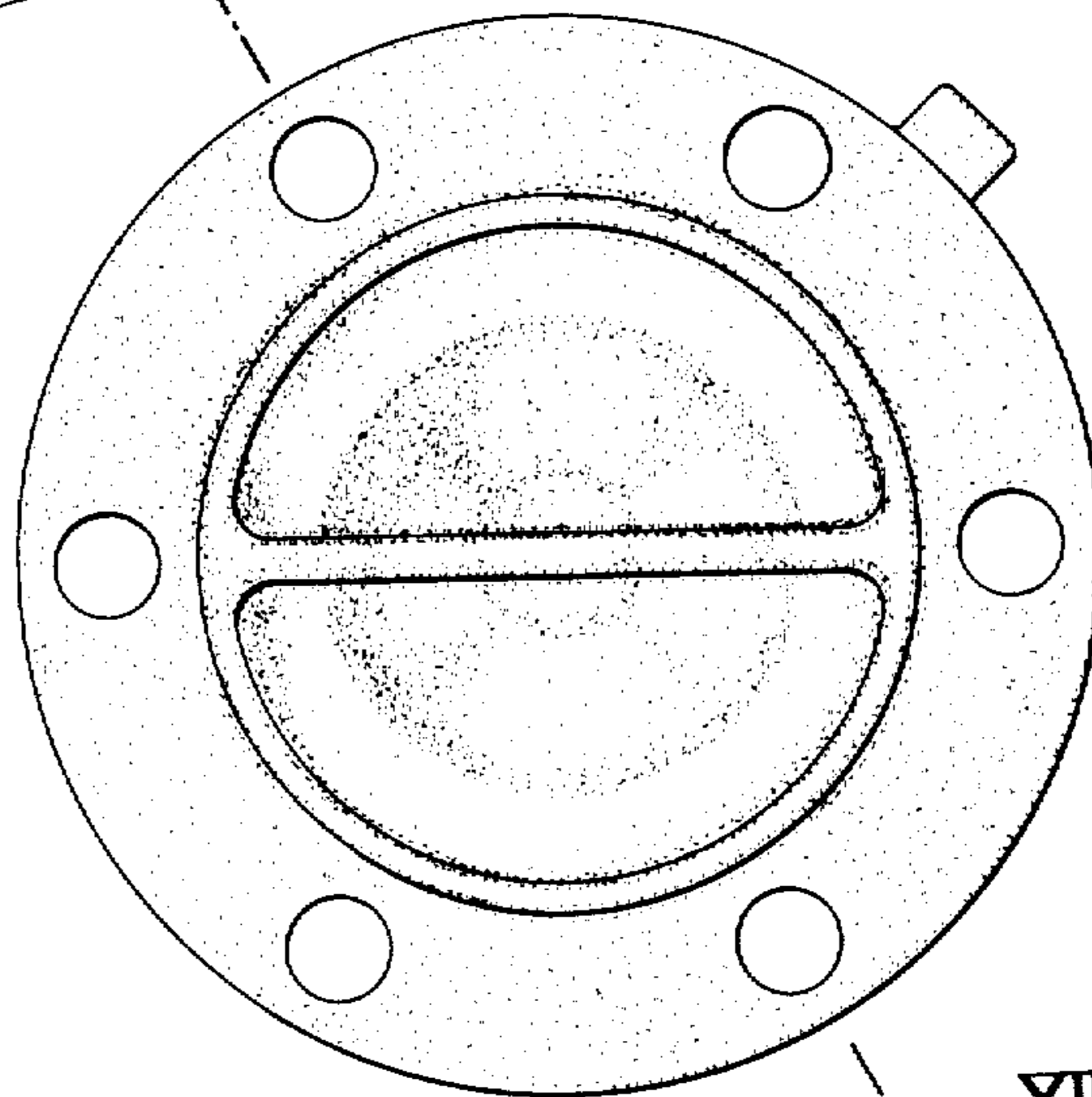


FIG. 12

