

[54] **TOY PRINT HOLDER**

- [75] Inventor: **Gary R. Lemmeyer**, East Aurora, N.Y.
- [73] Assignee: **The Quaker Oats Company**, Chicago, Ill.
- [**] Term: **14 Years**
- [21] Appl. No.: **224,293**
- [22] Filed: **Jan. 12, 1981**

- [51] Int. Cl. **D21—01**
- [52] U.S. Cl. **D21/127**
- [58] Field of Search **D21/59, 127, 109;**
D18/99, 13, 14, 15, 18, 24, 29; 46/1 R; 101/1,
407 R, 407 BP

[56] **References Cited**

U.S. PATENT DOCUMENTS

- D. 114,357 4/1939 Walker **D18/99**

OTHER PUBLICATIONS

"Just for Kids" Holiday Catalog, 1979, p. 28, Holder, Part of Master Printer Set.

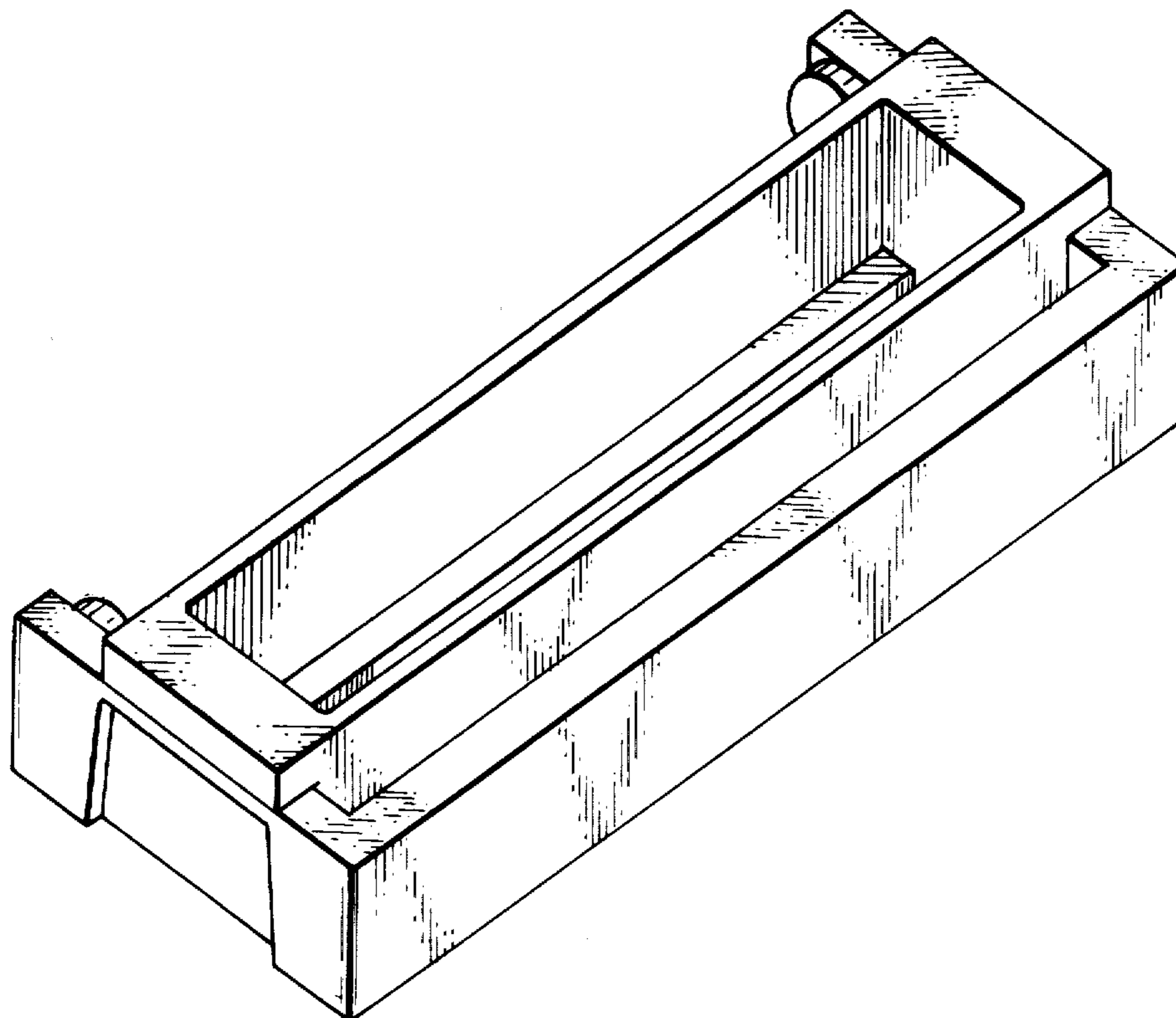
Primary Examiner—Charles A. Rademaker
Attorney, Agent, or Firm—Cumpston & Shaw

[57] **CLAIM**

The ornamental design for a toy print holder, substantially as shown.

DESCRIPTION

FIG. 1 is a front perspective view of a toy print holder showing my new design;
FIG. 2 is a left-end elevational view, the right end being substantially a mirror image;
FIG. 3 is a rear elevational view thereof;
FIG. 4 is a bottom plan view thereof;
FIG. 5 is a top plan view thereof; and
FIG. 6 is an elevational view along the line 6—6 of FIG. 5.



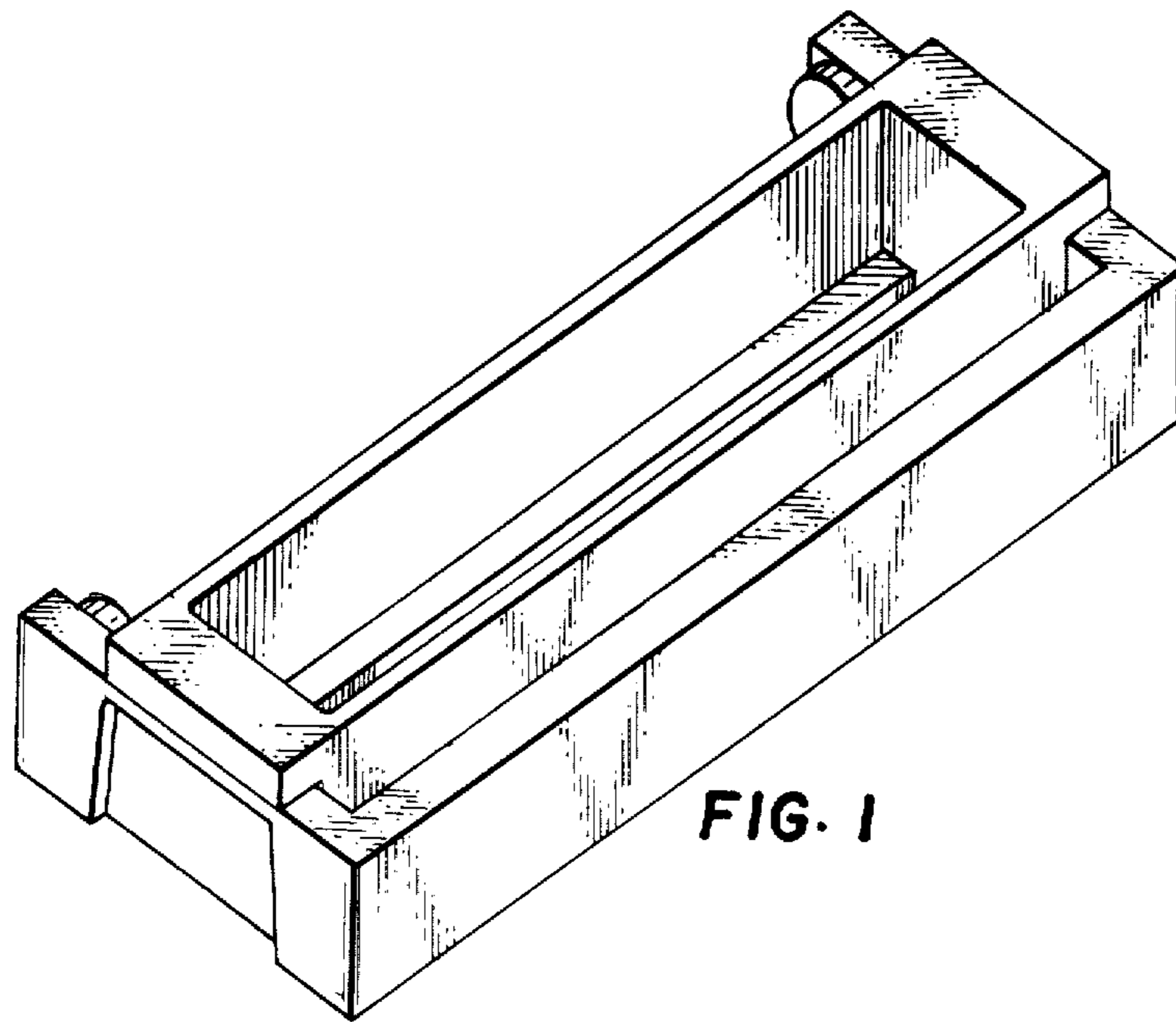


FIG. 1

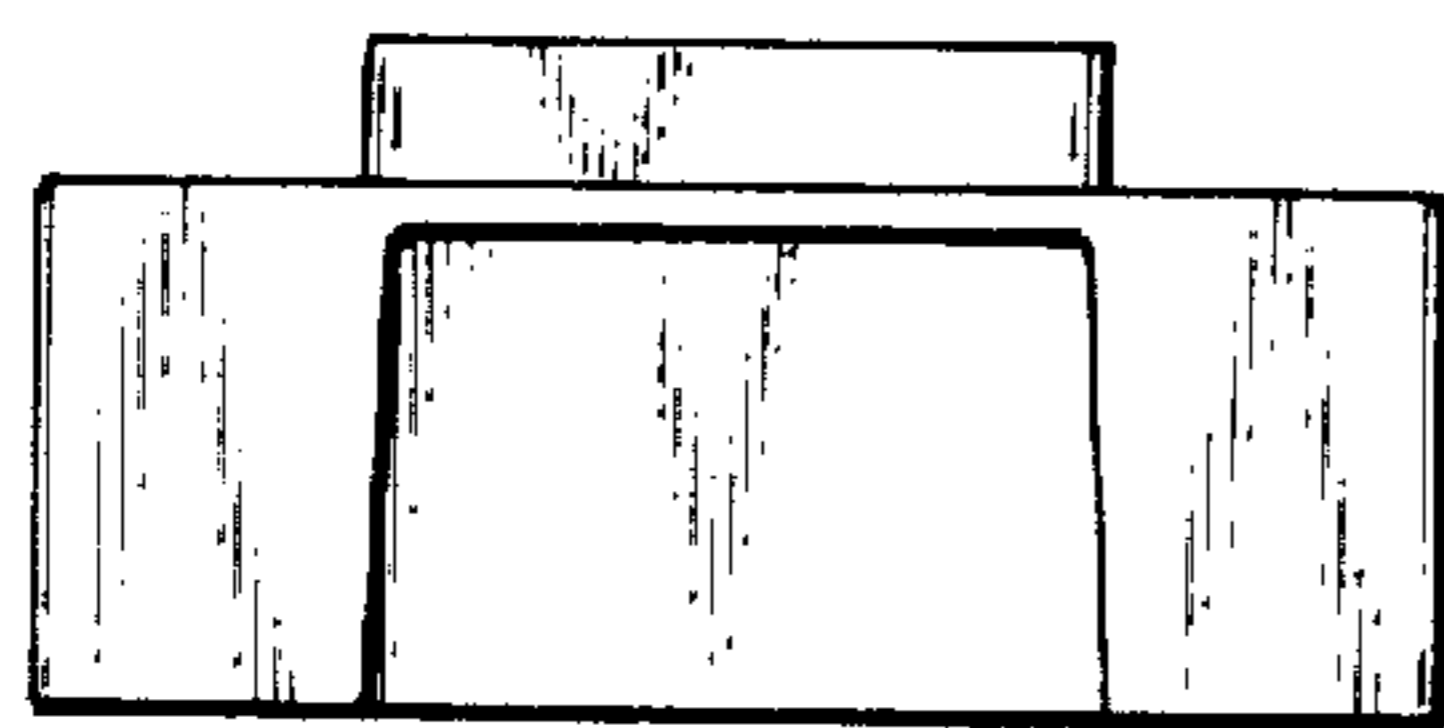


FIG. 2

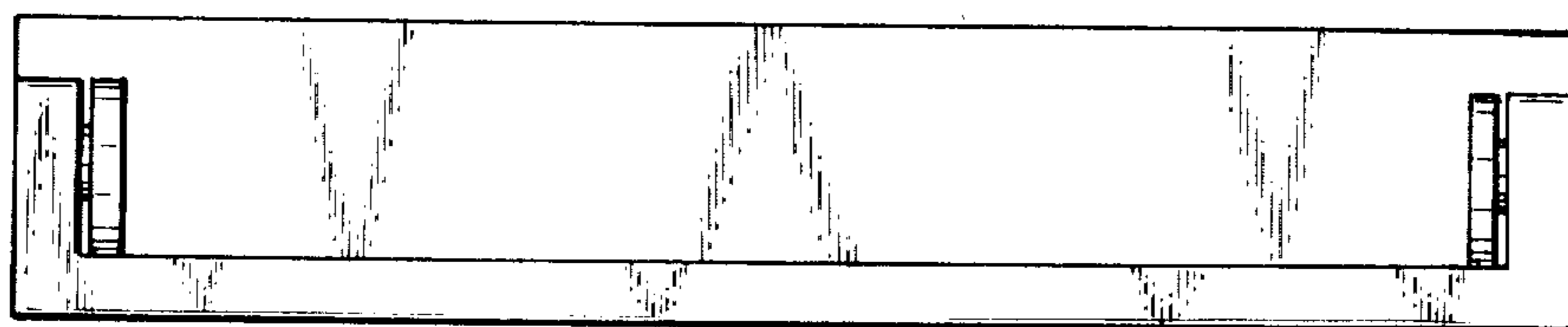


FIG. 3

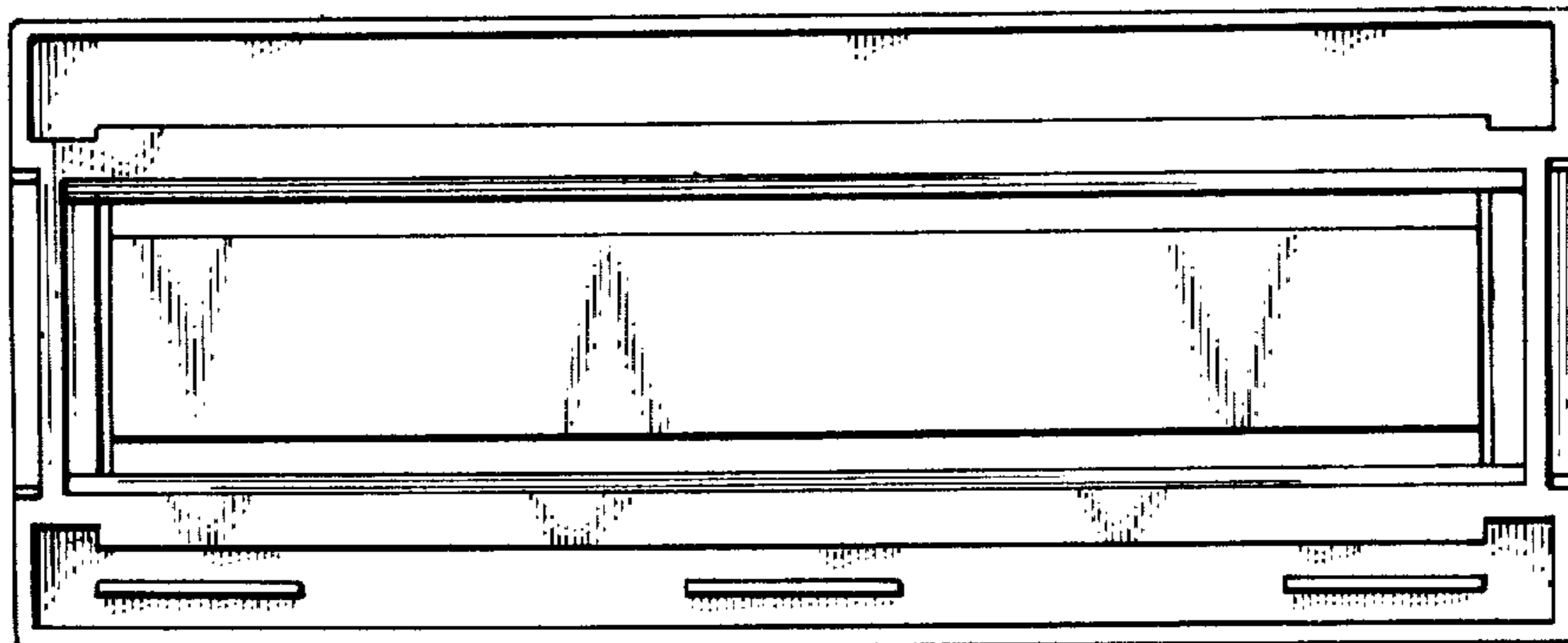


FIG. 4

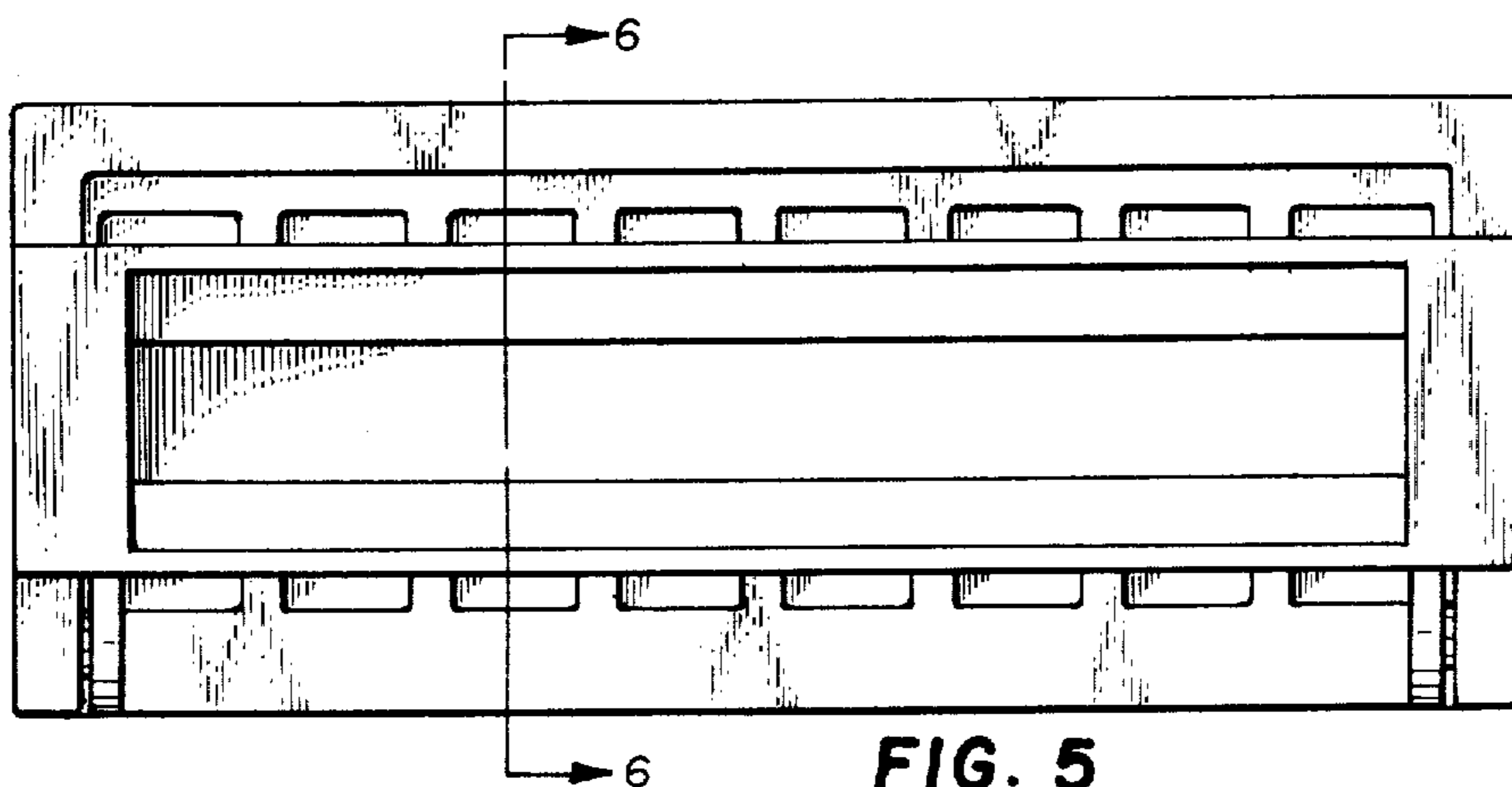


FIG. 5

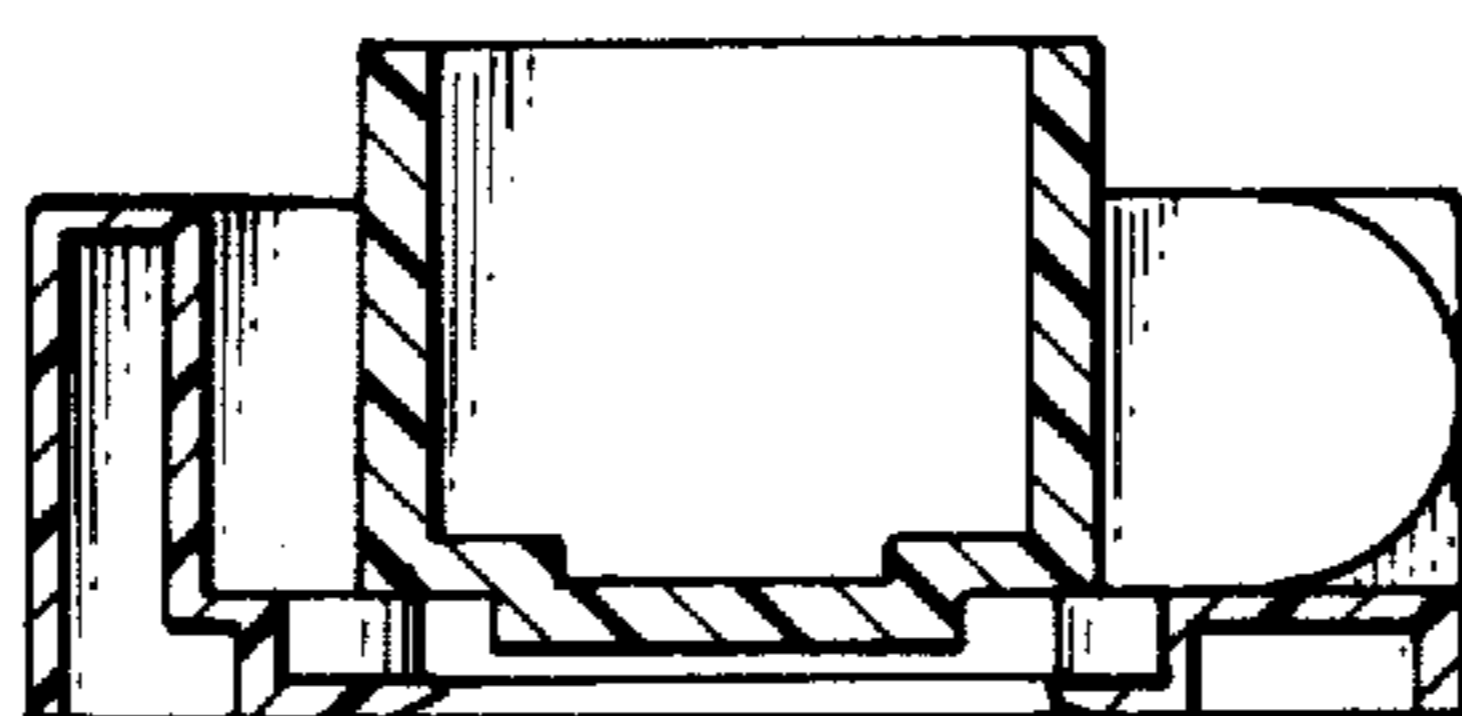


FIG. 6