

[54] TOY EXTRUDER

1,820,661 8/1931 Gilbert 46/39

[76] Inventor: Henry Orenstein, 136 Lakeside Ave., Verona, N.J. 07044

Primary Examiner—Charles A. Rademaker
Attorney, Agent, or Firm—Gottlieb, Rackman & Reisman

[**] Term: 3½ Years

[21] Appl. No.: 159,052

[57] CLAIM

[22] Filed: Jun. 13, 1980

The ornamental design for a toy extruder, as shown and described.

[51] Int. Cl. D21—01

DESCRIPTION

[52] U.S. Cl. D21/124; D21/59

[58] Field of Search D21/59, 109, 124, 125, D21/126; 46/1 R, 39, 40

FIG. 1 is a top plan view of a toy extruder showing my new design;

FIG. 2 is a front elevational view thereof;

FIG. 3 is a right side elevational view thereof;

FIG. 4 is a left side elevational view thereof;

FIG. 5 is a rear elevational view thereof; and,

FIG. 6 is a bottom plan view thereof.

[56] References Cited

U.S. PATENT DOCUMENTS

D. 81,328 6/1930 Giesler D21/125

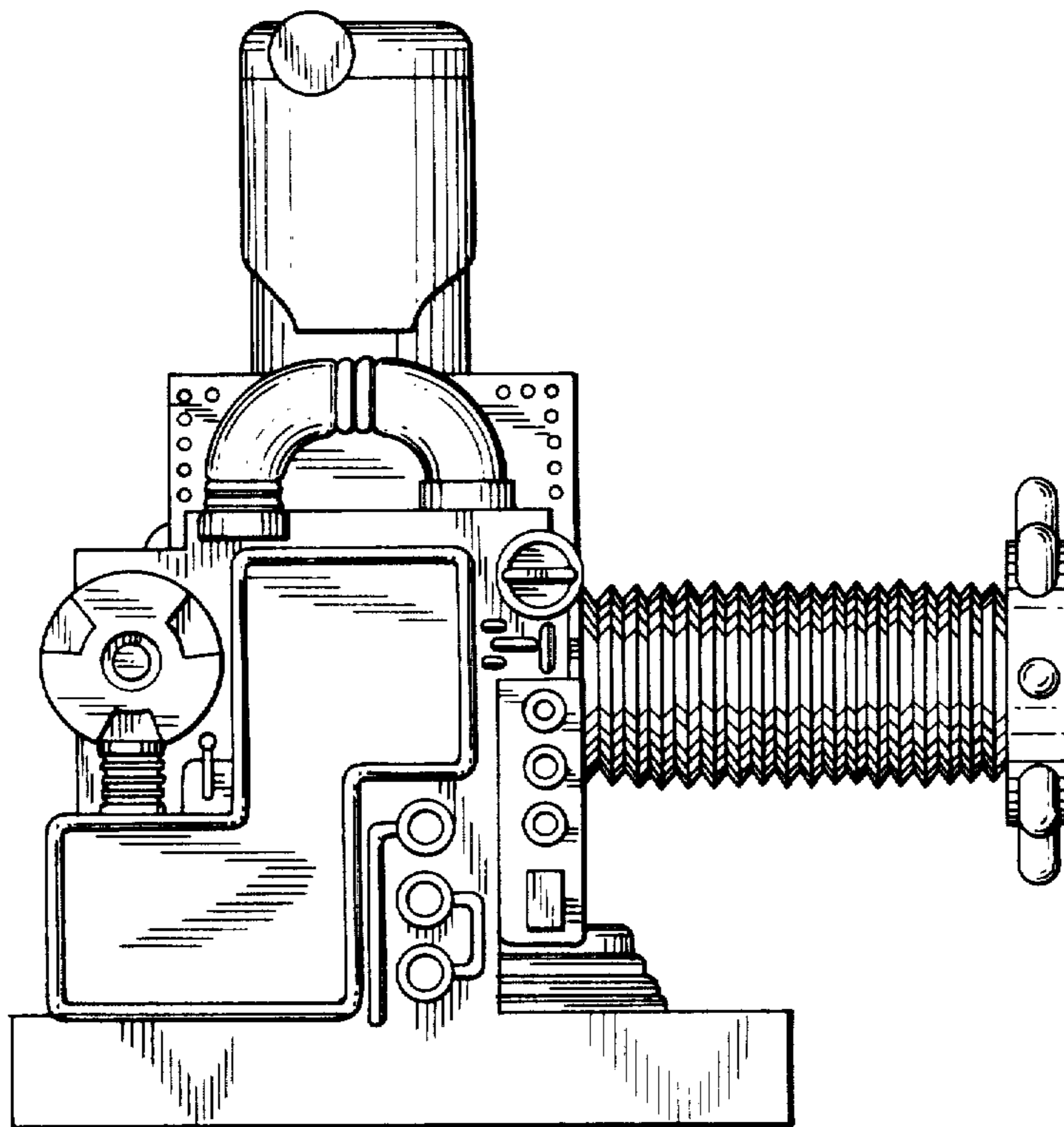


FIG. 1

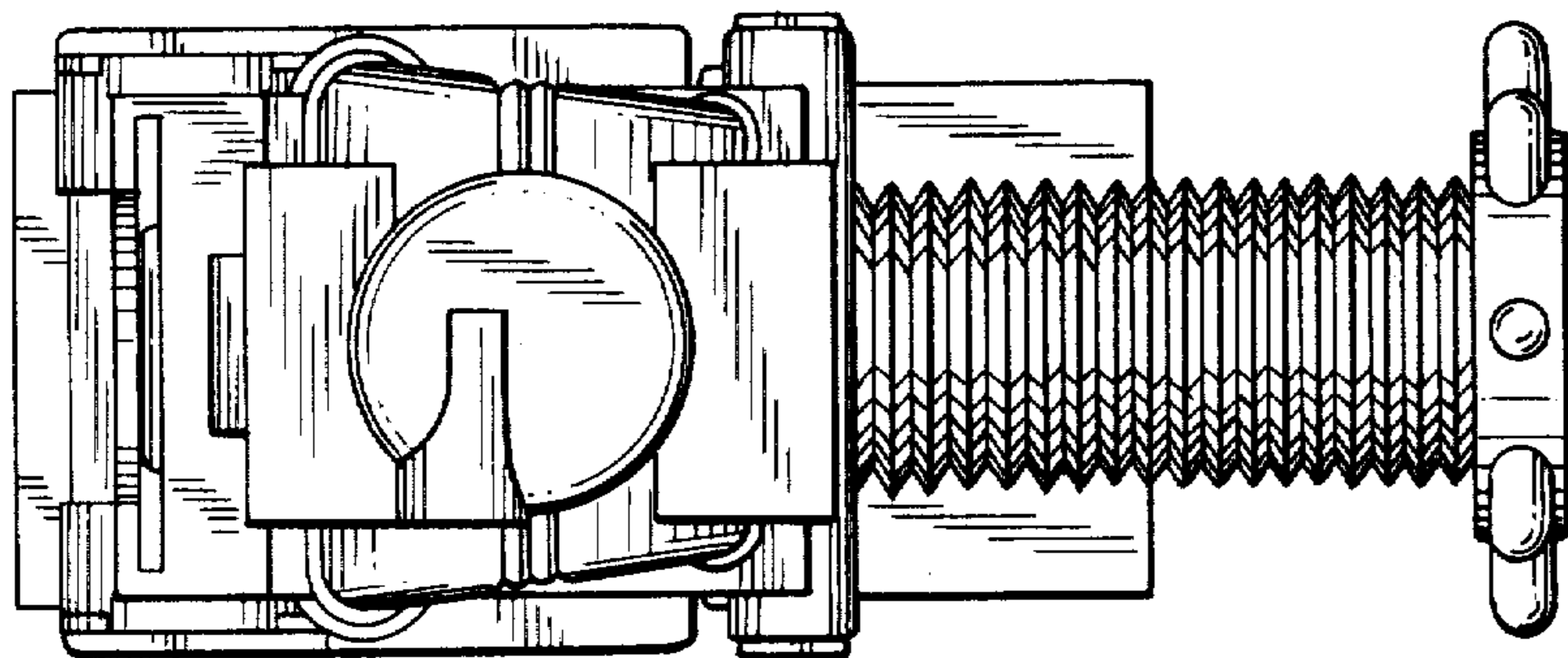


FIG. 2

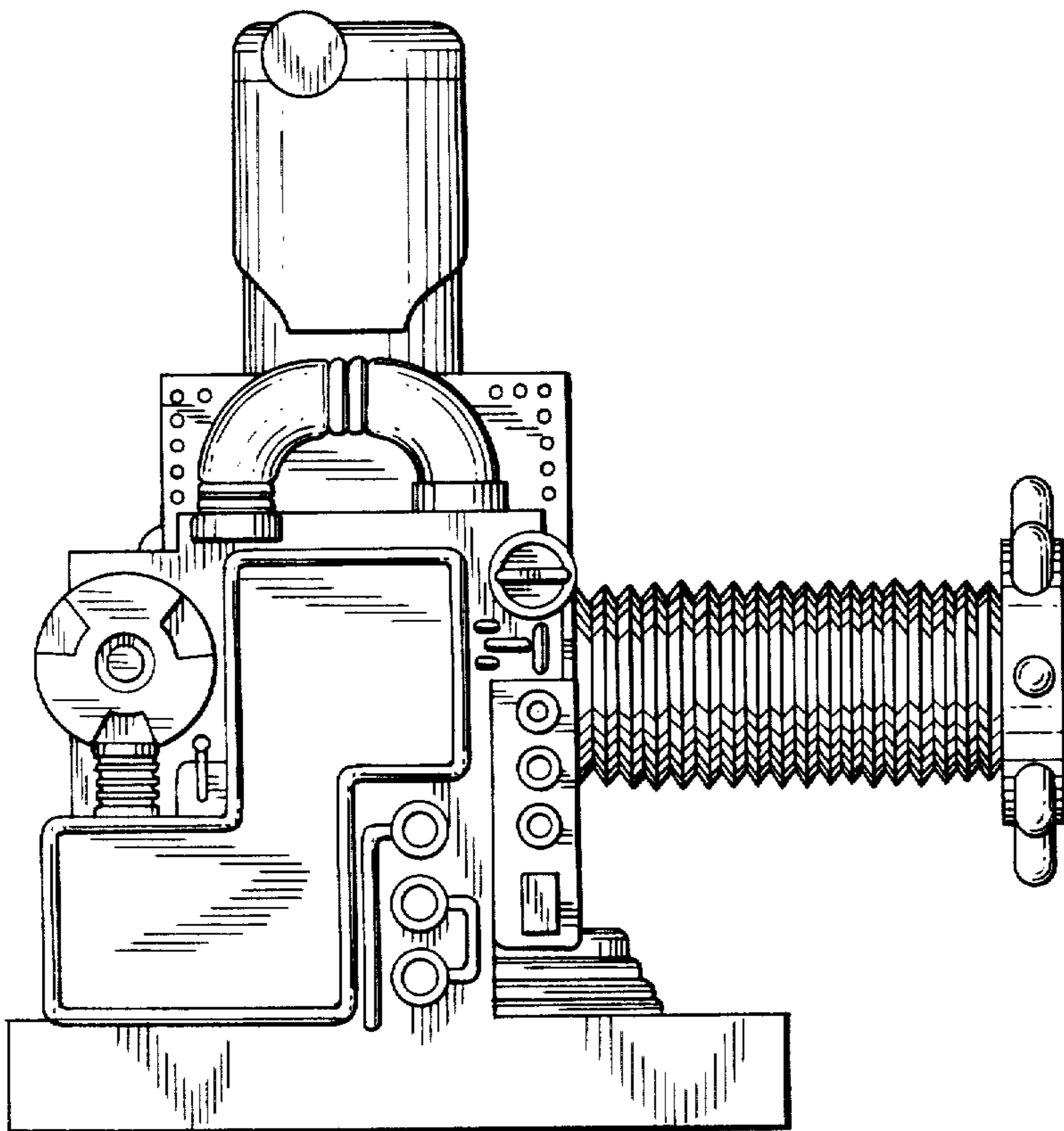


FIG. 3

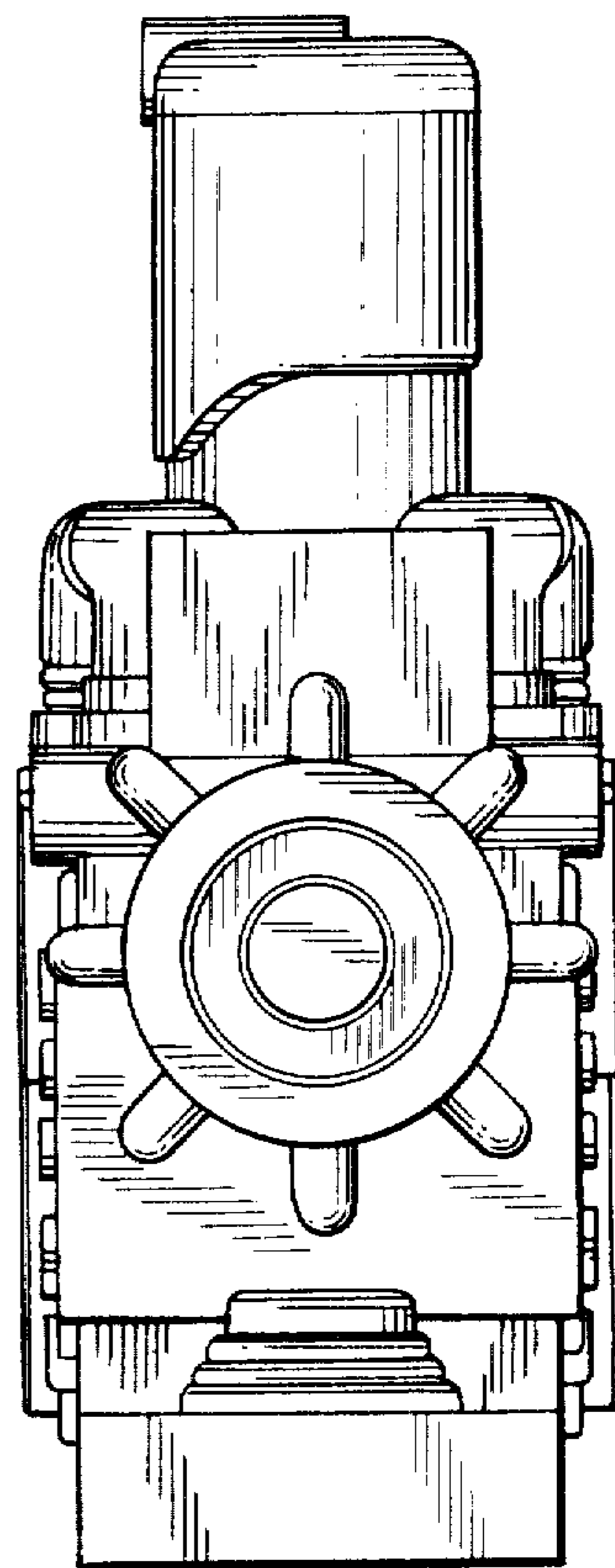


FIG. 4

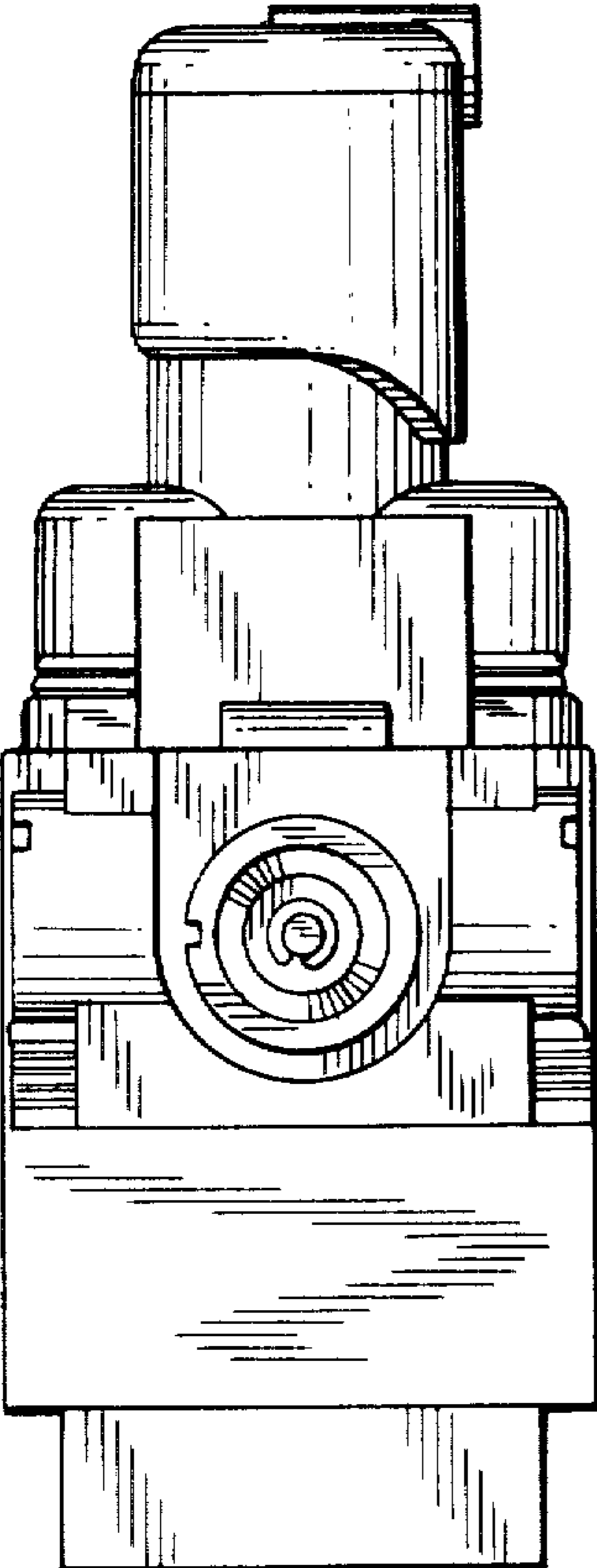


FIG. 5

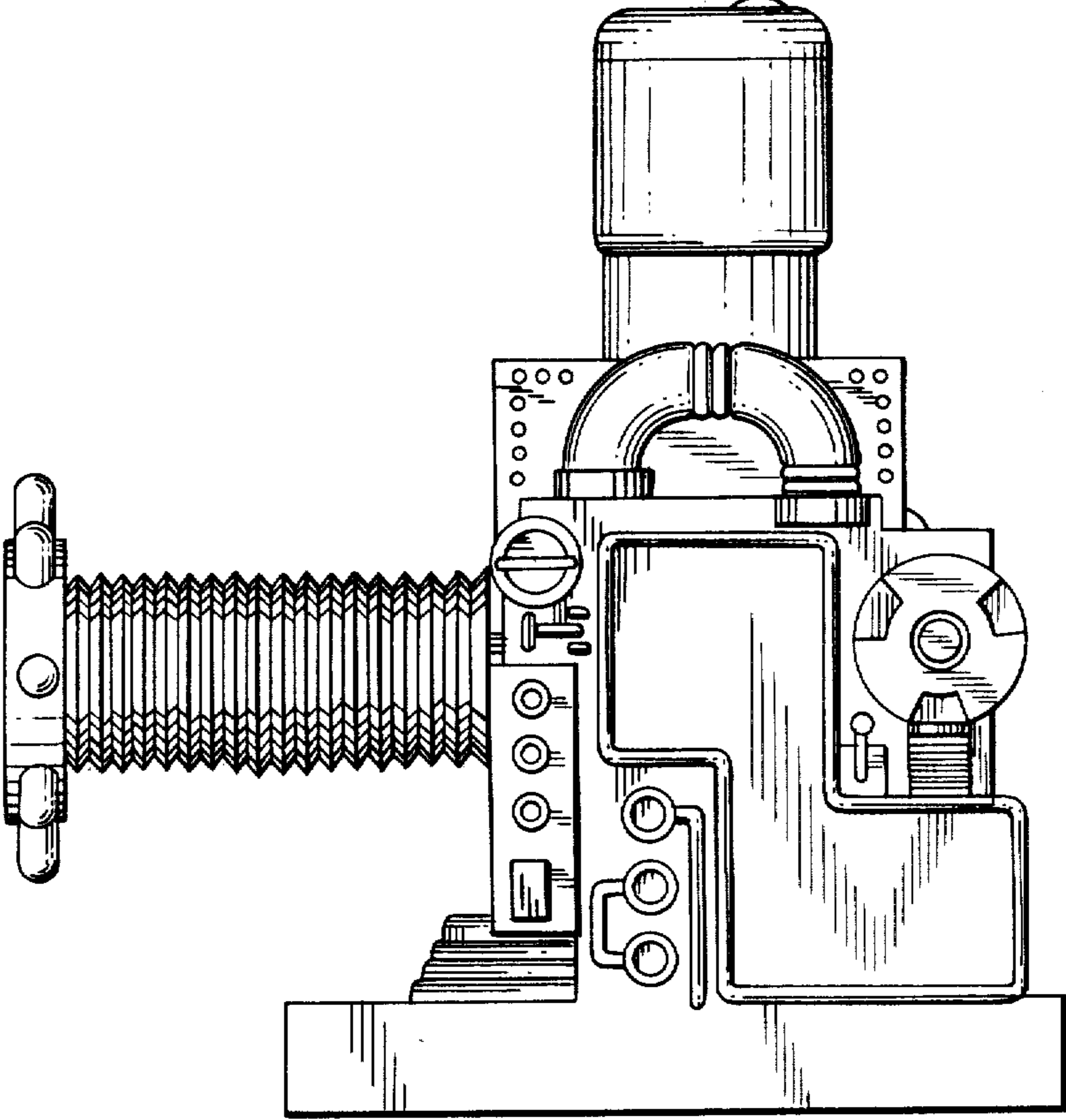


FIG. 6

