

[54] PORTABLE ELECTRIC SEWING MACHINE

[75] Inventor: Carlo Zappa, Milan, Italy

[73] Assignee: EL CU S.p.A., Milan, Italy

[**] Term: 14 Years

[21] Appl. No.: 149,835

[22] Filed: May 14, 1980

[30] Foreign Application Priority Data

Nov. 29, 1979 [IT] Italy 23296/79[U]

[51] Int. Cl. D15-06

[52] U.S. Cl. D15/69

[58] Field of Search D15/66, 69, 70, 72;
112/10, 11, 169

[56] References Cited

U.S. PATENT DOCUMENTS

- D. 216,841 3/1970 Kustusch D15/69
- D. 218,000 7/1970 Thaheld D15/66
- 2,637,288 5/1953 Cerioni 112/169 X
- 2,778,328 1/1957 Doyen et al. 112/169 X

3,797,424 3/1974 Cerioni 112/169

FOREIGN PATENT DOCUMENTS

1122707 9/1956 France 112/11

OTHER PUBLICATIONS

Design, Dec. 1977, p. 30, Hand-Held Sewing Machine, bottom left of page.

Primary Examiner—Joel Stearman

Assistant Examiner—Carmen H. Vales

Attorney, Agent, or Firm—Wenderoth, Lind & Ponack

[57] CLAIM

The ornamental design for a portable electric sewing machine, as shown and described.

DESCRIPTION

FIG. 1 is a front elevational view of the portable electric sewing machine showing my new design.

FIG. 2 is a top plan view thereof.

FIG. 3 is a bottom plan view thereof.

FIG. 4 is a right side elevational view thereof.

FIG. 5 is a left side elevational view thereof.

FIG. 6 is a rear elevational view thereof.

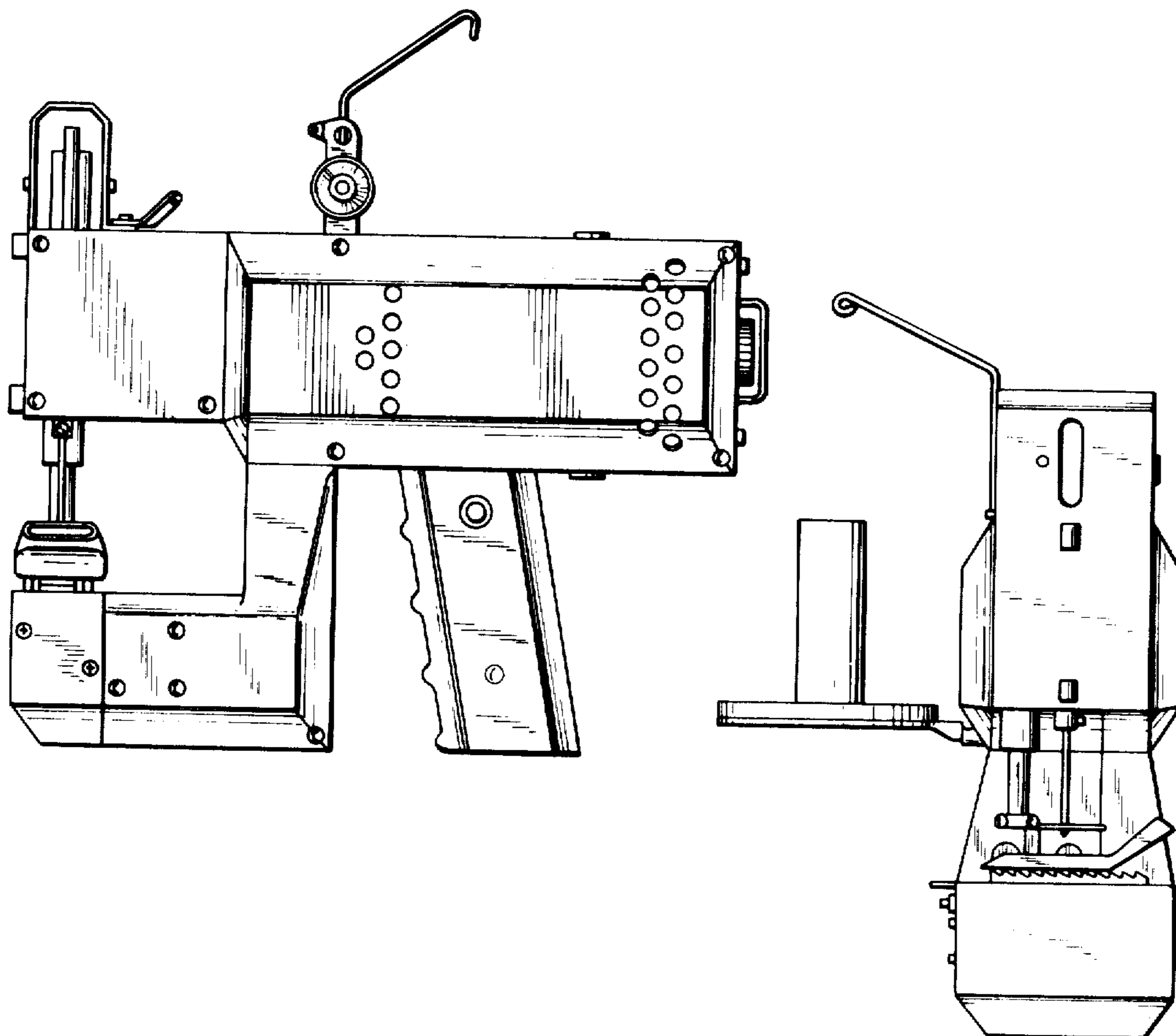


FIG. 1

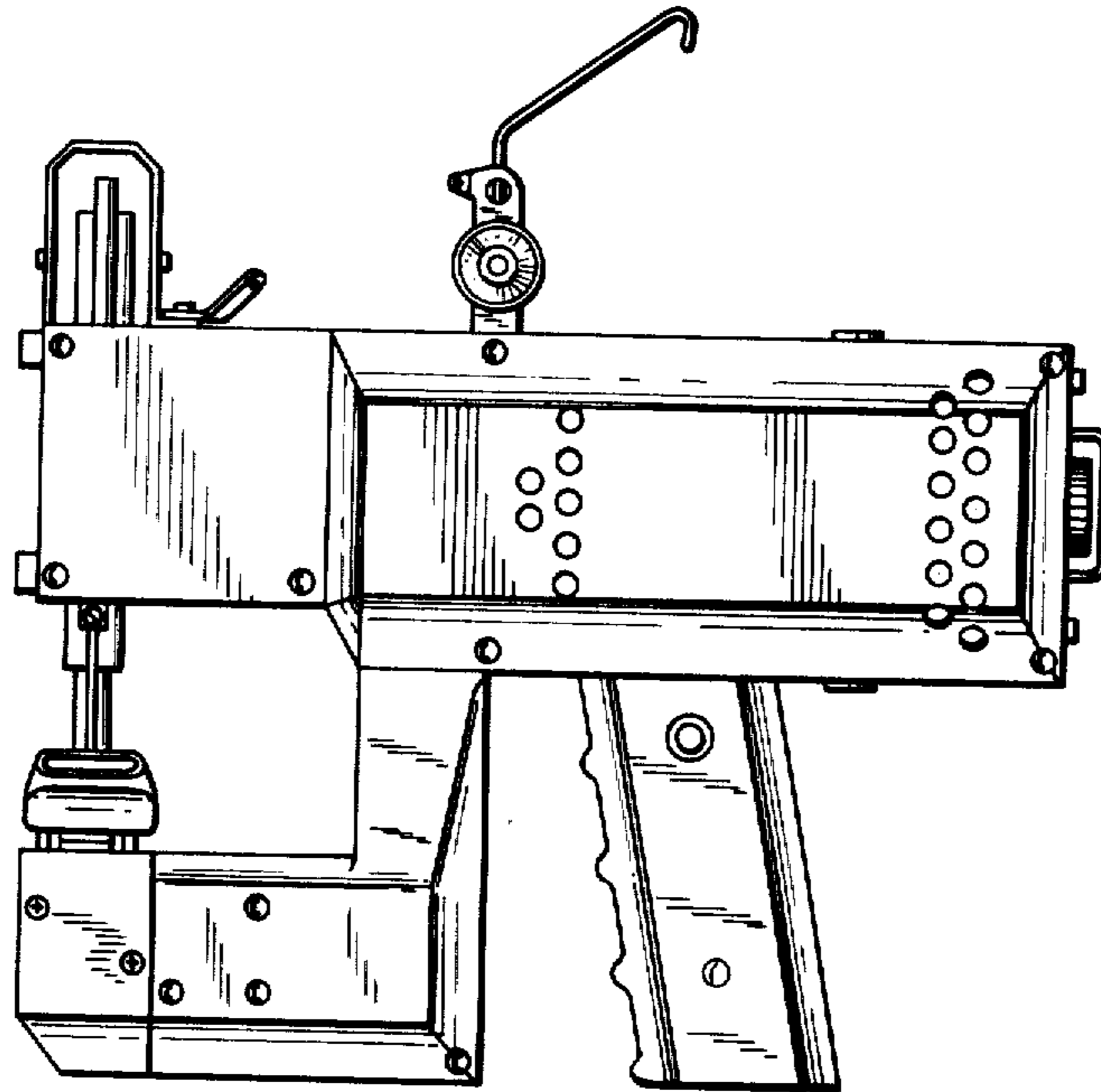


FIG. 2

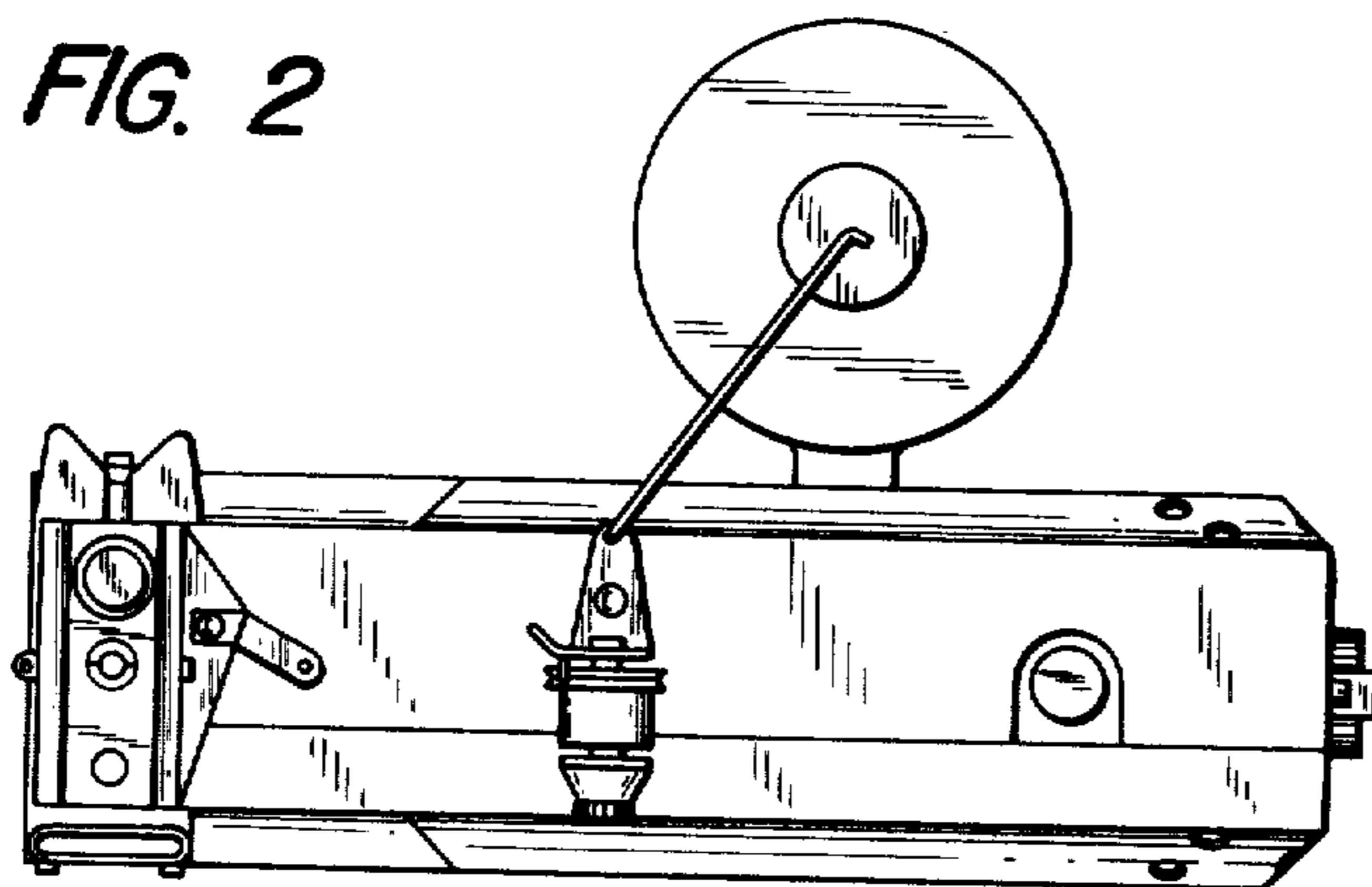


FIG. 3

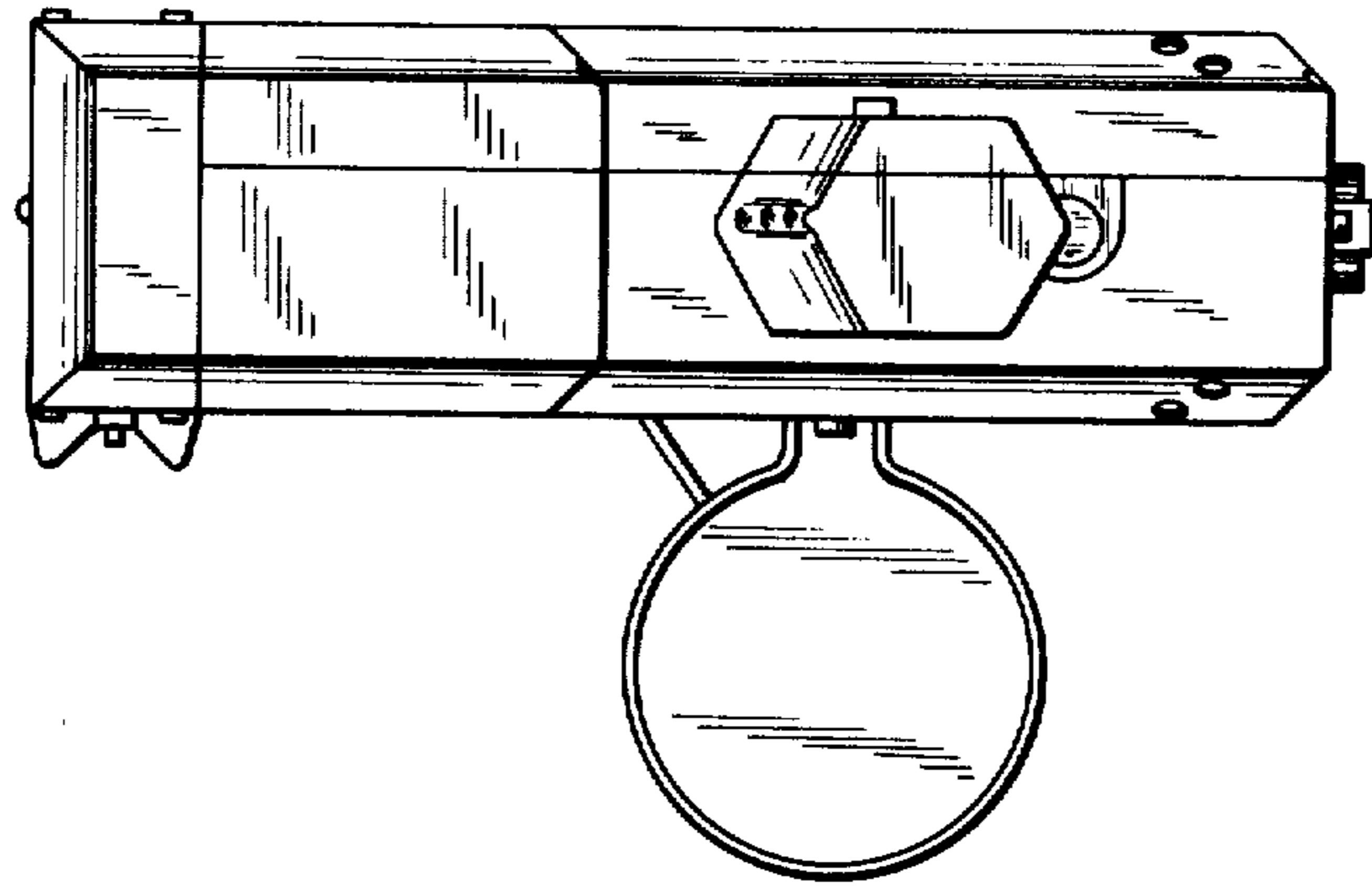


FIG. 4

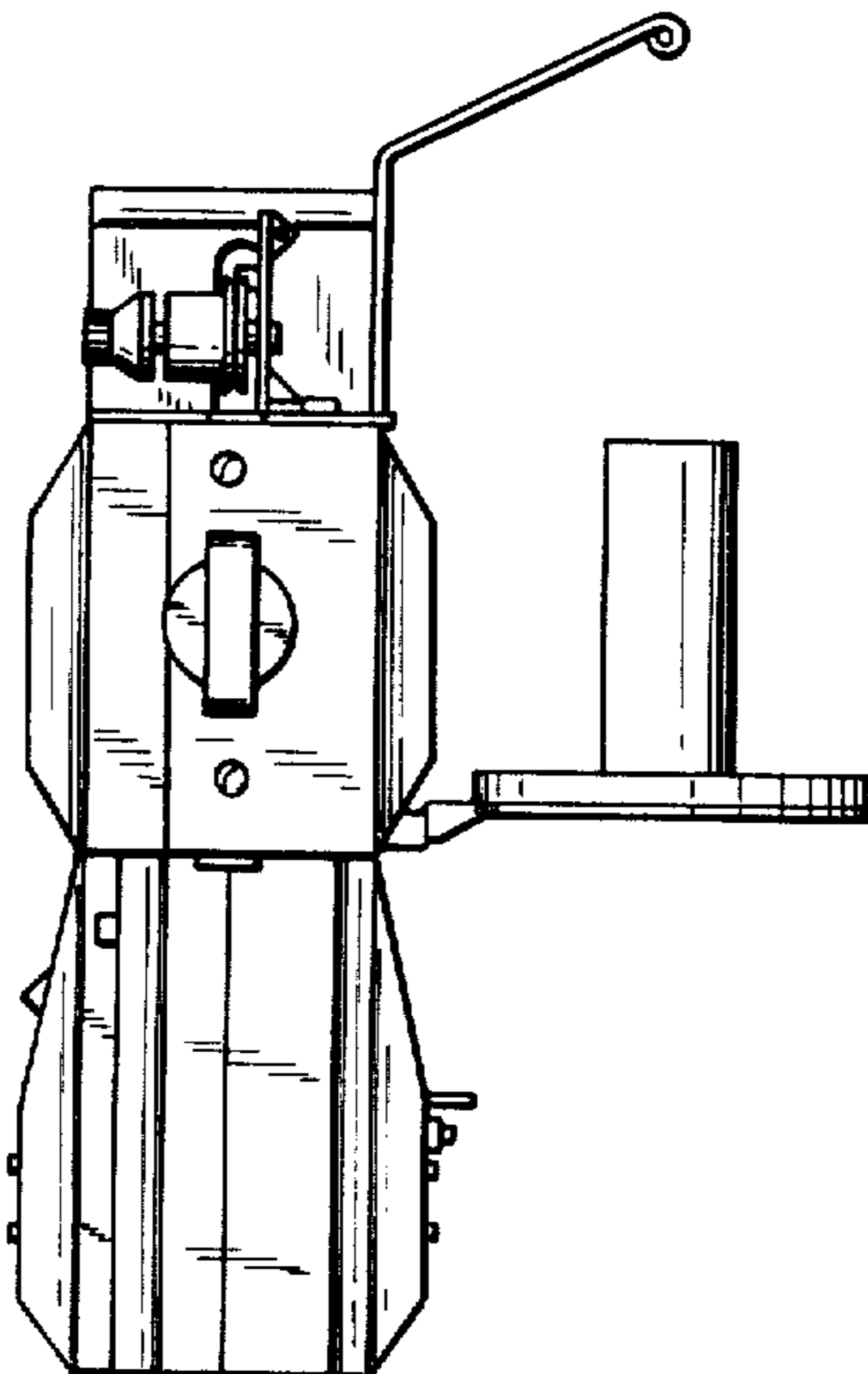


FIG. 5

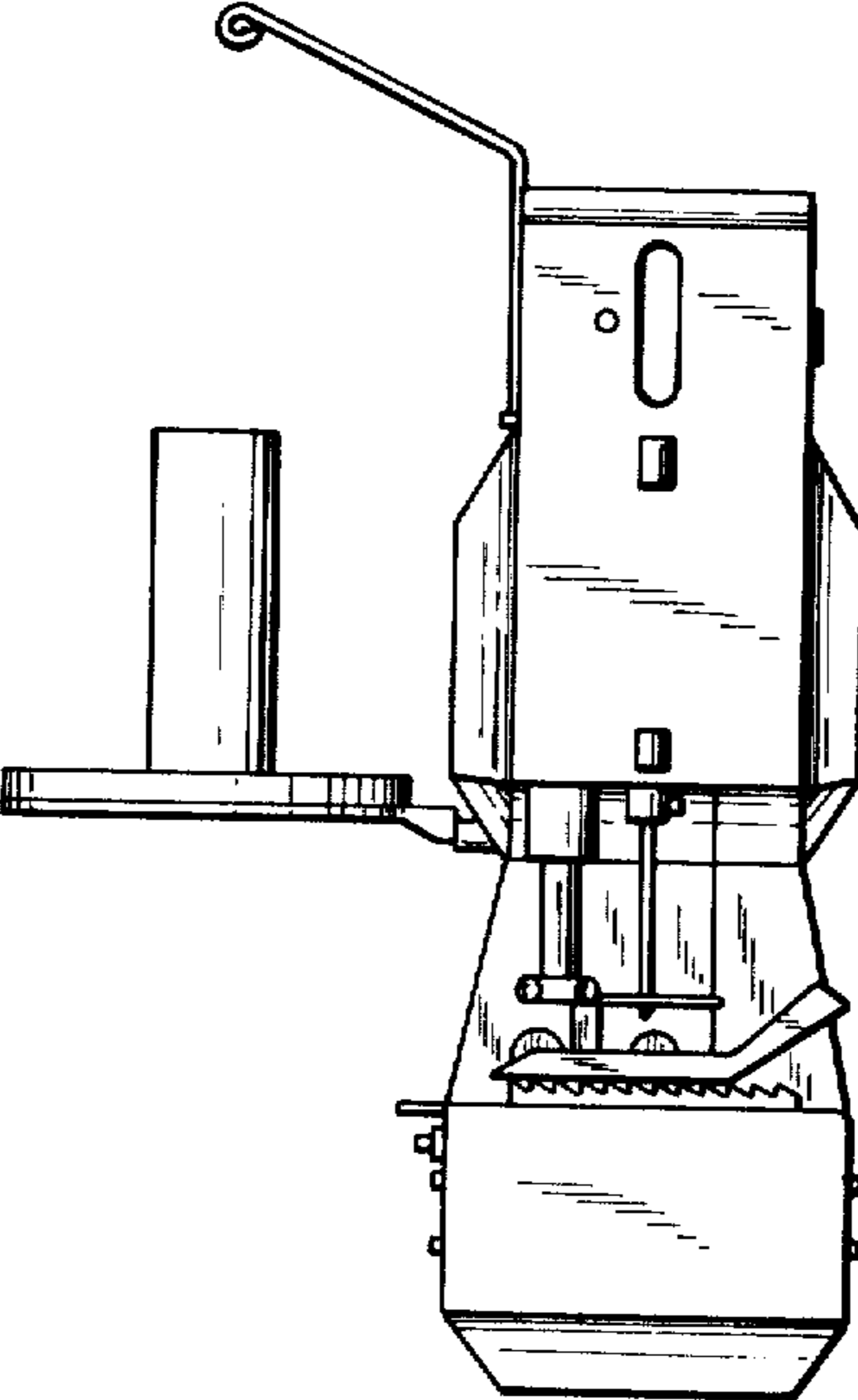


FIG. 6

