

[54] **RECORD PLAYER**

- [75] Inventor: **Kenji Ekuan**, Tokyo, Japan
[73] Assignee: **Nippon Gakki Seizo Kabushiki Kaisha**, Japan
[**] Term: **14 Years**
[21] Appl. No.: **118,209**
[22] Filed: **Feb. 4, 1980**

Related U.S. Application Data

- [63] Continuation of Ser. No. 71,187, Aug. 31, 1979.

[30] **Foreign Application Priority Data**

Mar. 1, 1979 [JP] Japan 54-7889

- [51] Int. Cl. **D14-01**
[52] U.S. Cl. **D14/14; D14/17**
[58] Field of Search **D14/1, 14, 17, 25**

[56] **References Cited**

U.S. PATENT DOCUMENTS

D. 215,496 9/1969 Levow D14/17 X

FOREIGN PATENT DOCUMENTS

519003 8/1979 Japan .

OTHER PUBLICATIONS

Domus, 11-74, p. 39, Item #3.
Harmon Kardon Rabco ST-7 Booklet #244-633-S-T-7-0064-IV, p. 5.
High Fidelity, 6-78, p. 87, Accutrac Turntables.

Primary Examiner—Jane E. Corrigan
Attorney, Agent, or Firm—Lerner, David, Littenberg & Samuel

[57] **CLAIM**

The ornamental design for a record player, as shown and described.

DESCRIPTION

FIG. 1 is a top plan view of a record player showing my new design;
FIG. 2 is a front elevational view;
FIG. 3 is a right side elevational view;
FIG. 4 is a front, top and right side perspective view;
FIG. 5 is a view like FIG. 4 with the tonearm in an operating position; and
FIG. 6 is a view like FIG. 4 with the cover in raised condition.

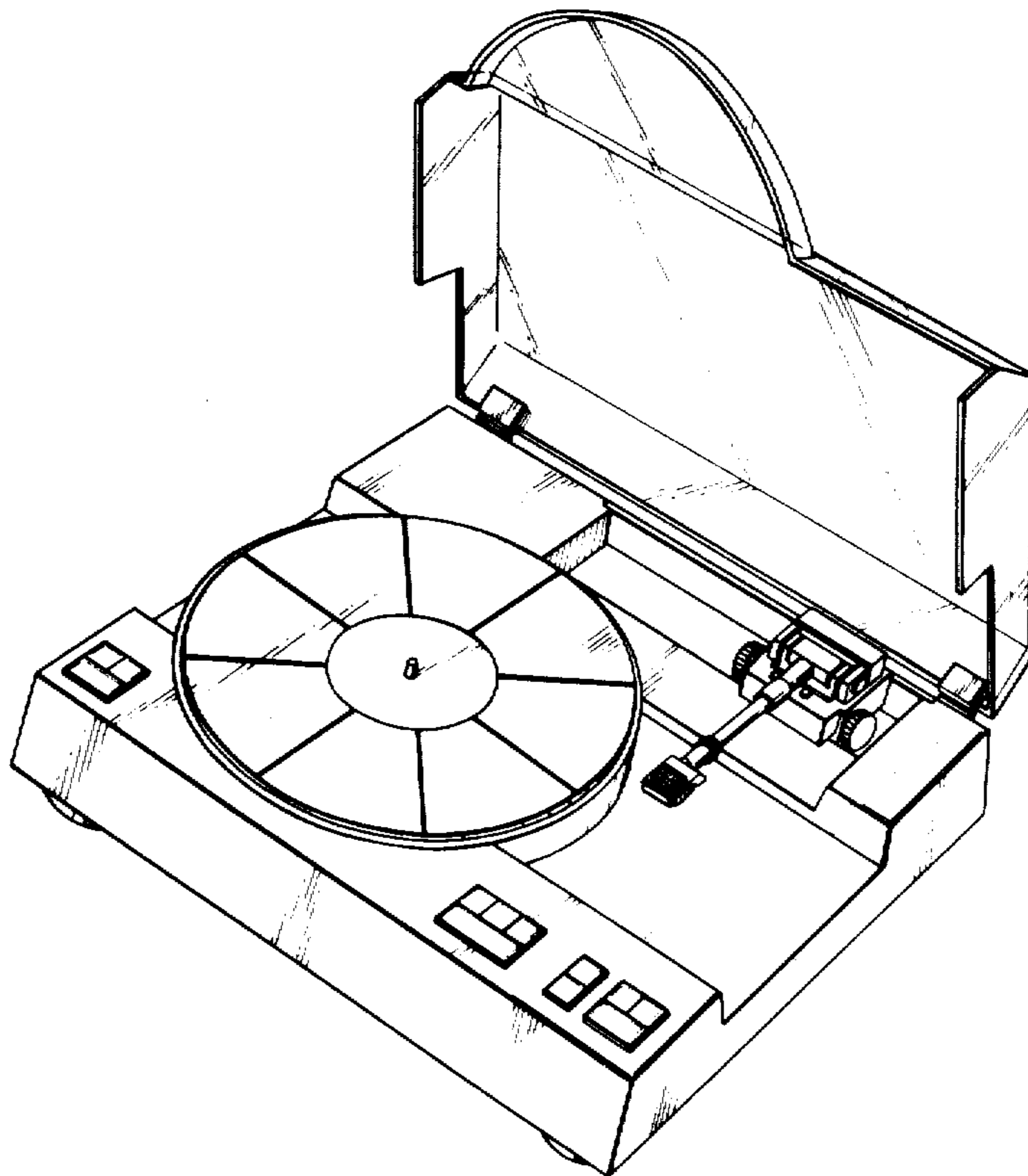


FIG. 1

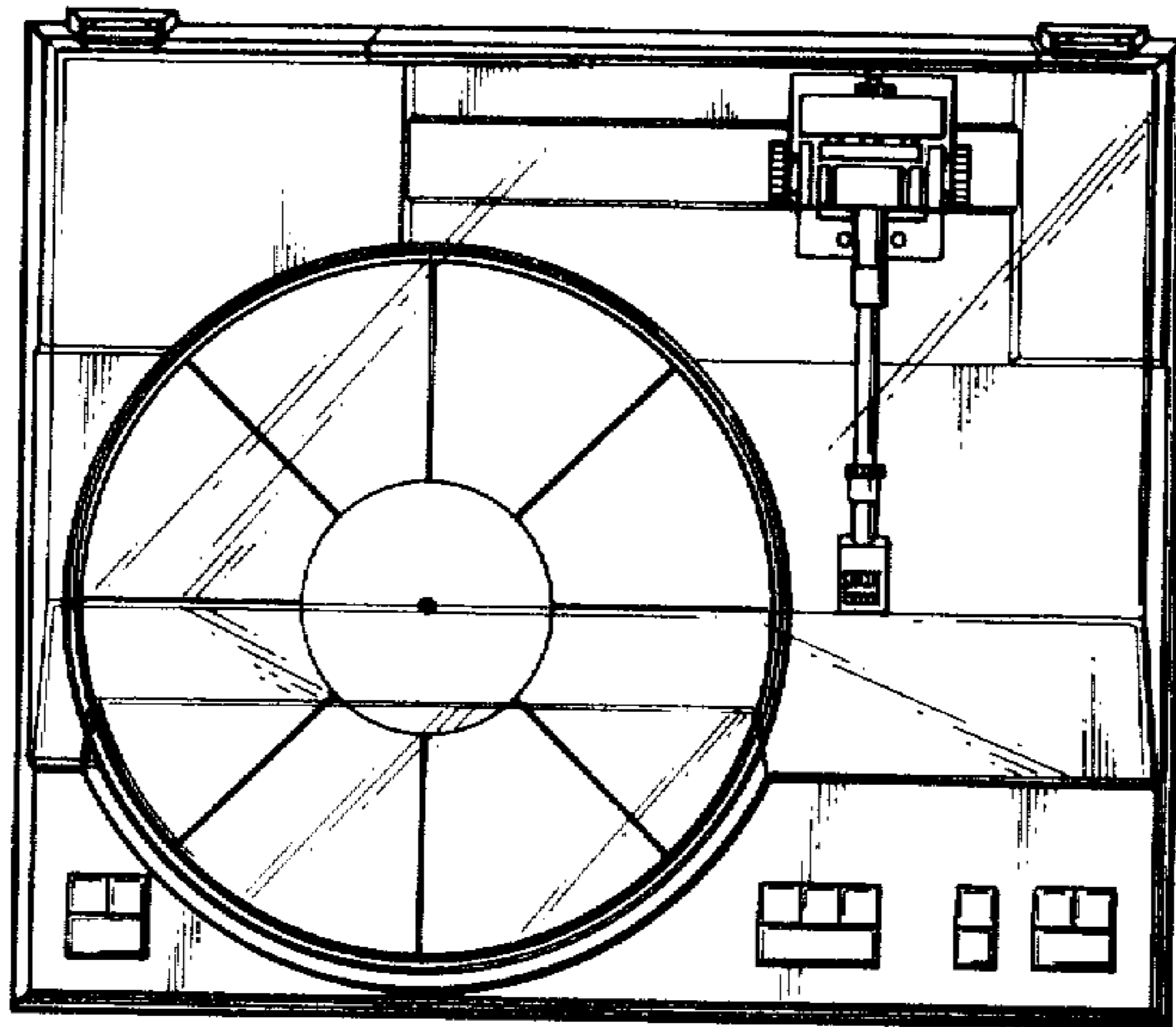


FIG. 2

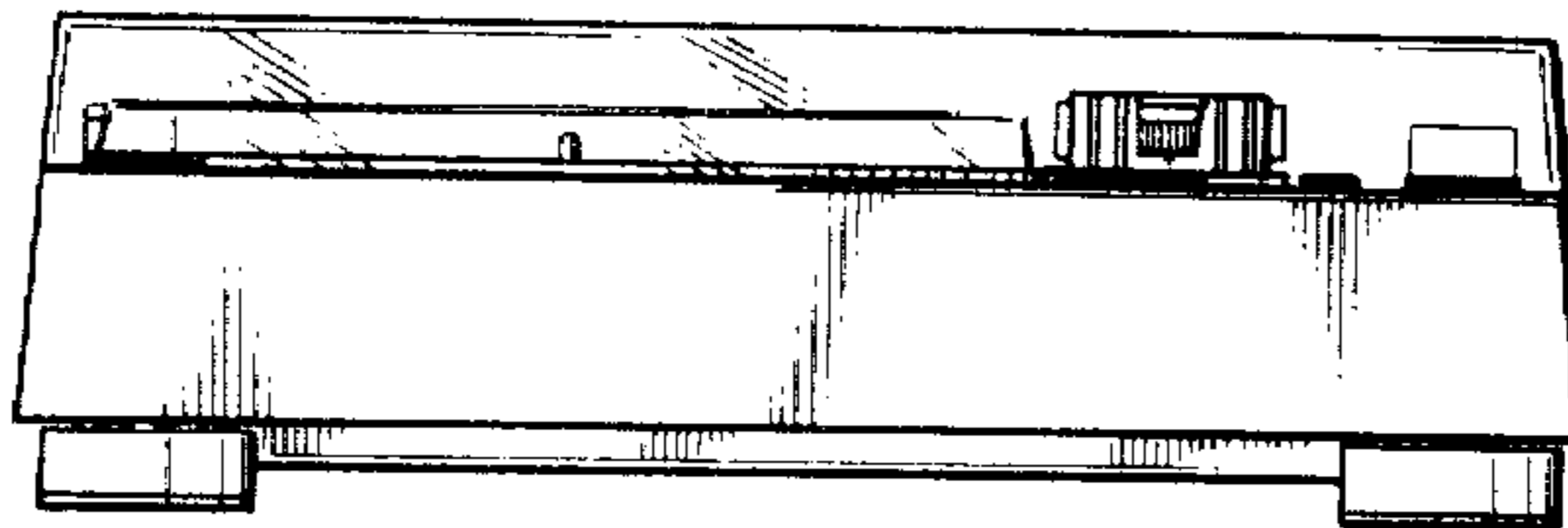


FIG. 3

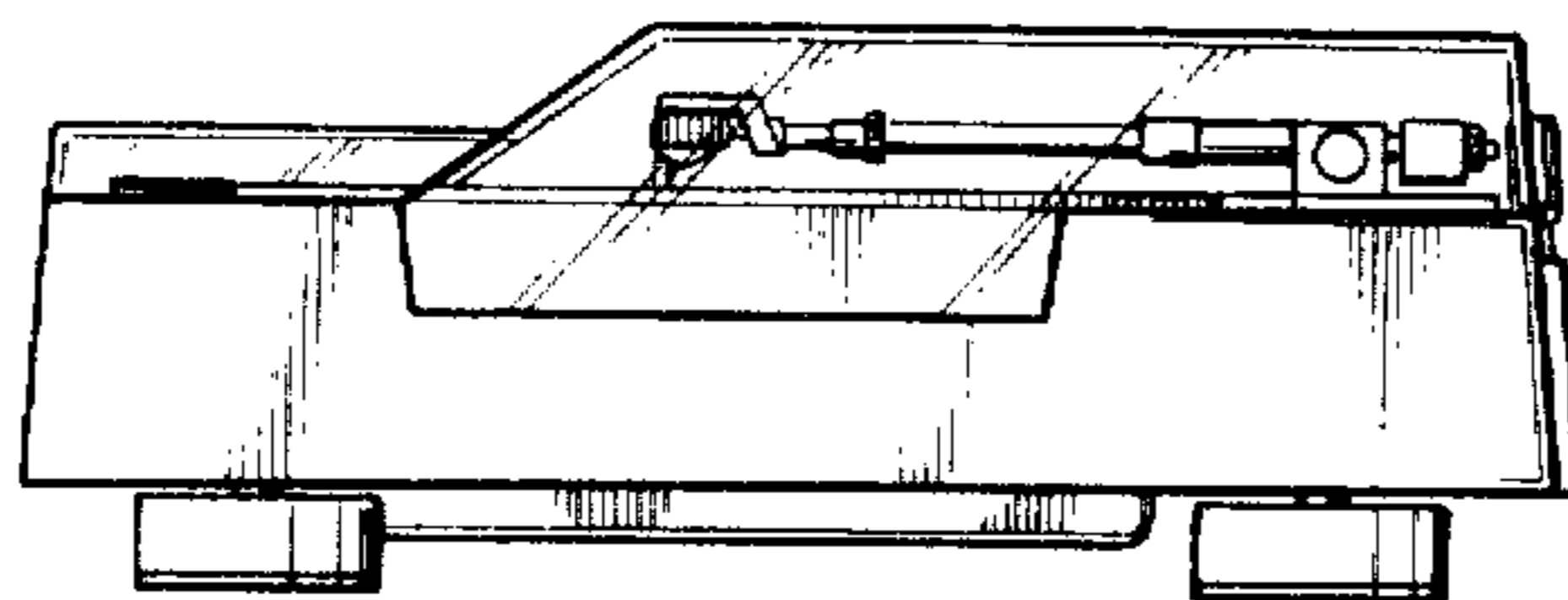


FIG. 4

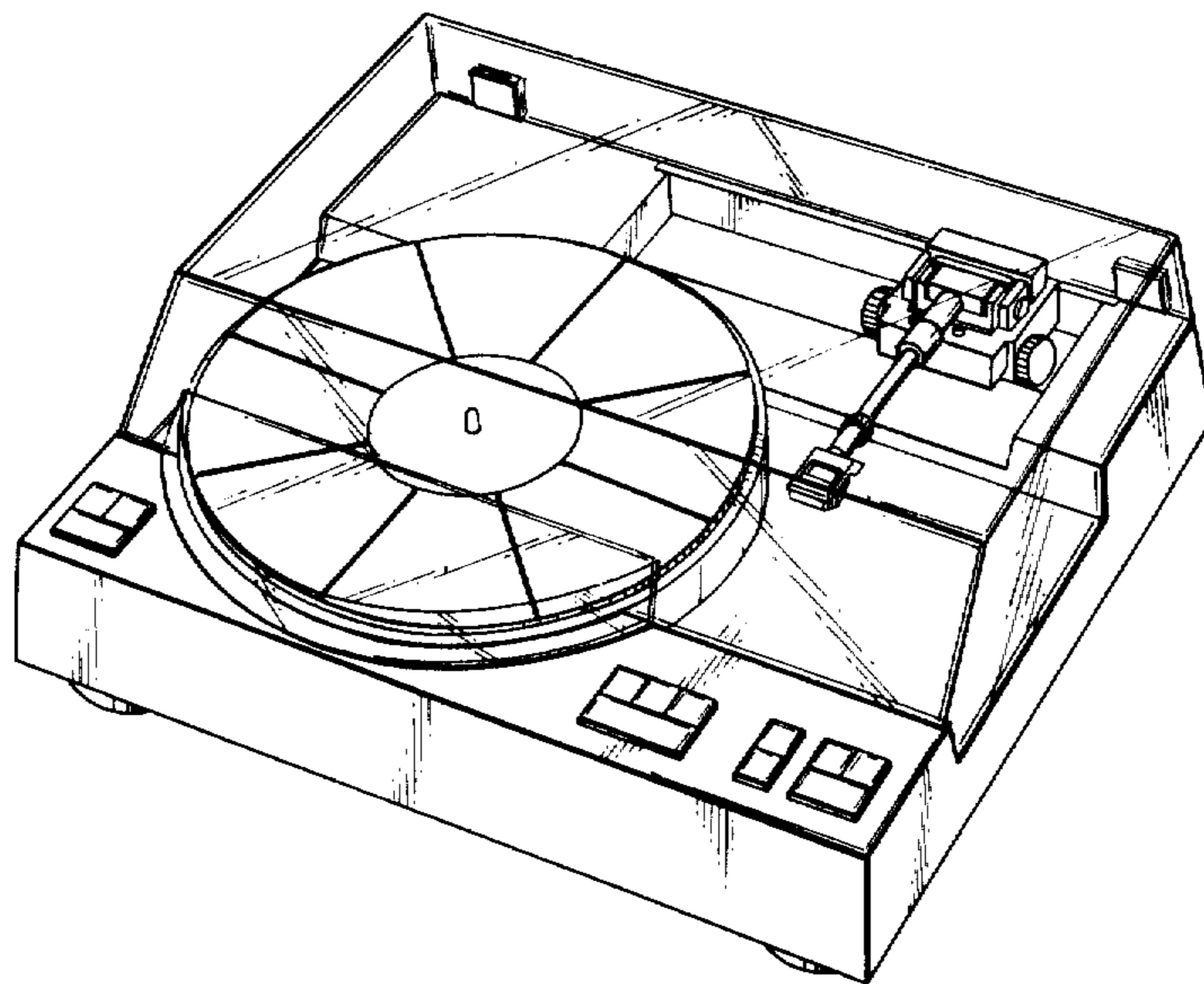


FIG. 5

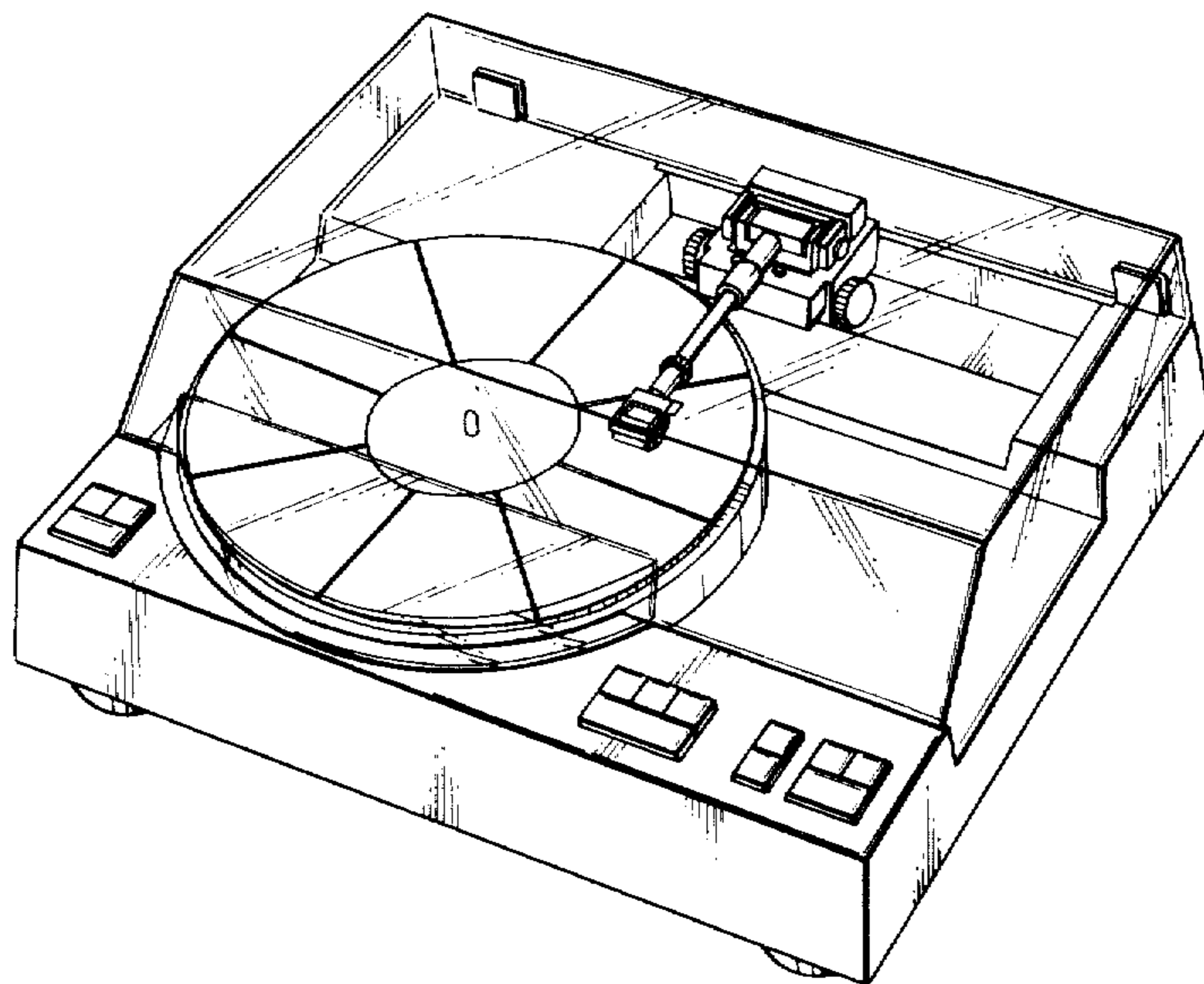


FIG. 6

