

[54] **BATTERY CHARGER**
[75] Inventor: **Jeffrey A. Boyd, Gainesville, Fla.**
[73] Assignee: **General Electric Company, Gainesville, Fla.**
[**] Term: **14 Years**
[21] Appl. No.: **134,409**
[22] Filed: **Mar. 27, 1980**
[51] Int. Cl. **D13—02**
[52] U.S. Cl. **D13/5**
[58] Field of Search **320/2; D13/4, 5, 11, D13/28, 29, 30**

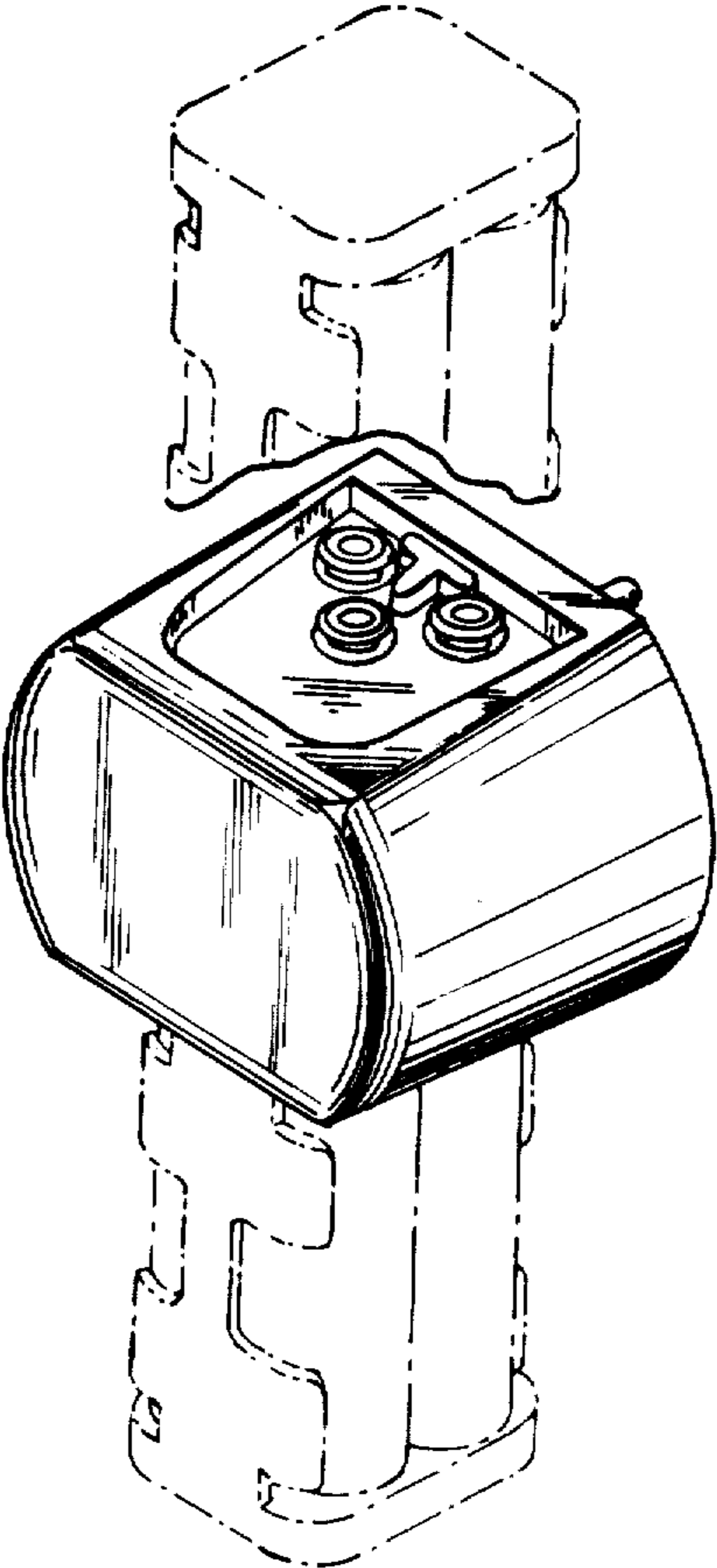
[56] **References Cited**
U.S. PATENT DOCUMENTS
D. 105,216 7/1937 Herman **D13/28**
D. 192,565 4/1962 Gilman **D13/5**
D. 212,007 8/1968 Mas **D13/11**
4,009,429 2/1977 Mullersman **320/2**

Primary Examiner—Susan J. Lucas

Attorney, Agent, or Firm—Morgan, Finnegan, Pine, Foley & Lee

[57] **CLAIM**
The ornamental design for a battery charger, as shown and described.

DESCRIPTION
FIG. 1 is a perspective view of the battery charger showing my new design, with typical attachable cell-holding modules being shown in broken lines for illustrative purposes only;
FIG. 2 is an elevation view of the right side of the design;
FIG. 3 is a front elevation view of the design, with the sides of the battery charger oriented at the top and bottom of this view;
FIG. 4 is both a top plan view thereof, the bottom plan view being a mirror image;
FIG. 5 is an elevation view of the rear of the design, with the left side of the battery charger being at the bottom of this figure;
FIG. 6 is an elevation view of the left side of my new design.



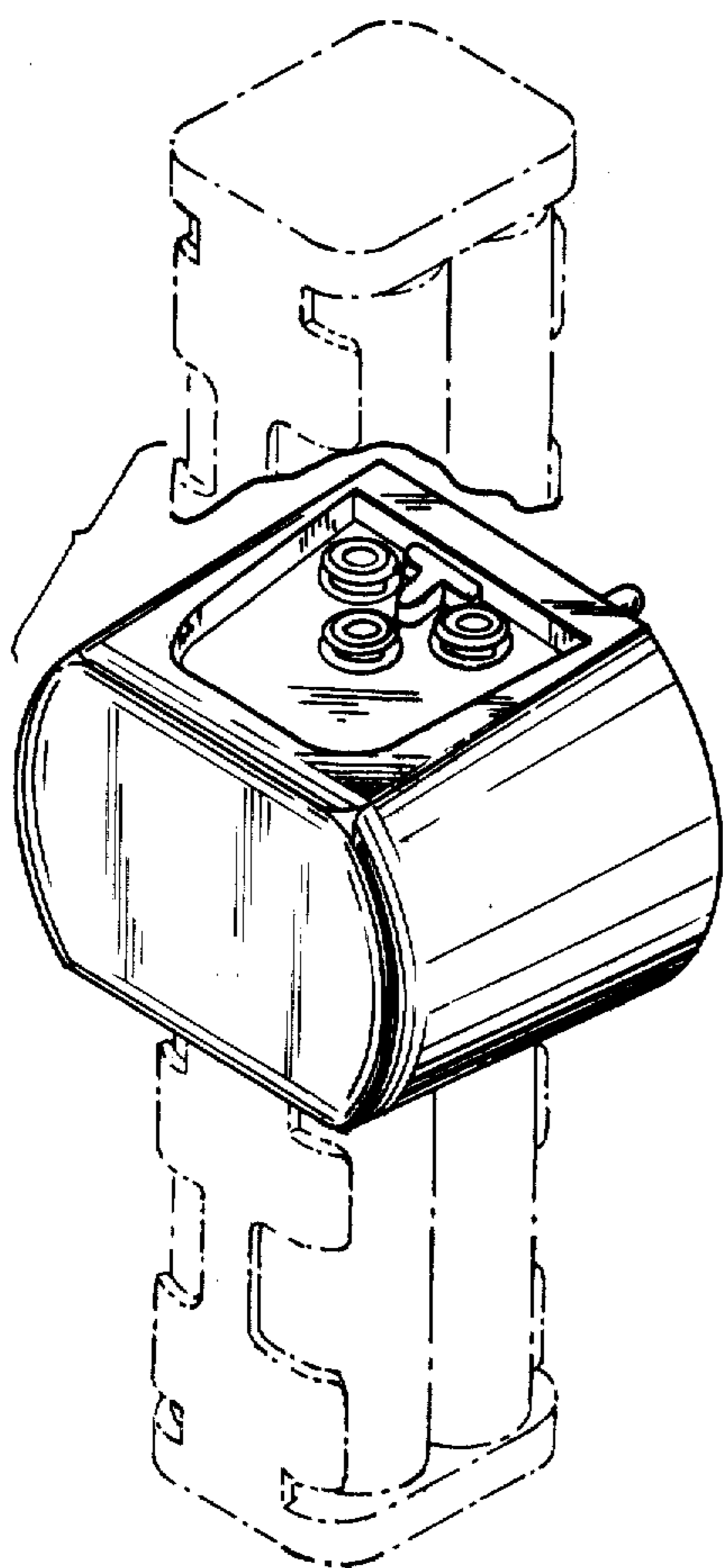


FIG.1

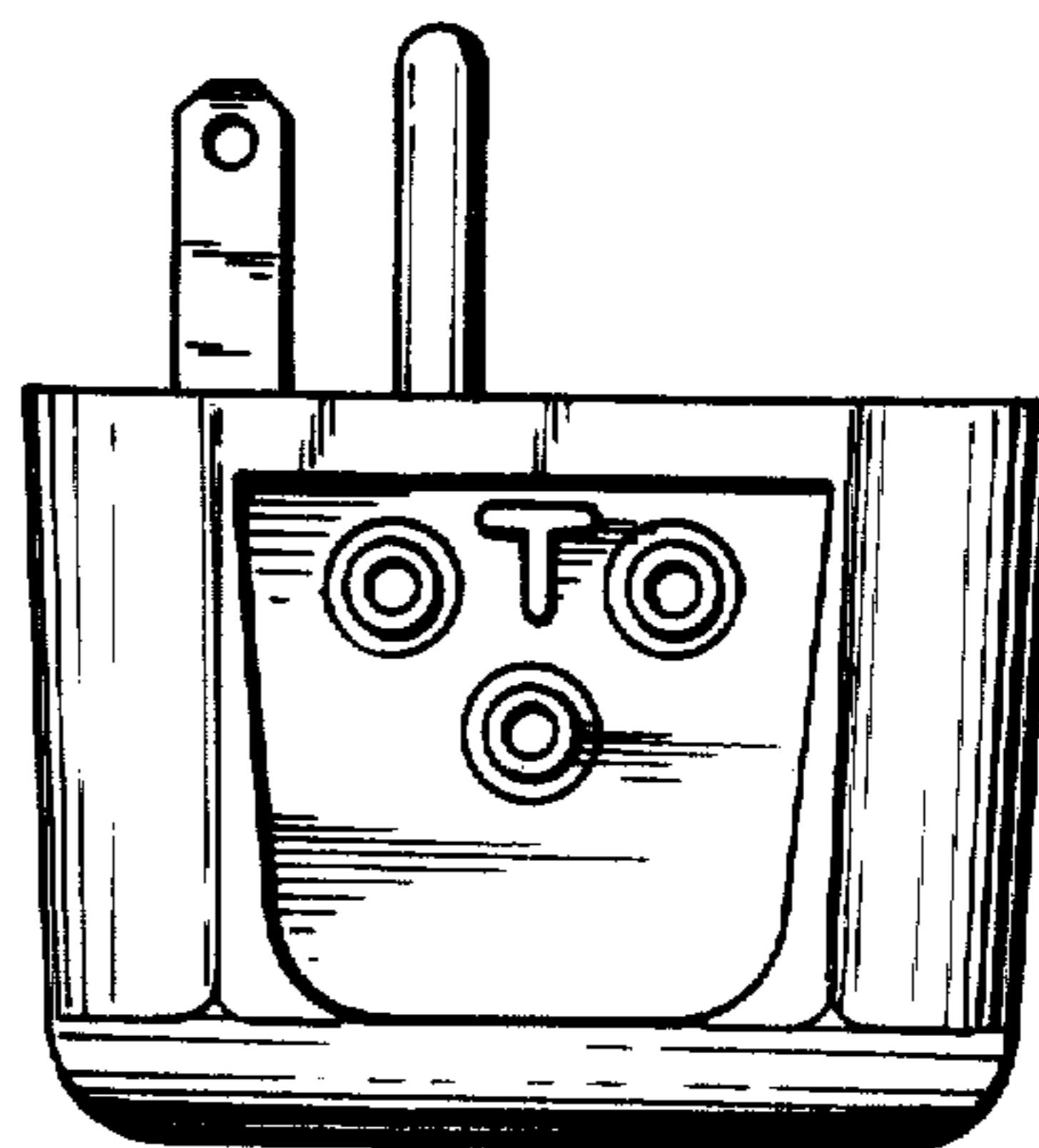


FIG.2

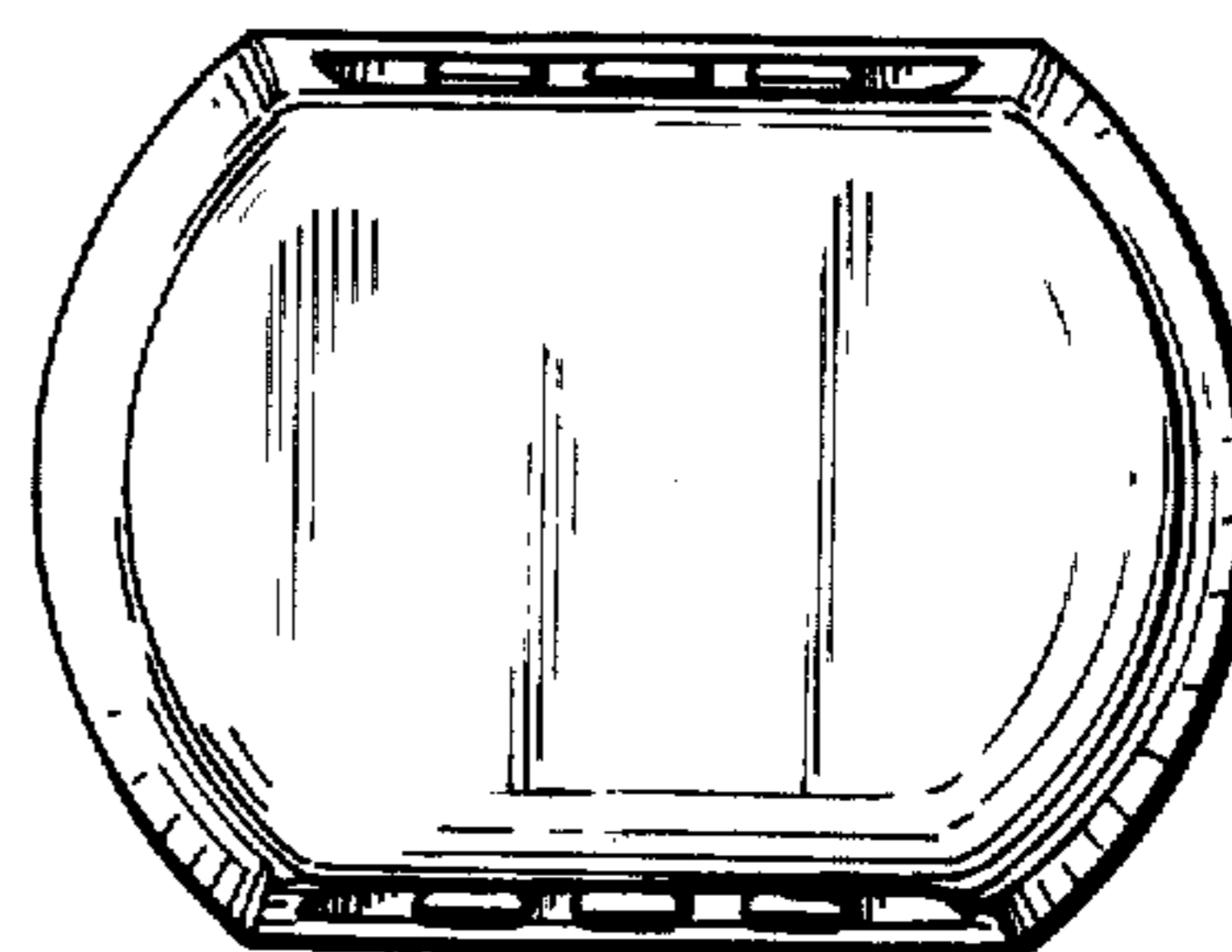


FIG.3

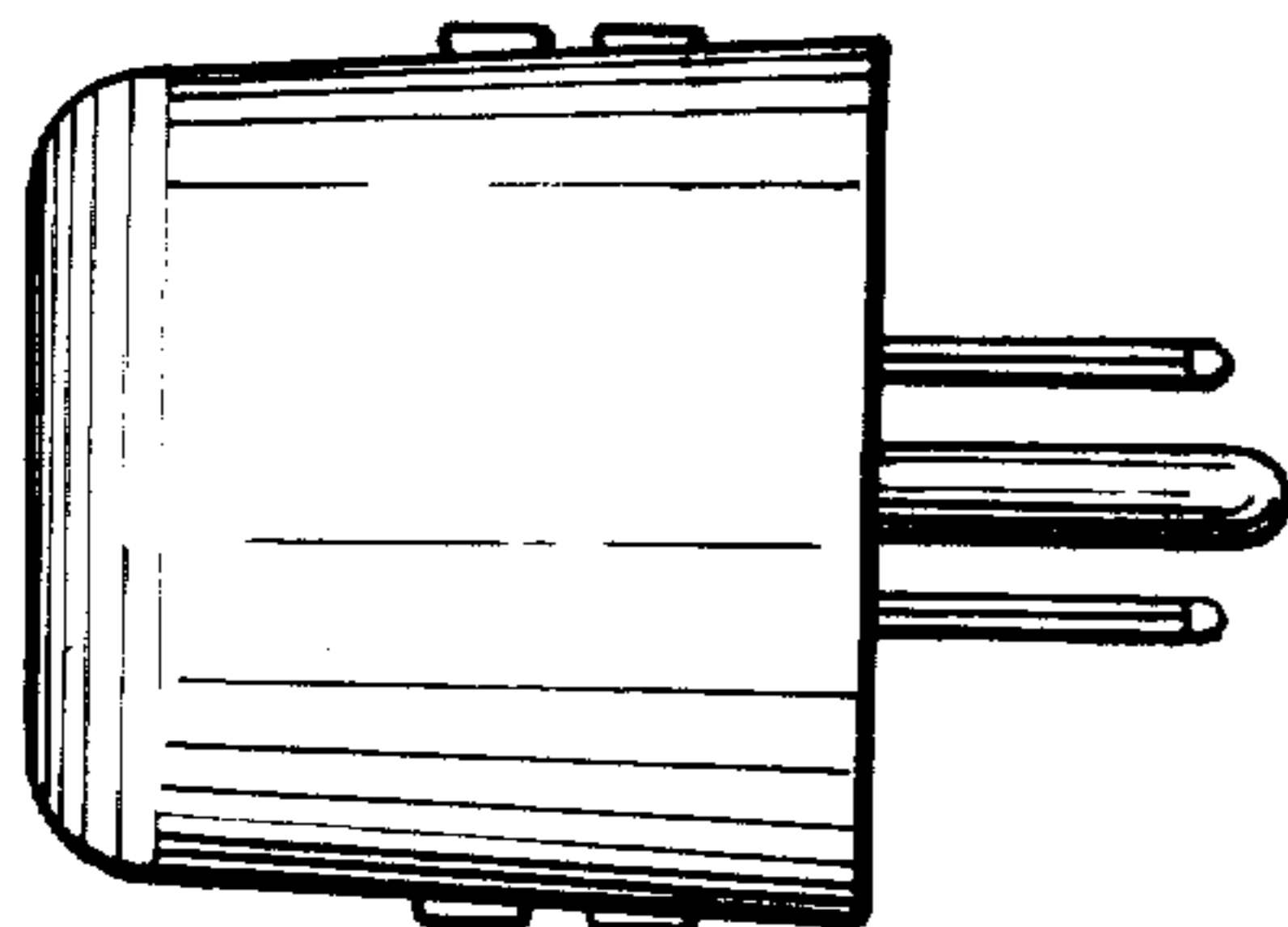


FIG.4

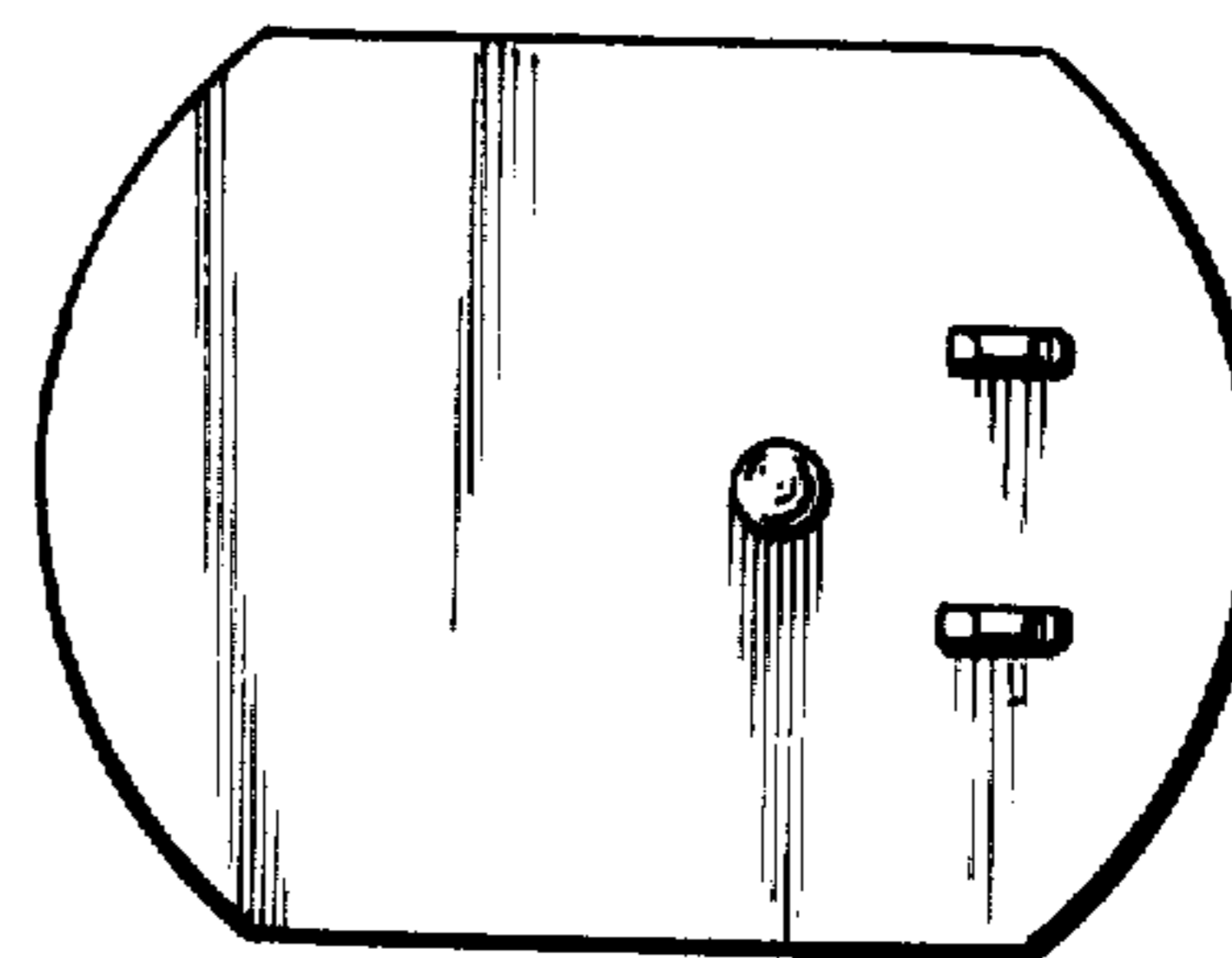


FIG.5

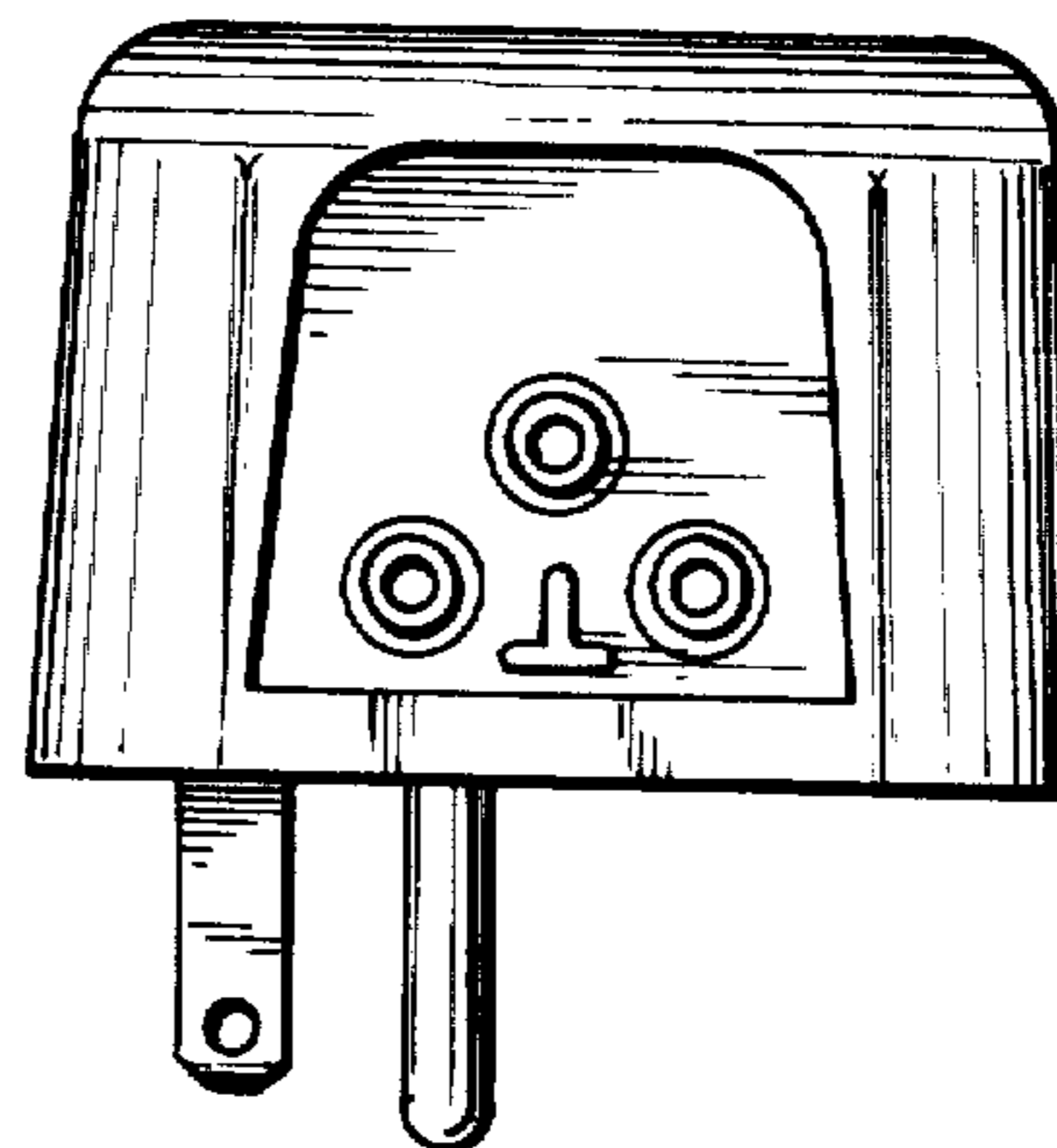


FIG.6