

[54] DYNAMOELECTRIC MACHINE END CAP

[56] References Cited

[75] Inventors: Henry G. Lenz; Earl K. Stewart, both of Schenectady, N.Y.

U.S. PATENT DOCUMENTS

D. 173,547	11/1954	Sundberg	.....	D13/1
2,534,150	12/1950	Smalley	.....	310/88 X
3,041,117	6/1962	Ramsey	.....	310/88 X
3,731,126	5/1973	Hagenlocher et al.	.....	310/88 X

[73] Assignee: General Electric Company, Schenectady, N.Y.

Primary Examiner—Susan J. Lucas  
Attorney, Agent, or Firm—Vale P. Myles

[\*\*] Term: 14 Years

[57] CLAIM

[21] Appl. No.: 150,858

The ornamental design for a dynamoelectric machine end cap, as shown.

[22] Filed: May 19, 1980

DESCRIPTION

[51] Int. Cl. .... D13-01

FIG. 1 is a front elevational view of a dynamoelectric machine end cap showing our new design;

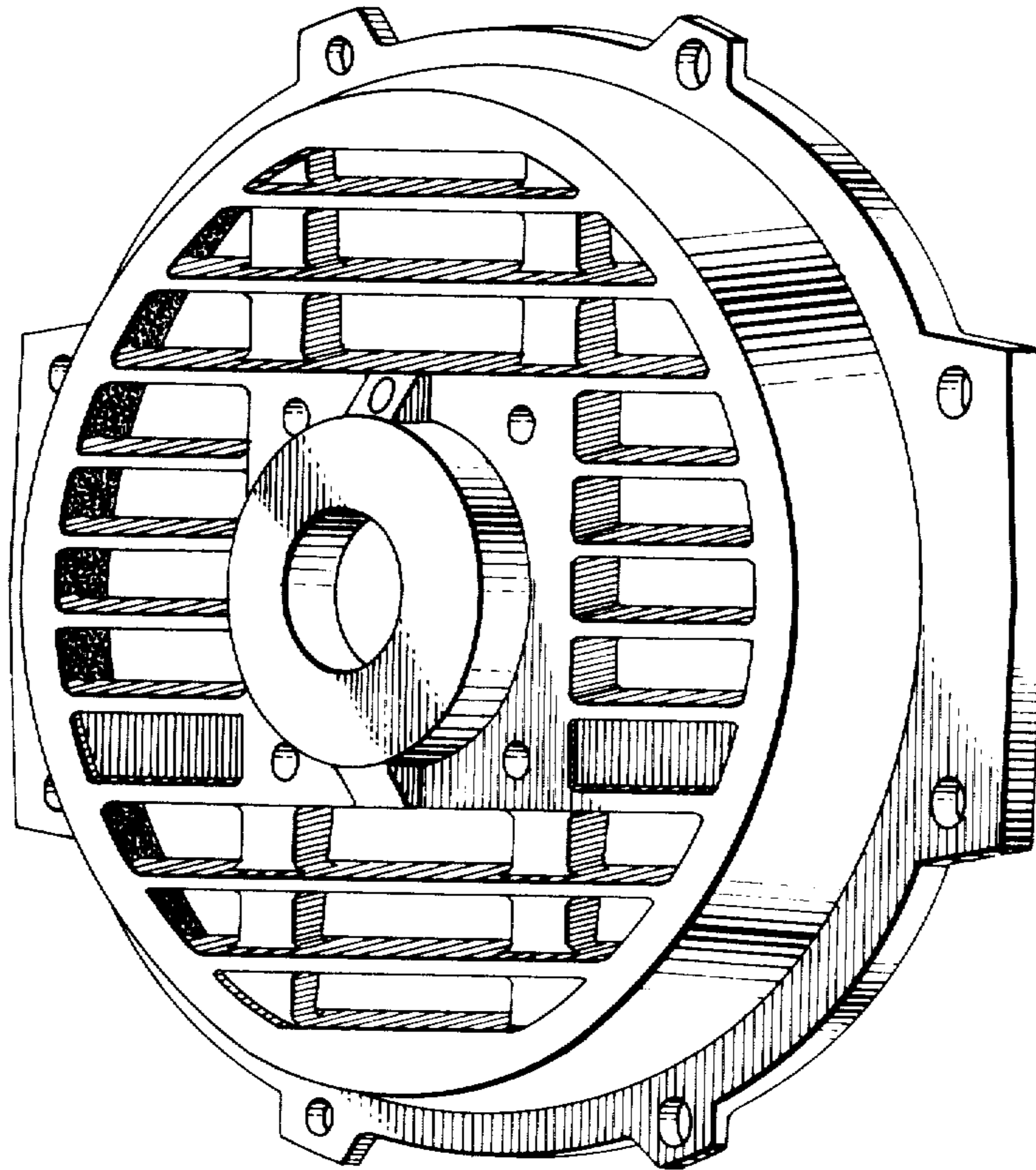
[52] U.S. Cl. .... D13/3

FIG. 2 is a rear elevational view thereof;

[58] Field of Search ..... D13/1, 2, 3; 310/88, 310/89, 91

FIG. 3 is a top plan view thereof;

FIG. 4 is a perspective view thereof taken from the front and side.



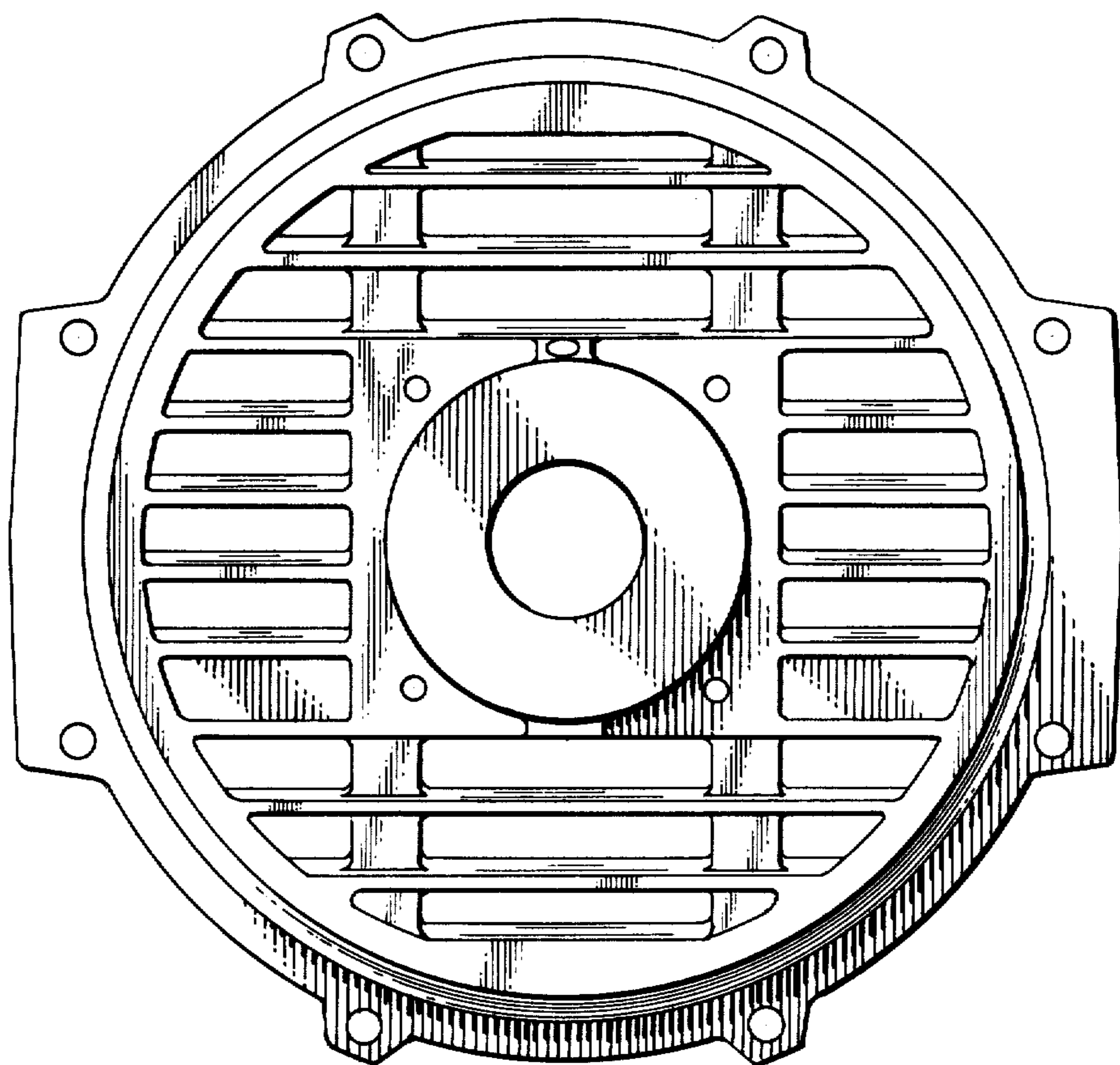


FIG.1

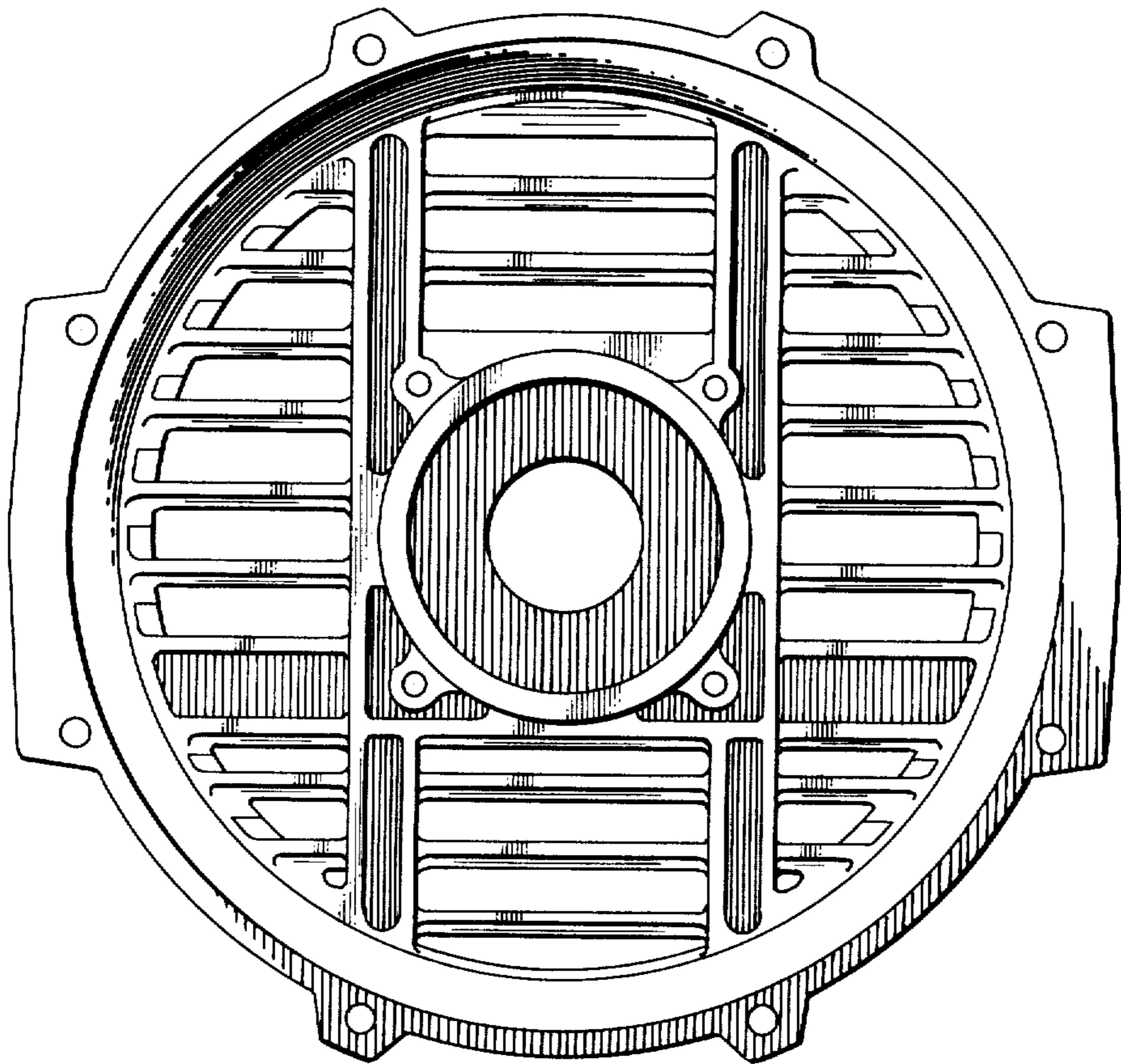


FIG. 2

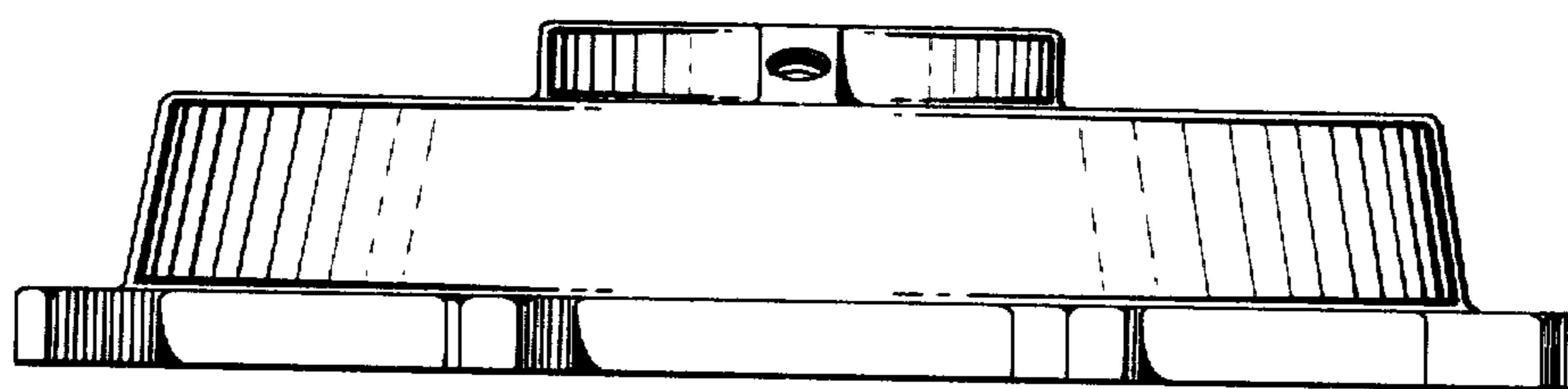


FIG. 3

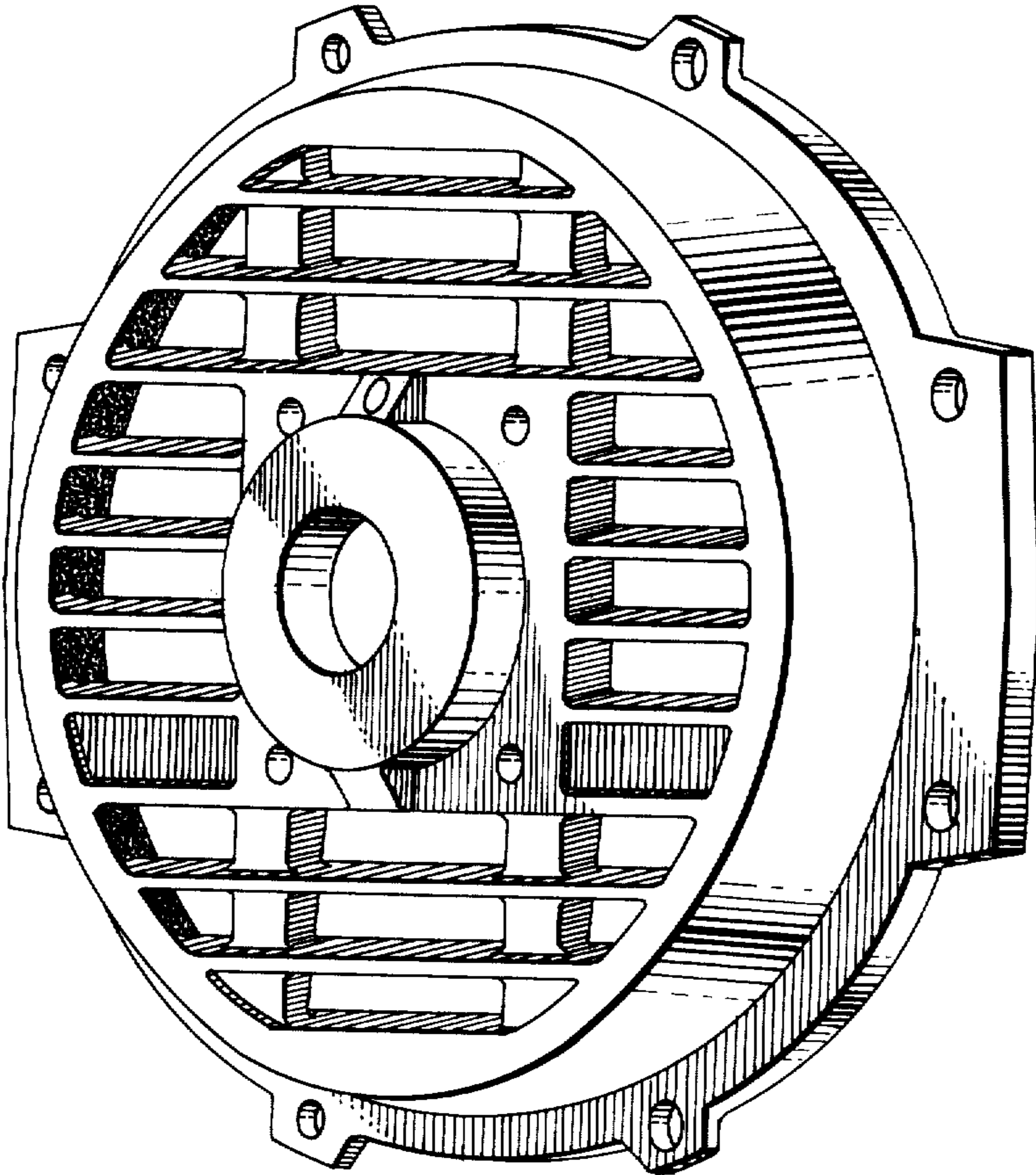


FIG.4