

[54] EXIT OPERATOR

[76] Inventor: Richard J. Ohno, 38 Orchard Hill Rd., Branford, Conn. 06405

[**] Term: 14 Years

[21] Appl. No.: 197,509

[22] Filed: Oct. 16, 1980

[51] Int. Cl. D8-06

[52] U.S. Cl. D8/302; D8/319

[58] Field of Search D8/300, 302, 315, 319, D8/320; 292/92, 93

[56] References Cited

U.S. PATENT DOCUMENTS

D. 248,444	7/1978	Folger et al.	D8/319
3,266,829	8/1966	Gasser et al.	292/92
3,663,047	5/1972	Zawadzki	292/92
3,877,262	4/1975	Williams	292/92
4,181,335	1/1980	Thoren	292/92

Primary Examiner—B. J. Bullock
Attorney, Agent, or Firm—DeLio and Libert

[57] CLAIM

The ornamental design for an exit operator, substantially as shown and described.

DESCRIPTION

FIG. 1 is a front elevational view of an exit operator showing my new design, the rear being unornamented; FIG. 2 is a bottom plan view of FIG. 1, the top being a mirror image;

FIG. 3 is an end elevational view taken from the left of FIG. 1;

FIG. 4 is an end elevational view taken from the right of FIG. 1;

FIG. 5 is an enlarged sectional view taken in the direction of the arrows on line 5-13 5 of FIG. 2;

FIG. 6 is an enlarged sectional view taken in the direction of the arrows on line 6-6 of FIG. 2;

FIG. 7 is a front elevational view of a second embodiment of the design of FIG. 1, the rear being unornamented;

FIG. 8 is a fragmentary bottom plan view of FIG. 7, the top being a mirror image;

FIG. 9 is an enlarged sectional view taken in the direction of the arrows on line 9-9 of FIG. 8;

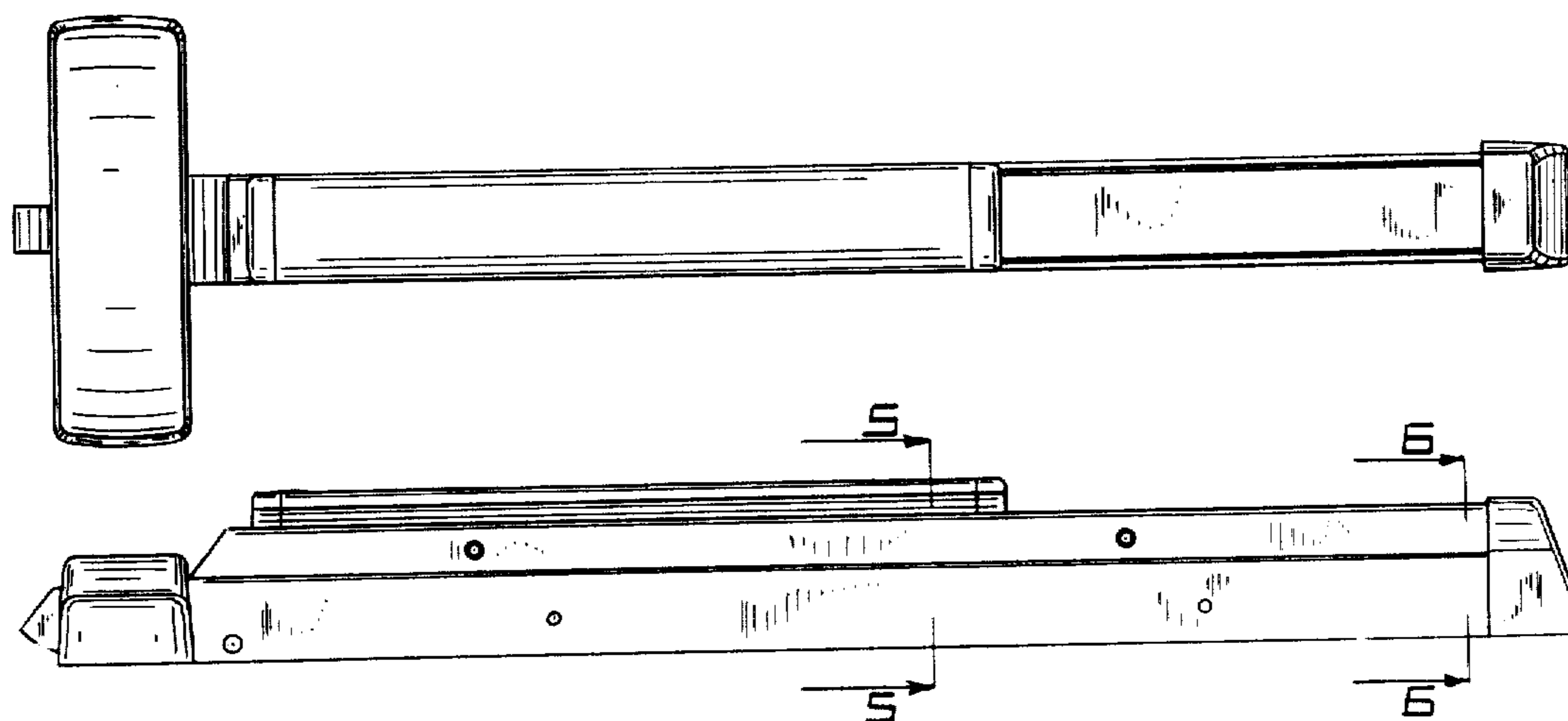
FIG. 10 is a front elevational view of a third embodiment of the design of FIG. 1, the rear being unornamented;

FIG. 11 is a bottom plan view of FIG. 10, the top being a mirror image;

FIG. 12 is an enlarged end elevational view taken from the left of FIG. 10;

FIG. 13 is an enlarged end elevational view taken from the right end of FIG. 10;

FIG. 14 is an enlarged sectional view taken in the direction of the arrows on line 14-14 of FIG. 11.



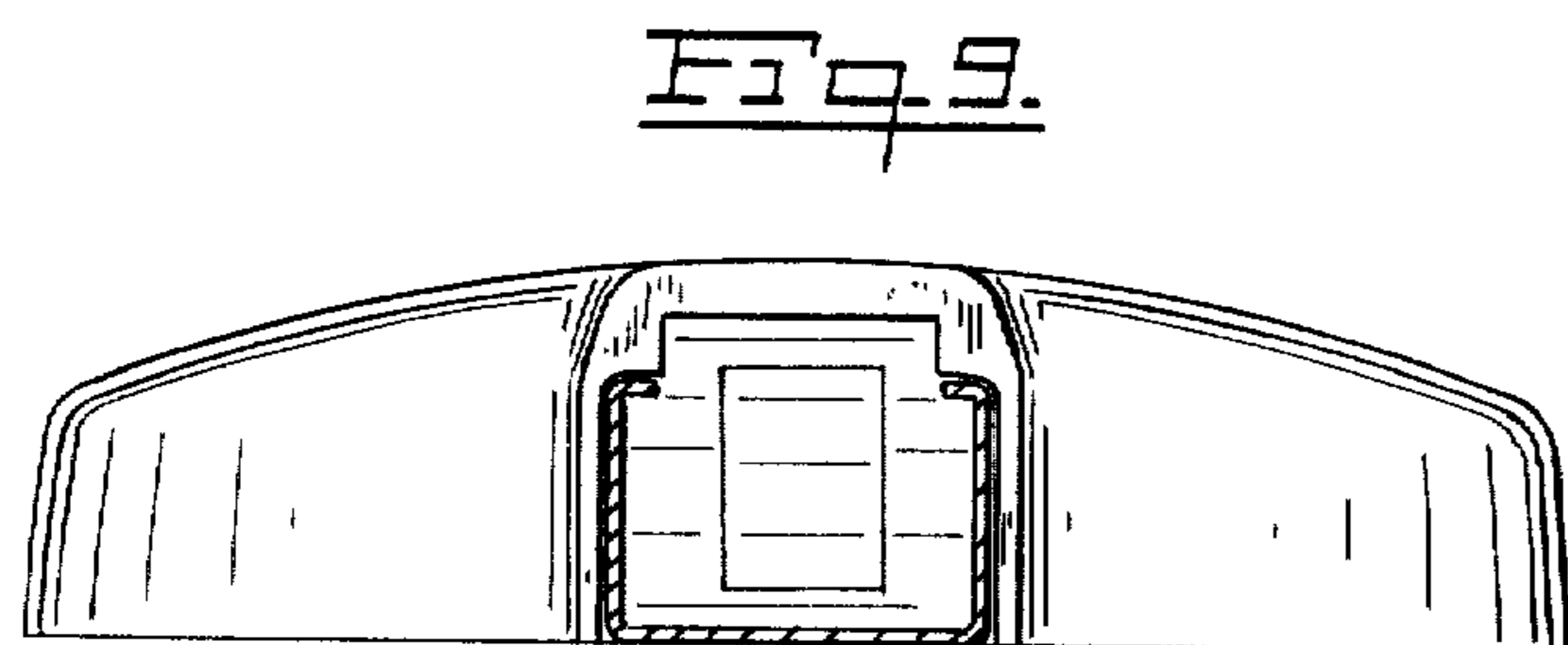
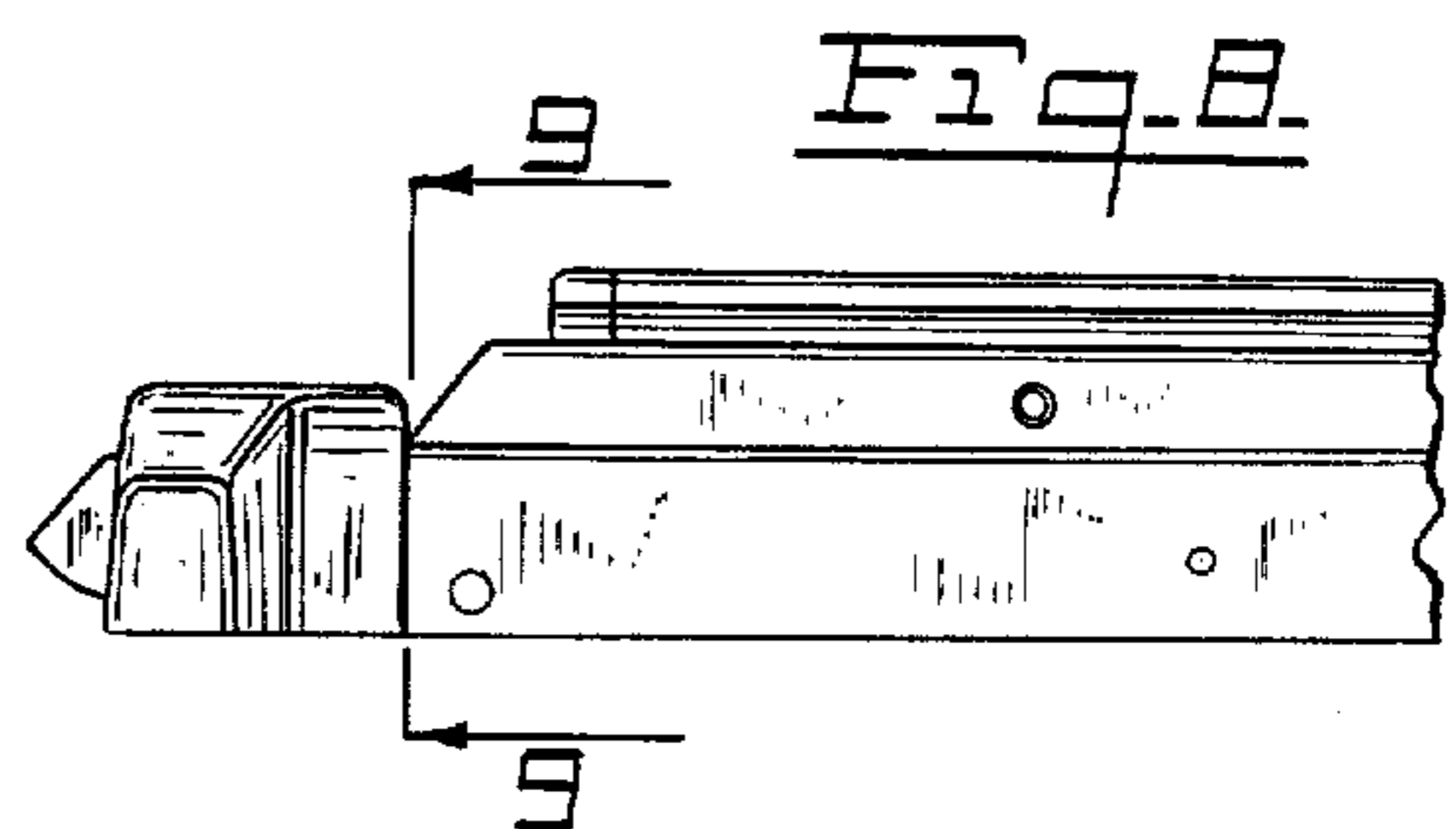
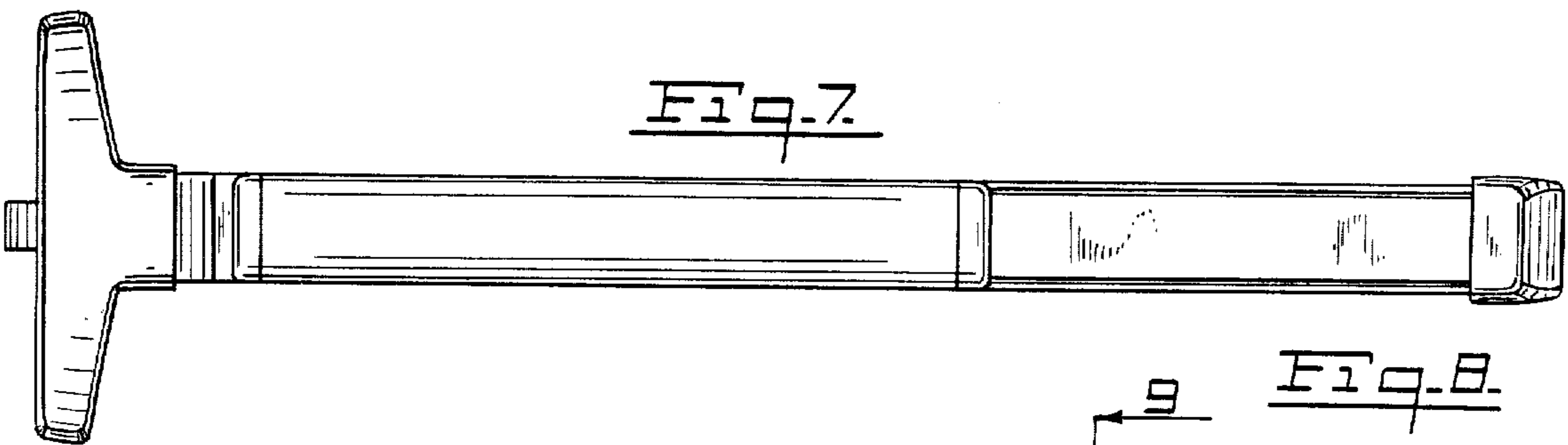
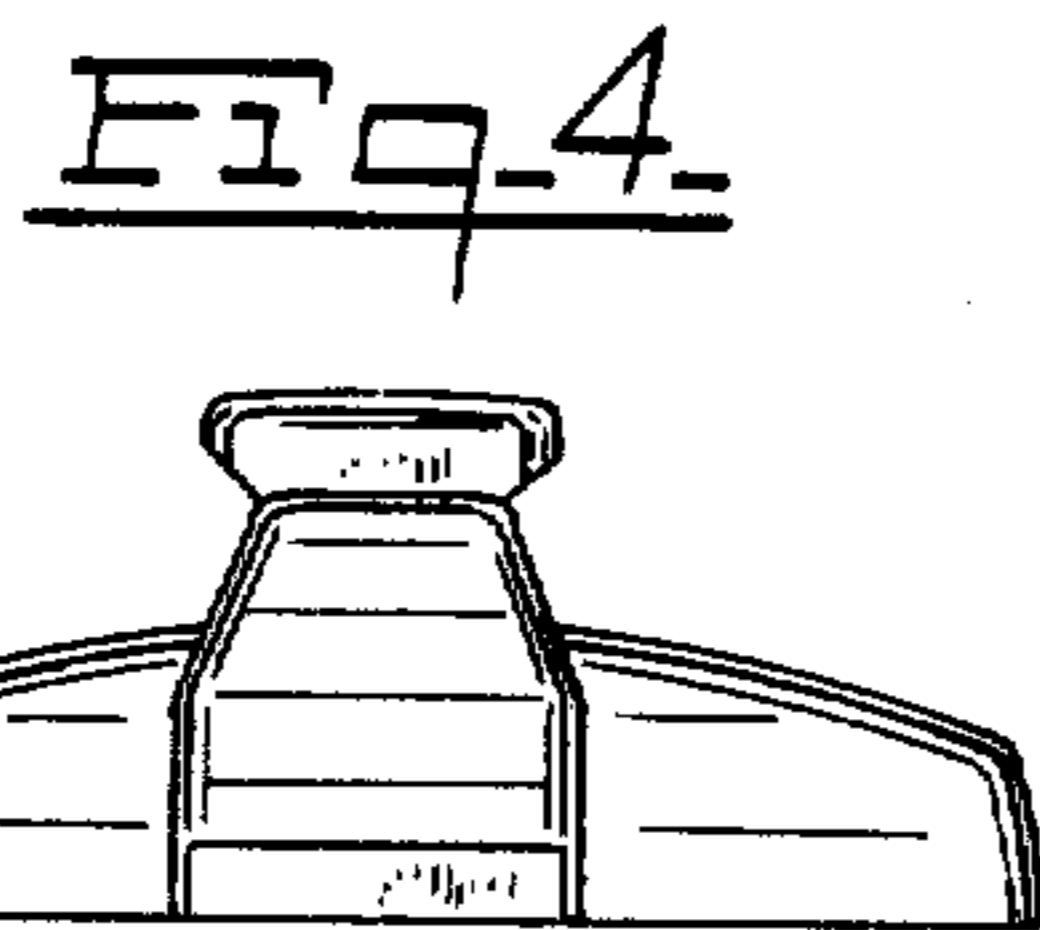
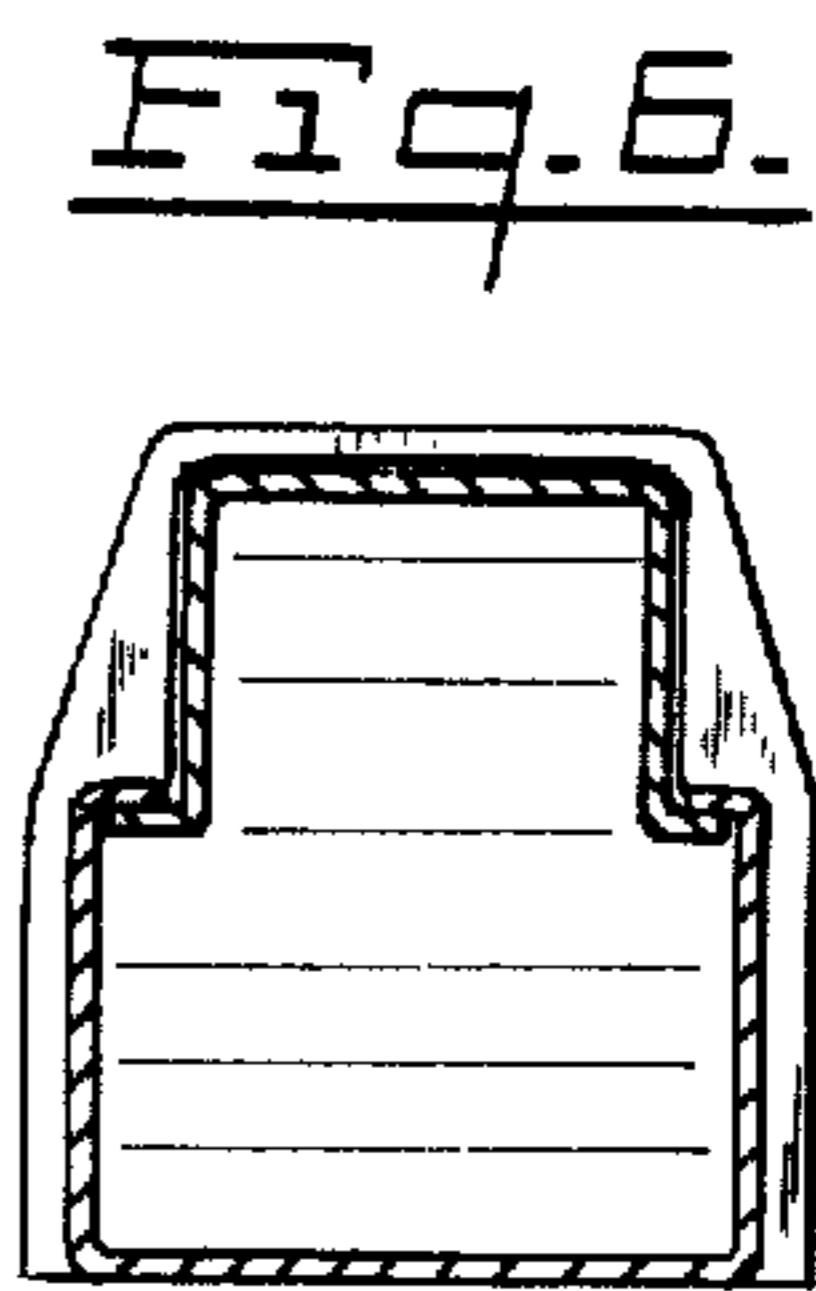
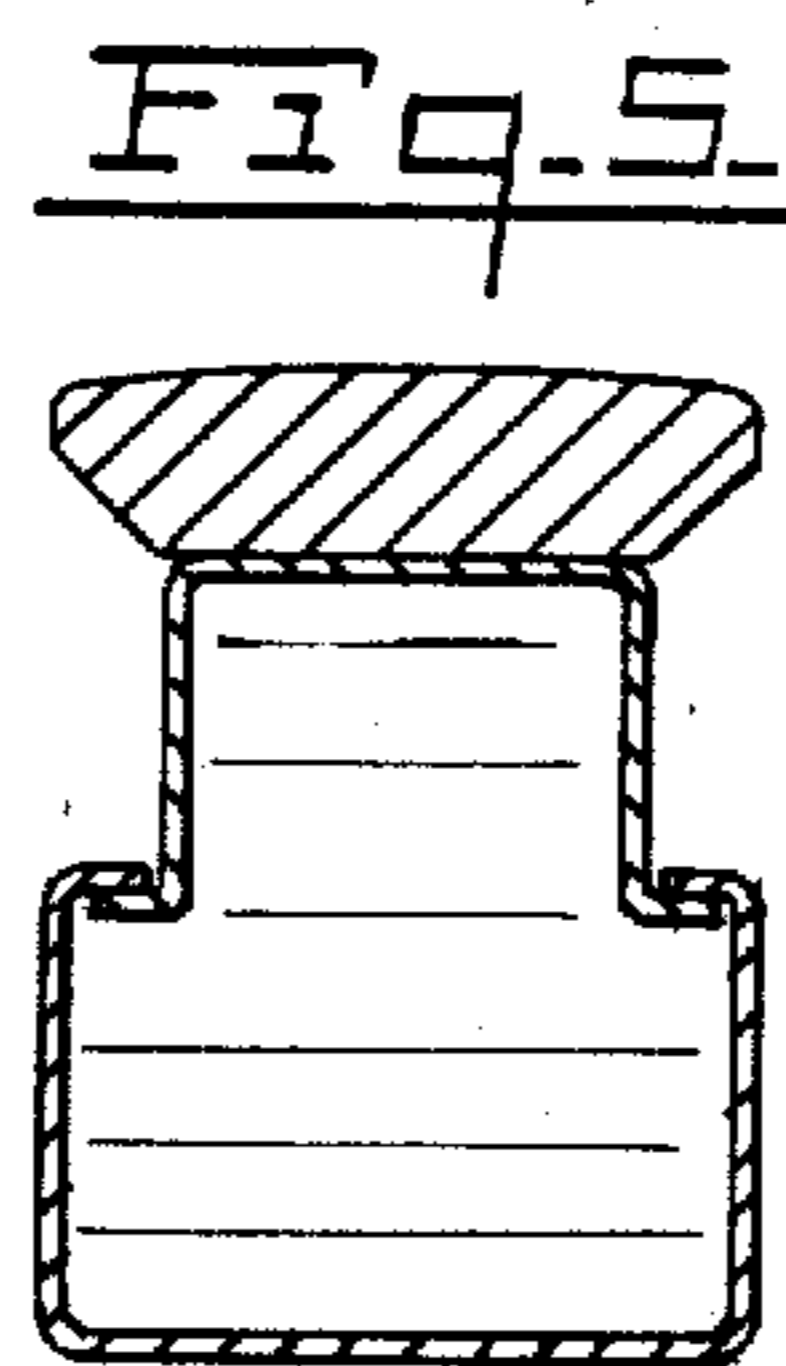
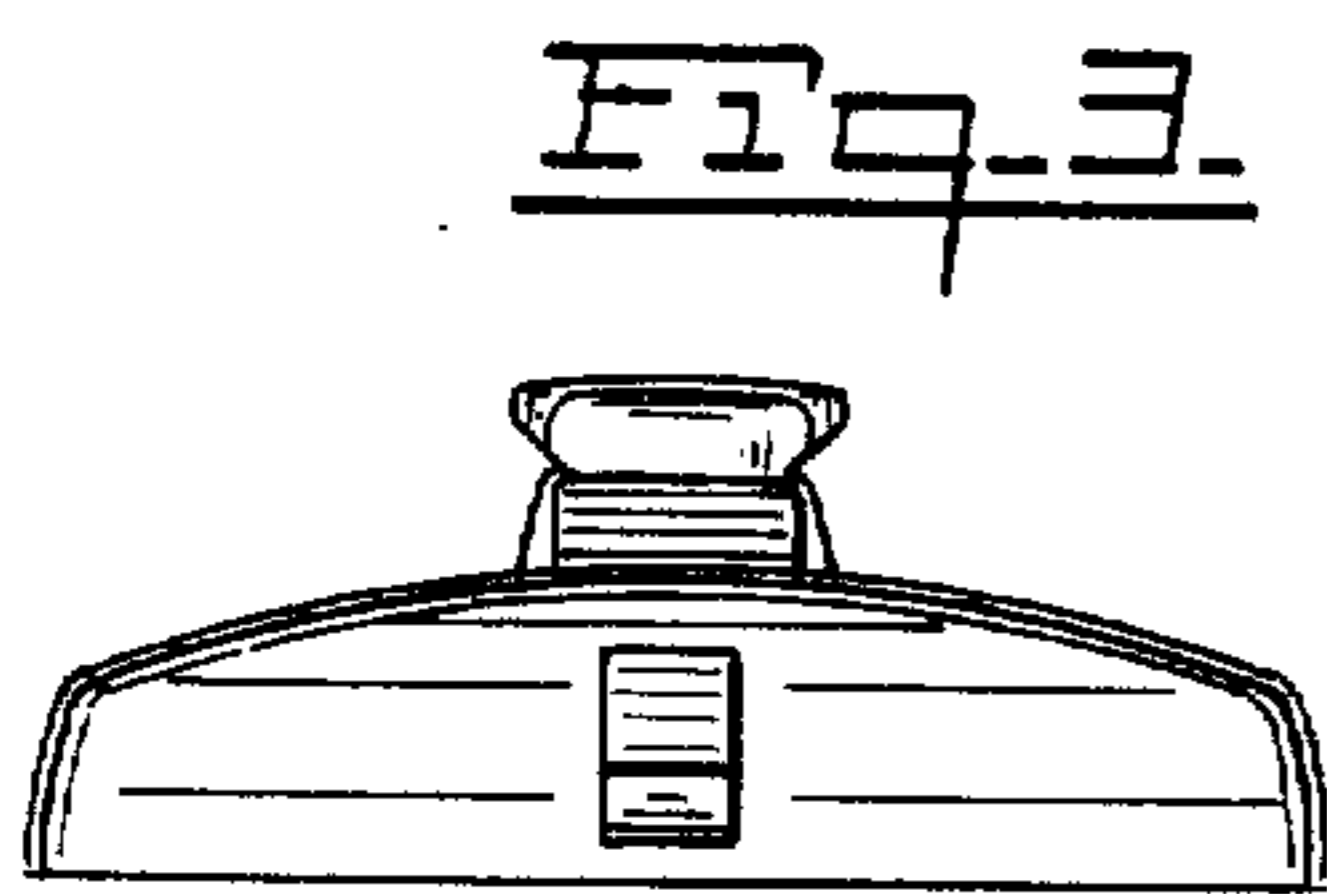
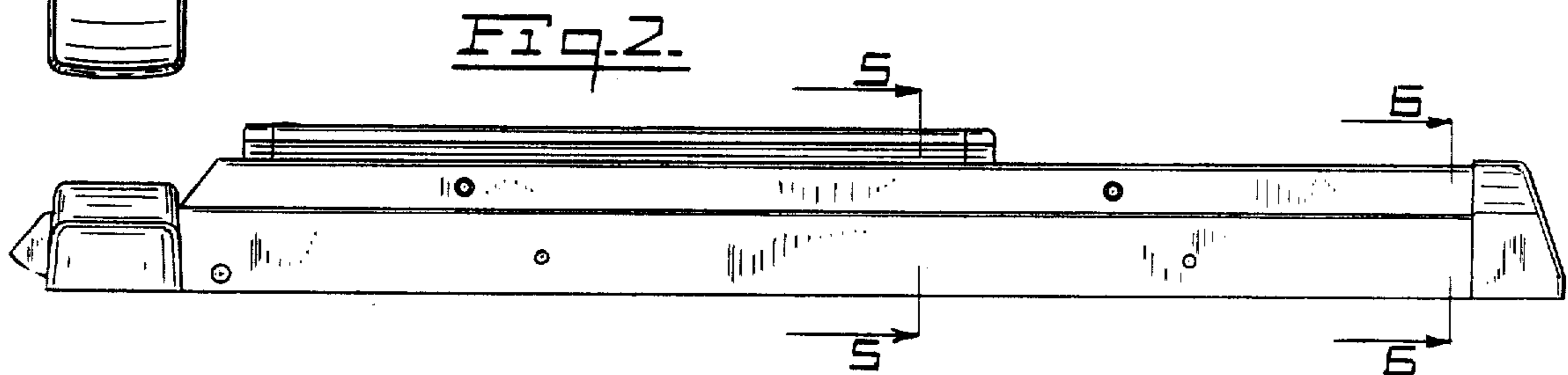
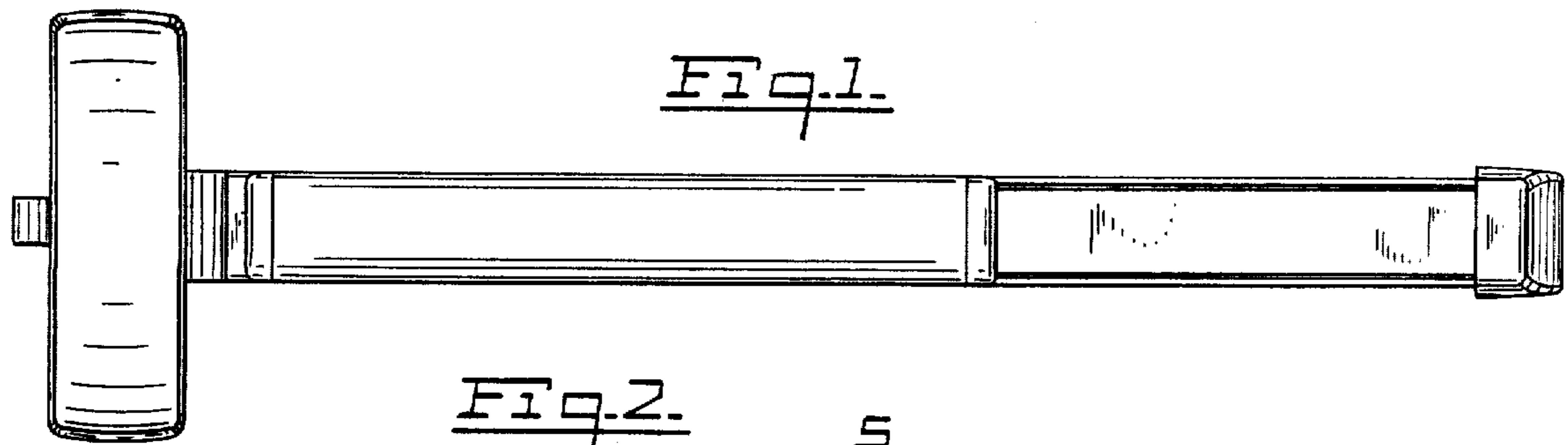


Fig. 10.

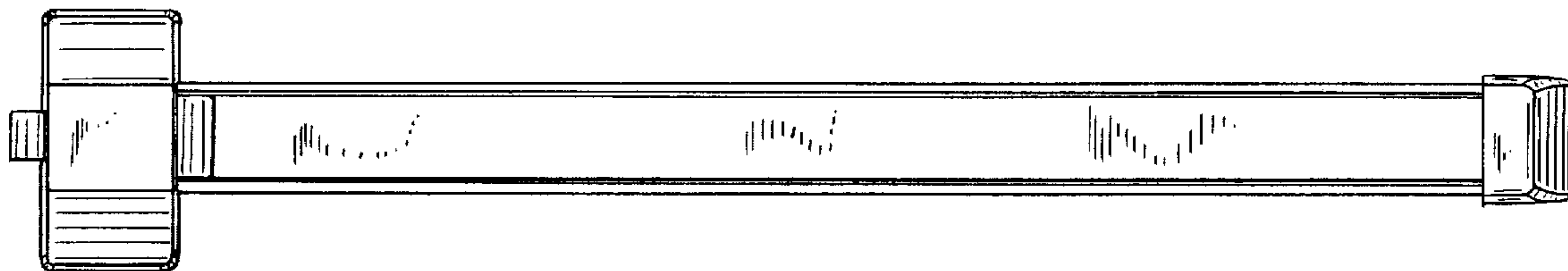


Fig. 11.

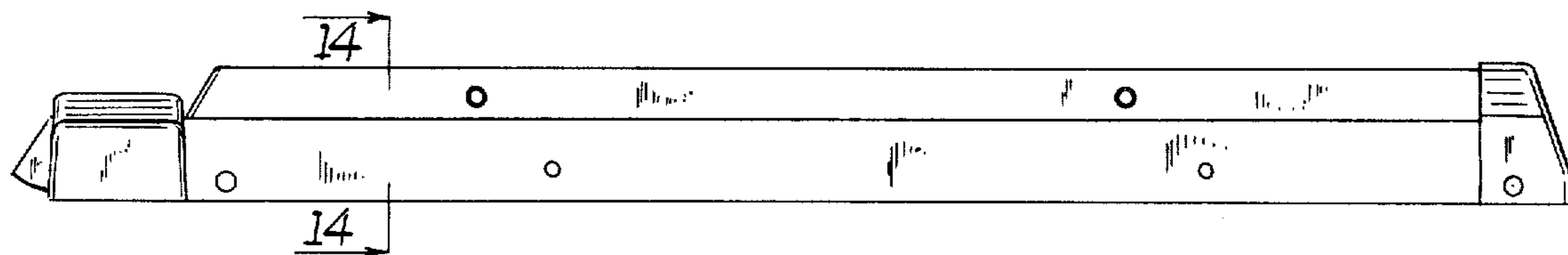


Fig. 12.

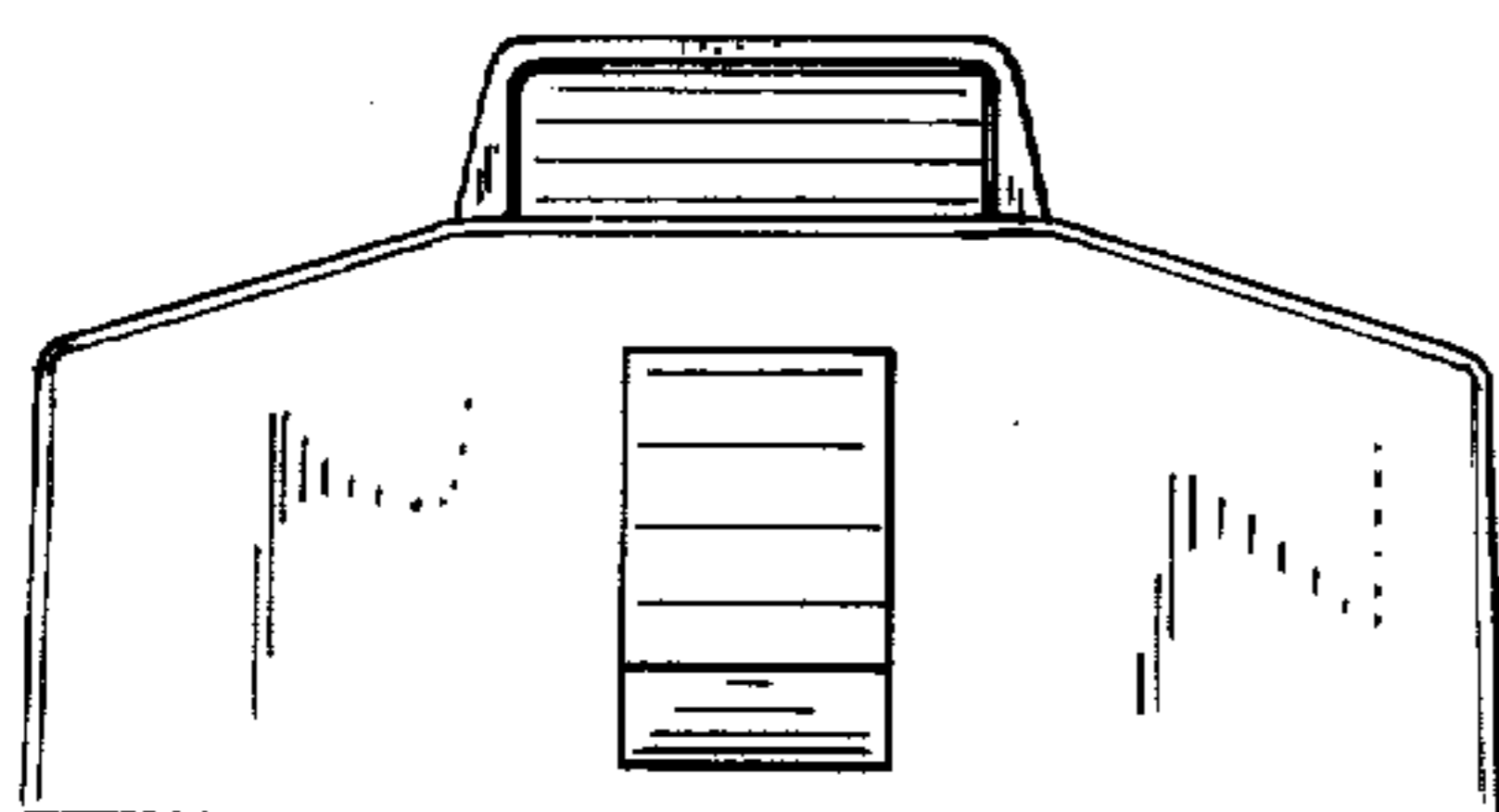


Fig. 13.

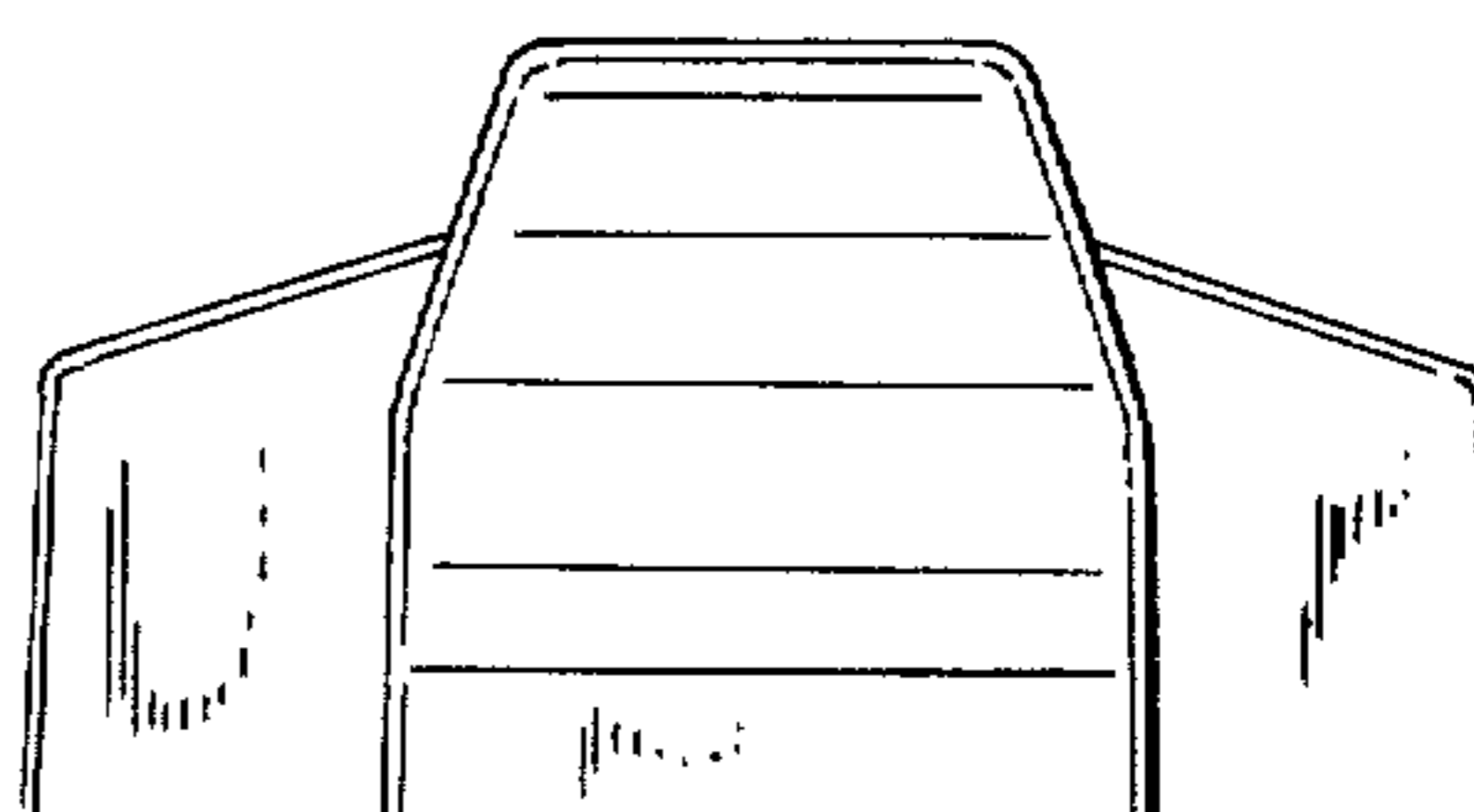
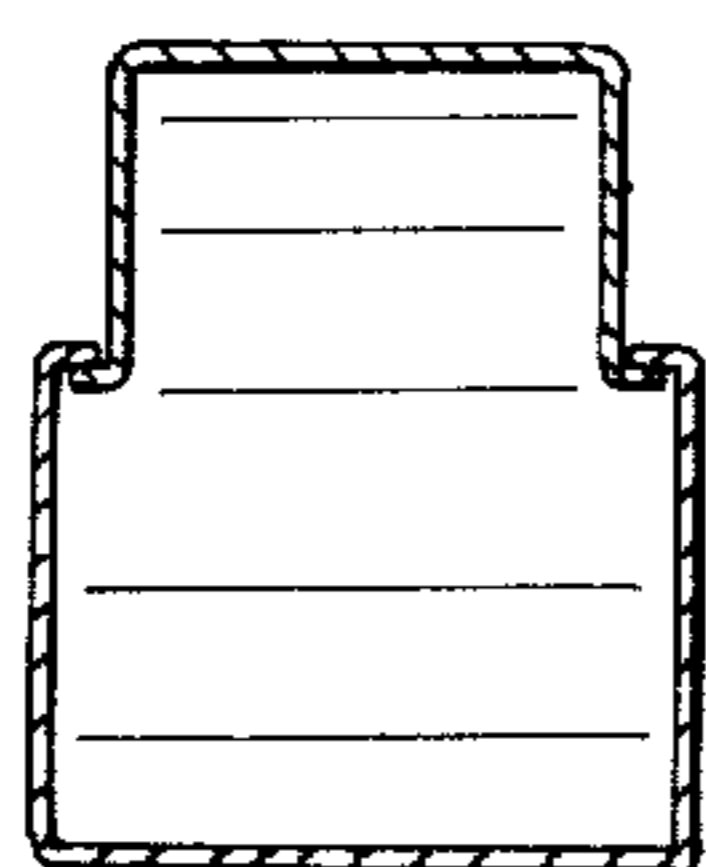


Fig. 14.



UNITED STATES PATENT AND TRADEMARK OFFICE
CERTIFICATE OF CORRECTION

PATENT NO. : D268003
DATED : February 22, 1983
INVENTOR(S) : Richard J. Ohno

It is certified that error appears in the above-identified patent and that said Letters Patent are hereby corrected as shown below:

Description of FIG. 5, line 2
change "5-13 5 of FIG 2;" to--5-5 of FIG 2;--

Signed and Sealed this
Nineteenth Day of April 1983

[SEAL]

Attest:

Attesting Officer

GERALD J. MOSSINGHOFF

Commissioner of Patents and Trademarks