

[54] ROTARY CULTIVATING TOOL

[76] Inventor: Henry P. Dellinger, 1036 Pineglen Dr., Forest Park, Ga. 30050

[**] Term: 14 Years

[21] Appl. No.: 213,189

[22] Filed: Dec. 4, 1980

[51] Int. Cl. D8-01

[52] U.S. Cl. D8/08

[58] Field of Search 172/349, 350, 15, 21; D8/8, 11, 13

[56] References Cited

U.S. PATENT DOCUMENTS

D. 171,859	3/1954	Pettus	D8/8
D. 209,914	1/1968	Beinert	D8/8
1,901,992	3/1933	Smith	D8/8 X
2,748,683	6/1956	Baird	172/350
3,340,937	9/1967	Vanderveer	172/350
4,094,363	6/1978	McCoomb	172/21 X

FOREIGN PATENT DOCUMENTS

118059 2/1944 Australia 172/349

Primary Examiner—Bernard Ansher
Attorney, Agent, or Firm—James B. Middleton

[57] CLAIM

The ornamental design for a rotary cultivating tool, as shown and described.

DESCRIPTION

FIG. 1 is a perspective view of a rotary cultivating tool embodying the new design and showing the left end of the tool;

FIG. 2 is a right end elevational view of the tool shown in FIG. 1;

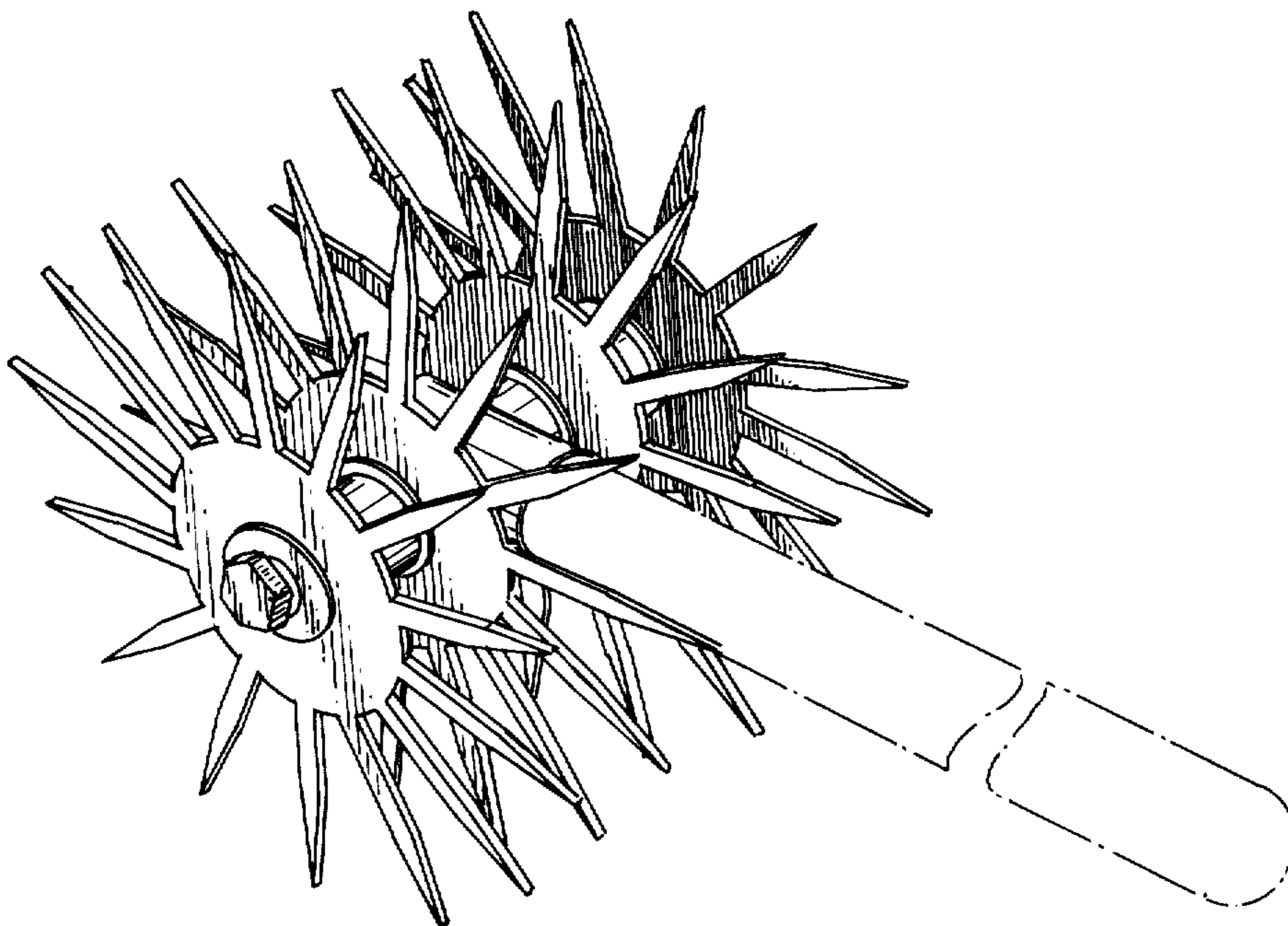
FIG. 3 is a front elevational view of the tool shown in FIGS. 1 and 2;

FIG. 4 is a perspective view similar to FIG. 1 but showing a modified form of the new design;

FIG. 5 is a right end elevational view of the tool shown in FIG. 4; and,

FIG. 6 is a front elevational view of the tool shown in FIGS. 3 and 4.

The broken lines are shown for illustrative purposes only.



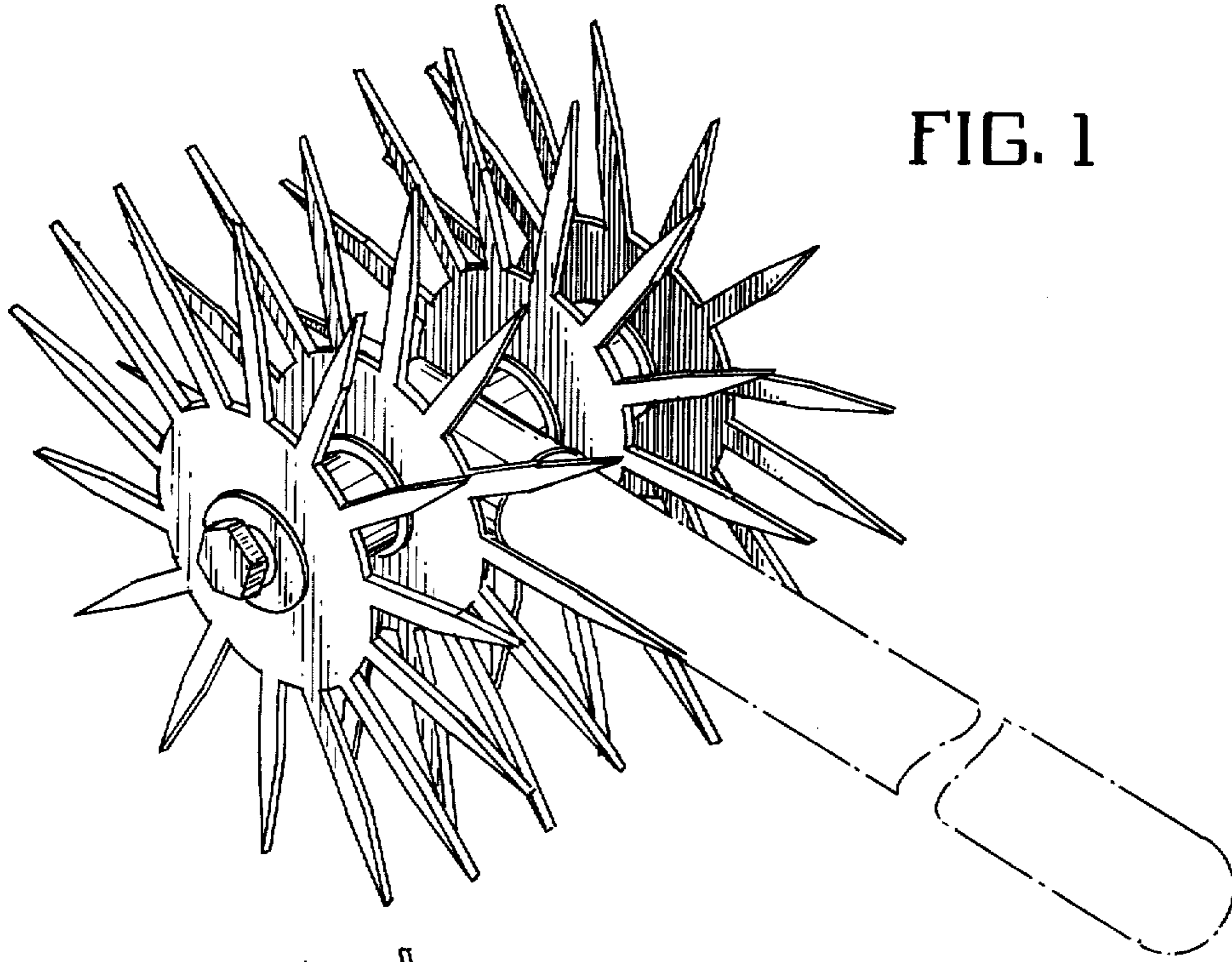


FIG. 1

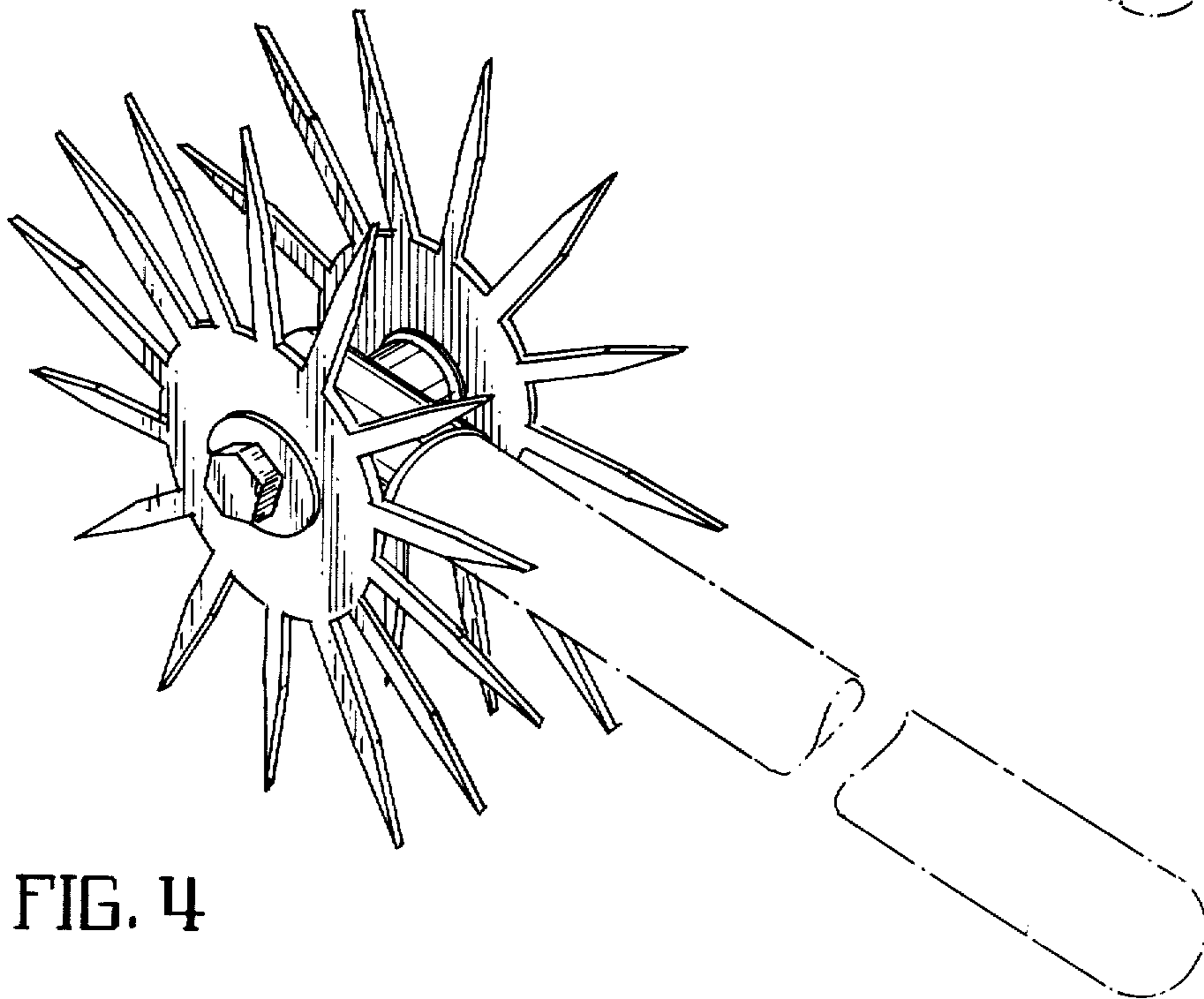


FIG. 4

FIG. 2

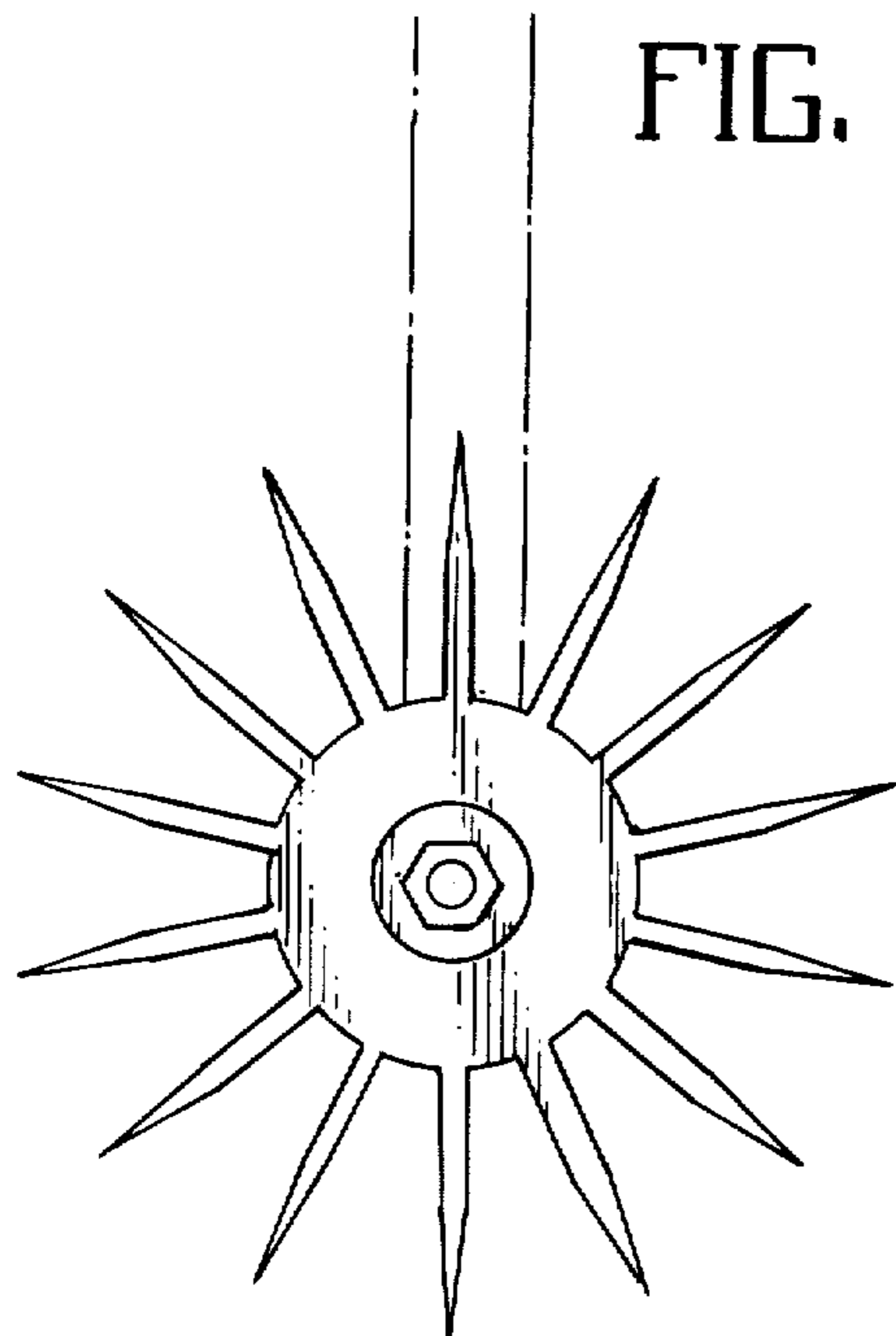


FIG. 3

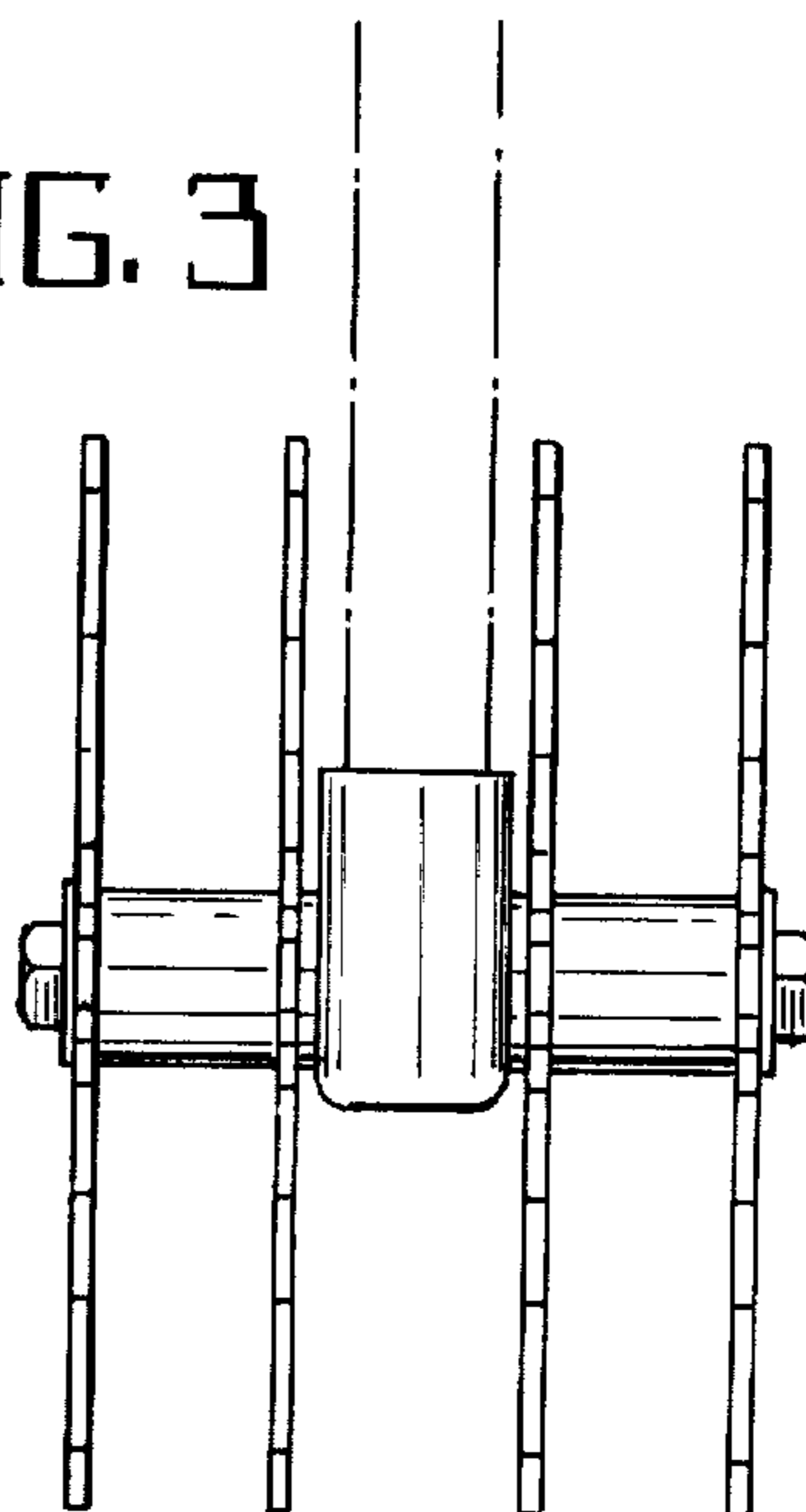


FIG. 5

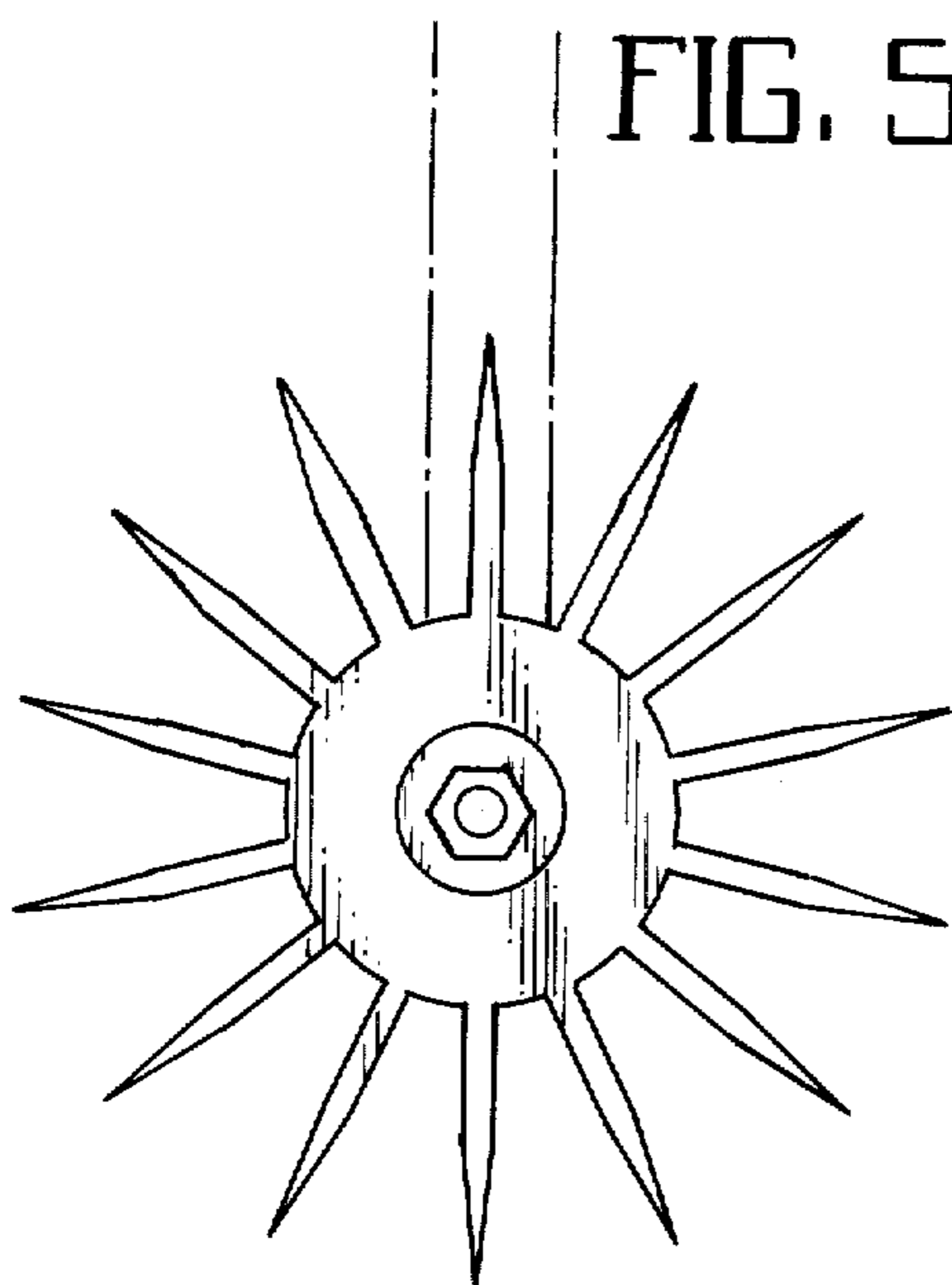


FIG. 6

