

[54] FOOD MINCER

[75] Inventor: Eugene Kowalski, South Orange, N.J.

[73] Assignee: ELPO Industries, Inc., Paramus, N.J.

[\*\*] Term: 14 Years

[21] Appl. No.: 213,905

[22] Filed: Dec. 8, 1980

[51] Int. Cl. .... D07-04

[52] U.S. Cl. .... D7/101; D7/105; D7/106; 30/226

[58] Field of Search ..... D7/105, 99, 101, 106; 100/234; 30/226, 227, 114; D8/52, 57

[56] References Cited

U.S. PATENT DOCUMENTS

D. 15,588 12/1884 Maynard ..... D7/105  
184,914 11/1876 Scripps ..... 30/226 X

D. 228,866 10/1973 Flene ..... D7/105

OTHER PUBLICATIONS

*IBM Technical Disclosure Bulletin*, vol. 13, No. 10, Mar. 1971, p. 2865, Cable Slitter, Houser and Roody.

Primary Examiner—Winifred E. Herrmann  
Attorney, Agent, or Firm—Weingram & Klauber

[57] CLAIM

The ornamental design for a food mincer, as shown and described.

DESCRIPTION

FIG. 1 is a top rear perspective view of a food mincer showing my new design.

FIG. 2 is a left side elevation thereof.

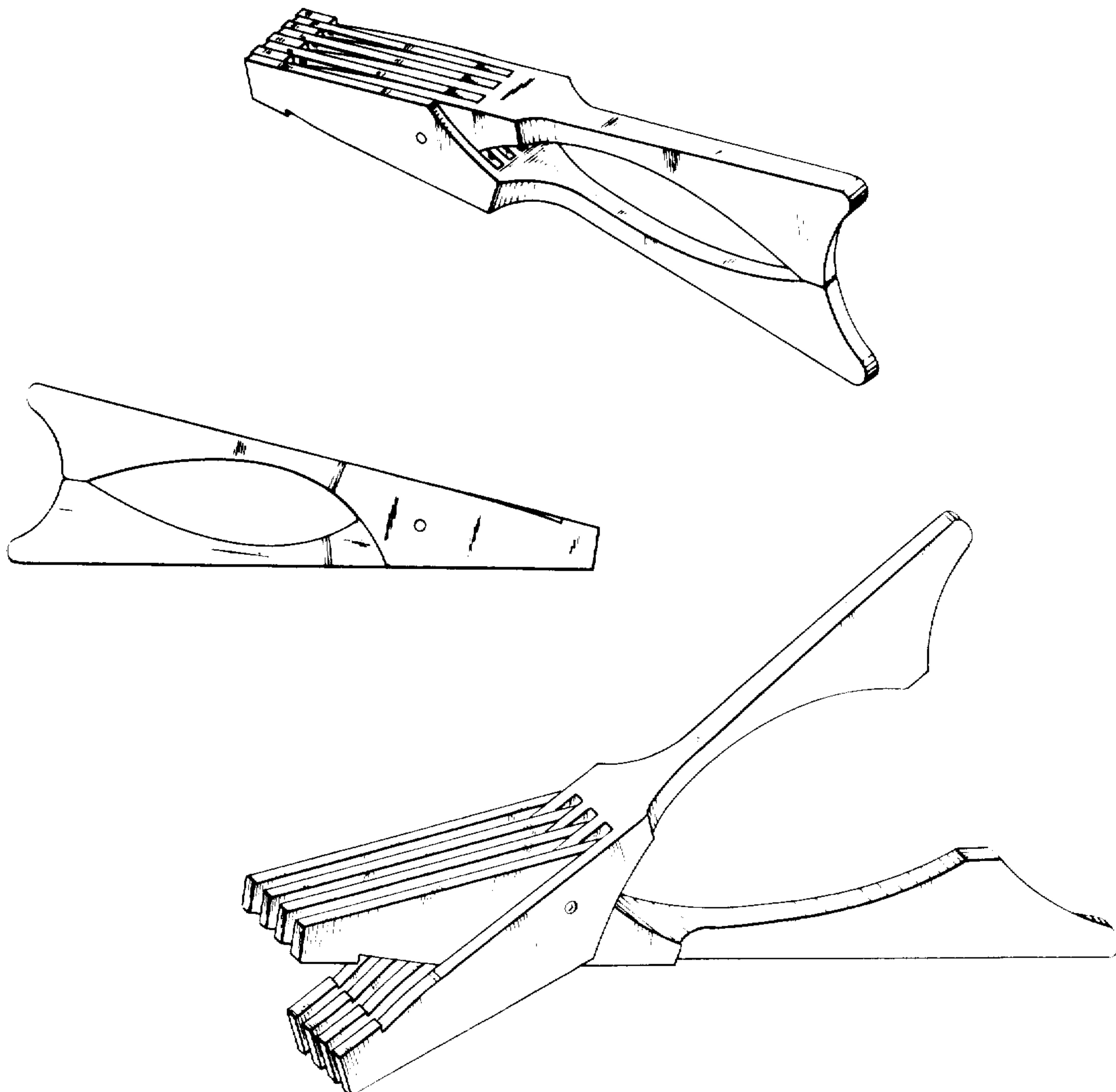
FIG. 3 is a right side elevation thereof.

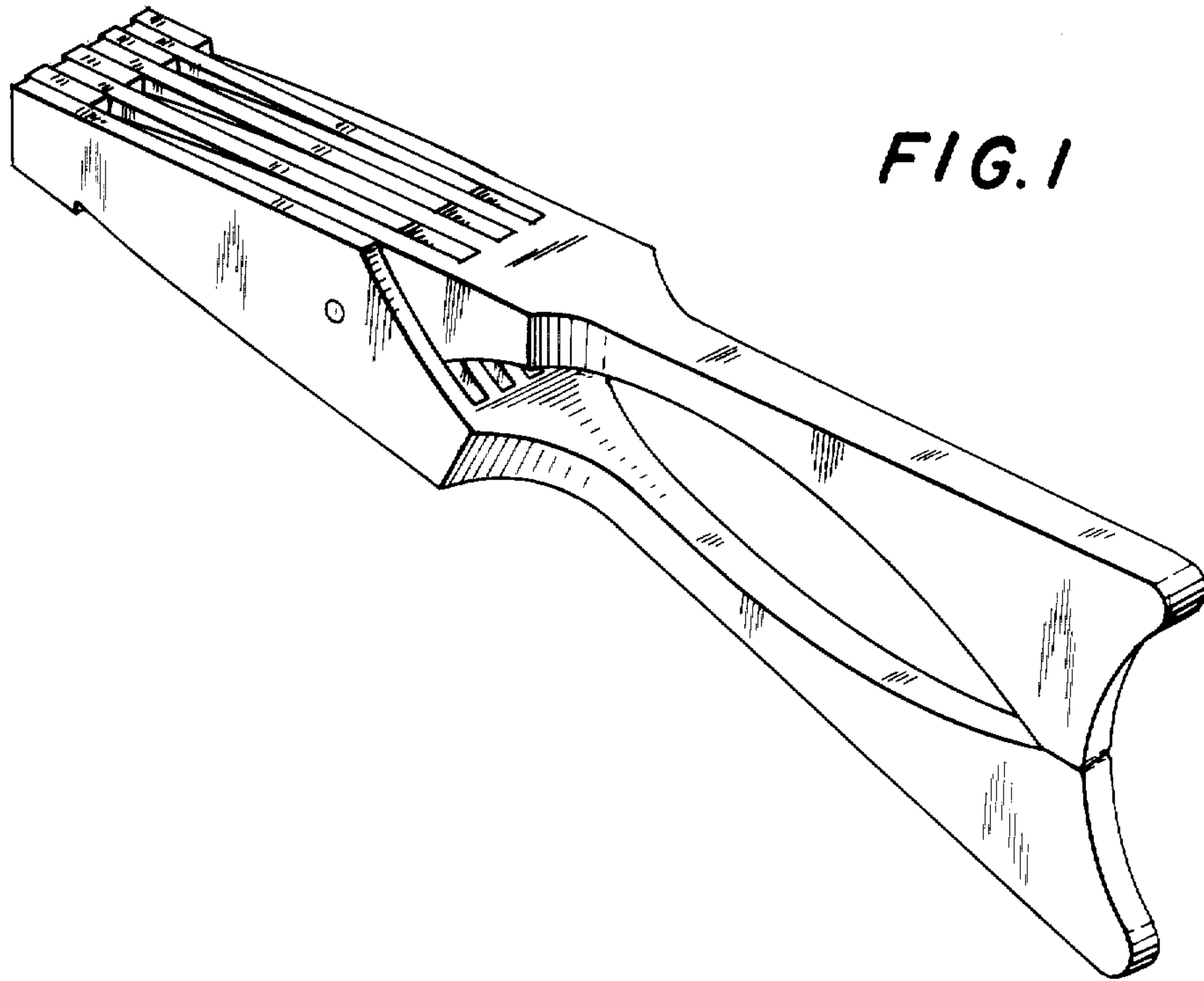
FIG. 4 is a top plan view thereof.

FIG. 5 is a front view thereof.

FIG. 6 is a rear view thereof.

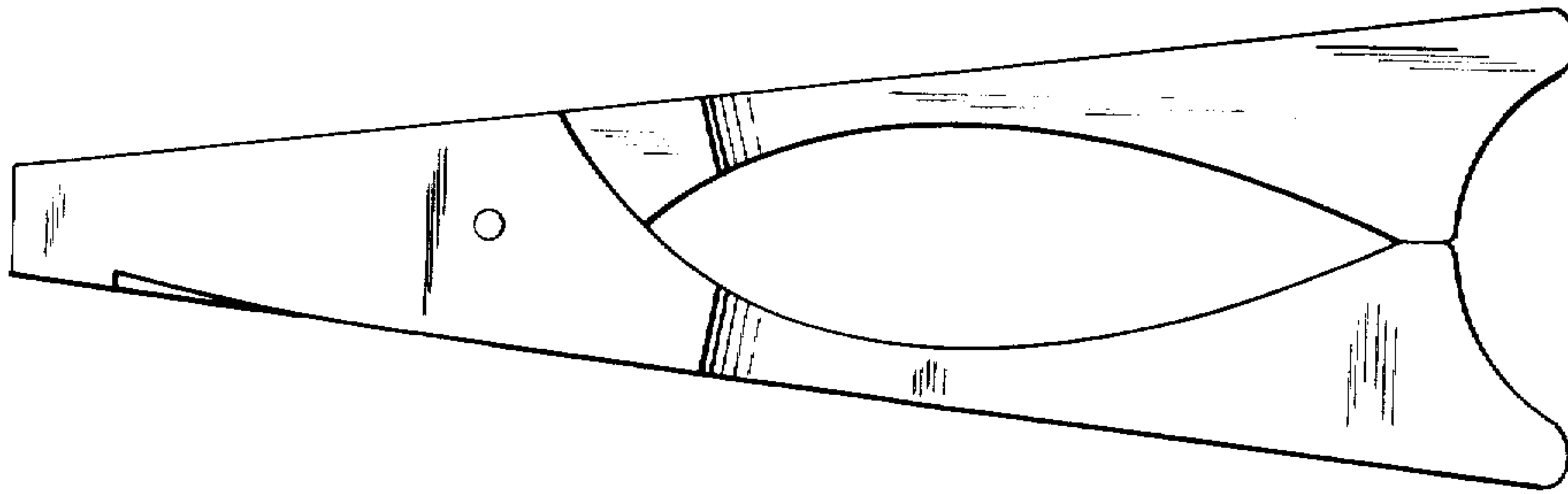
FIG. 7 is perspective view thereof in the open position.



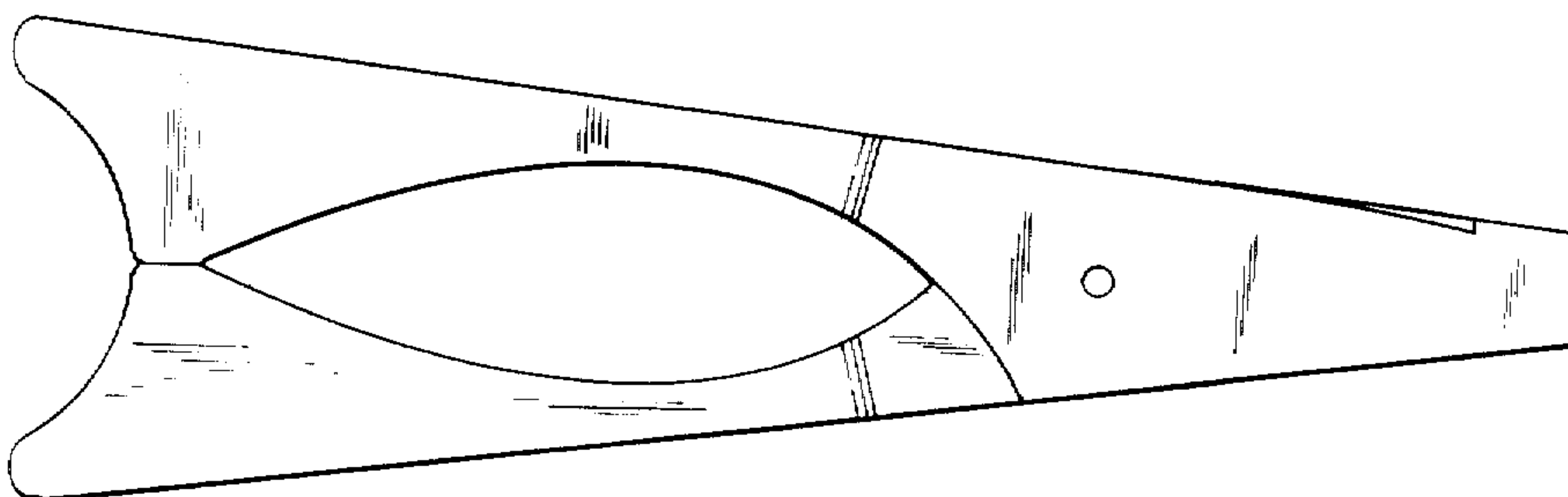


**FIG. 1**

**FIG. 2**



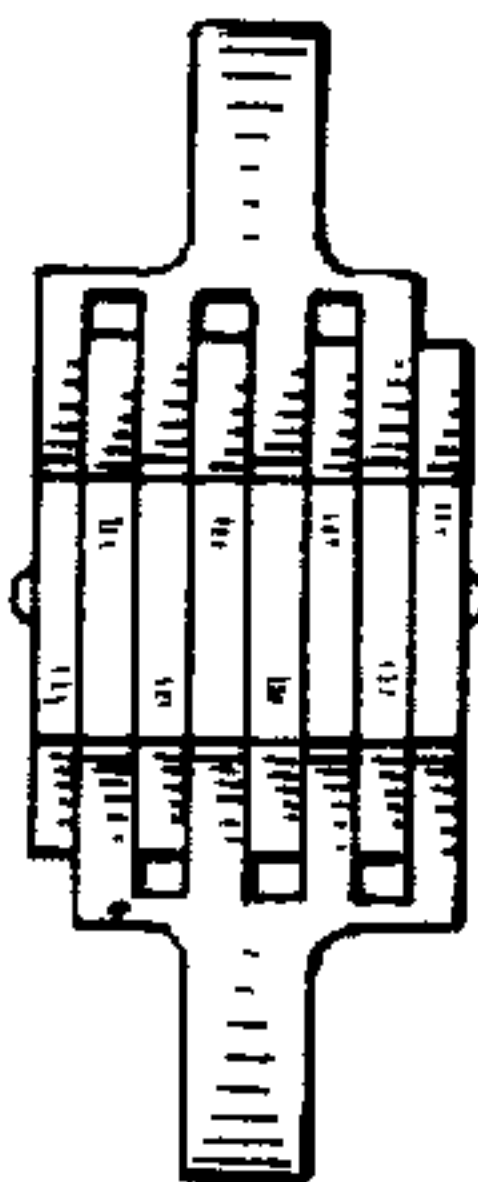
**FIG. 3**



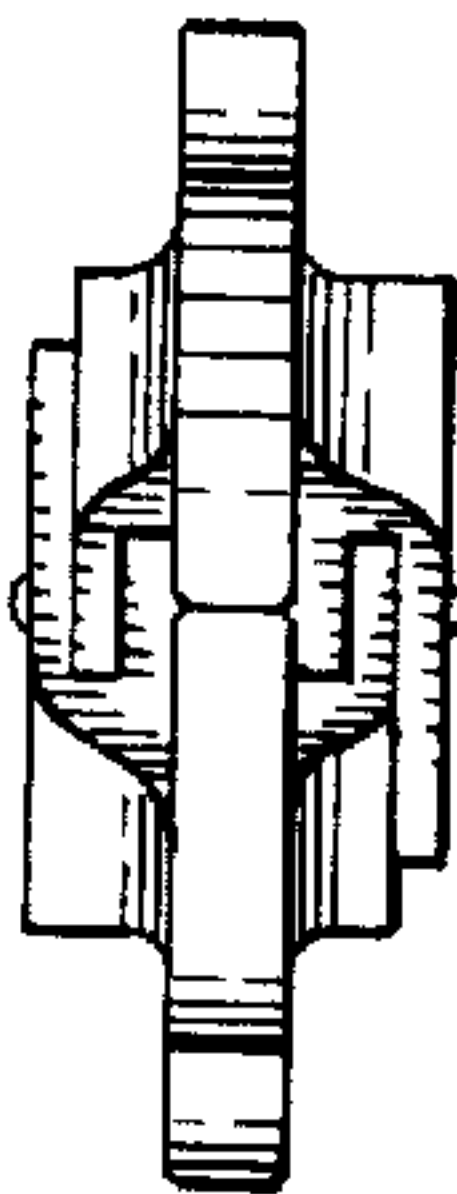
**FIG. 4**



**FIG. 5**



**FIG. 6**



**FIG. 7**

