

[54] FOOD PRODUCT ASSEMBLY TABLE

[75] Inventor: Norman E. Luzich, Wichita, Kans.

[73] Assignee: Pizza Hut, Inc., Wichita, Kans.

[**] Term: 14 Years

[21] Appl. No.: 189,696

[22] Filed: Sep. 22, 1980

[51] Int. Cl. D06-04

[52] U.S. Cl. D6/160; D6/188

[58] Field of Search D6/158, 159, 160, 167, D6/168, 163, 166, 169, 170, 181, 186, 188; D34/14; 296/22; 312/126, 229, 236, 250, 279

[56] References Cited

U.S. PATENT DOCUMENTS

D. 212,176	9/1968	Lambertson	D6/168
2,863,708	12/1958	Cahn	312/279 X
2,886,395	5/1959	Cahn	312/236 X

OTHER PUBLICATIONS

Sweet's Cat. File, 1973, vol. 10, Section 11.23/Dun-Dunhill Food Equipment Corp., p. 1, Soda Fountain Table, top row far left.

Primary Examiner—Joel Stearman
Assistant Examiner—Carmen H. Vales
Attorney, Agent, or Firm—Hume, Clement, Brinks, William & Olds, Ltd.

[57] CLAIM

The ornamental design for a food product assembly table, substantially as shown.

DESCRIPTION

FIG. 1 is a front perspective view of a food product assembly table showing my new design; FIG. 2 is a right side elevational view thereof; FIG. 3 is a top plan view thereof; FIG. 4 is a front elevational view thereof; and FIG. 5 is a rear perspective view thereof.

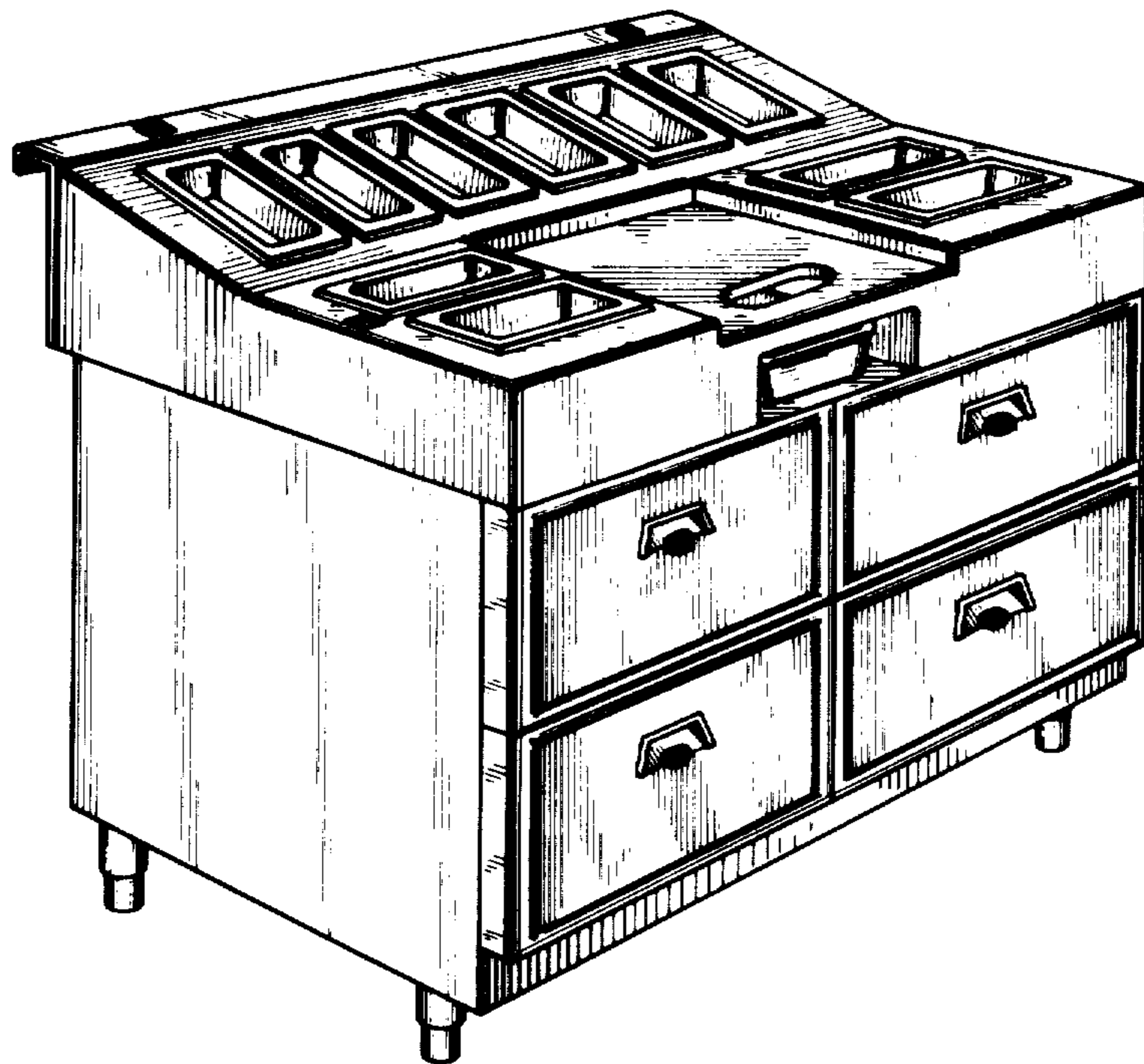
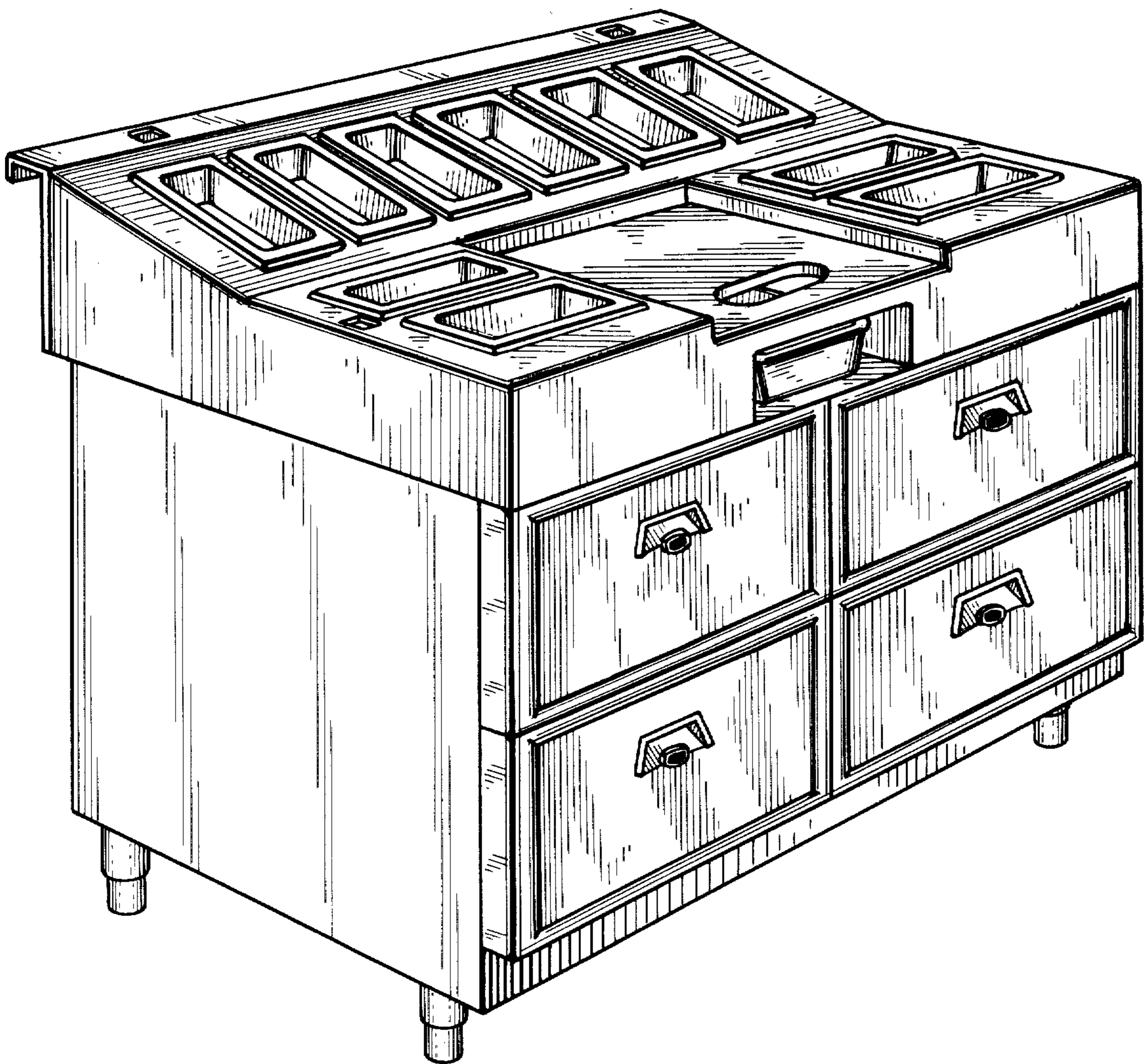


FIG. 1



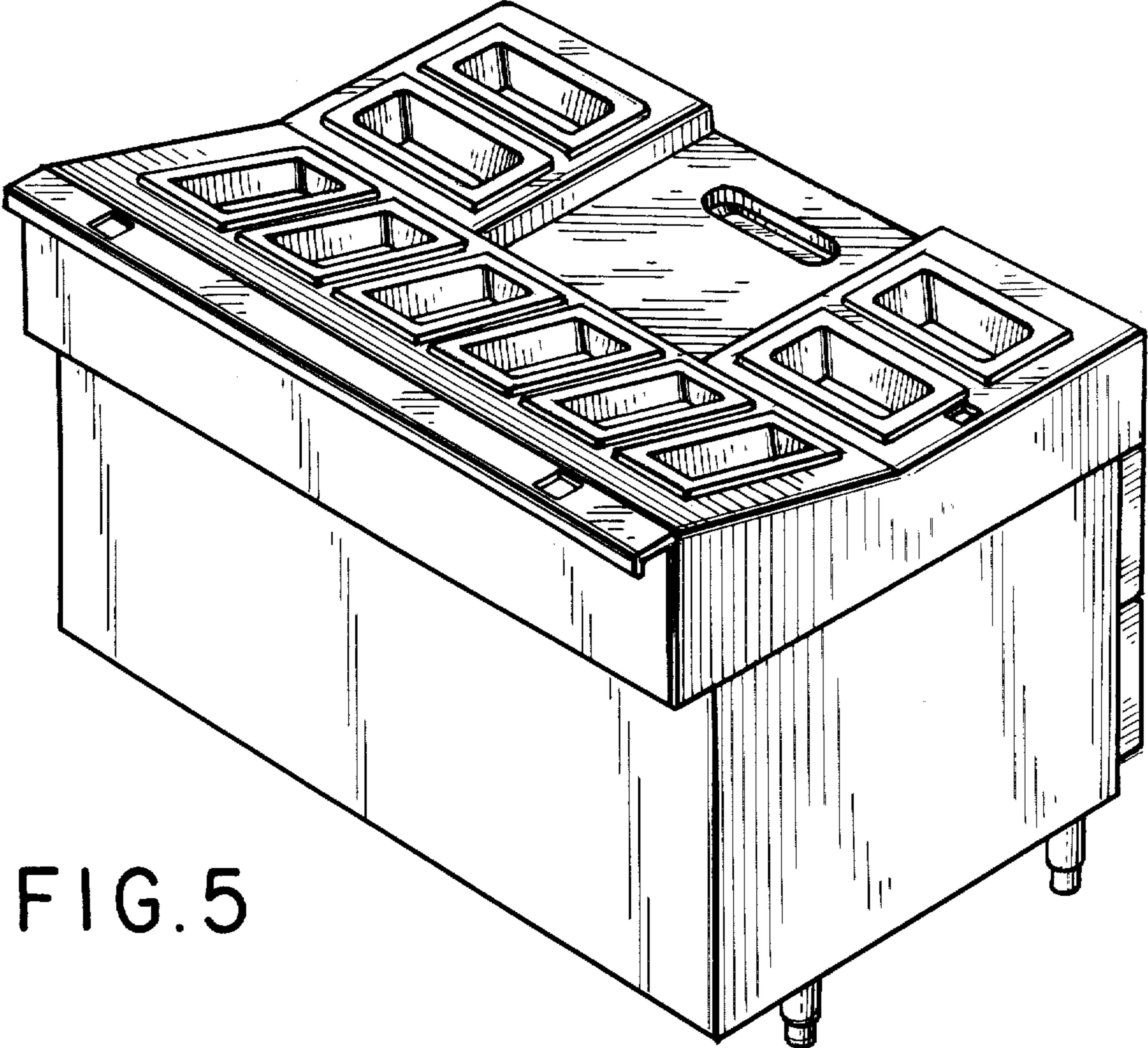


FIG. 5

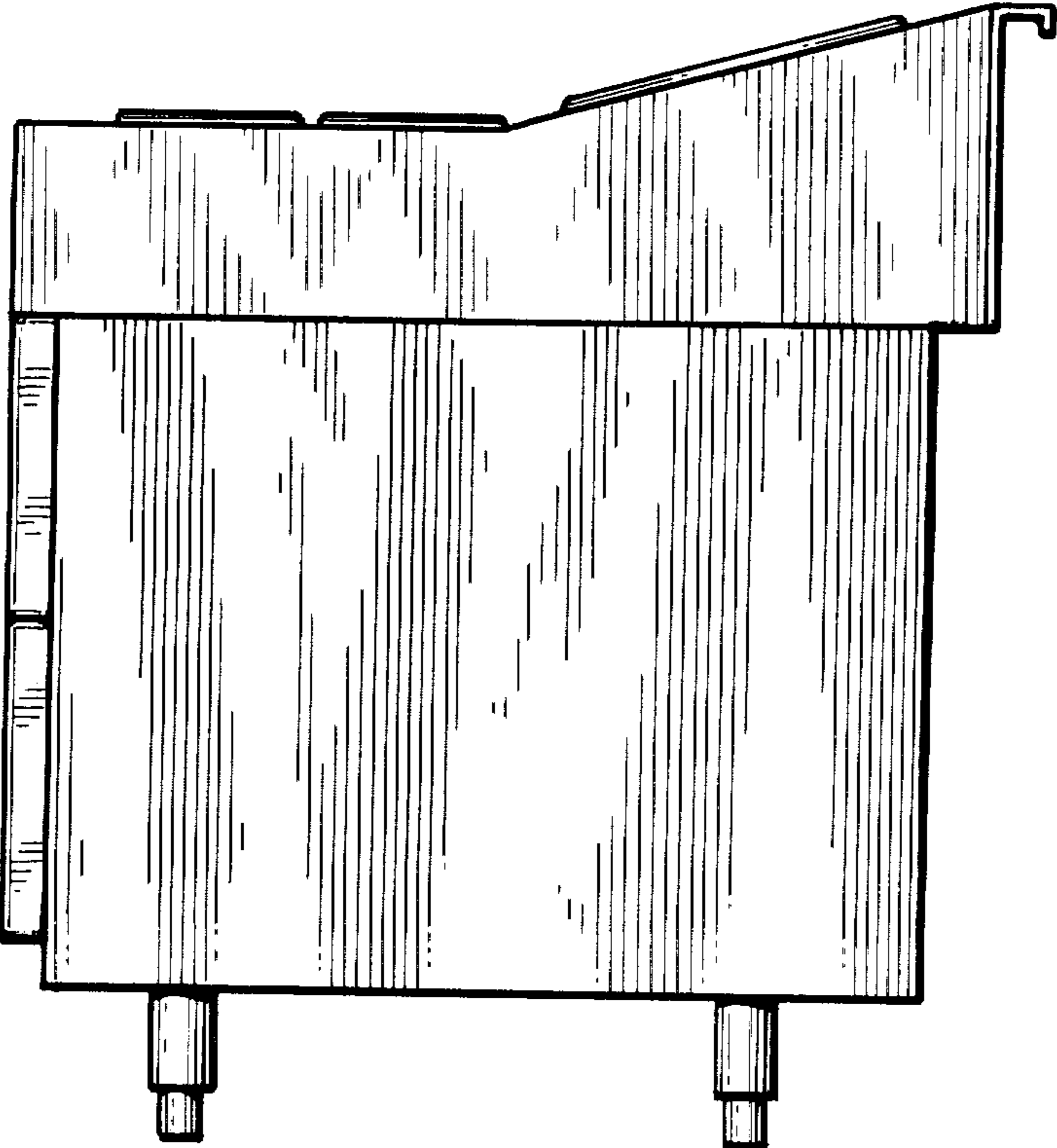


FIG. 2

FIG. 3

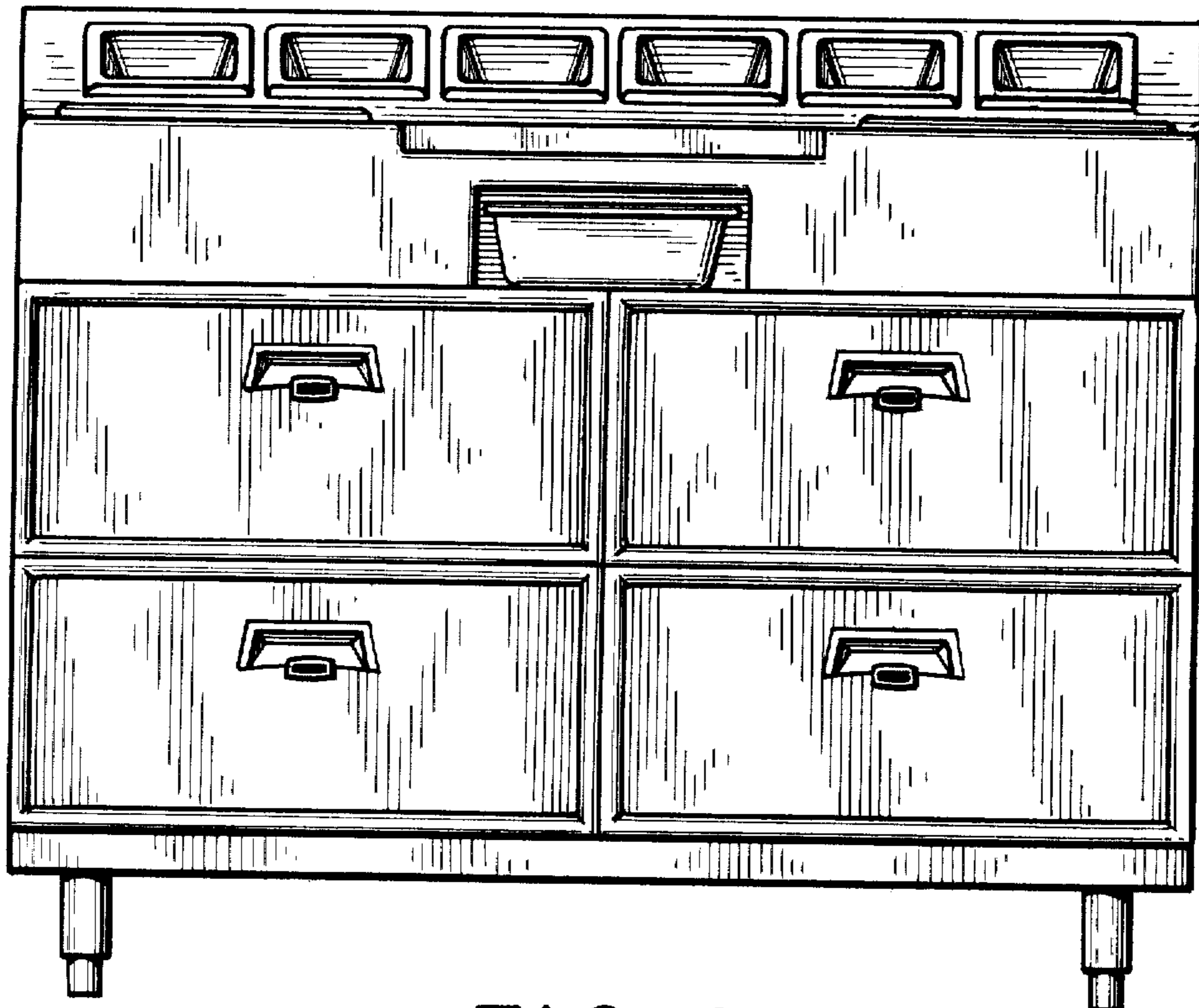
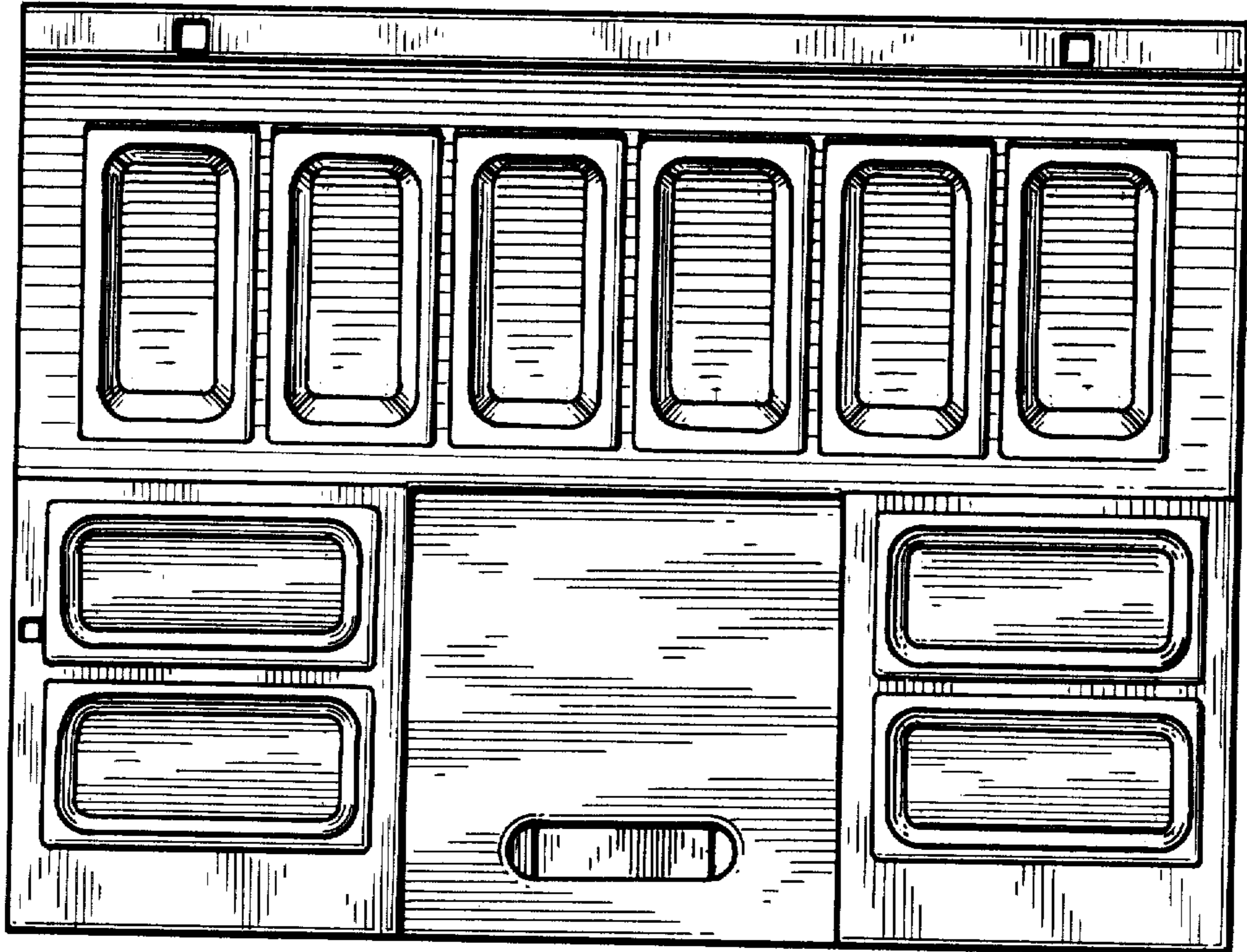


FIG. 4