

[54] TOOTH PASTE DISPENSER

[76] Inventor: Gilbert E. Barrera, 11845 West Ave., San Antonio, Tex. 78216

[**] Term: 14 Years

[21] Appl. No.: 175,492

[22] Filed: Aug. 5, 1980

[51] Int. Cl. D23-02

[52] U.S. Cl. D6/87

[58] Field of Search D6/86, 87; 206/277; 248/108; 222/93, 95, 99, 100, 103, 105

[56] References Cited

U.S. PATENT DOCUMENTS

- D. 204,050 3/1966 Scott D6/87
- D. 261,453 10/1981 Pool D6/87
- 2,759,636 8/1956 Albert et al. 222/103

- 2,781,951 2/1957 Hanford 222/103
- 3,155,278 11/1964 LeBaron D6/87
- 3,281,016 10/1966 Thompson 222/105
- 4,172,536 10/1979 Holt 222/103

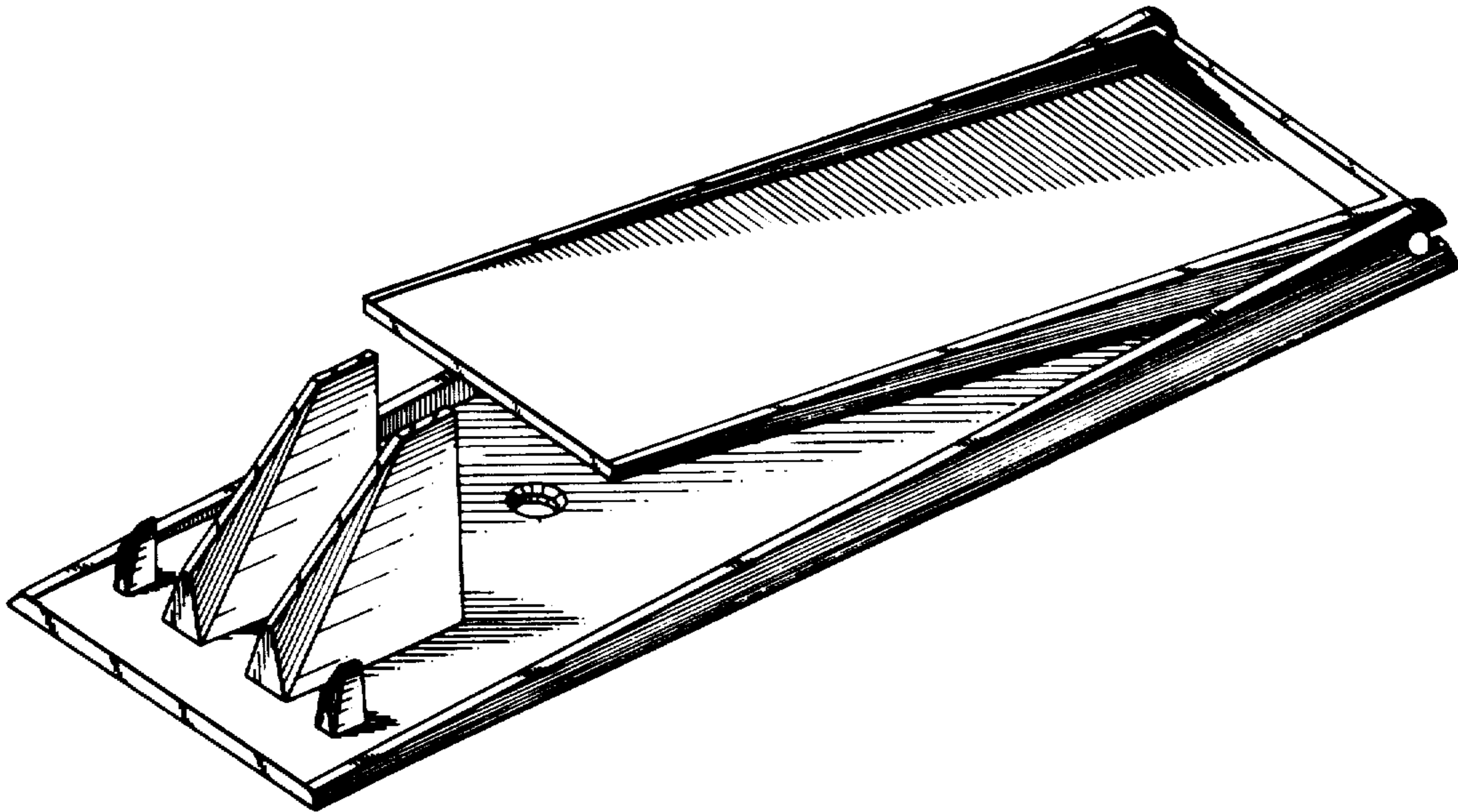
Primary Examiner—B. J. Bullock
Attorney, Agent, or Firm—Cox & Smith Incorporated

[57] CLAIM

The ornamental design for a tooth paste dispenser, as shown.

DESCRIPTION

FIG. 1 is a perspective view of the toothpaste dispenser showing my new design;
 FIG. 2 is a front view thereof;
 FIG. 3 is a rear view thereof;
 FIG. 4 is a side view taken from the left of FIG. 1;
 FIG. 5 is a side view taken from the right of FIG. 1;
 FIG. 6 is a bottom view thereof;
 FIG. 7 is a top view thereof.



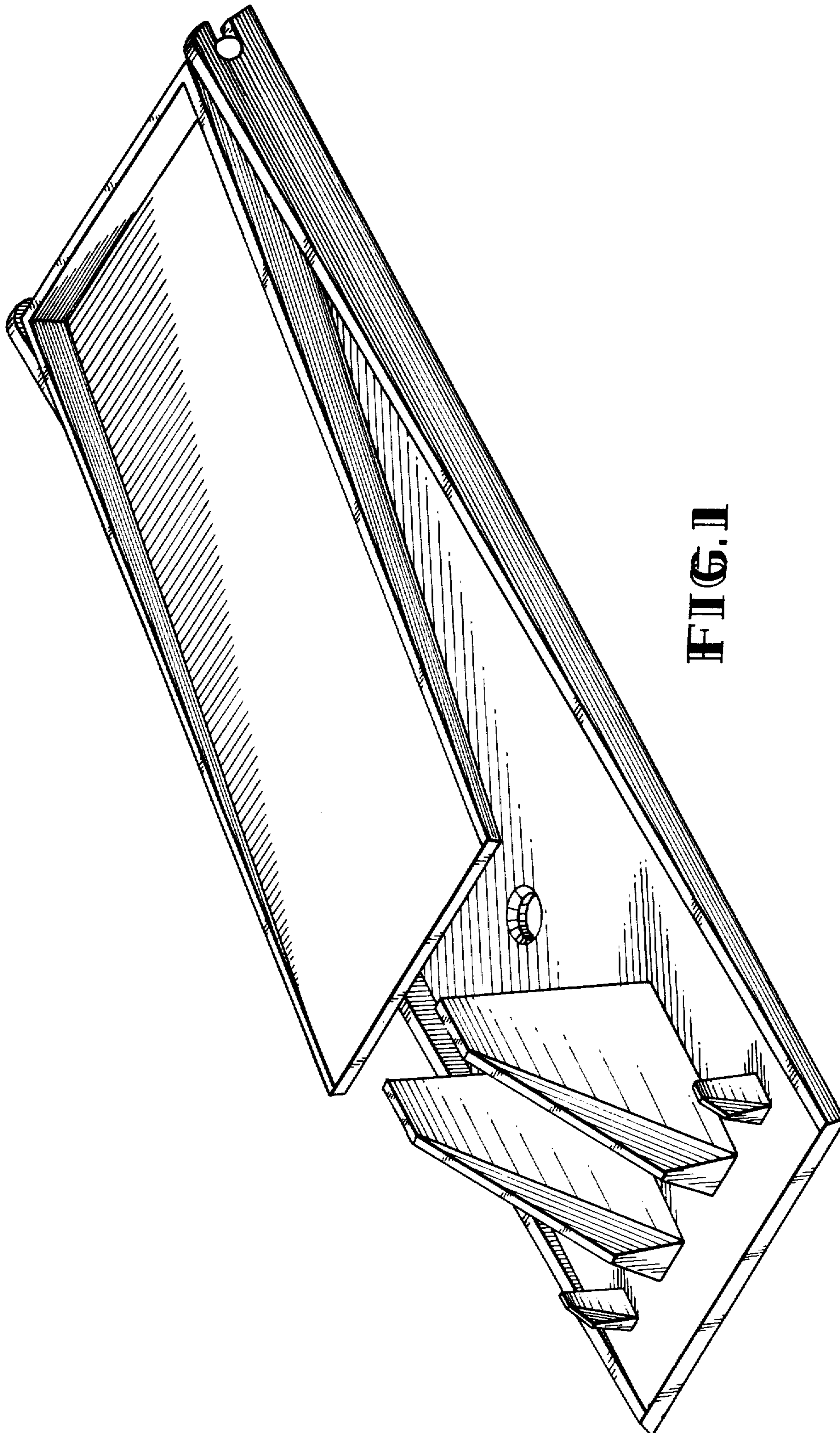


FIG. 1

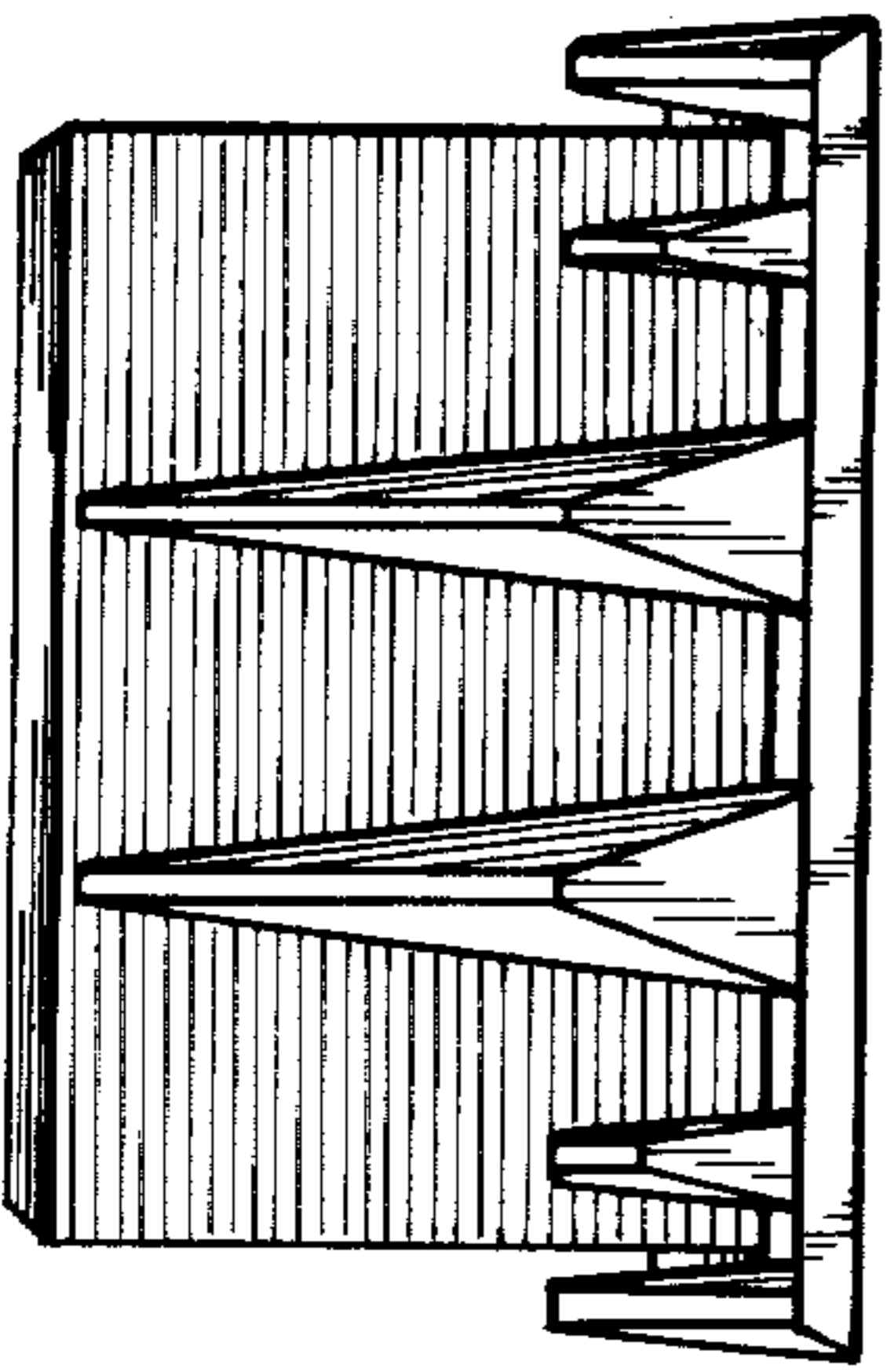


FIG. 2

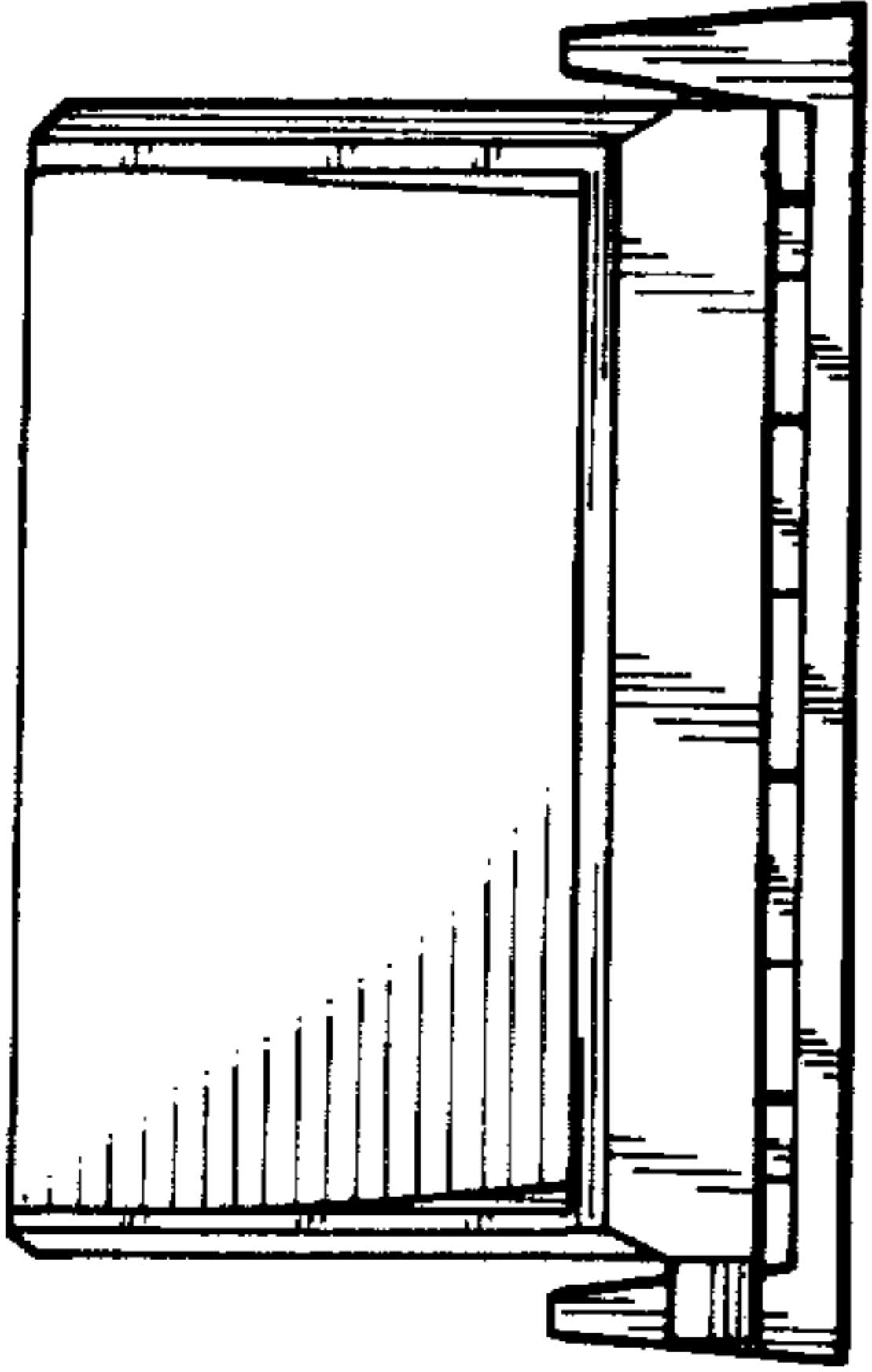


FIG. 3

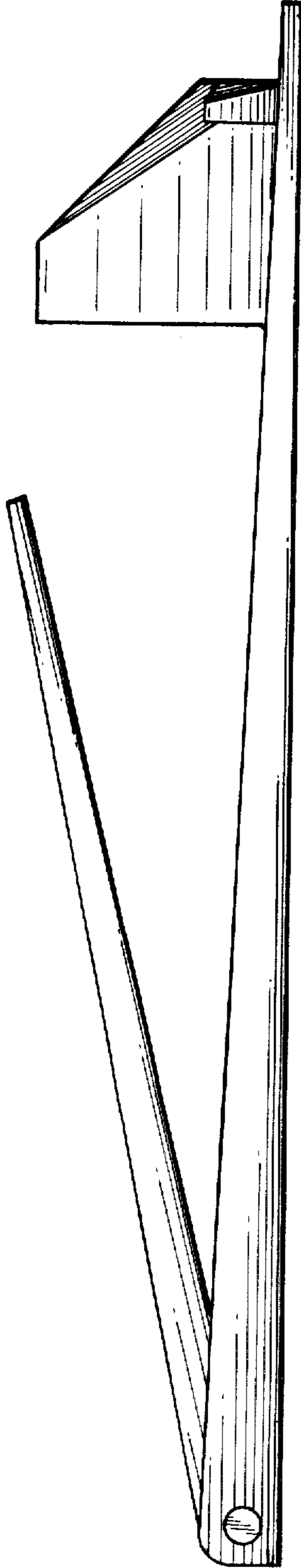


FIG. 4

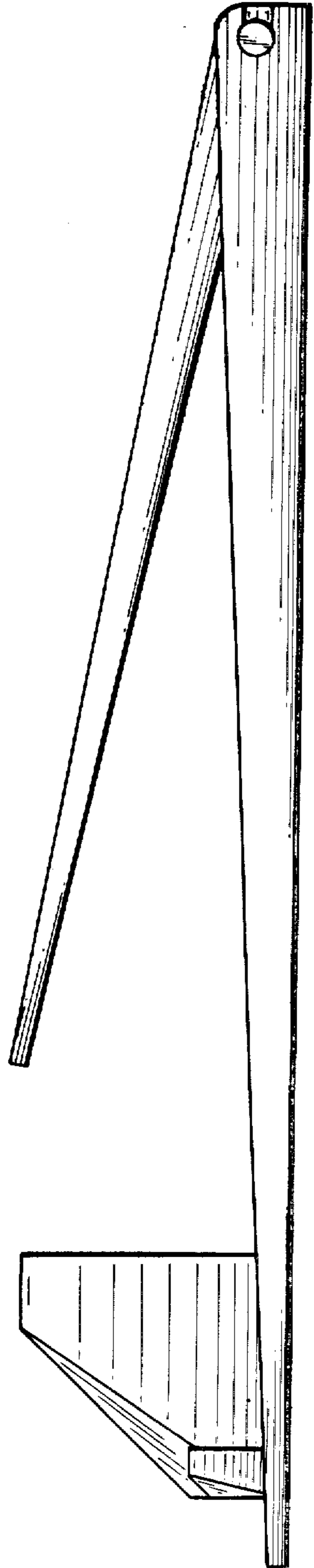


FIG. 5

FIG. 6

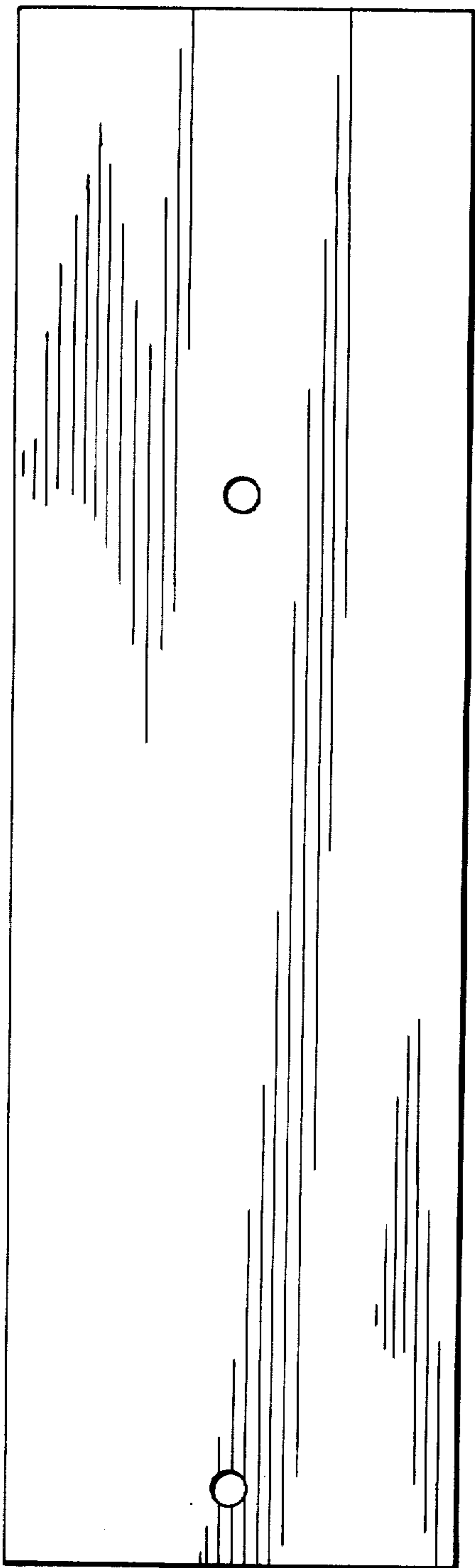


FIG. 7

