

[54] LAMP FOR A VEHICLE

[75] Inventor: Bernard Mauroy, Champs, France

[73] Assignee: Ducellier & CIE, Creteil, France

[**] Term: 14 Years

[21] Appl. No.: 159,696

[22] Filed: Jun. 16, 1980

[51] Int. Cl. D26—06

[52] U.S. Cl. D26/28

[58] Field of Search D26/24, 28, 29, 30, D26/31, 35, 36, 139; 362/61, 235, 250, 307, 310, 311, 341, 362, 418, 419, 427

[56] References Cited

U.S. PATENT DOCUMENTS

D. 229,774	1/1974	Cibie	D26/29
D. 237,648	11/1975	Cibie	D26/28
D. 258,692	3/1981	Ozeki	D26/28
3,896,302	7/1975	Whitney	362/310

Primary Examiner—Susan J. Lucas
Attorney, Agent, or Firm—Holman & Stern

[57] CLAIM

The ornamental design for a lamp for a vehicle, as shown and described.

DESCRIPTION

FIG. 1 is a front elevational view of a lamp for a vehicle, embodying my new design;
FIG. 2 is a rear elevational view thereof;
FIG. 3 is a side elevational view thereof;
FIG. 4 is a top plan view thereof;
FIG. 5 is an underneath plan view thereof; and
FIG. 6 is a perspective view thereof.

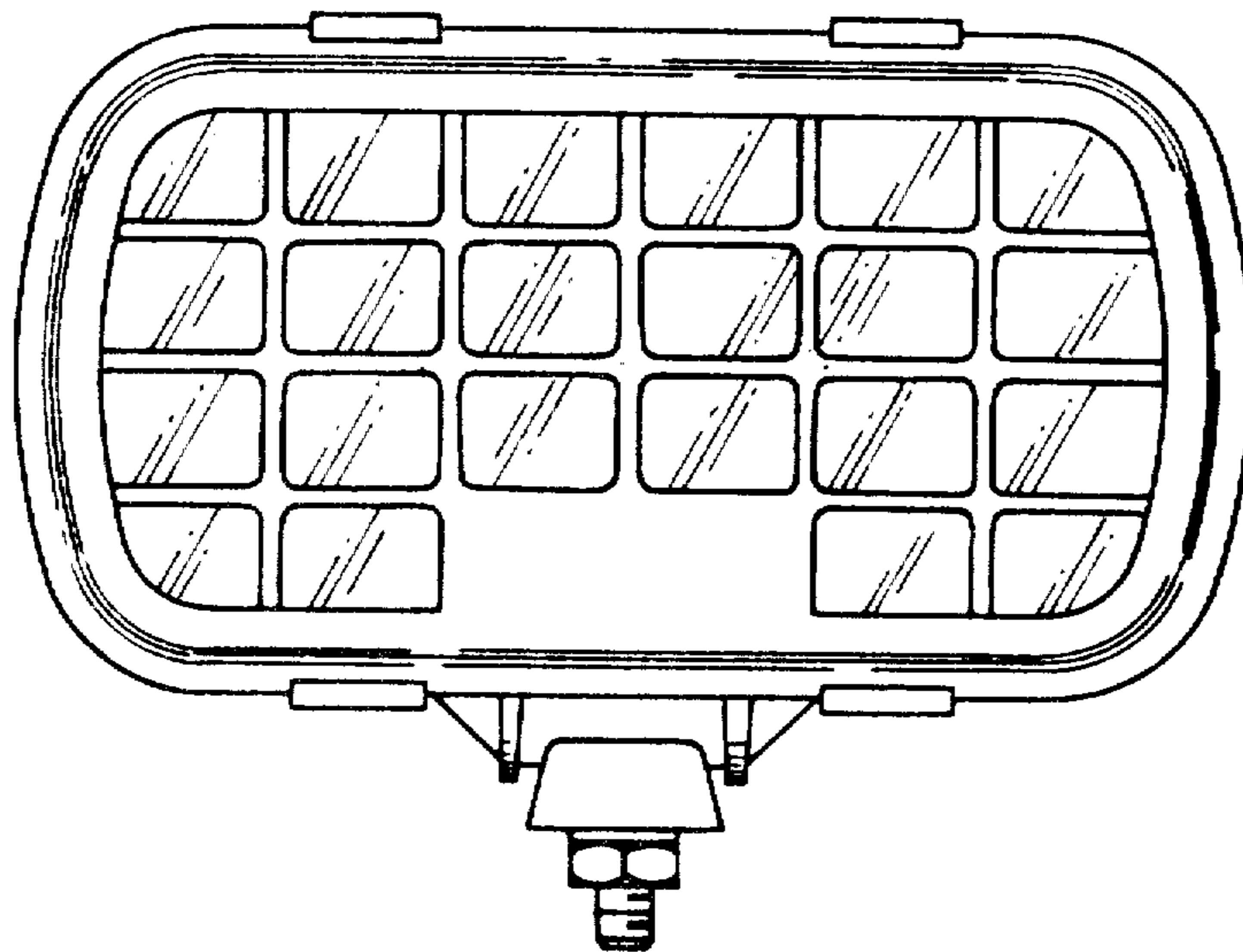


FIG.1.

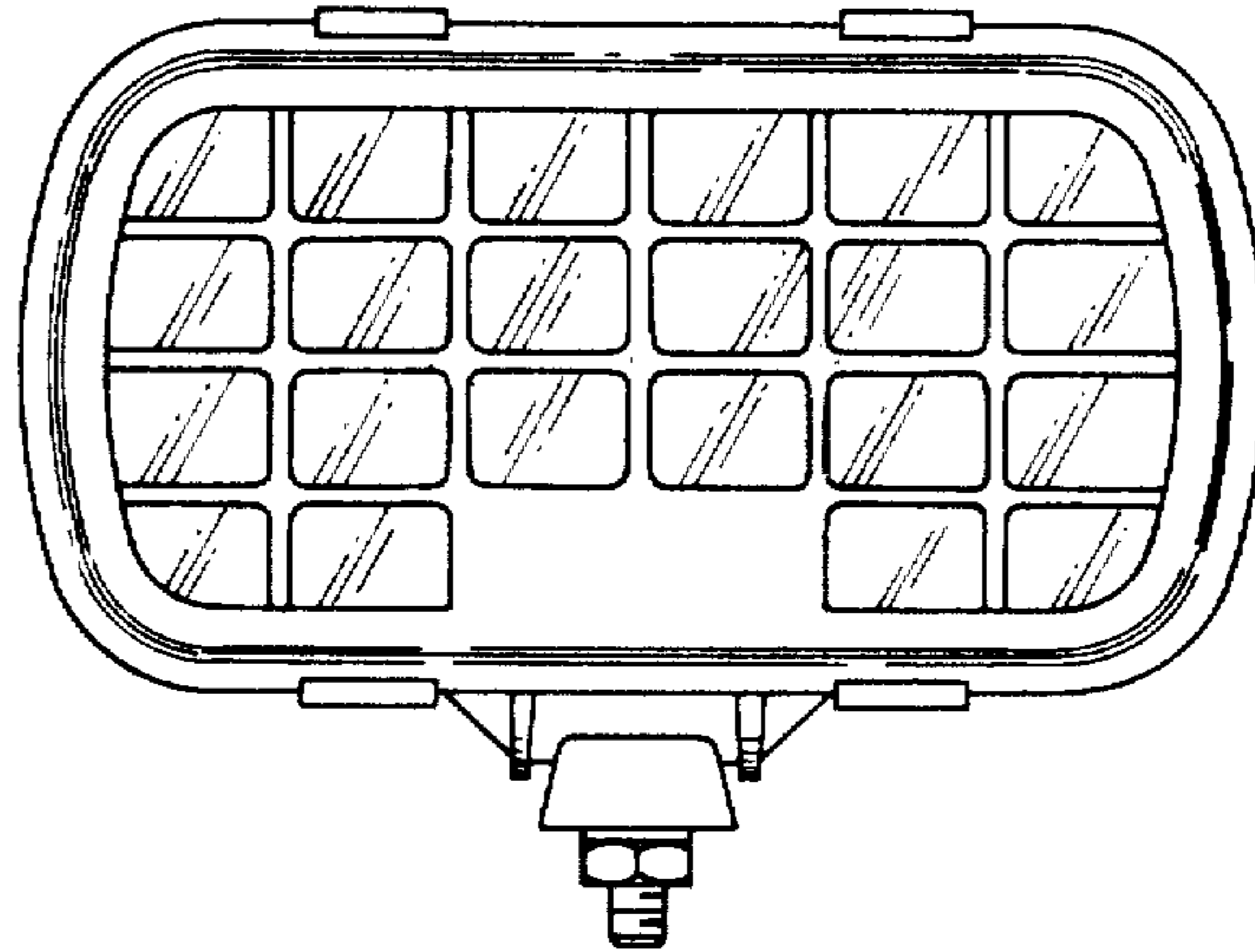


FIG.2.

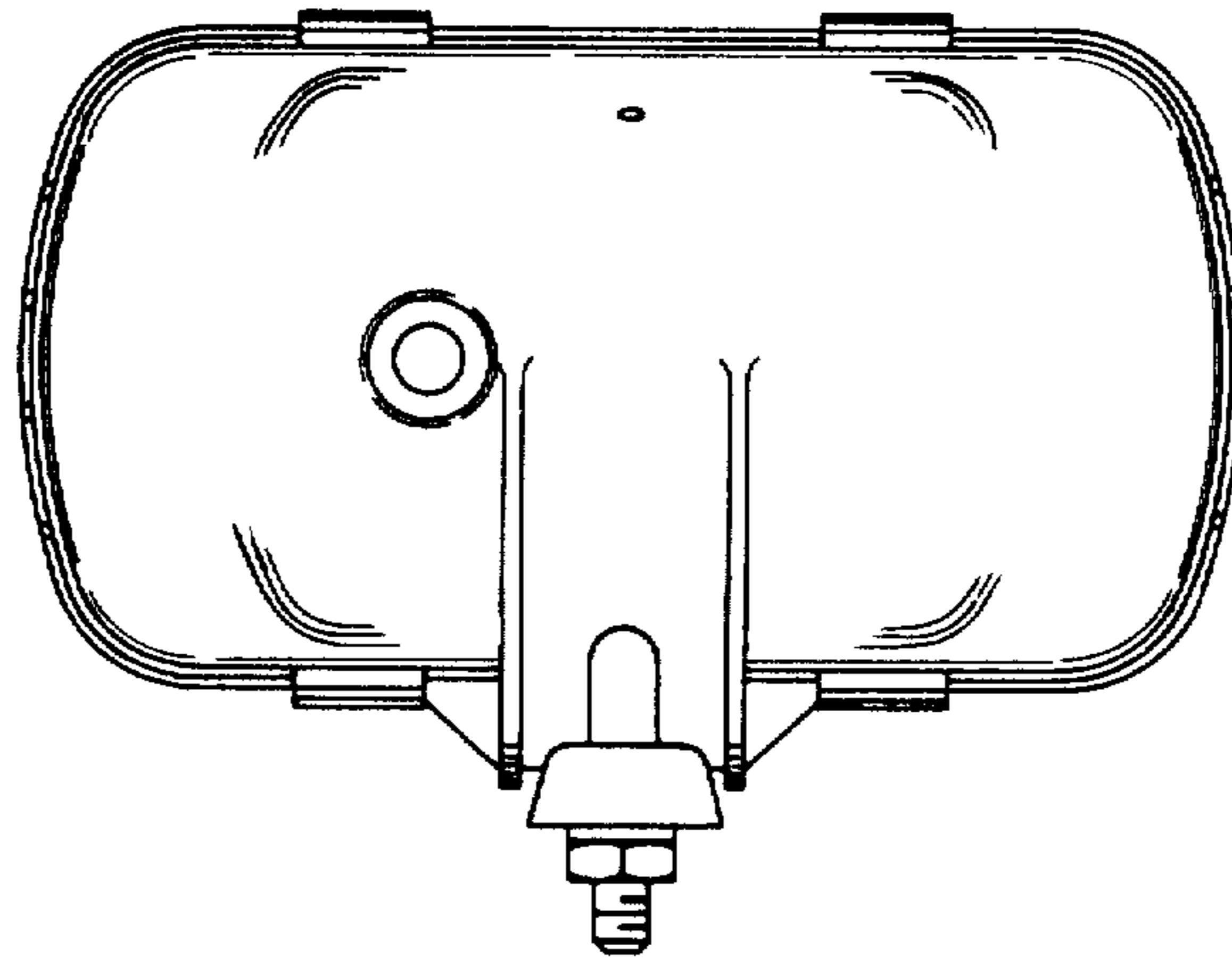


FIG.3.

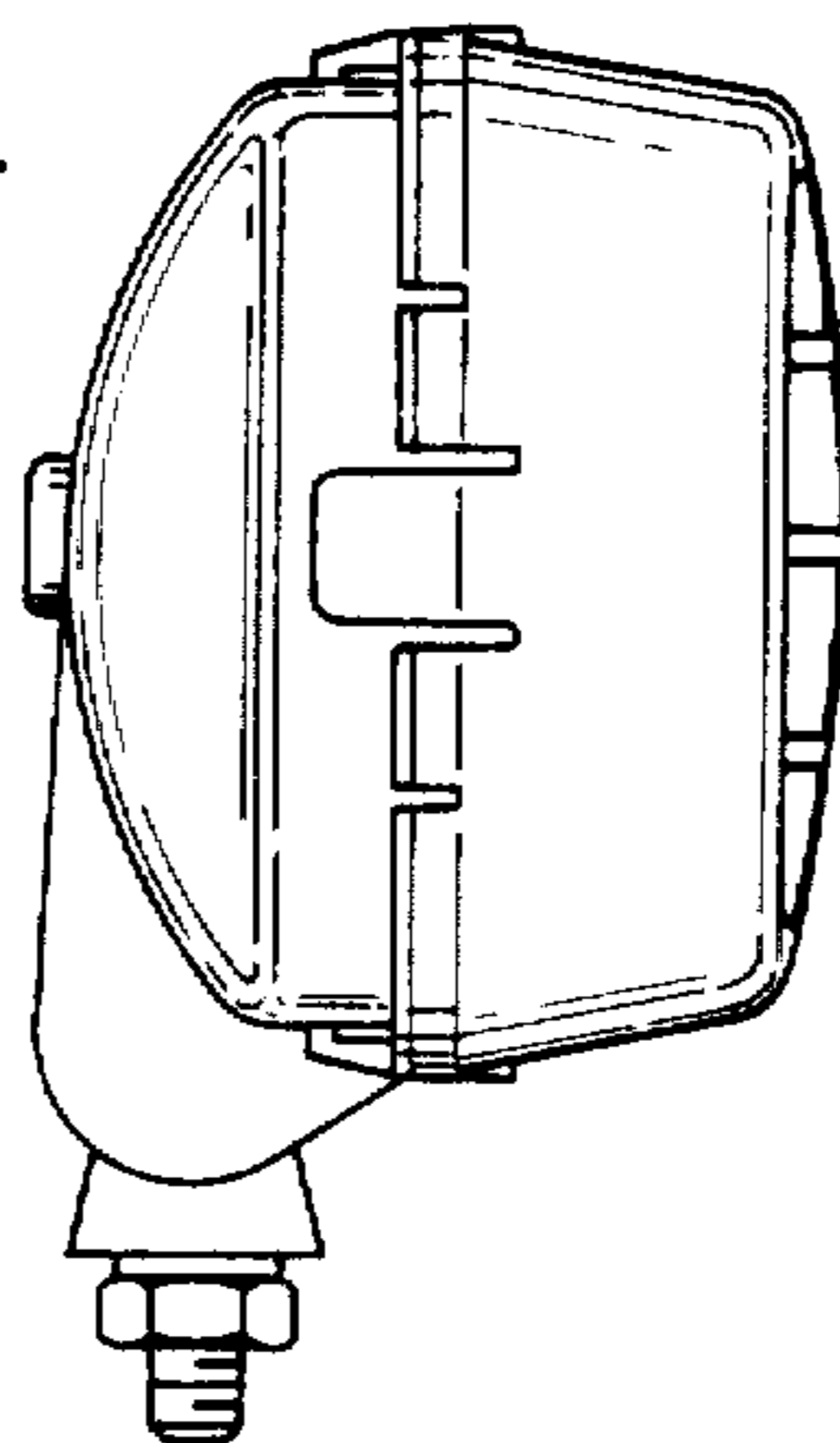


FIG. 4.

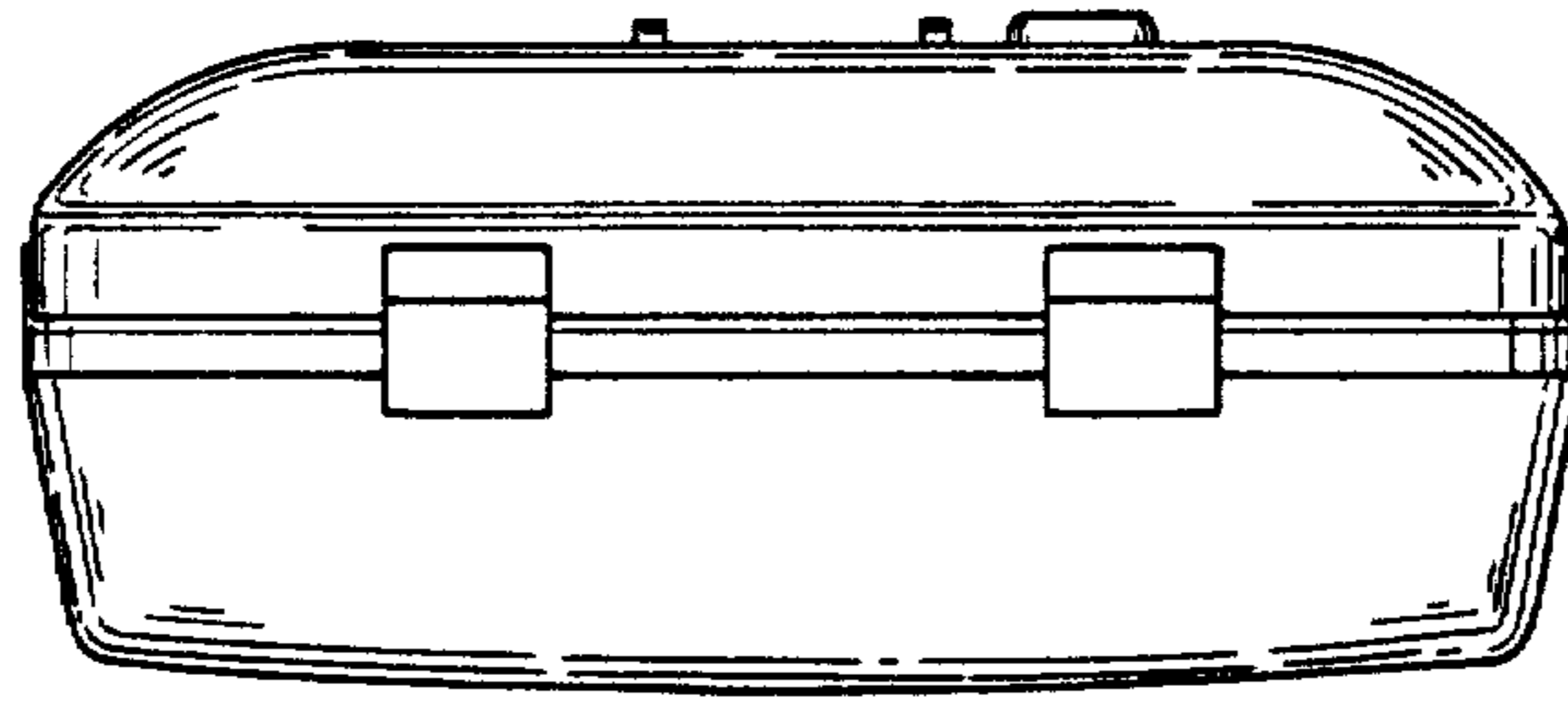


FIG. 5.

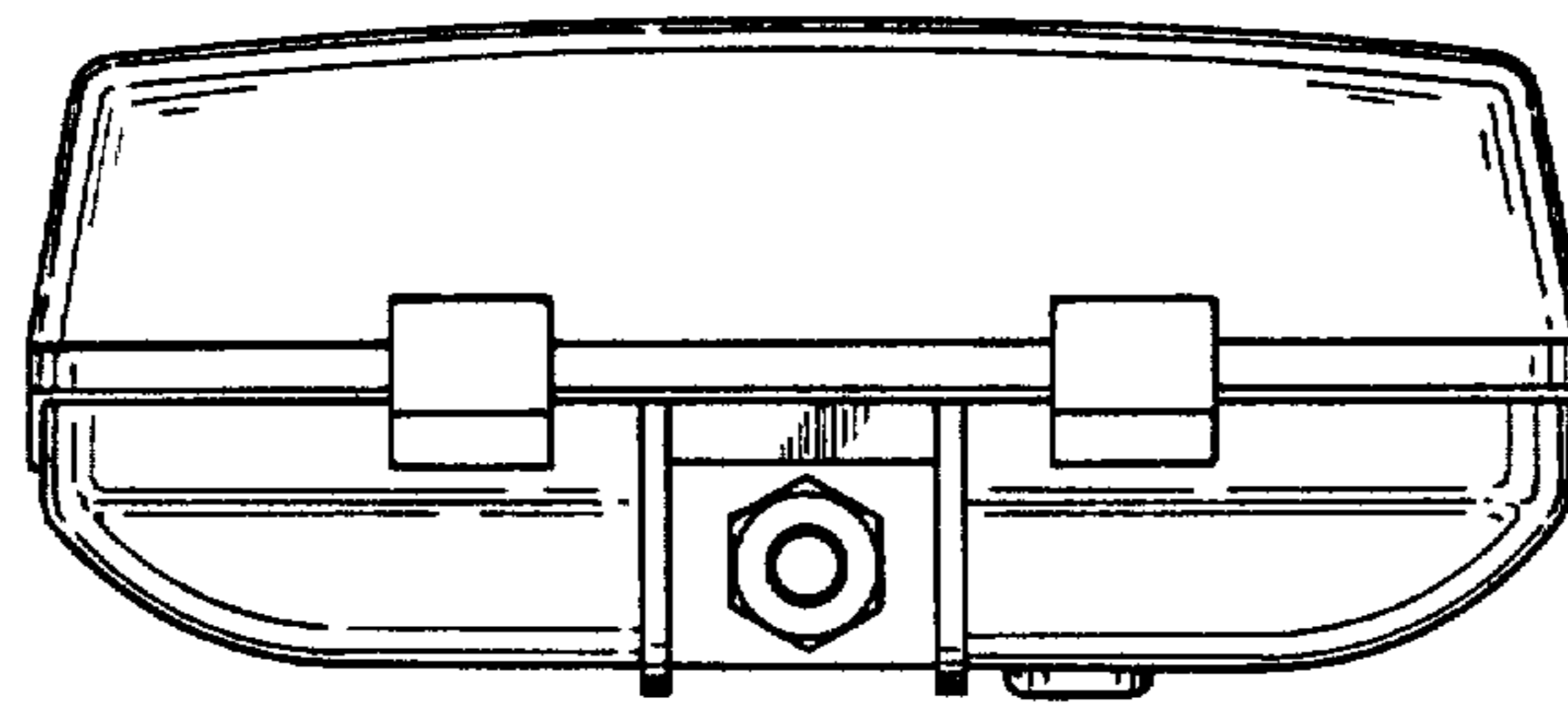


FIG. 6.

