

[54] **NEBULIZER CUP**

[75] Inventors: **Edward van Amerongen, Wilmette;**
Frank Cammarata, III, Palatine;
Robert A. Virag, Cary, all of Ill.

[73] Assignee: **Baxter Travenol Laboratories, Inc.,**
Deerfield, Ill.

[**] Term: **14 Years**

[21] Appl. No.: **179,721**

[22] Filed: **Aug. 20, 1980**

[51] Int. Cl. **D9—01; D24—01**

[52] U.S. Cl. **D24/62; D23/1;**
D24/17

[58] Field of Search **128/200.14, 200.16;**
D24/62, 17; D23/1; 261/1; 239/308

[56] **References Cited**

U.S. PATENT DOCUMENTS

Re. 30,046	7/1979	van Amerongen	239/338
D. 192,403	3/1962	Corbett et al.	D24/62
D. 214,605	7/1969	Best, Jr.	D23/1
D. 214,606	7/1969	Best, Jr.	D23/1
D. 239,879	5/1976	Komendowski	D24/62
D. 239,880	5/1976	Komendowski	D24/62
D. 242,176	11/1976	Levine	D24/62
2,414,918	1/1947	Abramson	167/58
2,847,248	8/1958	Schmitt et al.	299/88.5
2,951,644	9/1960	Mahon et al.	239/308
3,387,607	6/1968	Gauthier et al.	128/173
3,490,697	1/1970	Best, Jr.	239/102

3,652,015	3/1972	Beall	239/338
3,771,721	11/1973	van Amerongen	239/338
3,804,280	4/1974	van Amerongen et al.	215/1 C
3,806,100	4/1974	Cornett et al.	261/1
3,807,713	4/1974	Cornett et al.	261/122
3,861,386	1/1975	Harris et al.	128/200.16
3,892,235	7/1975	van Amerongen et al.	...	128/200.16
3,903,216	9/1975	Allan et al.	261/78 A
3,903,883	9/1975	Pecina et al.	128/193
3,913,843	10/1975	Cambio, Jr.	239/338
3,915,386	10/1975	Vora	239/338
4,036,919	7/1977	Komendowski et al.	261/122
4,061,698	12/1977	Thornwald	261/78 A
4,100,235	7/1978	Thornwald	261/142
4,113,809	9/1978	Abair et al.	128/200.16
4,150,071	4/1979	Pecina	261/78 A
4,159,803	7/1979	Cameto et al.	239/102
4,200,093	4/1980	Camp	128/200.4

Primary Examiner—Bernard Ansher
Attorney, Agent, or Firm—John A. Caruso; Paul C. Flattery; Gary McFarron

[57] **CLAIM**

The ornamental design for a nebulizer cup, as shown.

DESCRIPTION

FIG. 1 is a side elevational view of one side of a nebulizer cup embodying the new design;
 FIG. 2 is a front elevational view thereof;
 FIG. 3 is a side elevational view of the other side thereof;
 FIG. 4 is a rear elevational view thereof;
 FIG. 5 is a top plan view thereof; and
 FIG. 6 is a bottom plan view thereof.

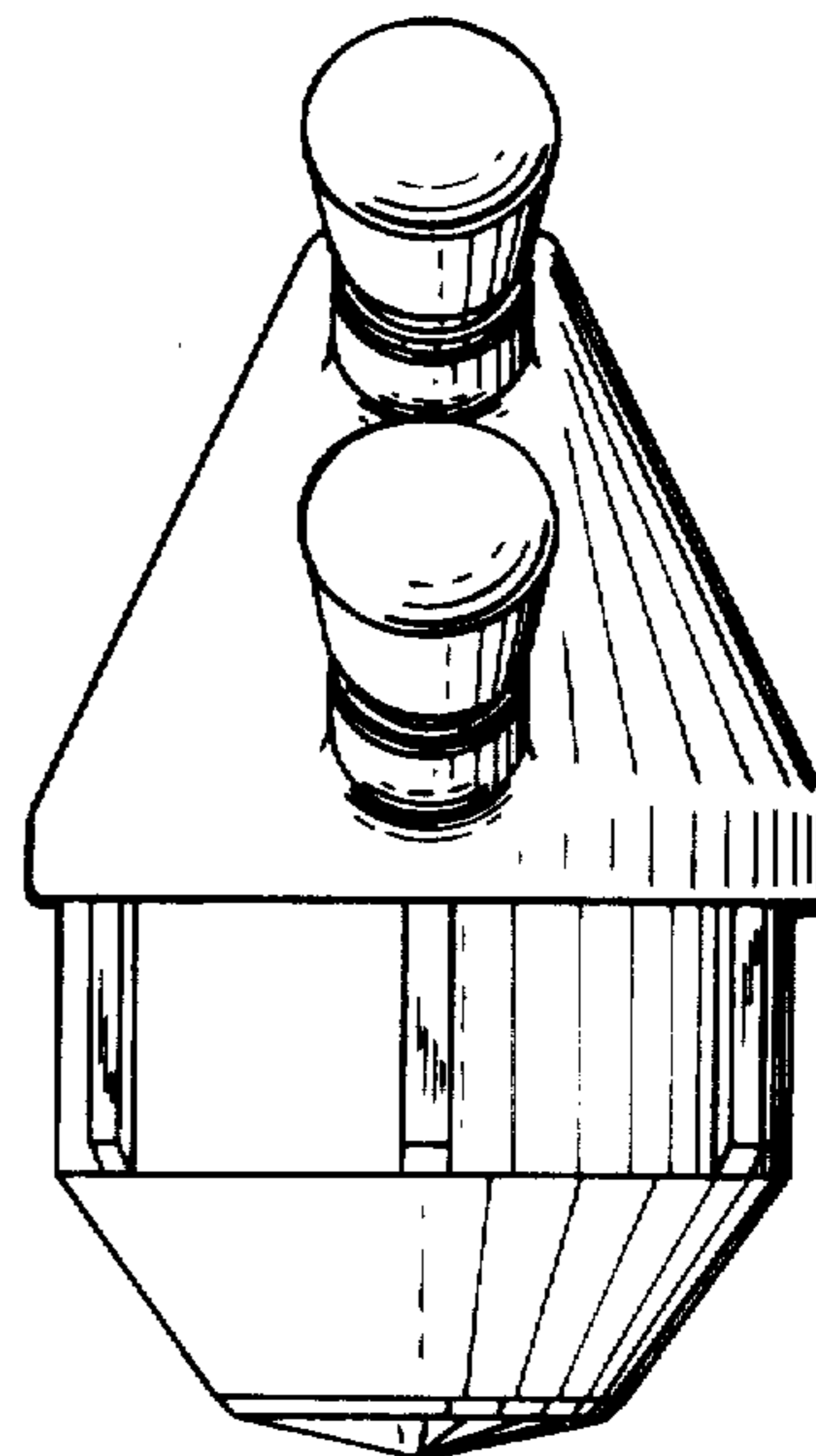
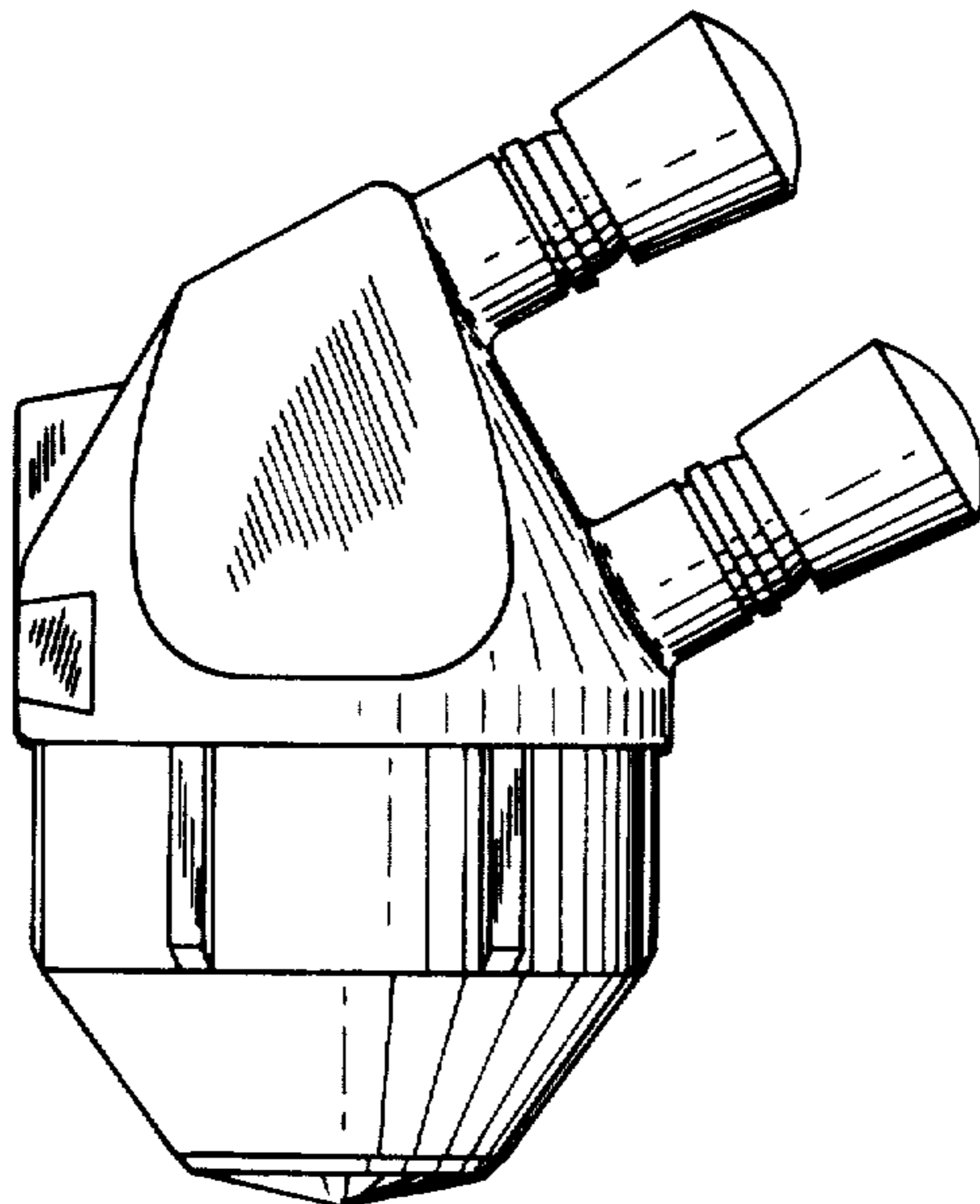


Fig. 1

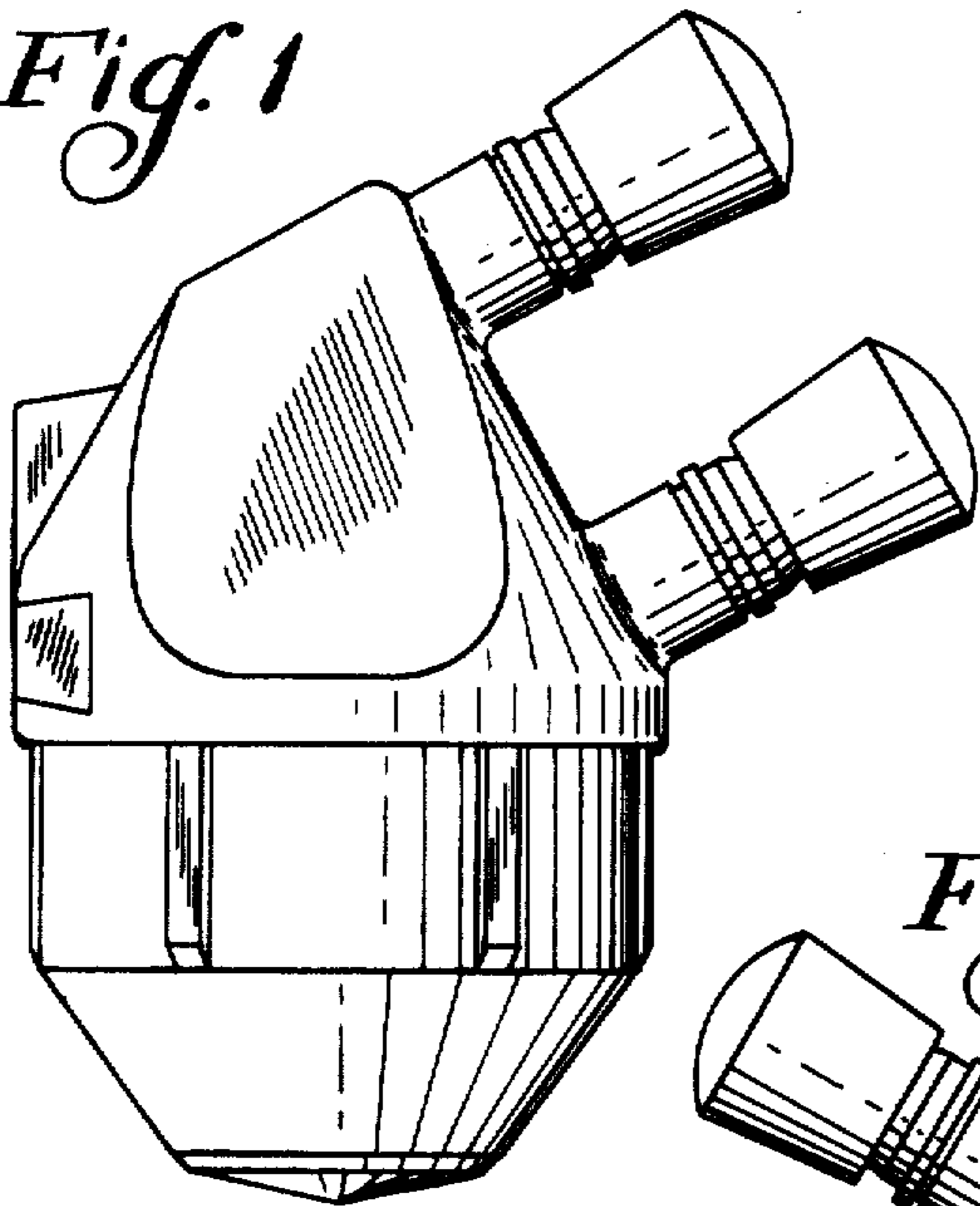


Fig. 2

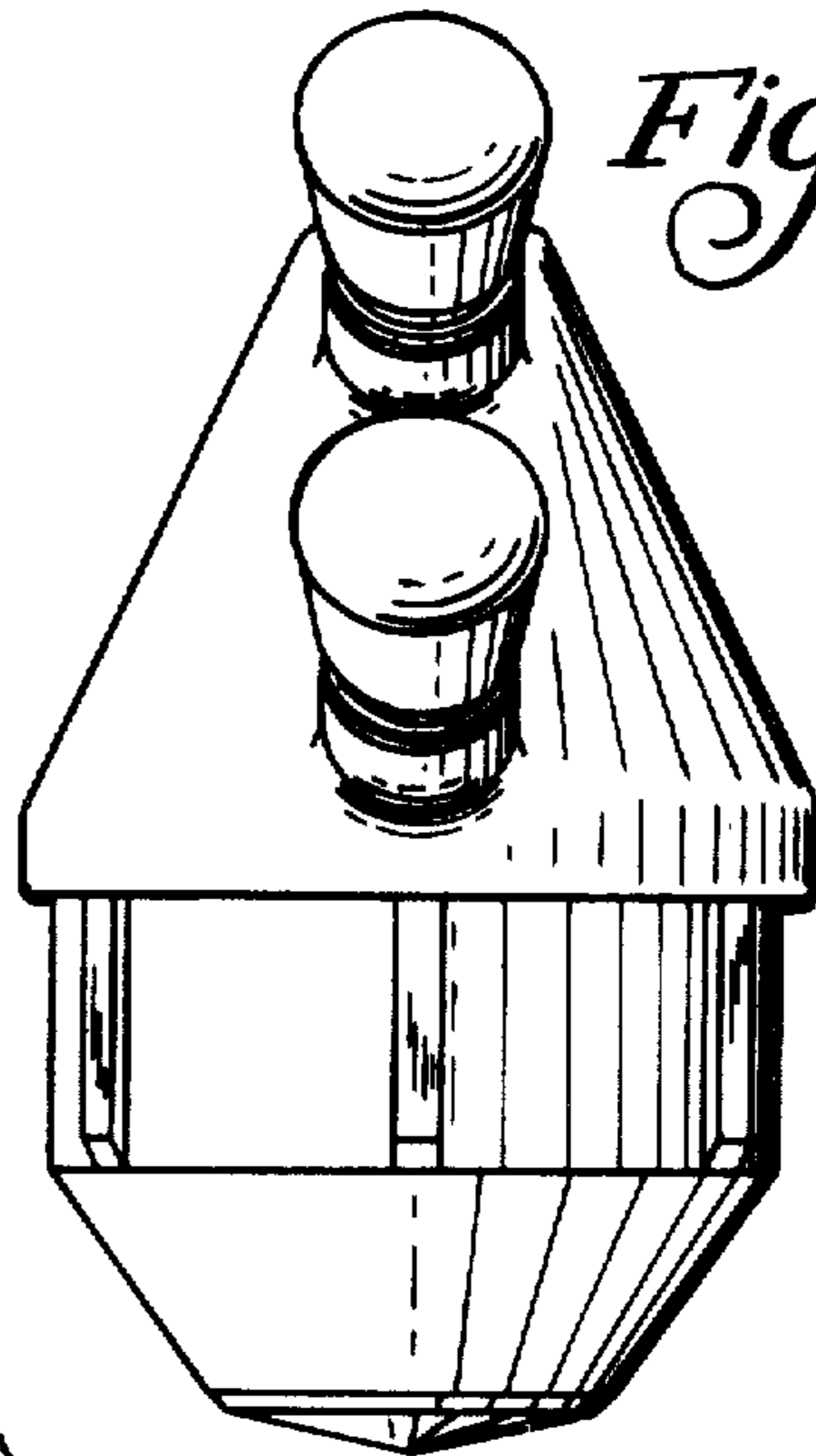


Fig. 3

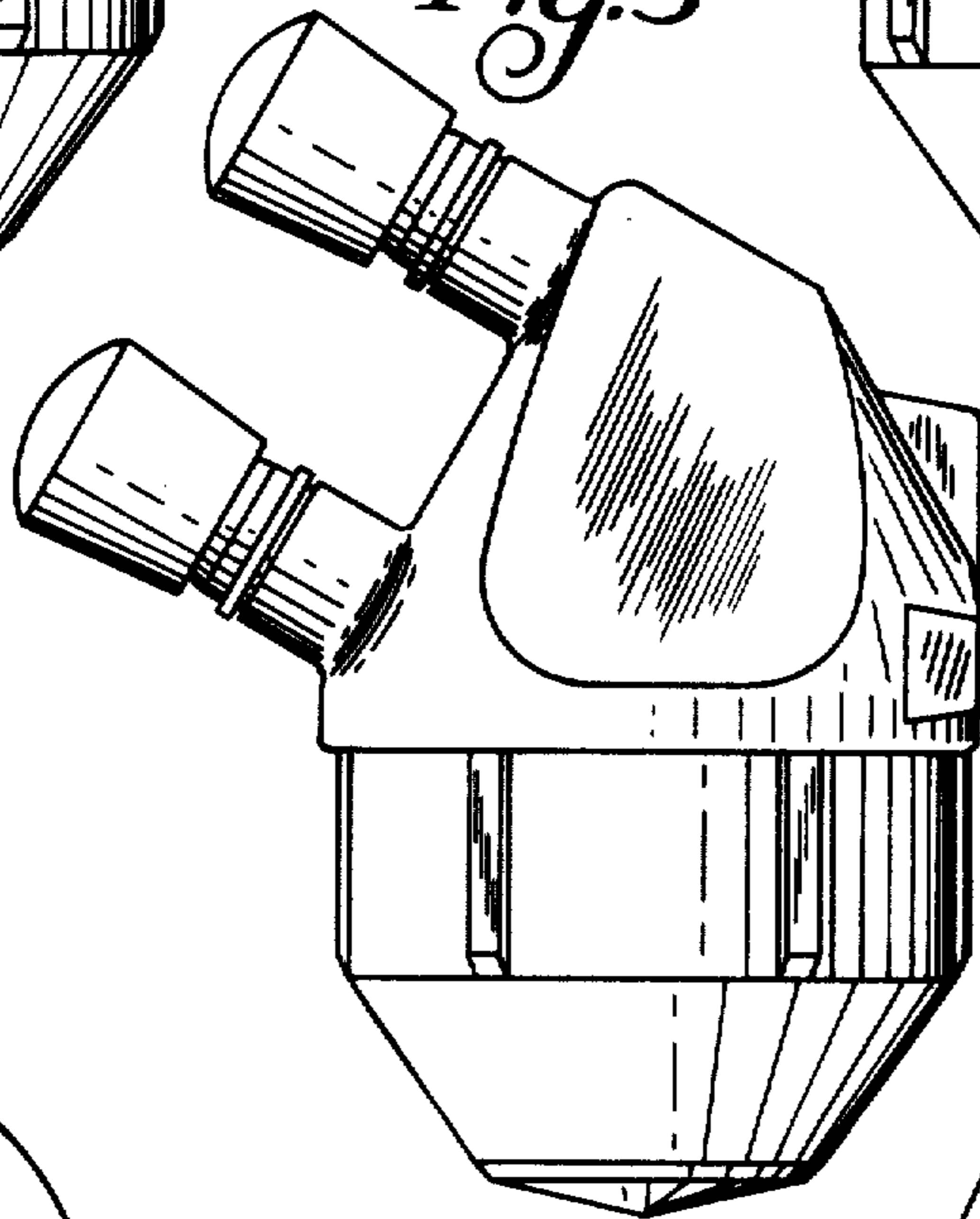


Fig. 5

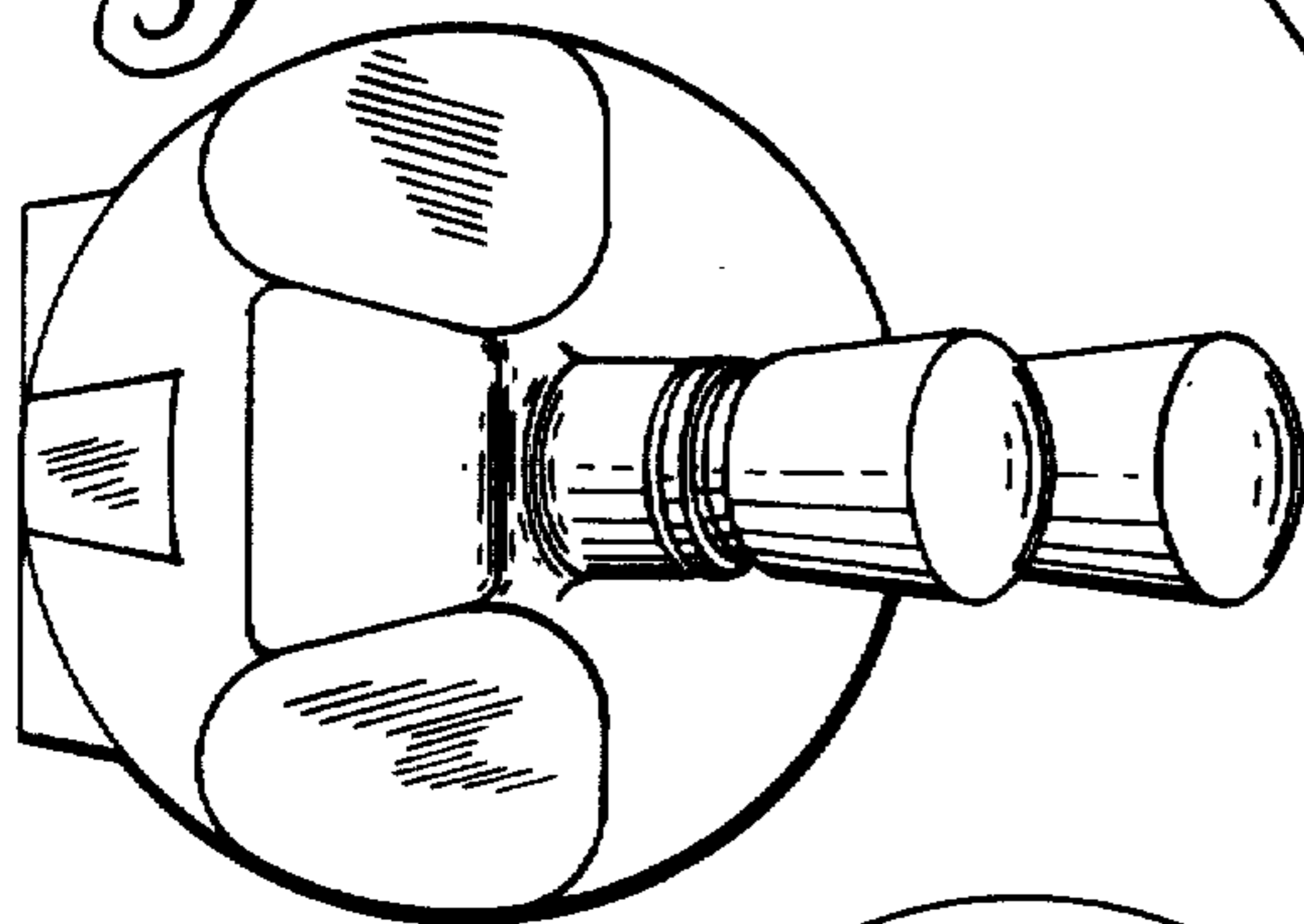


Fig. 4

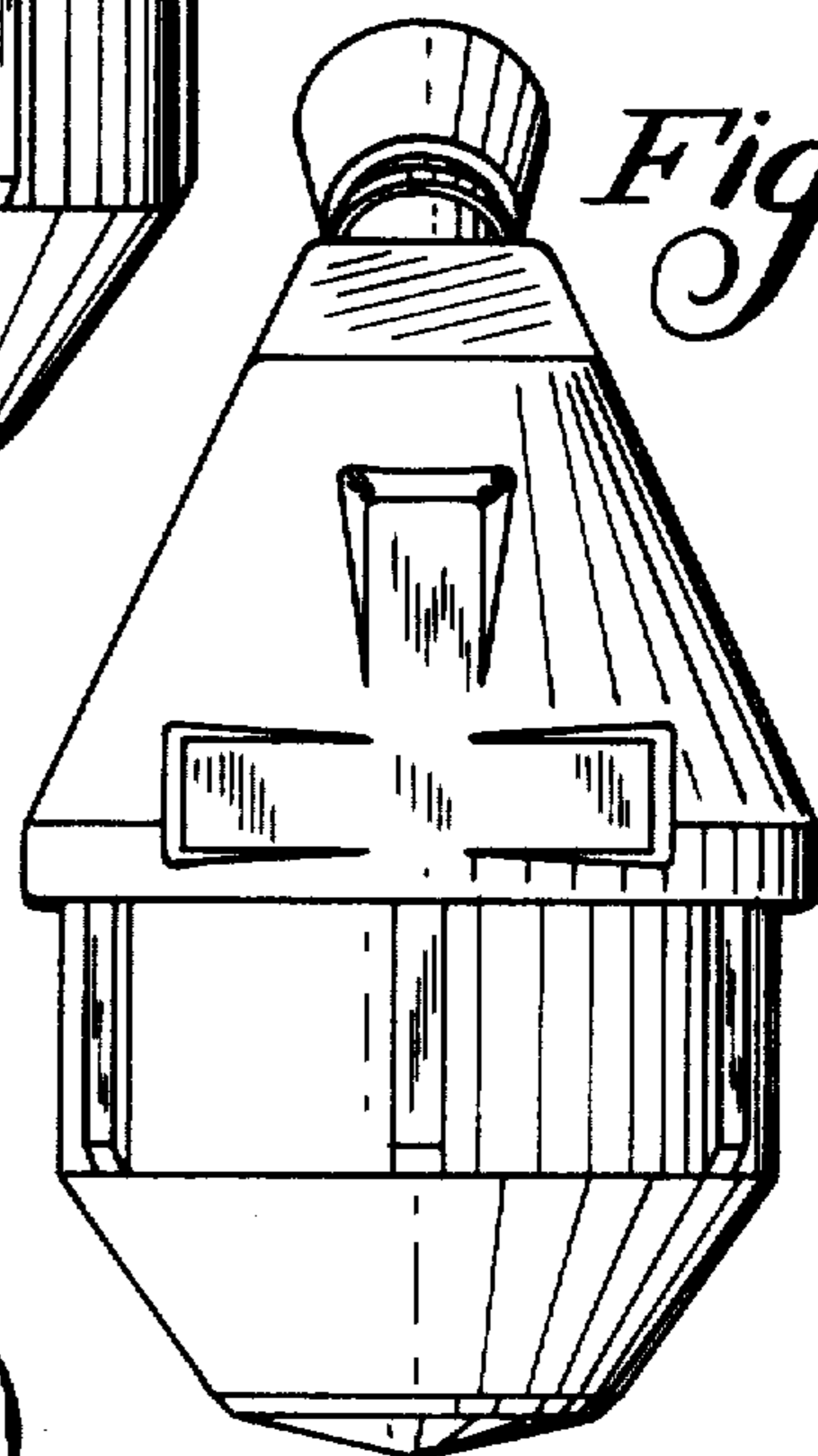


Fig. 6

