

[54] **RADIANT HEATER**

[75] **Inventor:** Jerry P. Gronwick, Park Ridge, Ill.

[73] **Assignee:** Sunbeam Corporation, Chicago, Ill.

[**] **Term:** 14 Years

[21] **Appl. No.:** 219,178

[22] **Filed:** Dec. 22, 1980

[51] **Int. Cl.** D23—03

[52] **U.S. Cl.** D23/120

[58] **Field of Search** D23/92, 93, 119-124;
219/342, 343, 347, 354

[56] **References Cited**

U.S. PATENT DOCUMENTS

D. 90,741	9/1933	Twombly	D23/123
D. 153,572	4/1949	Wilber et al.	D23/120
D. 225,851	1/1973	Cowan	D23/122
D. 259,892	7/1981	Boekamp	D23/122
D. 261,923	11/1981	Nunez et al.	D23/123

OTHER PUBLICATIONS

Printed matter entitled: "Jet-Propelled Heater".
Printed matter entitled: "New Heaters Hit Market".
Printed matter entitled: "NESCO Two-Way-Action".
Printed matter entitled: "Circa 1925".
Printed matter of: Boekamp, Inc.

Primary Examiner—Catherine E. Kemper
Attorney, Agent, or Firm—George R. Clark; Neil M. Rose; Clifford A. Dean

[57] **CLAIM**

The ornamental design for a radiant heater, as shown and described.

DESCRIPTION

FIG. 1 is a top front perspective view of a radiant heater, showing my new design;
FIG. 2 is a top plan view thereof, shown on a larger scale;
FIG. 3 is a bottom plan view thereof;
FIG. 4 is a rear elevational view thereof;
FIG. 5 is a front elevational view thereof;
FIG. 6 is a right side elevational view, the left side being a mirror image thereof.

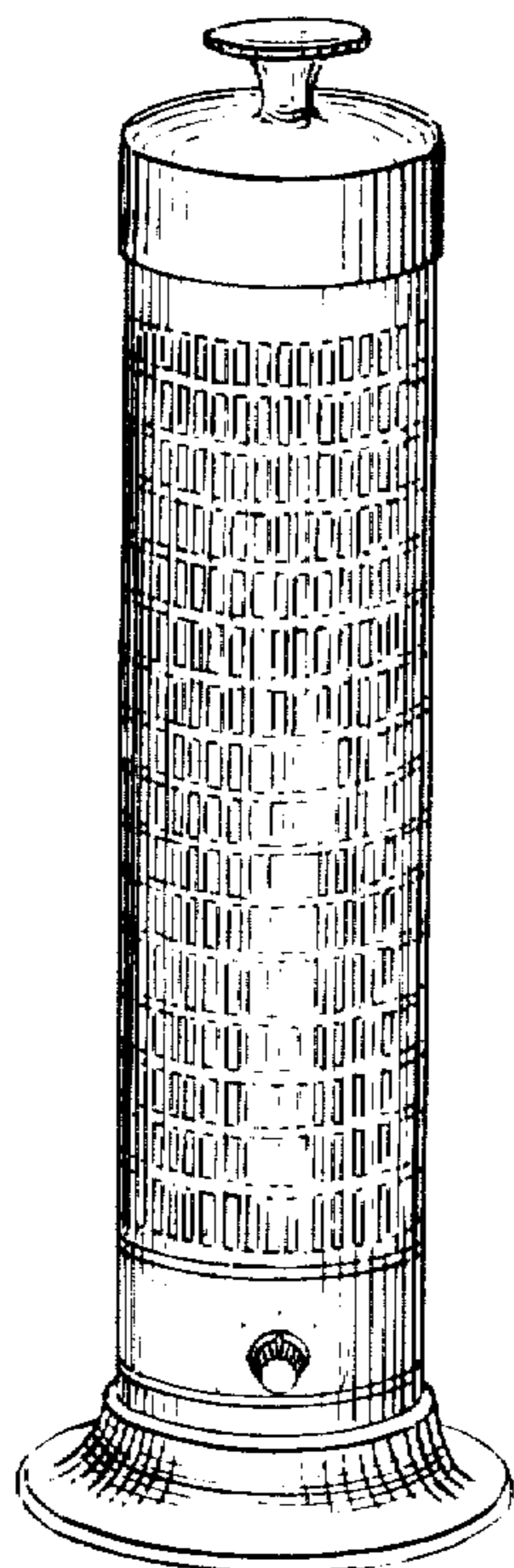


FIG. 1

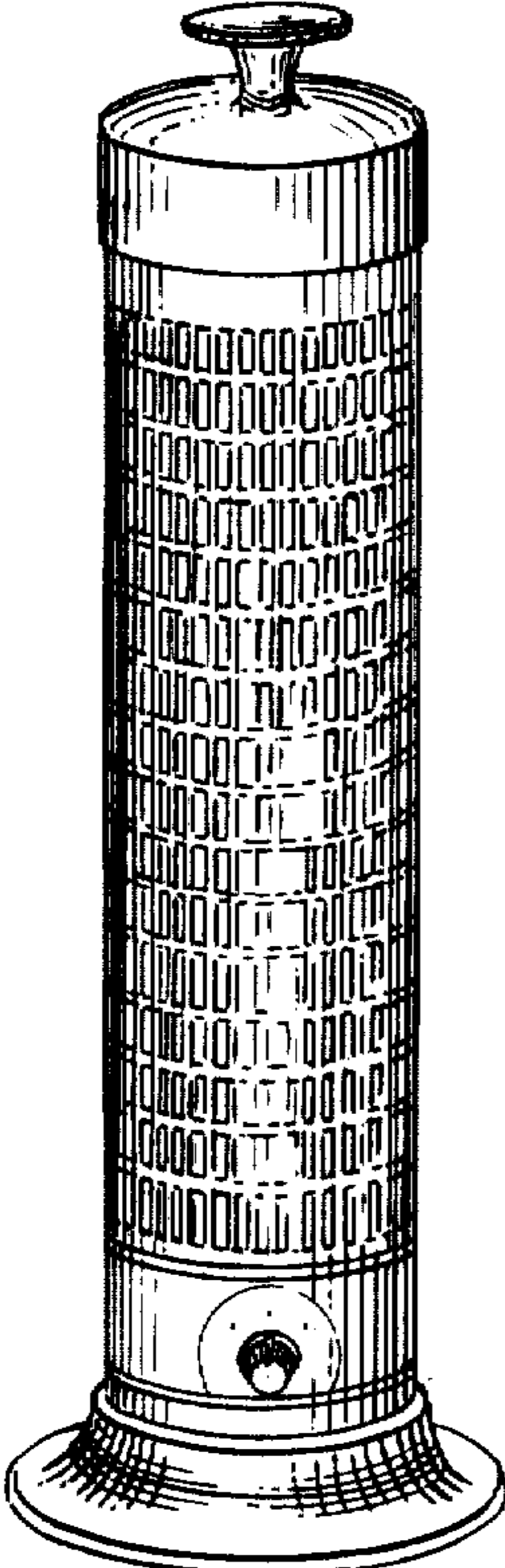


FIG. 2

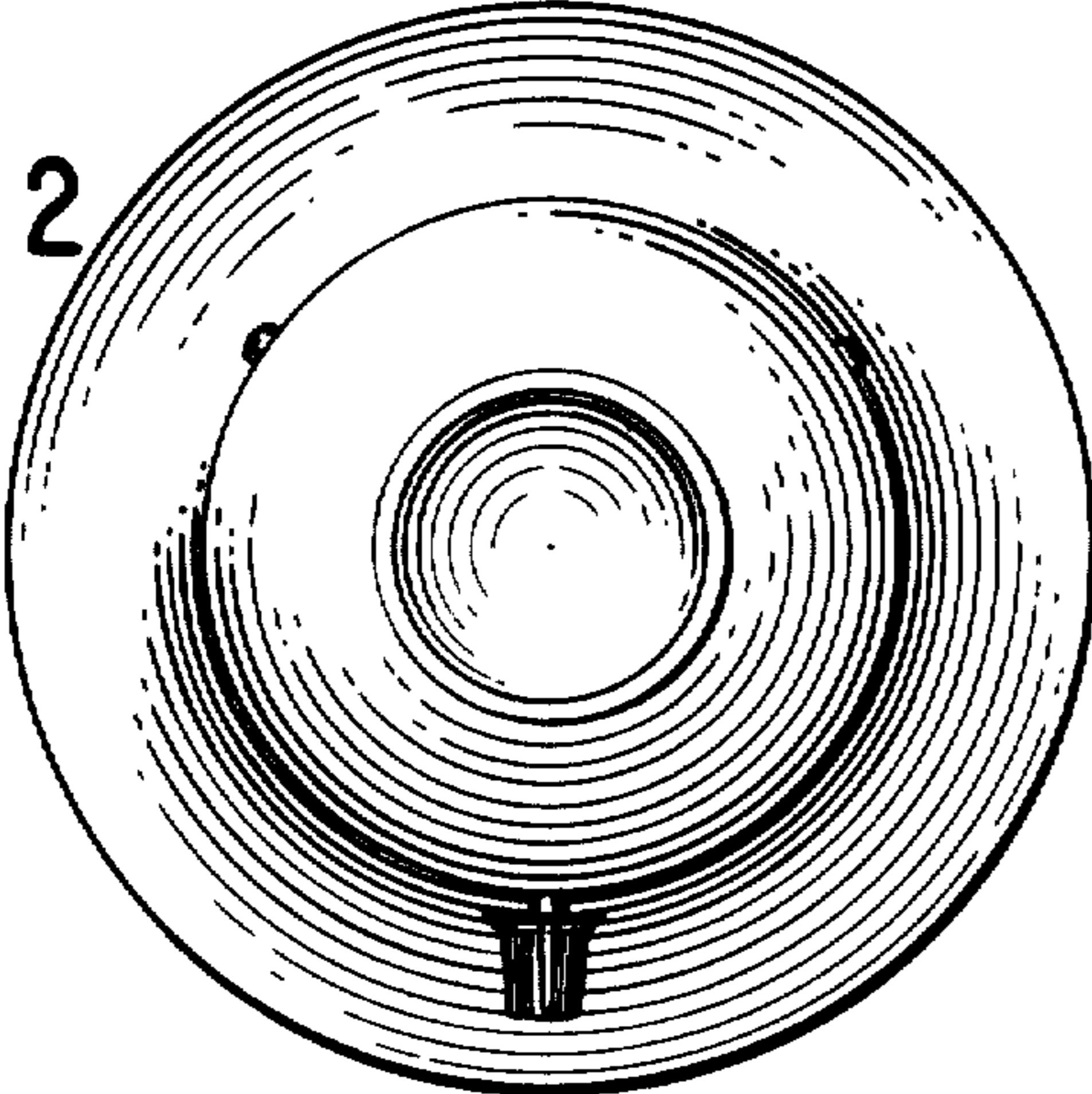


FIG. 3

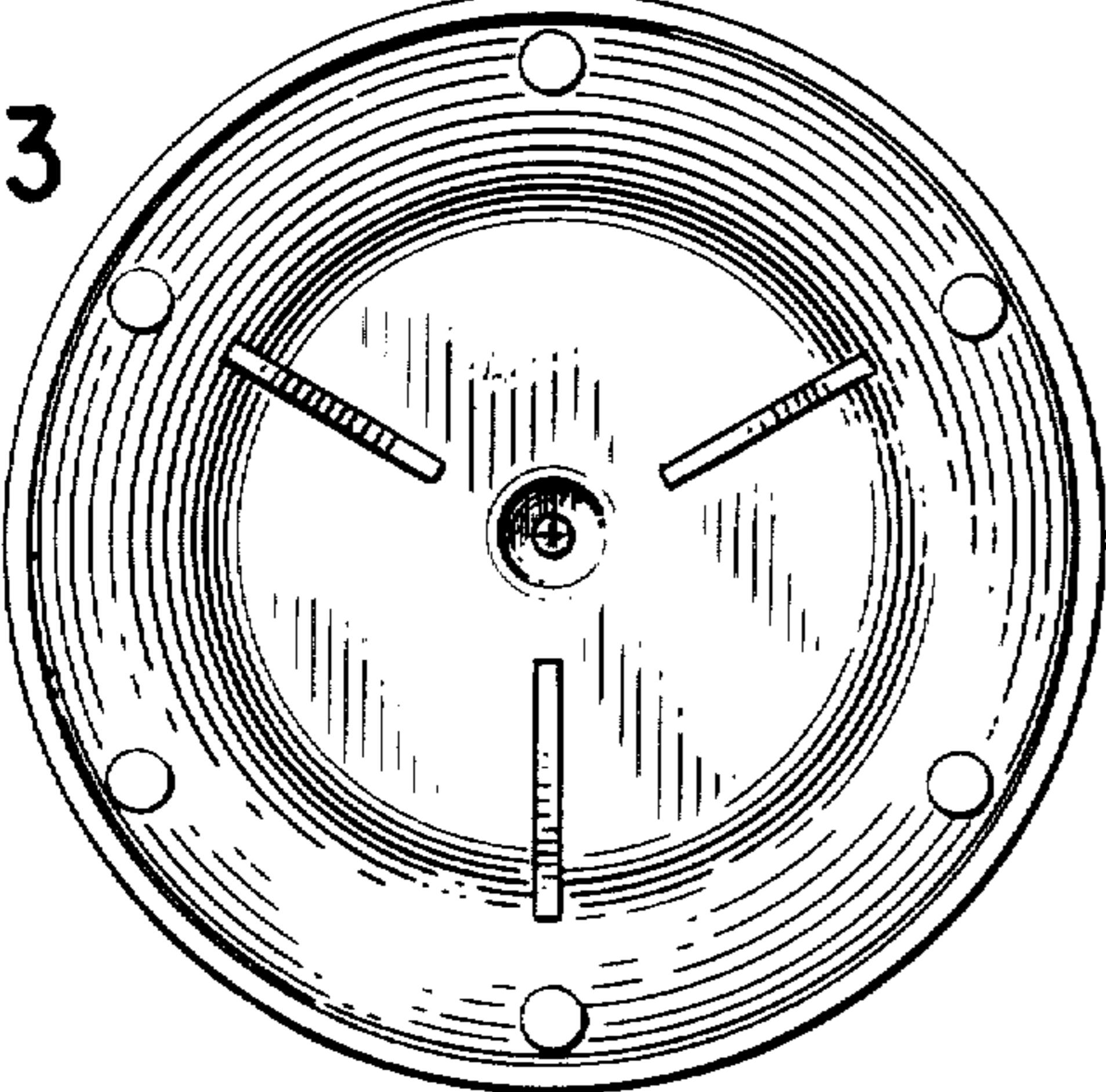


FIG. 4

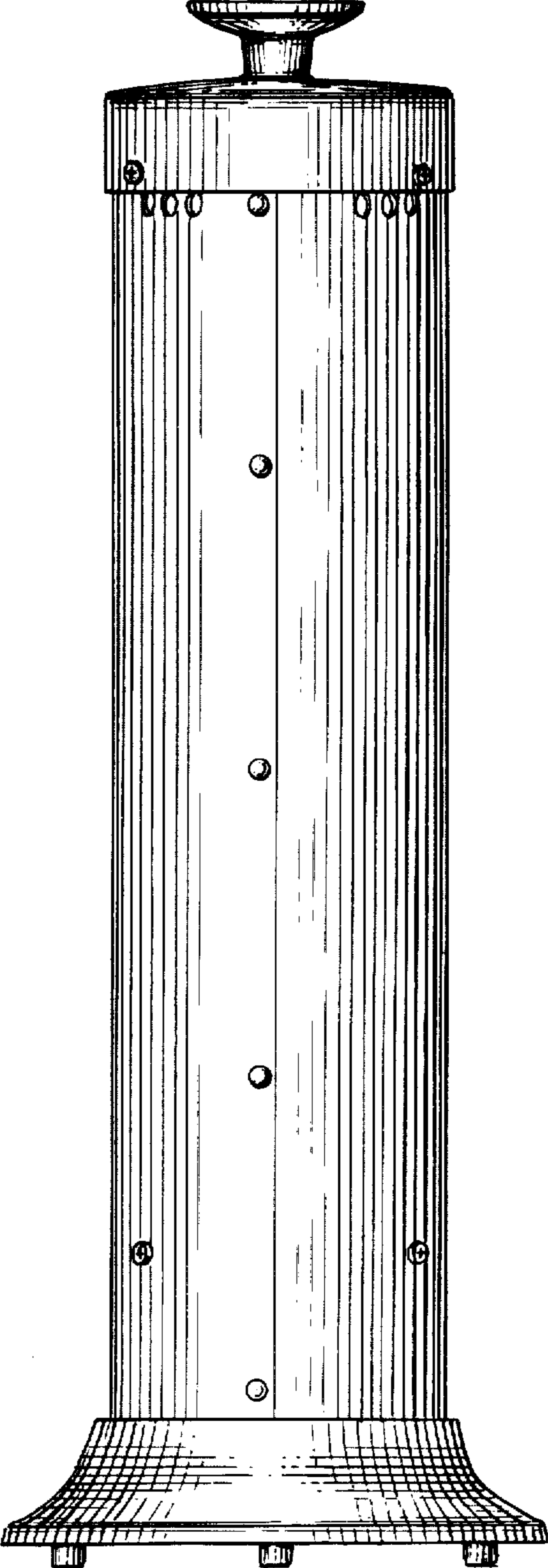


FIG. 5

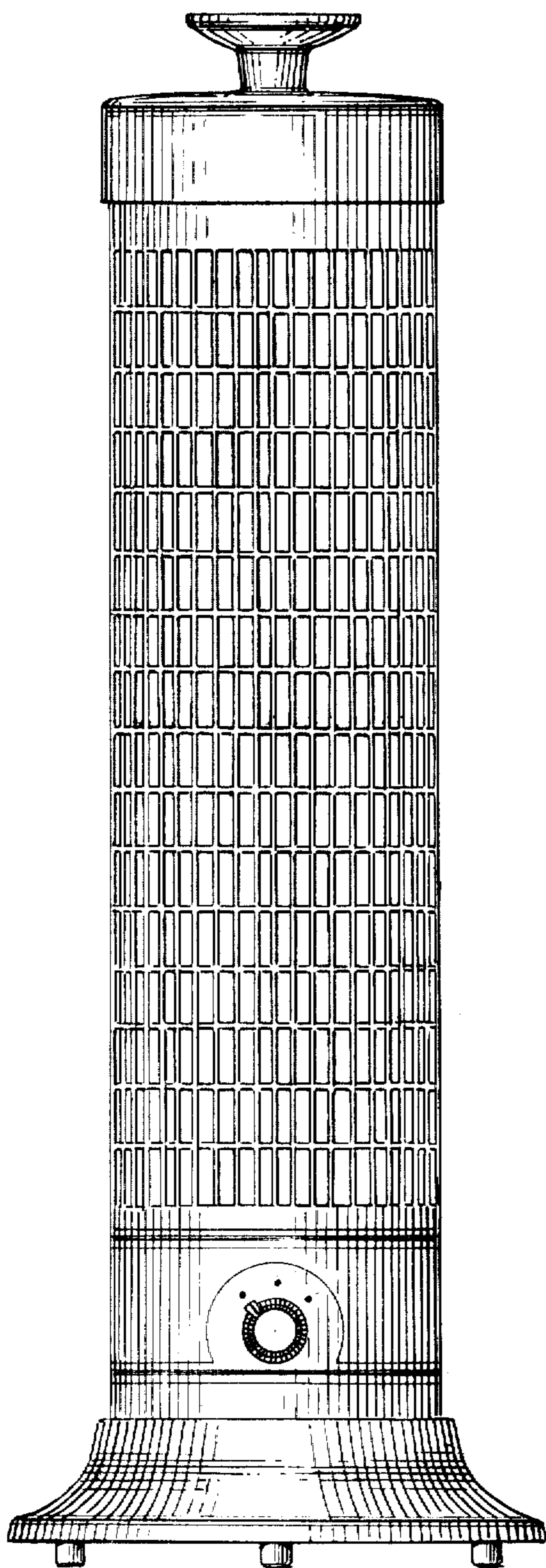


FIG. 6

