

[54] LIGHT DUTY TARGET MECHANISM

[75] Inventor: Brian H. Meredith, Corfham, England

[73] Assignee: Australasian Training Aids (Pty.) Ltd., Albury, Australia

[\*\*] Term: 14 Years

[21] Appl. No.: 185,791

[22] Filed: Sep. 10, 1980

[51] Int. Cl. .... D22-04

[52] U.S. Cl. .... D22/99

[58] Field of Search ..... 273/406, 407, 408, 348; D21/5; 124/43, 6; D22/19, 18, 15, 99

[56] References Cited

U.S. PATENT DOCUMENTS

- 4,119,317 10/1978 Ohlund et al. .... 273/406
- 4,260,160 4/1981 Ejnell et al. .... 273/348 X

Primary Examiner—A. Hugo Word

Attorney, Agent, or Firm—Schwartz, Jeffery, Schwaab, Mack, Blumenthal & Koch

[57] CLAIM

The ornamental design for a light duty target mechanism, as shown and described.

DESCRIPTION

FIG. 1 is a perspective view of the light duty target mechanism;

FIG. 2 is a right side elevational view of the light duty target mechanism;

FIG. 3 is a left side elevational view of the light duty target mechanism;

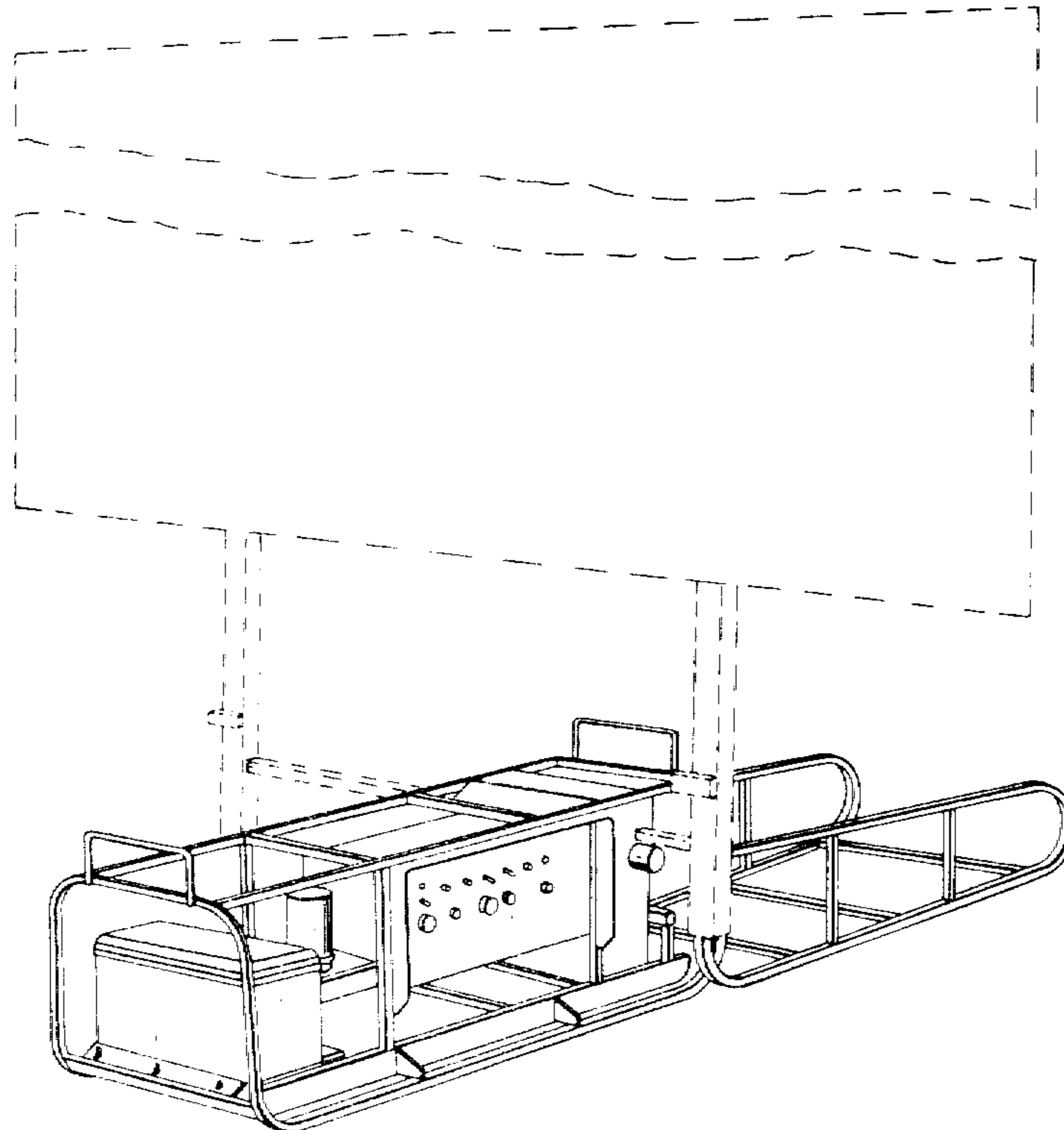
FIG. 4 is a plan view of the light duty target mechanism;

FIG. 5 is a front elevational view of the light duty target mechanism;

FIG. 6 is a rear elevational view of the light duty target mechanism; and

FIG. 7 is a bottom view of the light duty target mechanism.

The target board shown in broken lines in FIG. 1 has been disclosed for illustrative purposes only.



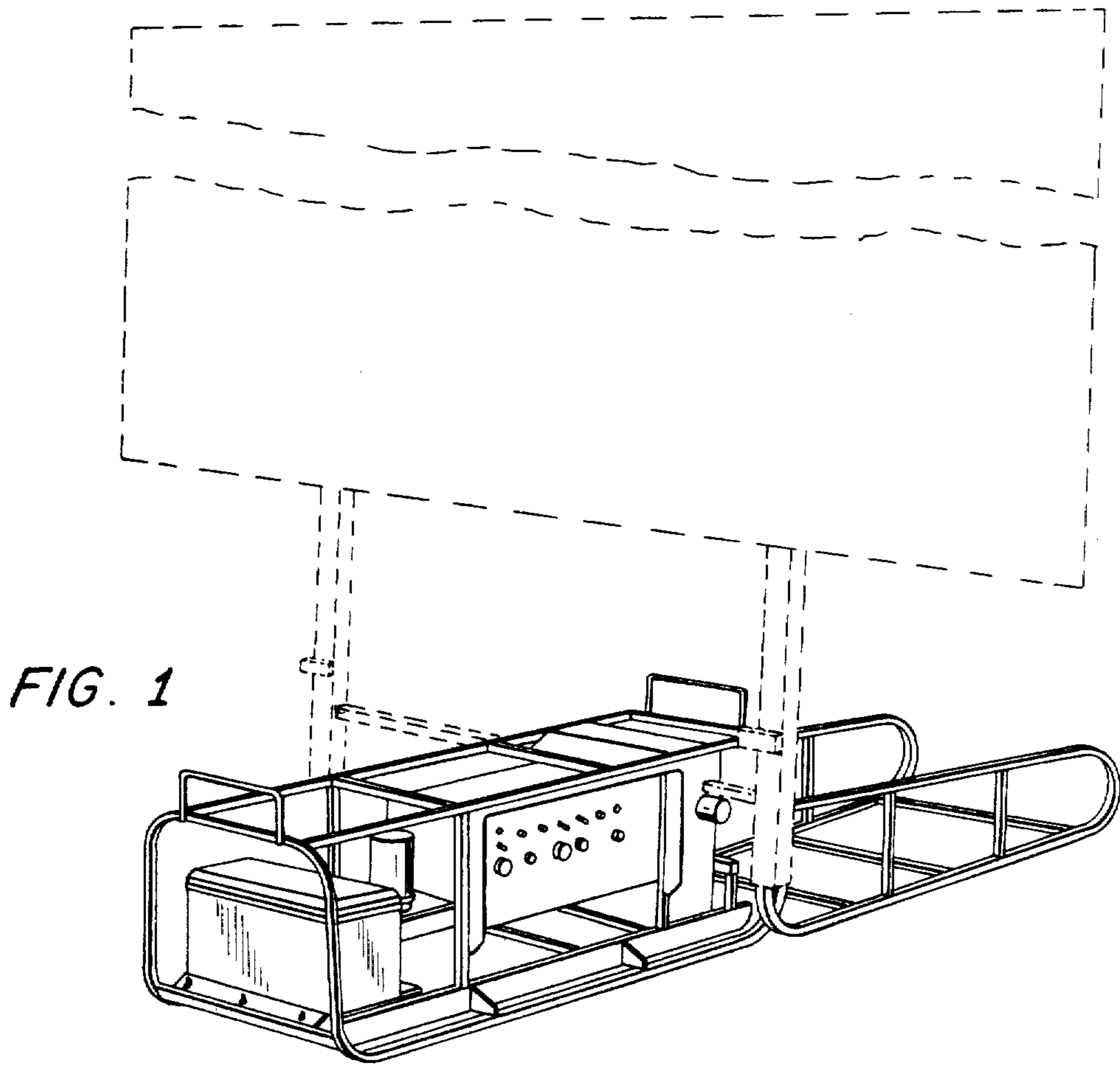


FIG. 6

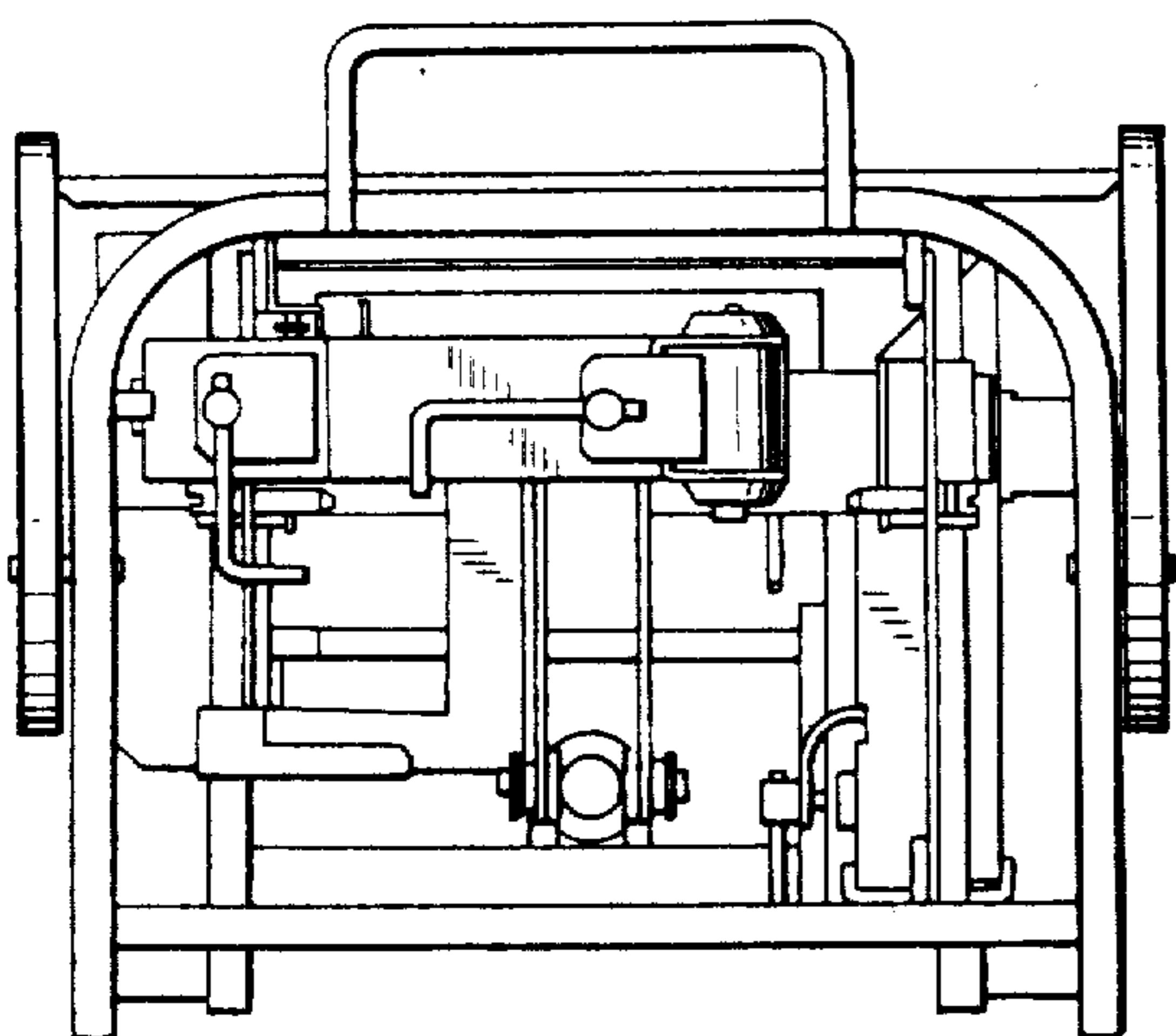


FIG. 5

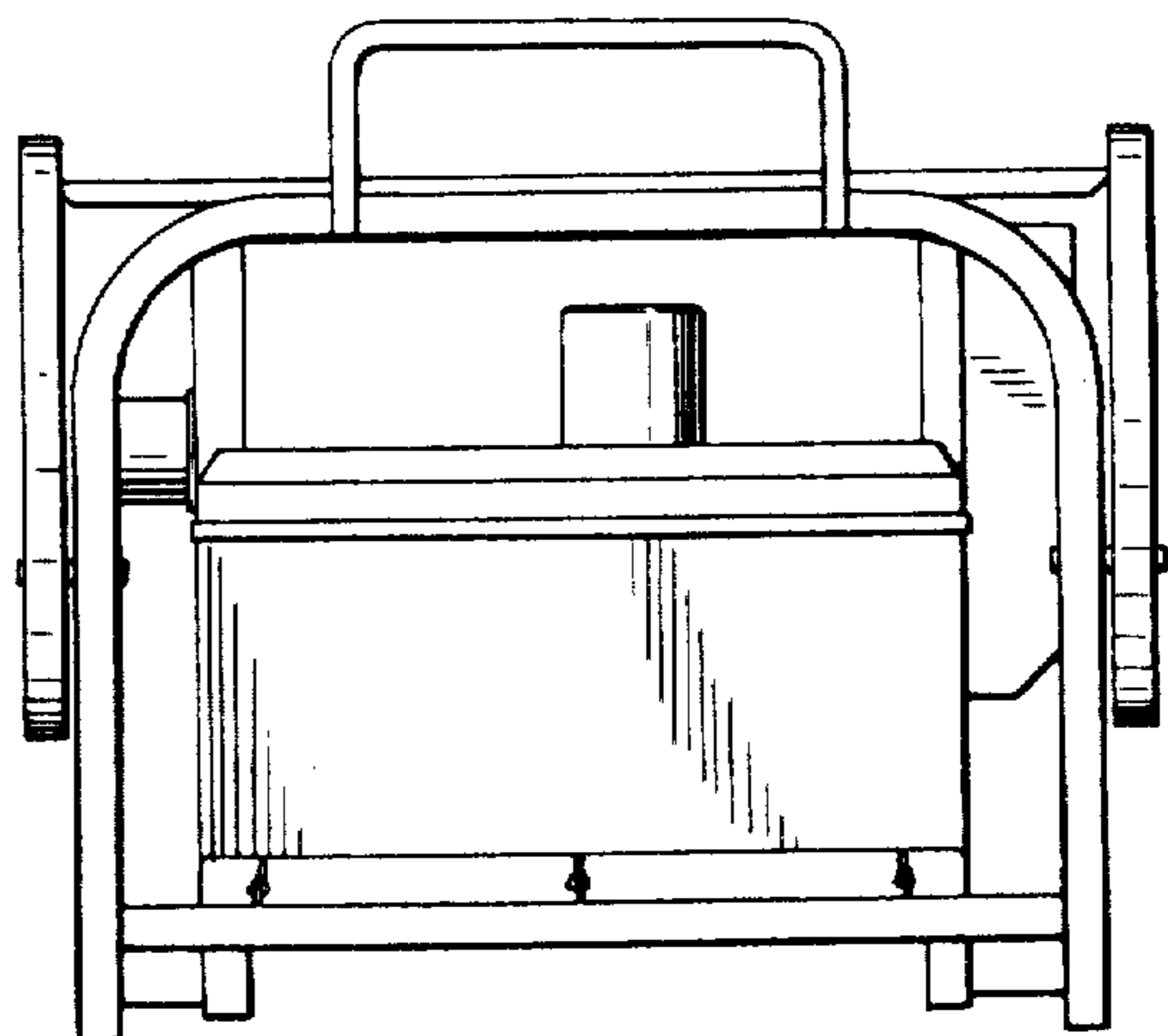


FIG. 2

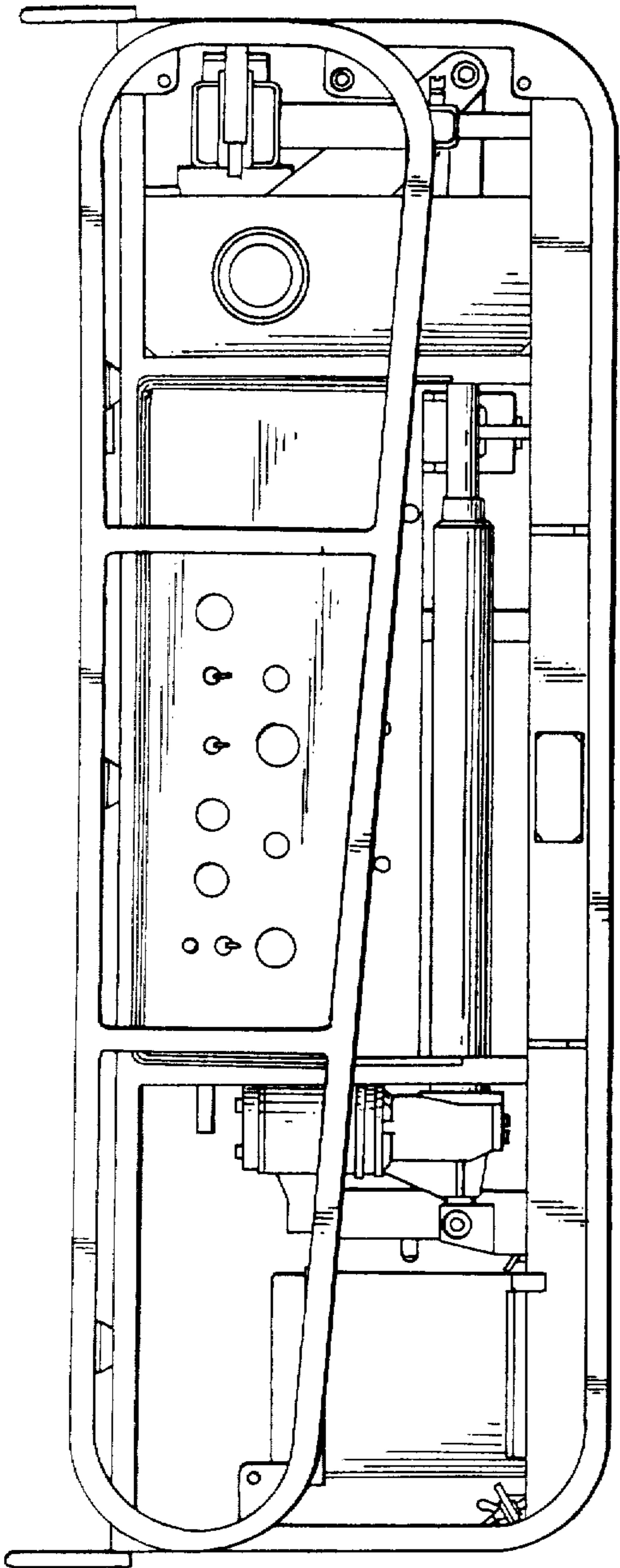
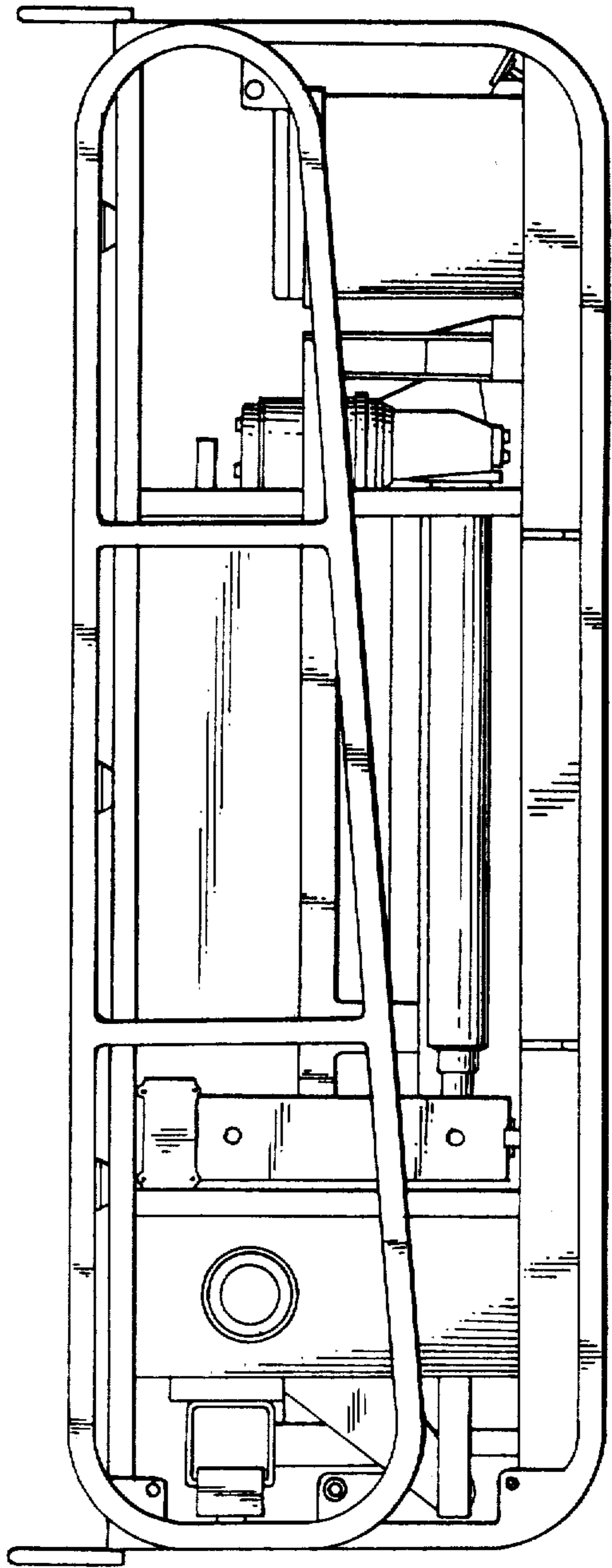


FIG. 3



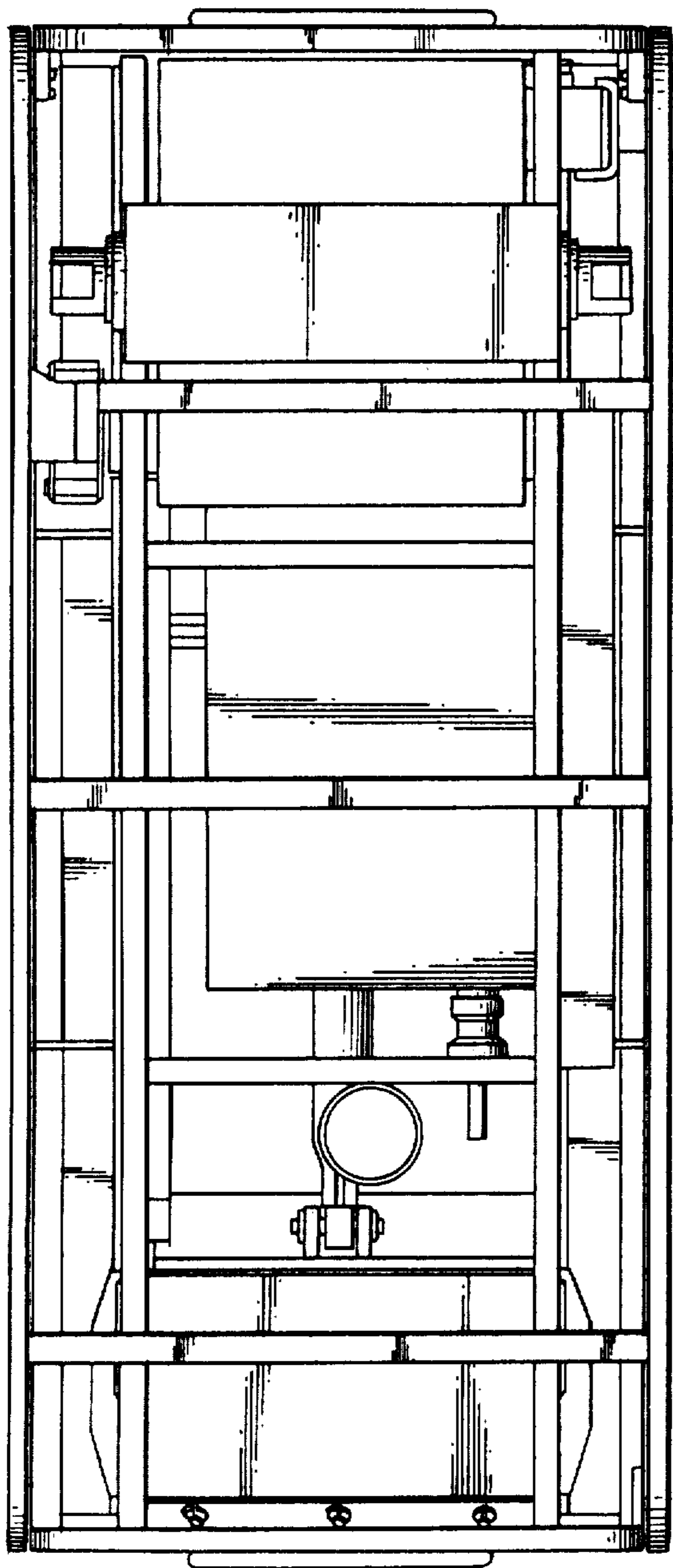


FIG. 4

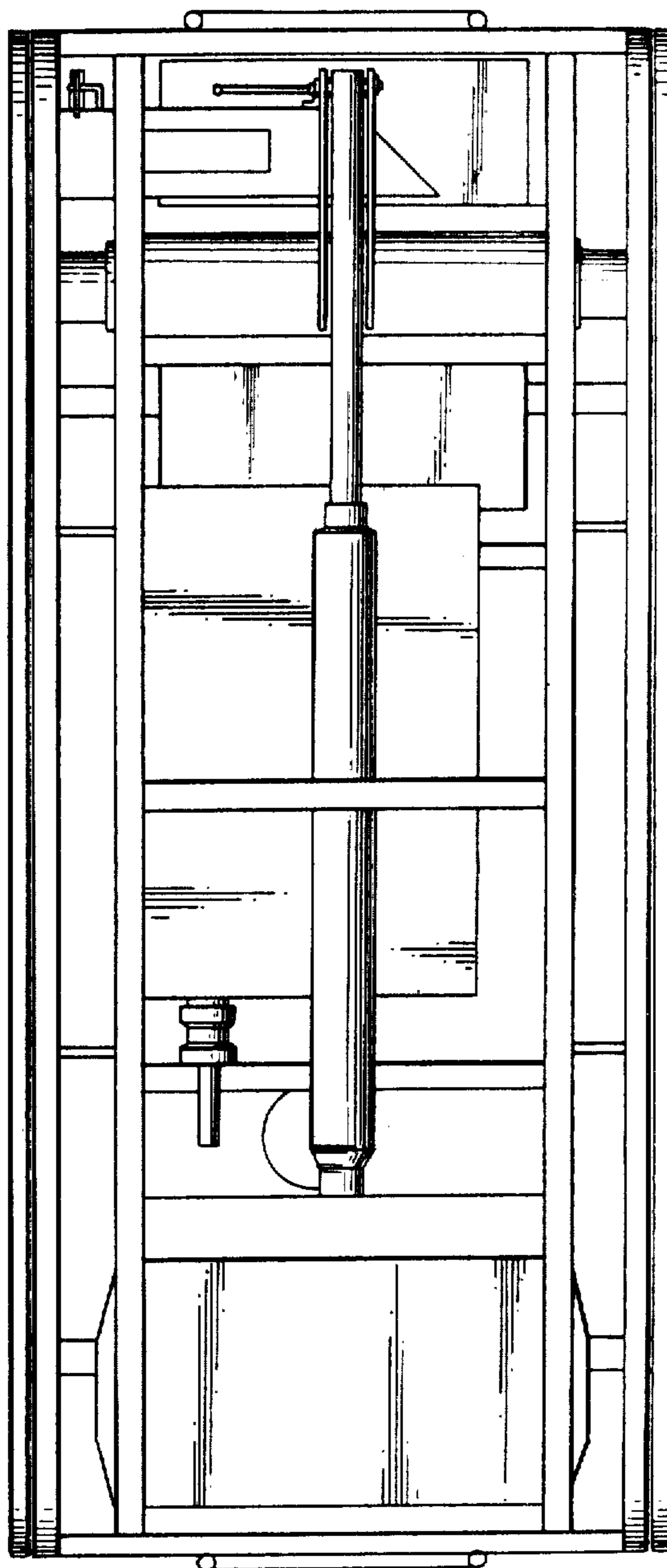


FIG. 7