

[54] **SINGLE LENS REFLEX CAMERA**

[75] Inventor: **Takaharu Kato**, Tokyo, Japan

[73] Assignee: **Ricoh Company, Ltd.**, Tokyo, Japan

[\*\*] Term: **7 Years**

[21] Appl. No.: **233,669**

[22] Filed: **Feb. 11, 1981**

[30] **Foreign Application Priority Data**  
 Aug. 11, 1980 [JP] Japan ..... 55-032813

[51] Int. Cl. .... **D16-01**

[52] U.S. Cl. .... **D16/8**

[58] **Field of Search** ..... D16/1, 2, 6, 7, 8, 9,  
 D16/10, 38, 39; 354/23 R, 60 R, 82, 152, 156,  
 202, 288

3,094,911 6/1963 Reiche ..... D16/8 X  
 3,999,194 12/1976 Imura ..... 354/152 X  
 4,137,539 1/1979 Maitani ..... 354/152

**OTHER PUBLICATIONS**

*Miranda FM-Brochure-Pre 1977-Camera on front.*  
*Olympus OM-10 Brochure-8/79-Camera on p. 5.*

*Primary Examiner—Nelson C. Holtje*  
*Attorney, Agent, or Firm—Guy W. Shoup*

[56] **References Cited**

**U.S. PATENT DOCUMENTS**

D. 253,475 11/1979 Kramer ..... D16/8  
 D. 263,310 3/1982 Kato ..... D16/8

[57] **CLAIM**

The ornamental design for a single lens reflex camera, as shown and described.

**DESCRIPTION**

FIG. 1 is a front, top and left side perspective view of a single lens reflex camera showing my new design; FIG. 2 is a front elevational view thereof; FIG. 3 is a rear elevational view thereof; FIG. 4 is a left side elevational view thereof; FIG. 5 is a right side elevational view thereof; FIG. 6 is a top plan view thereof; and FIG. 7 is a bottom plan view thereof.

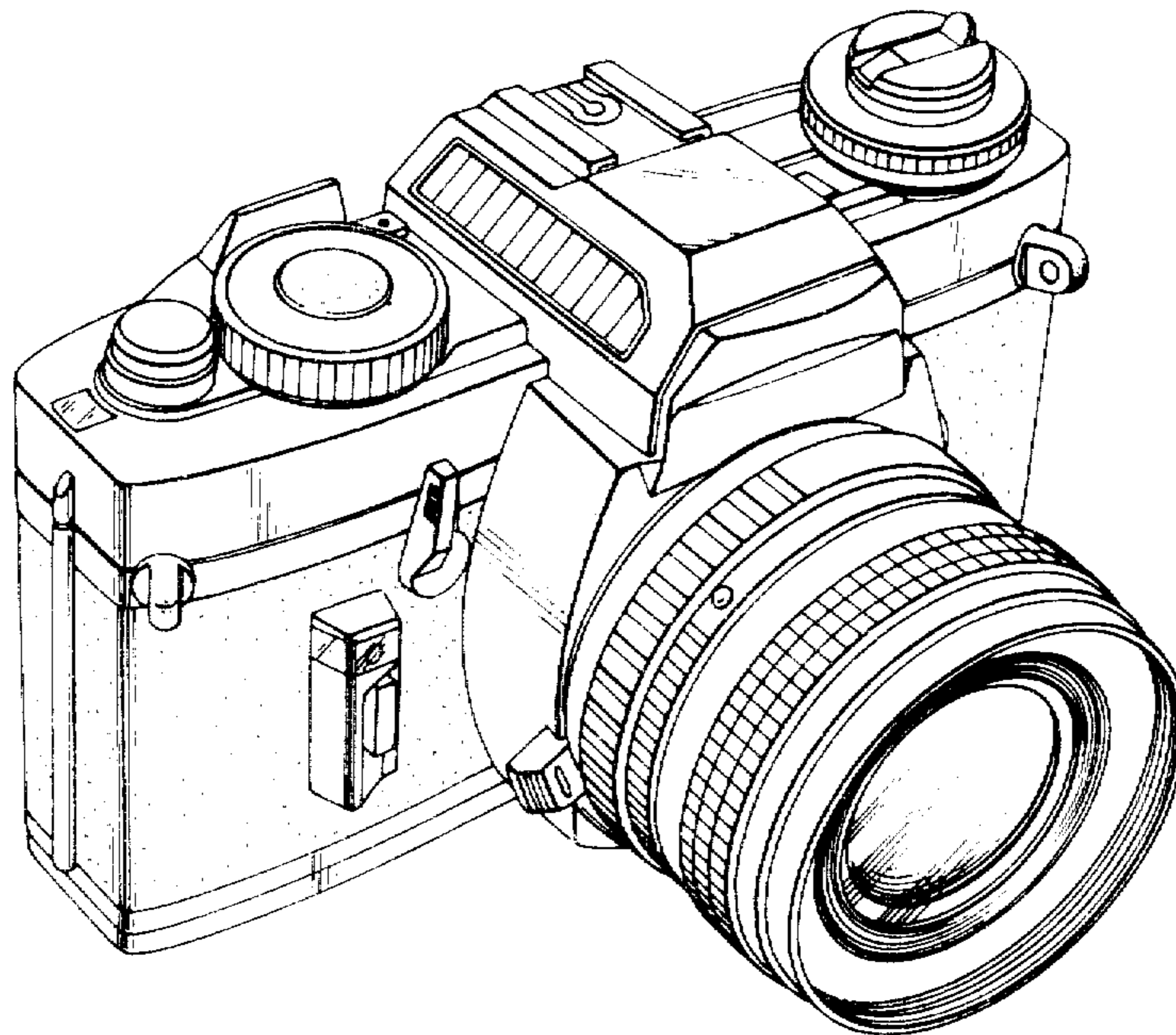


FIG. 1

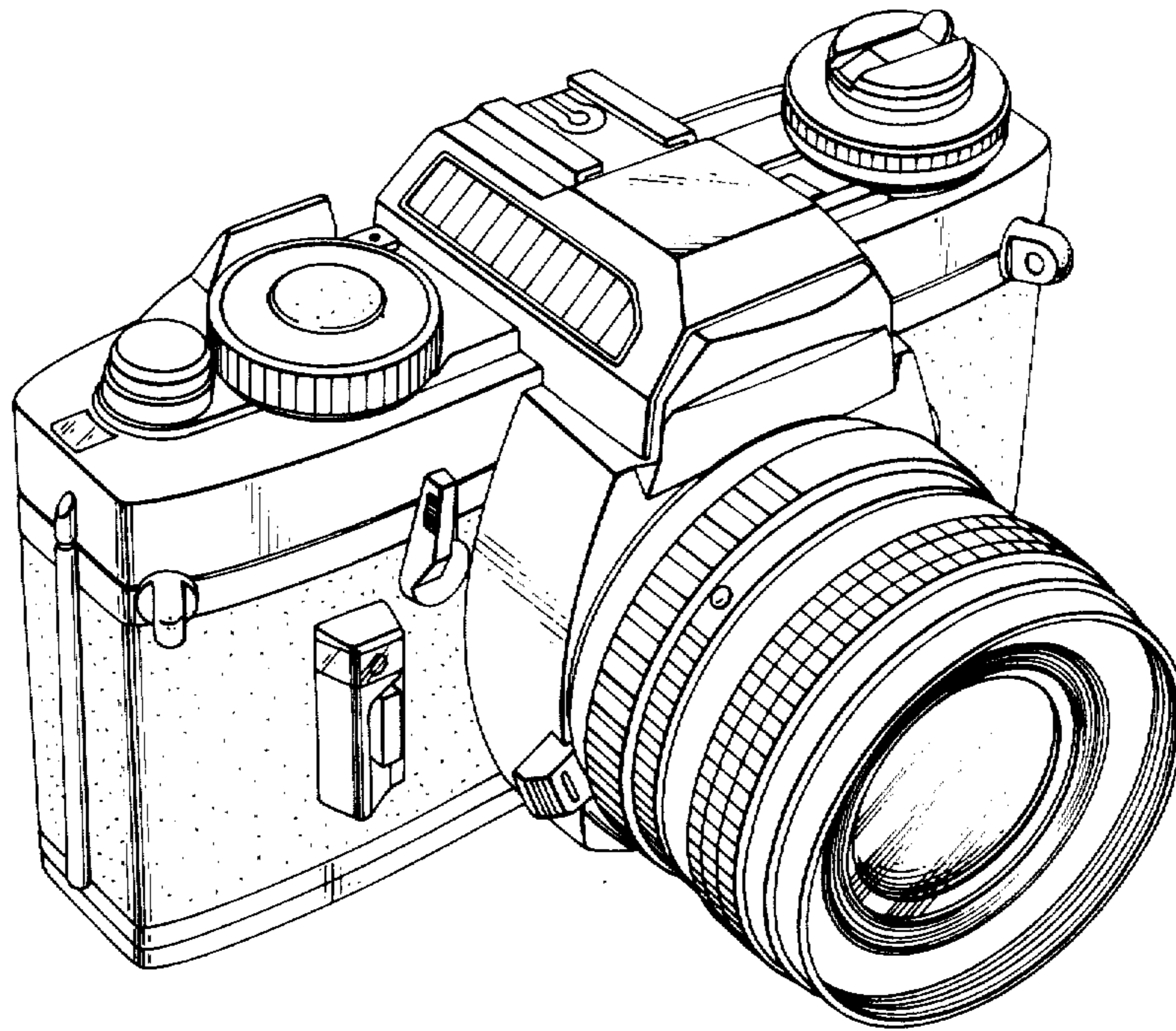


FIG. 2

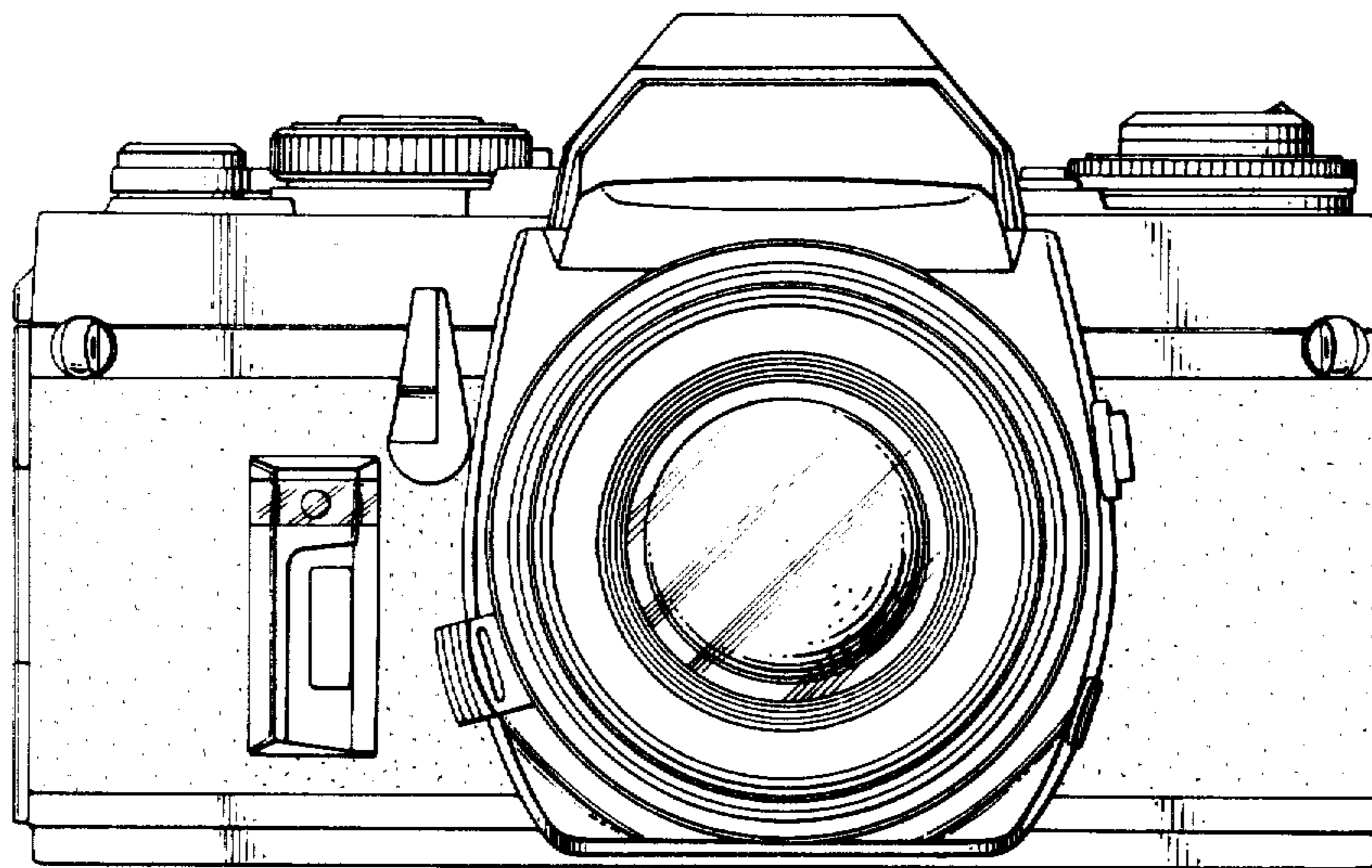


FIG. 3

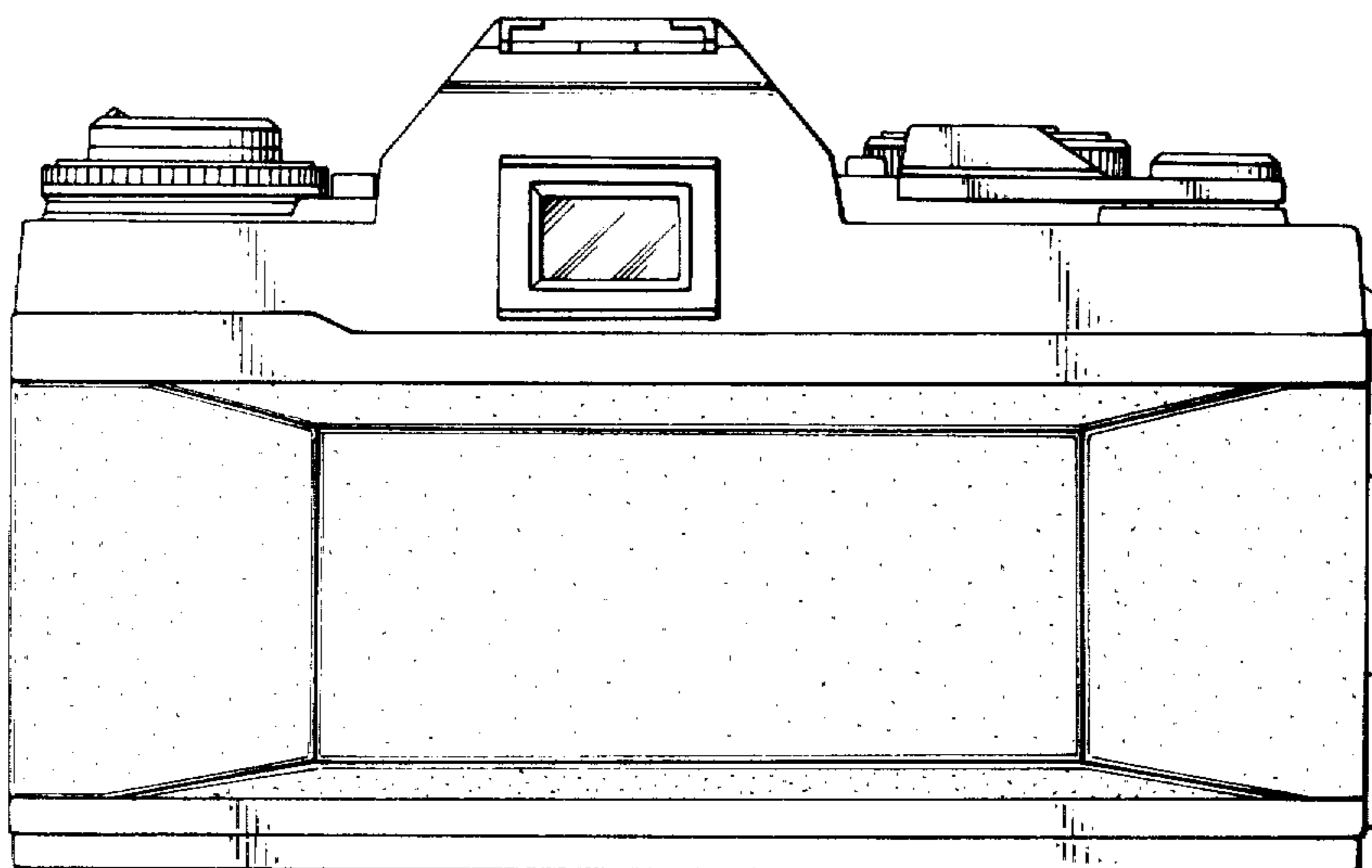


FIG. 4

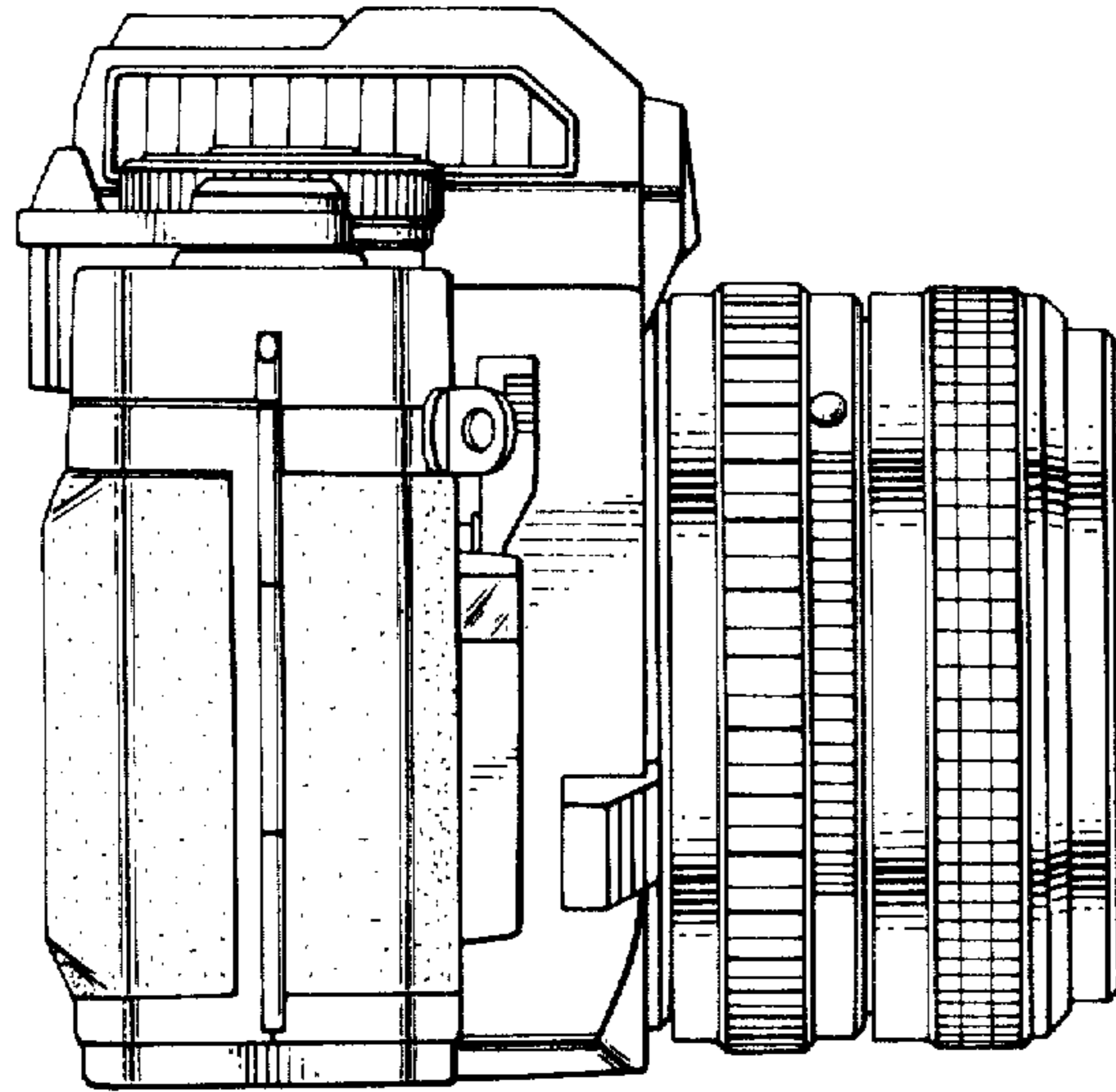


FIG. 5

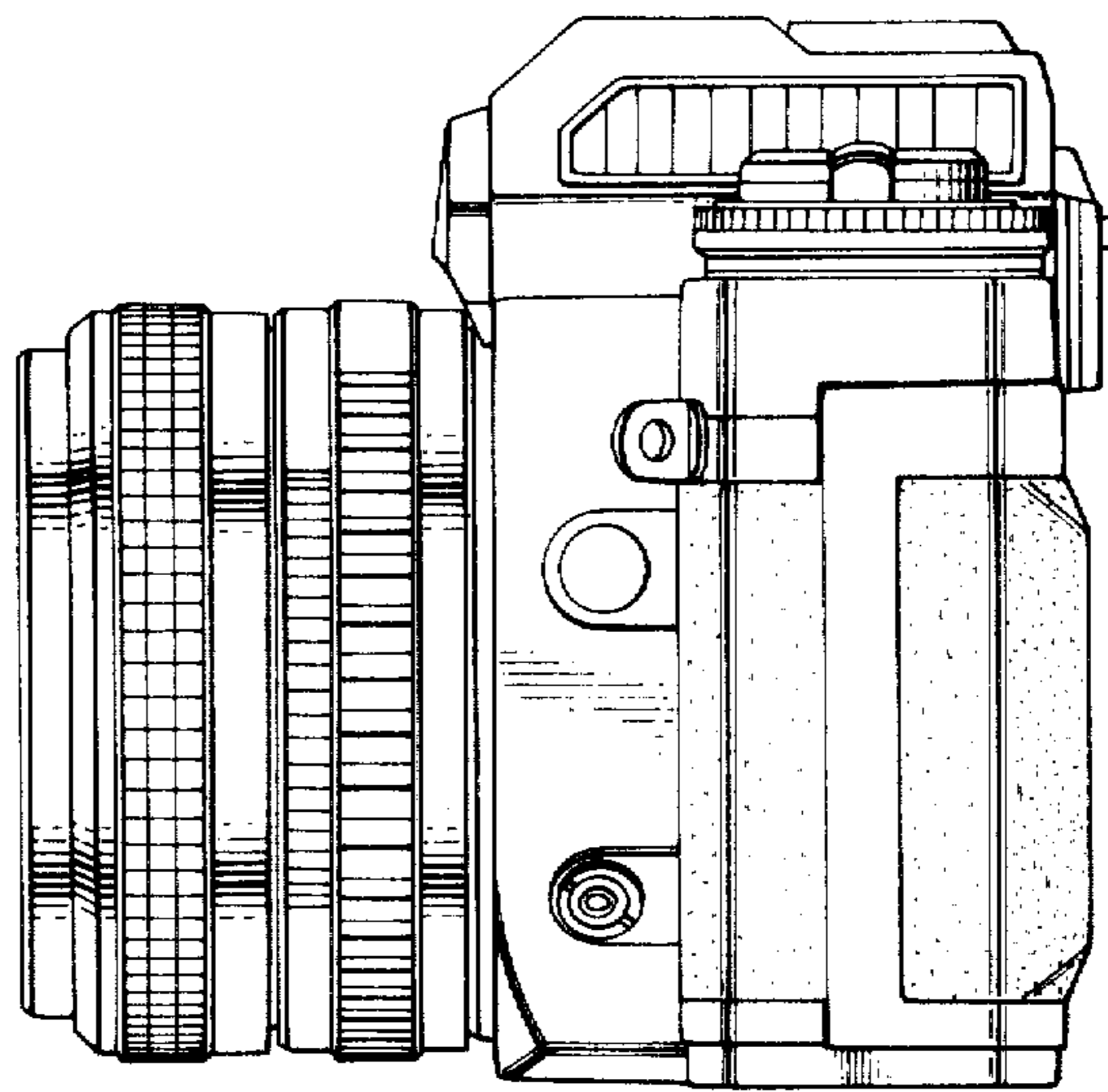


FIG. 6

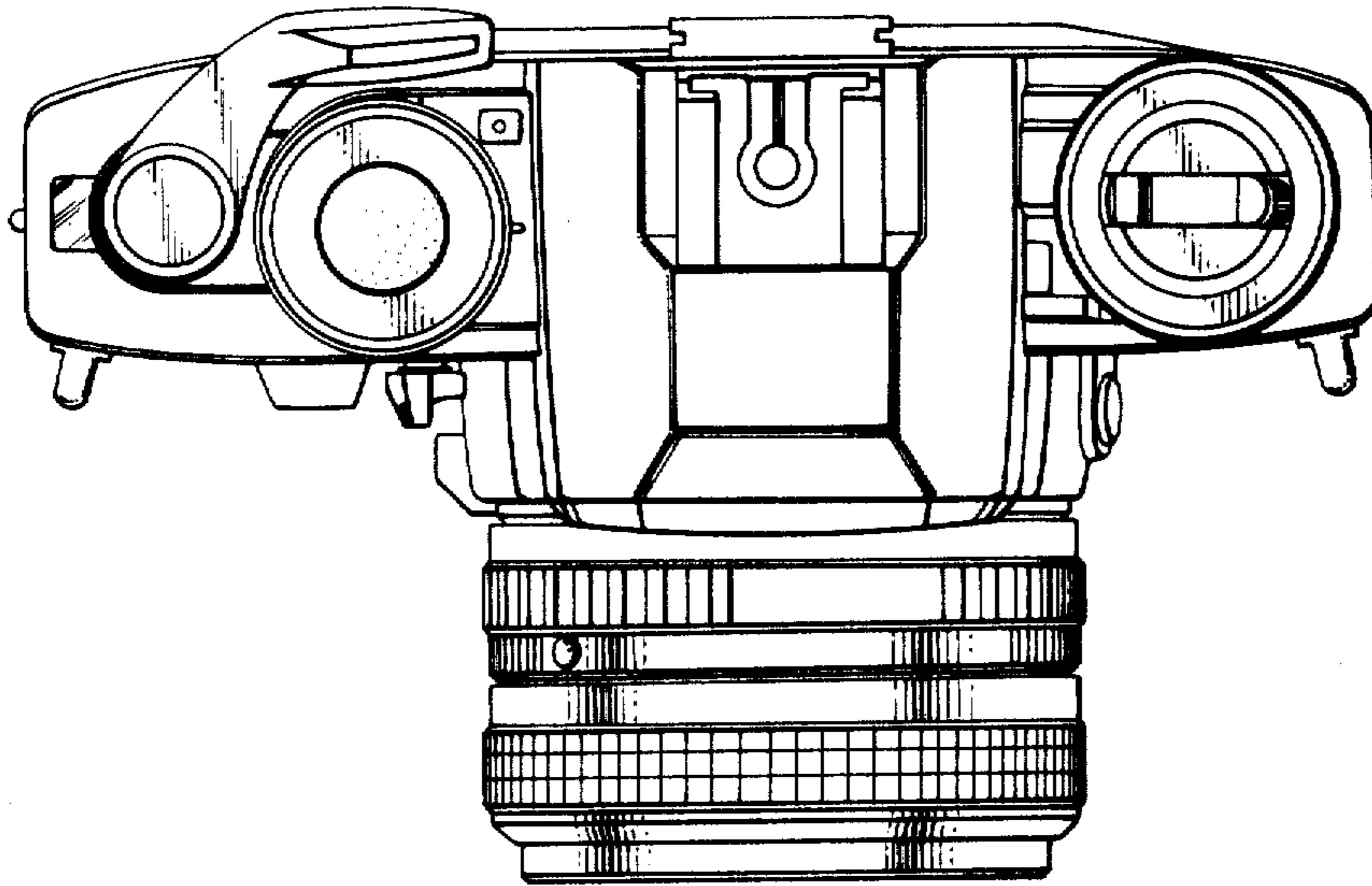


FIG. 7

