

[54] COMBINED CAMERA/FLASH UNIT

[56]

References Cited

U.S. PATENT DOCUMENTS

[75] Inventor: Kenji Sawara, Tokyo, Japan  
[73] Assignee: Fuji Koeiki Corporation, Tokyo, Japan  
[\*\*] Term: 14 Years

D. 183,670	10/1958	Zagara	.....	D16/9
D. 191,235	8/1961	Hennig	.....	D16/1 X
D. 263,240	3/1982	Schultes	.....	D16/6
2,936,685	5/1960	O'Brien	.....	354/219
3,169,708	2/1965	D'Incerti	.....	354/145 X
4,130,355	12/1978	Ohtaki	.....	354/60 R X
4,231,645	11/1980	Davis	.....	354/145
4,319,818	3/1982	Sawara	.....	354/145

[21] Appl. No.: 228,361

Primary Examiner—Nelson C. Holtje  
Attorney, Agent, or Firm—Fleit & Jacobson

[22] Filed: Jan. 19, 1981

[57] CLAIM

The ornamental design for a combined camera/flash unit, substantially as shown.

[30] Foreign Application Priority Data

DESCRIPTION

Jul. 20, 1980 [JP] Japan ..... 55-29190

FIG. 1 is a front elevational view of a combined camera/flash unit showing my new design;  
FIG. 2 is a rear elevational view thereof;  
FIG. 3 is a top plan view thereof;  
FIG. 4 is a bottom plan view thereof;  
FIG. 5 is a left side elevational view thereof;  
FIG. 6 is a right side elevational view thereof.

[51] Int. Cl. .... D16-01  
[52] U.S. Cl. .... D16/6; D16/42  
[58] Field of Search ..... D16/6, 5, 8, 9, 10,  
D16/42, 1; 354/126-128, 145, 149, 139, 288;  
362/8, 7

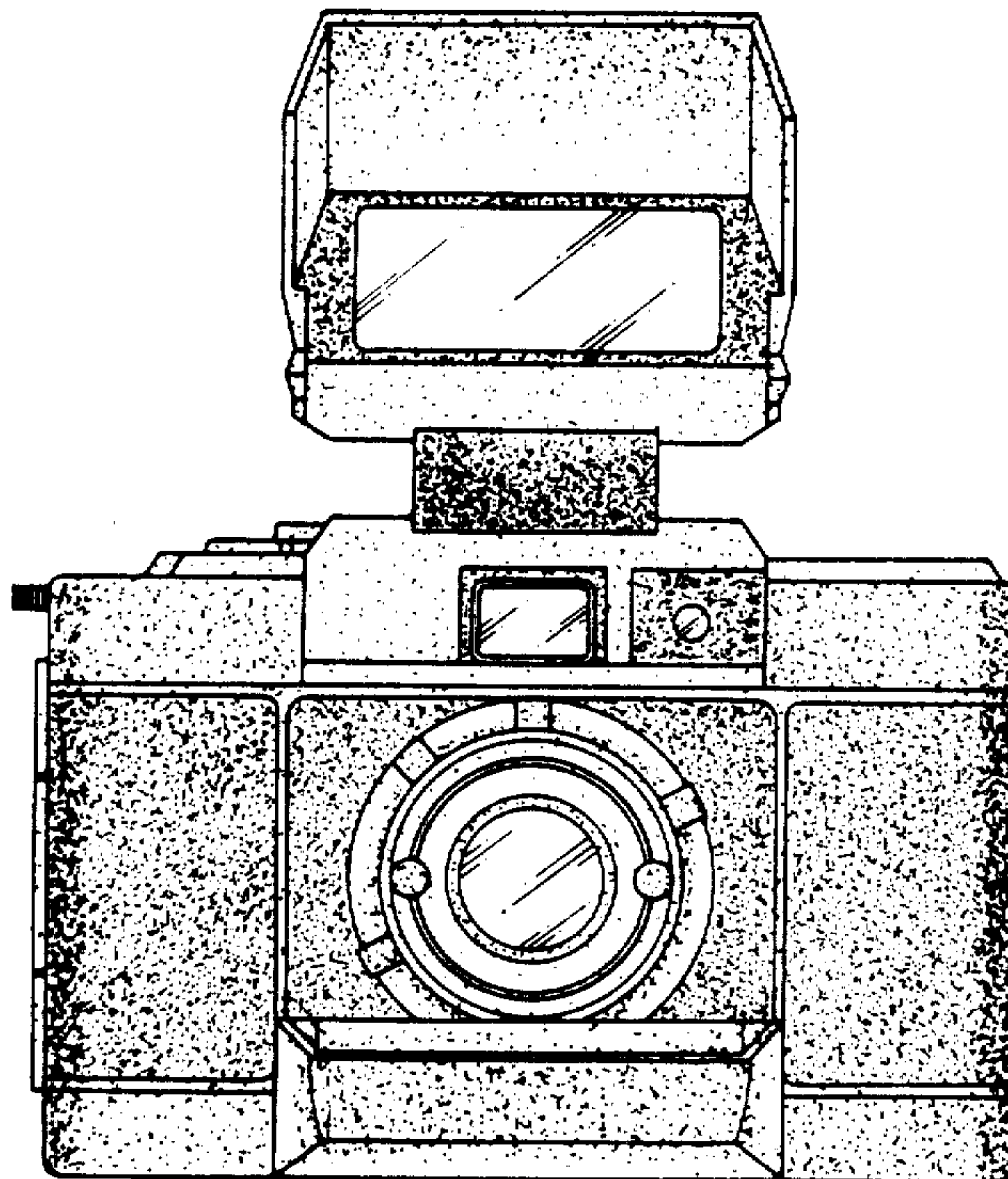


FIG. 1

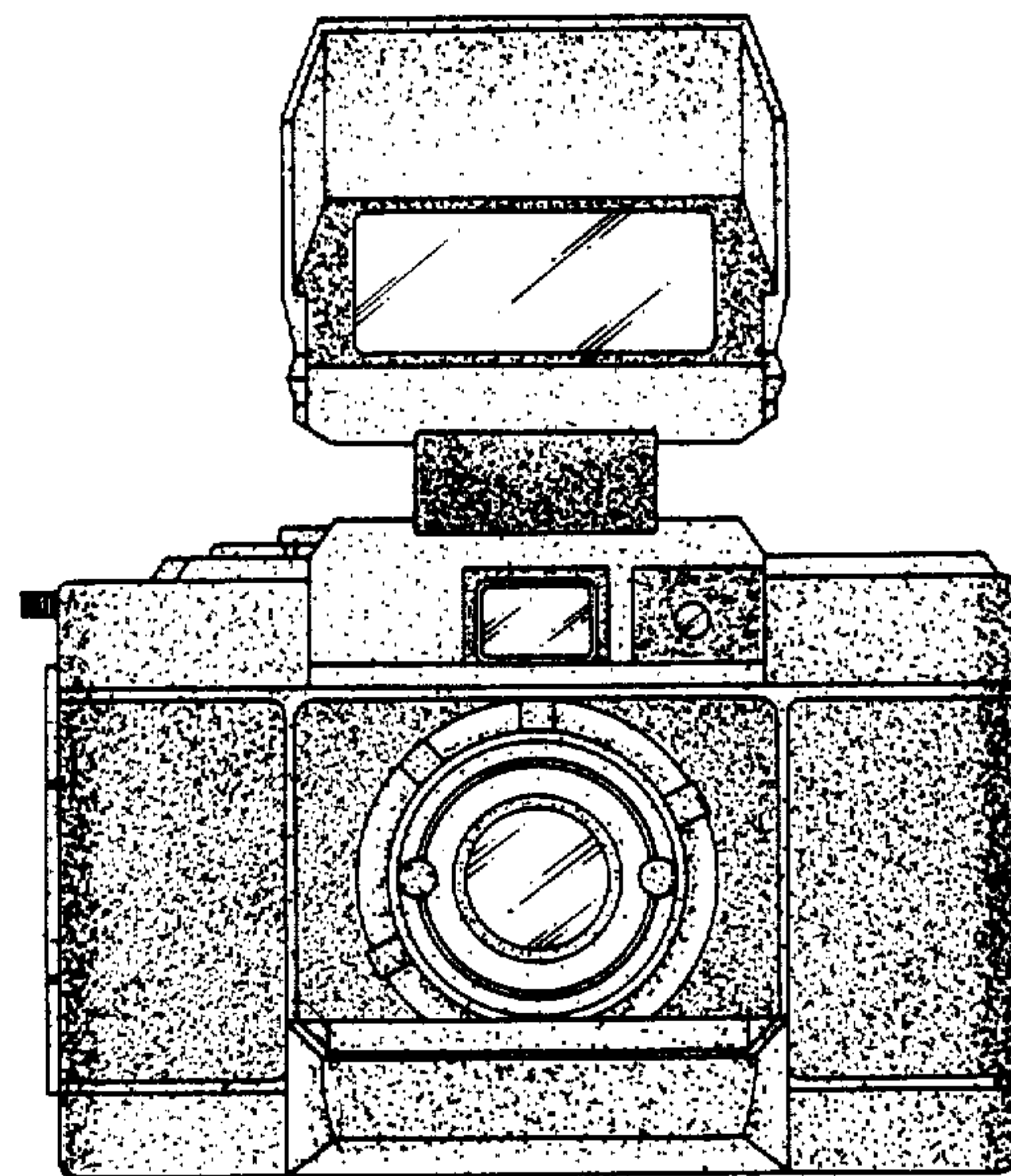


FIG. 3

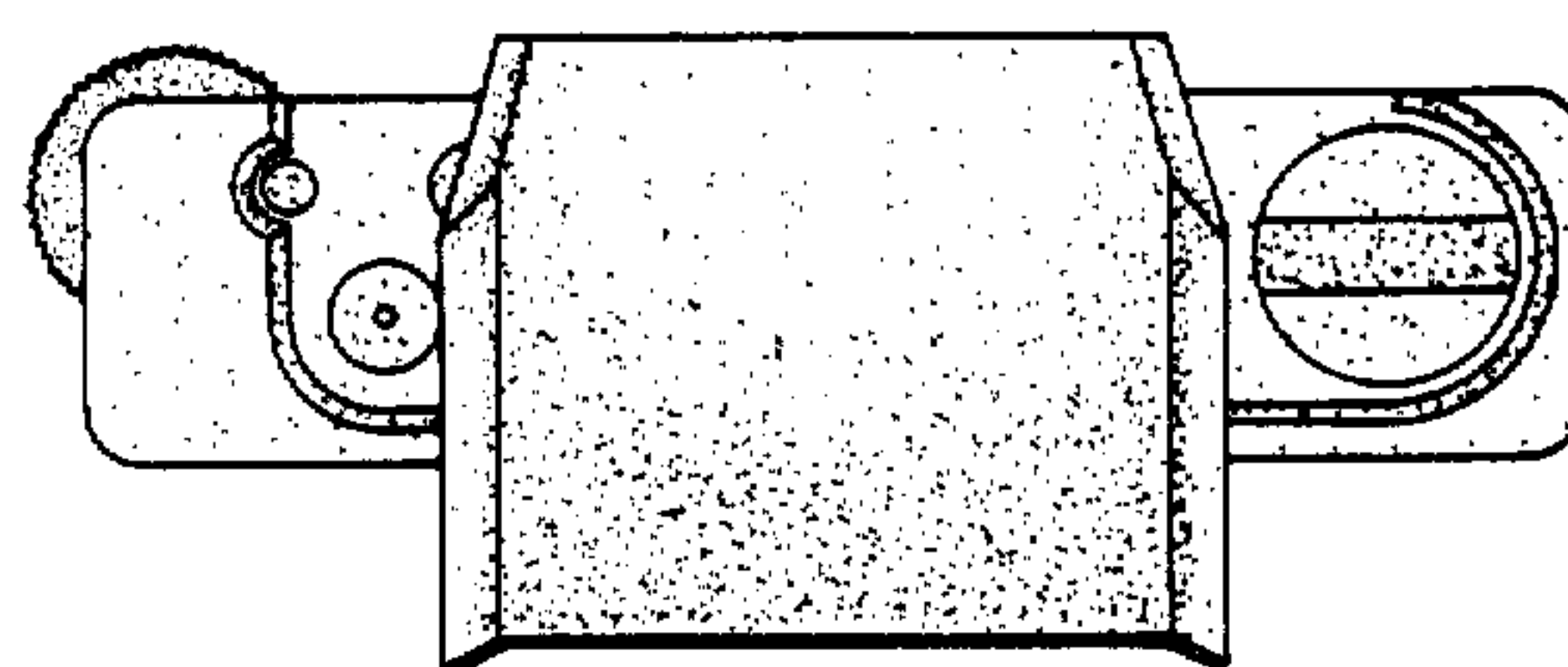


FIG. 2

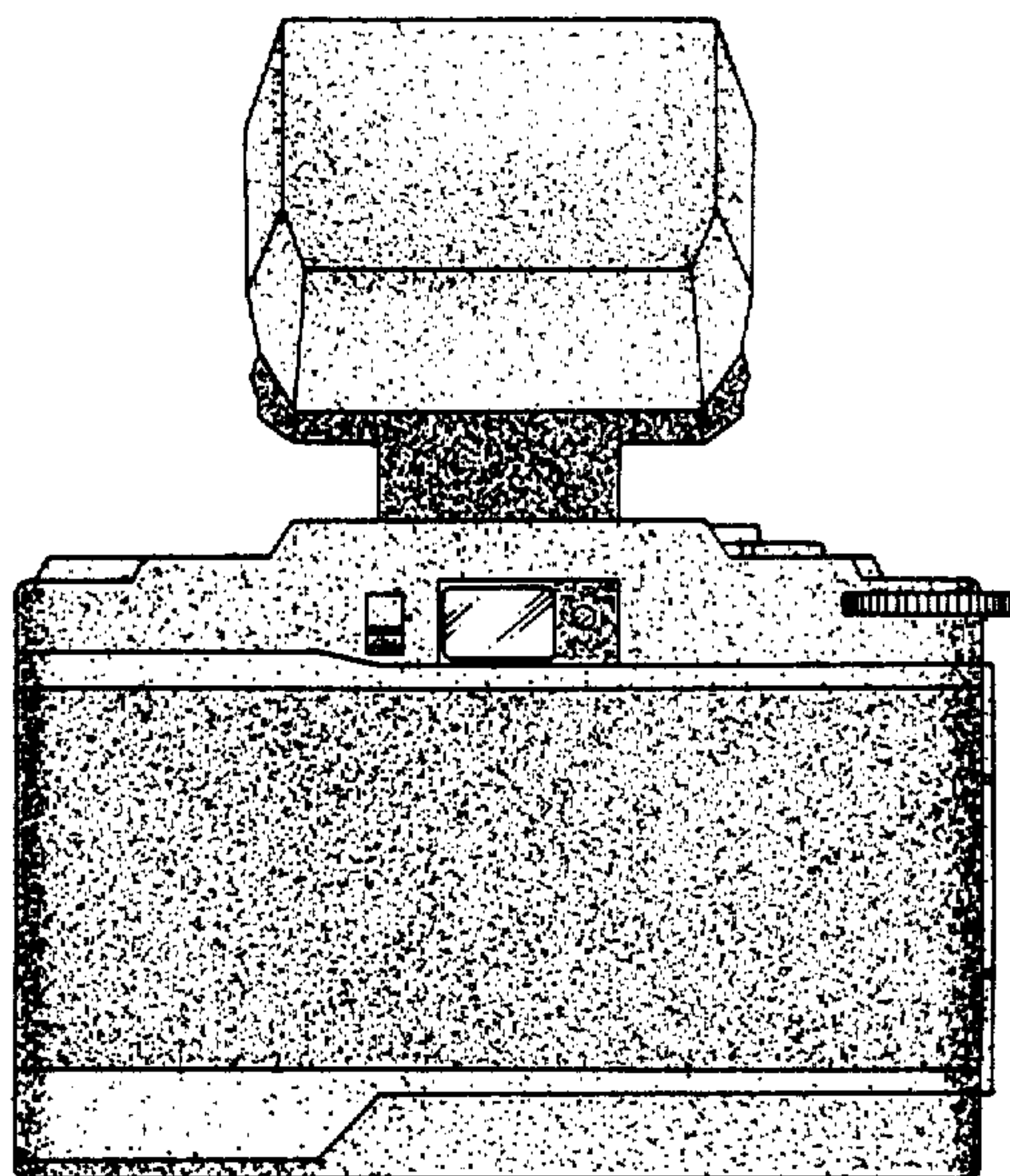


FIG. 4

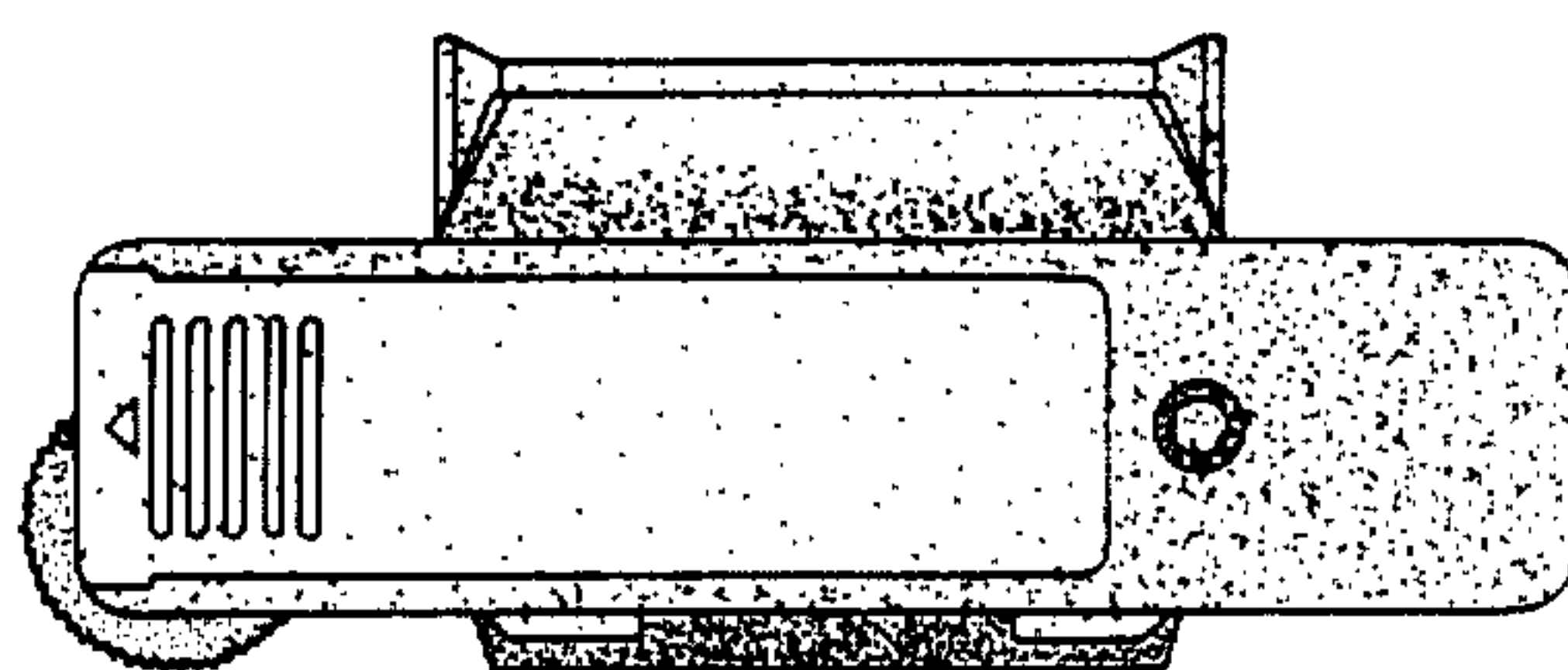




FIG. 5

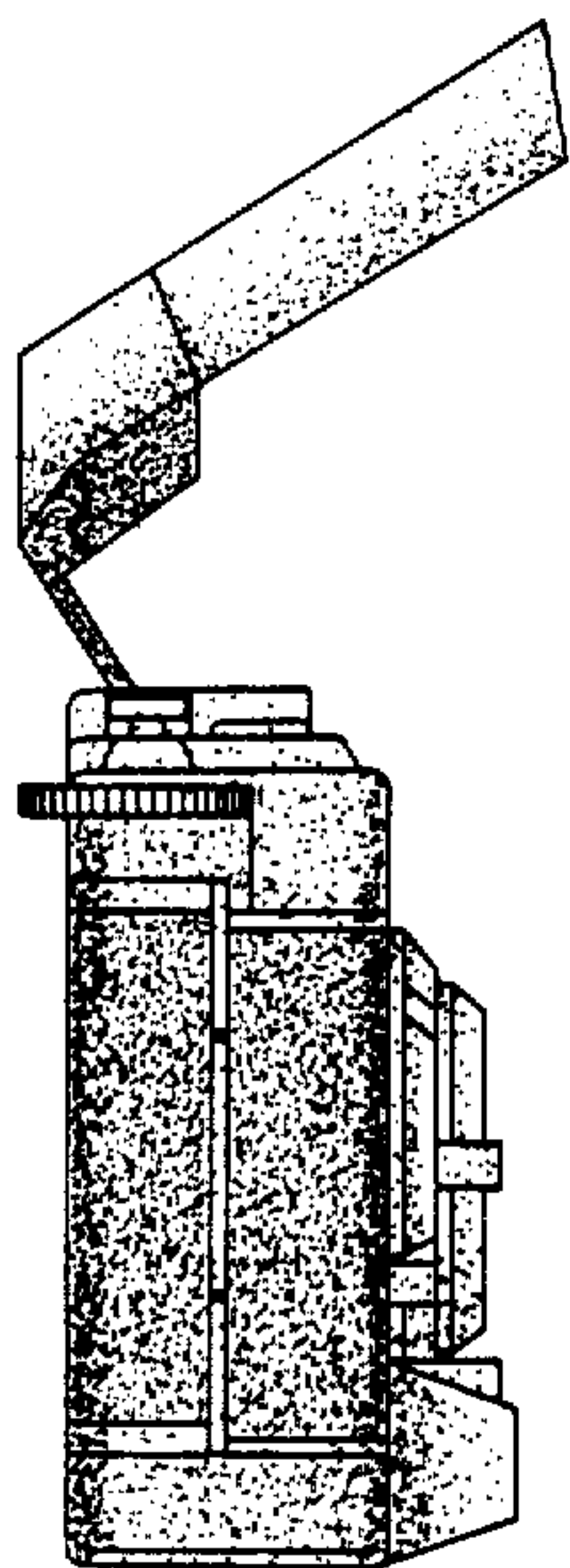


FIG. 6

