

[54] LOW-PROFILE INTAKE MANIFOLD

[76] Inventor: James W. Martin, 17421 E. Gale Ave., City of Industry, Calif. 91745

[**] Term: 14 Years

[21] Appl. No.: 87,457

[22] Filed: Oct. 22, 1979

[51] Int. Cl. D15-99

[52] U.S. Cl. D15/5; 123/52 M

[58] Field of Search D15/5; 123/52 M

[56] References Cited

U.S. PATENT DOCUMENTS

D. 169,306	4/1953	Ellis	D15/5
1,802,024	4/1931	Kreis	123/52 M
4,108,124	8/1978	Nakagawa	123/52 M

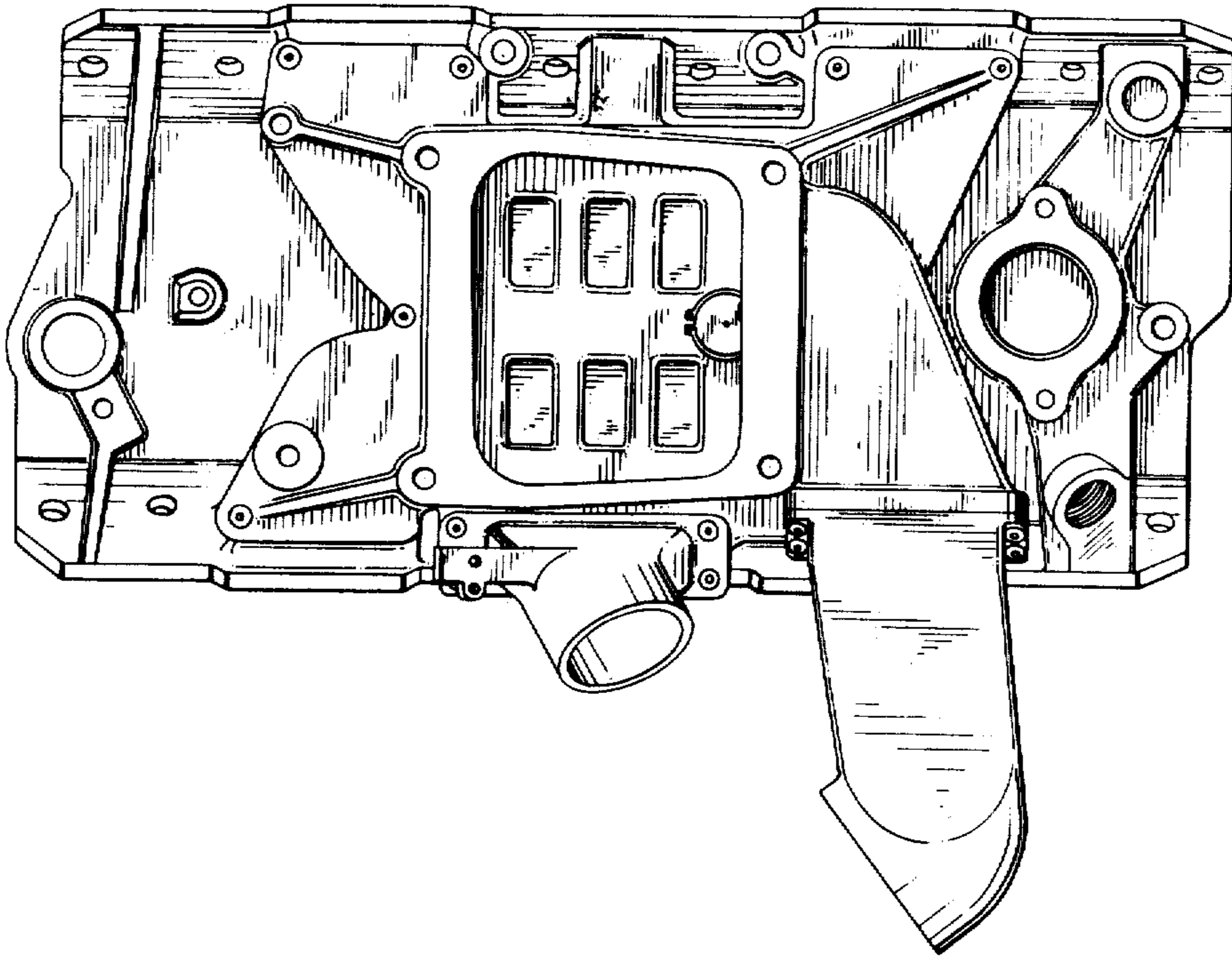
Primary Examiner—Veronica O'Keefe
Attorney, Agent, or Firm—Francis X. LoJacono

[57] CLAIM

The ornamental design for a low-profile intake manifold, as shown and described.

DESCRIPTION

FIG. 1 is a top-plan view of a low-profile intake manifold, showing my new design;
FIG. 2 is a bottom-plan view thereof;
FIG. 3 is a front-elevational view thereof;
FIG. 4 is a rear-elevational view thereof;
FIG. 5 is a right-side-elevational view thereof; and
FIG. 6 is a left-side-elevational view thereof;
FIG. 7 is a perspective view as seen from the FIG. 1 top-plan view, and
FIG. 8 is a perspective view as seen from the FIG. 2 bottom-plan view.



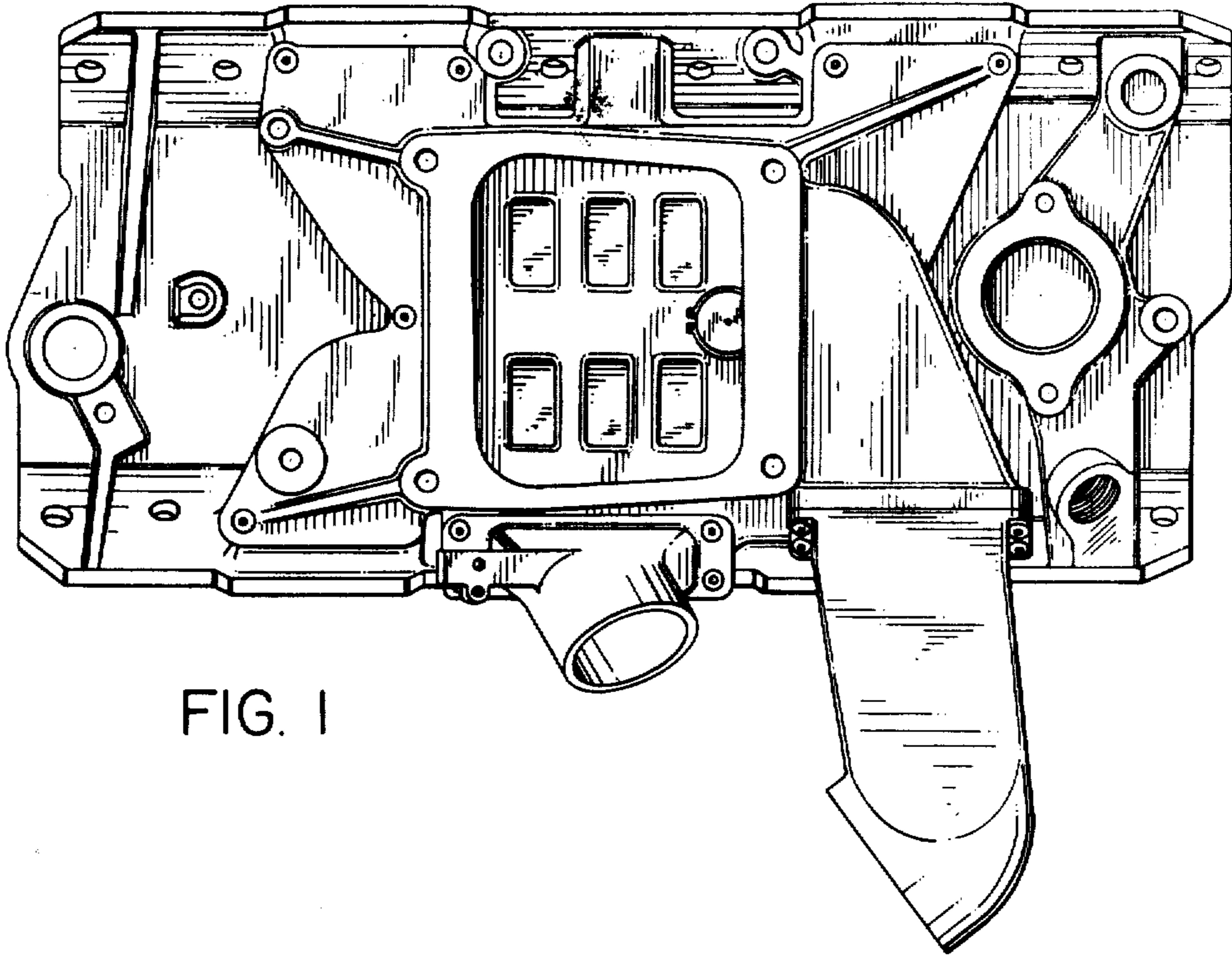


FIG. 1

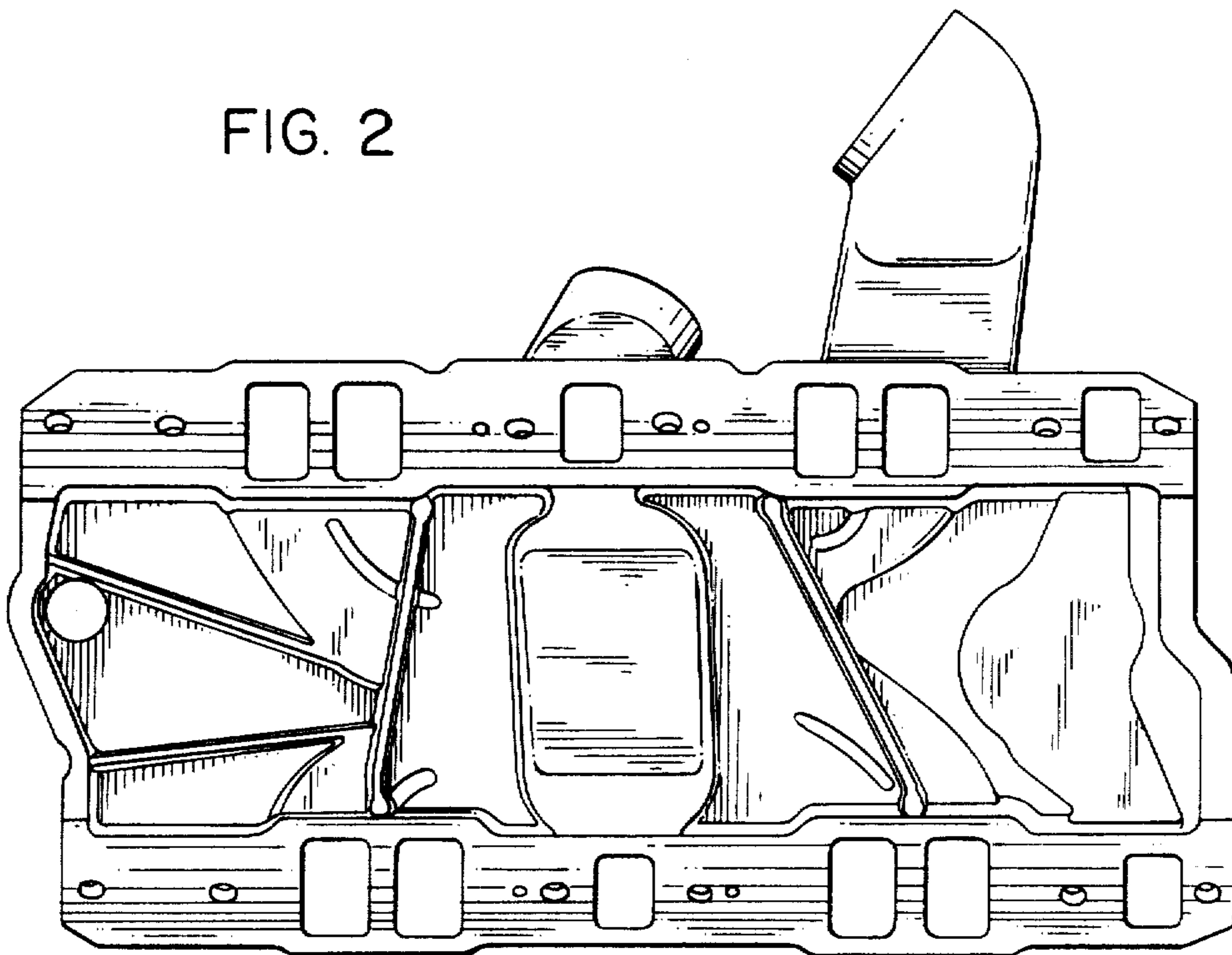


FIG. 2

FIG. 3

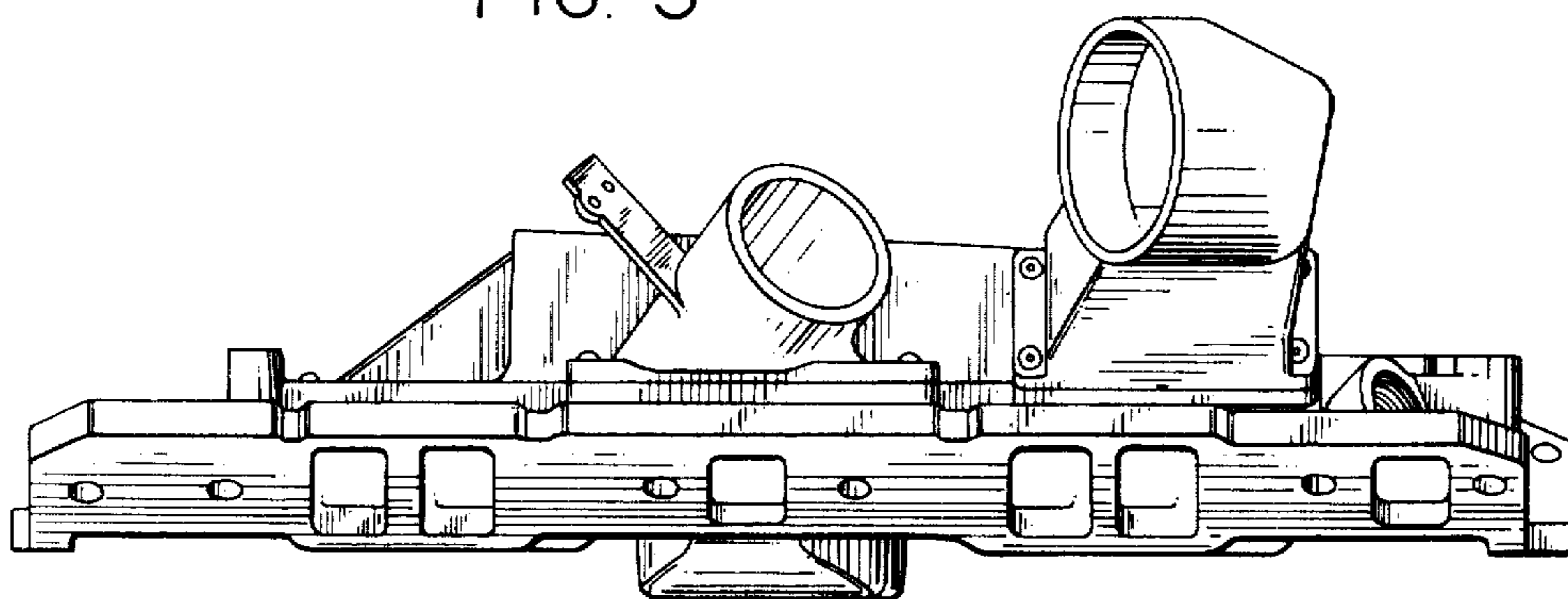


FIG. 4

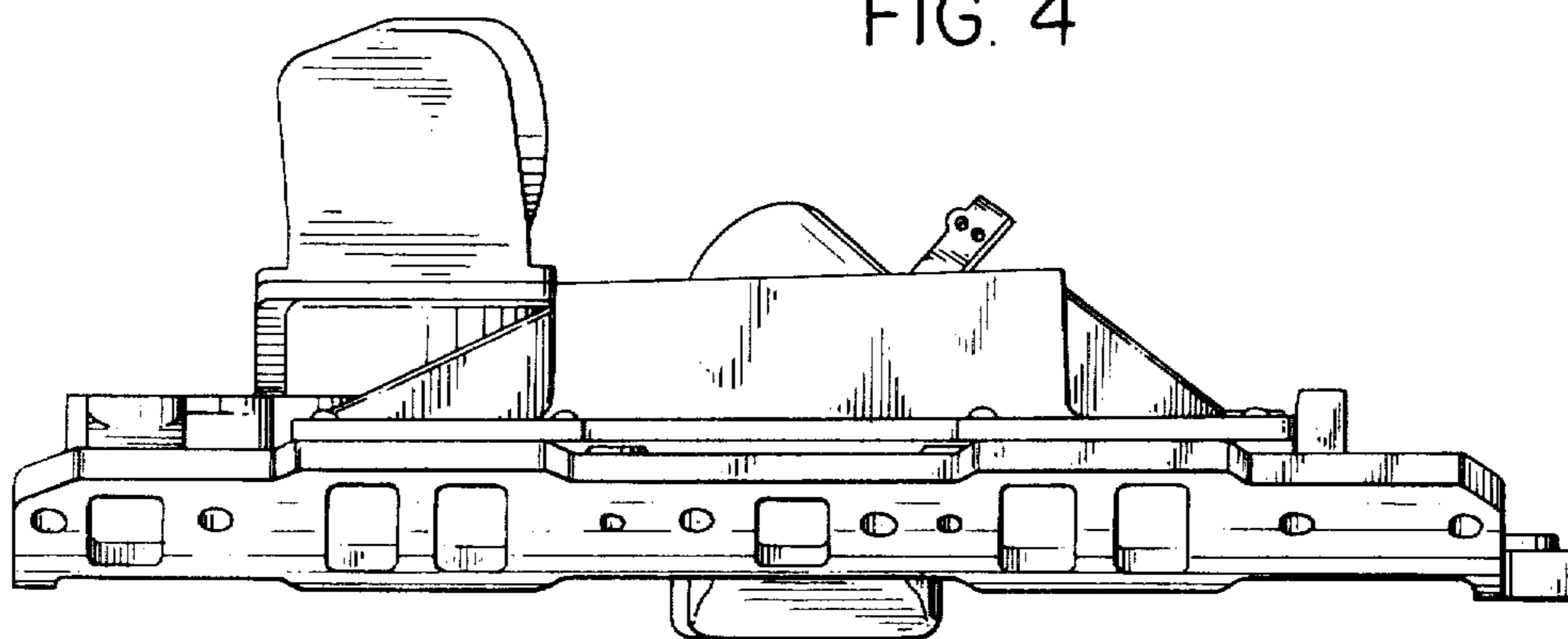


FIG. 5

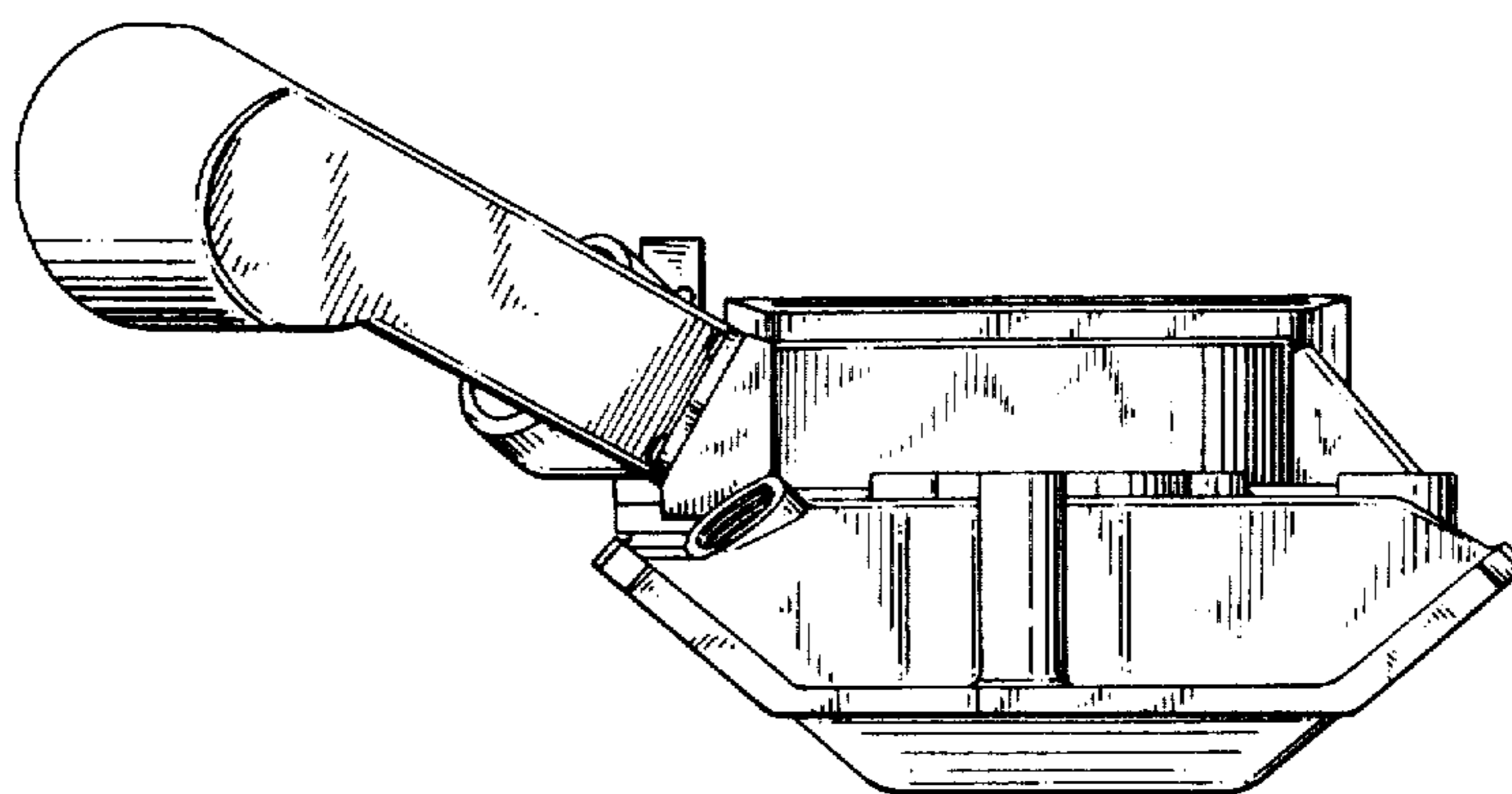
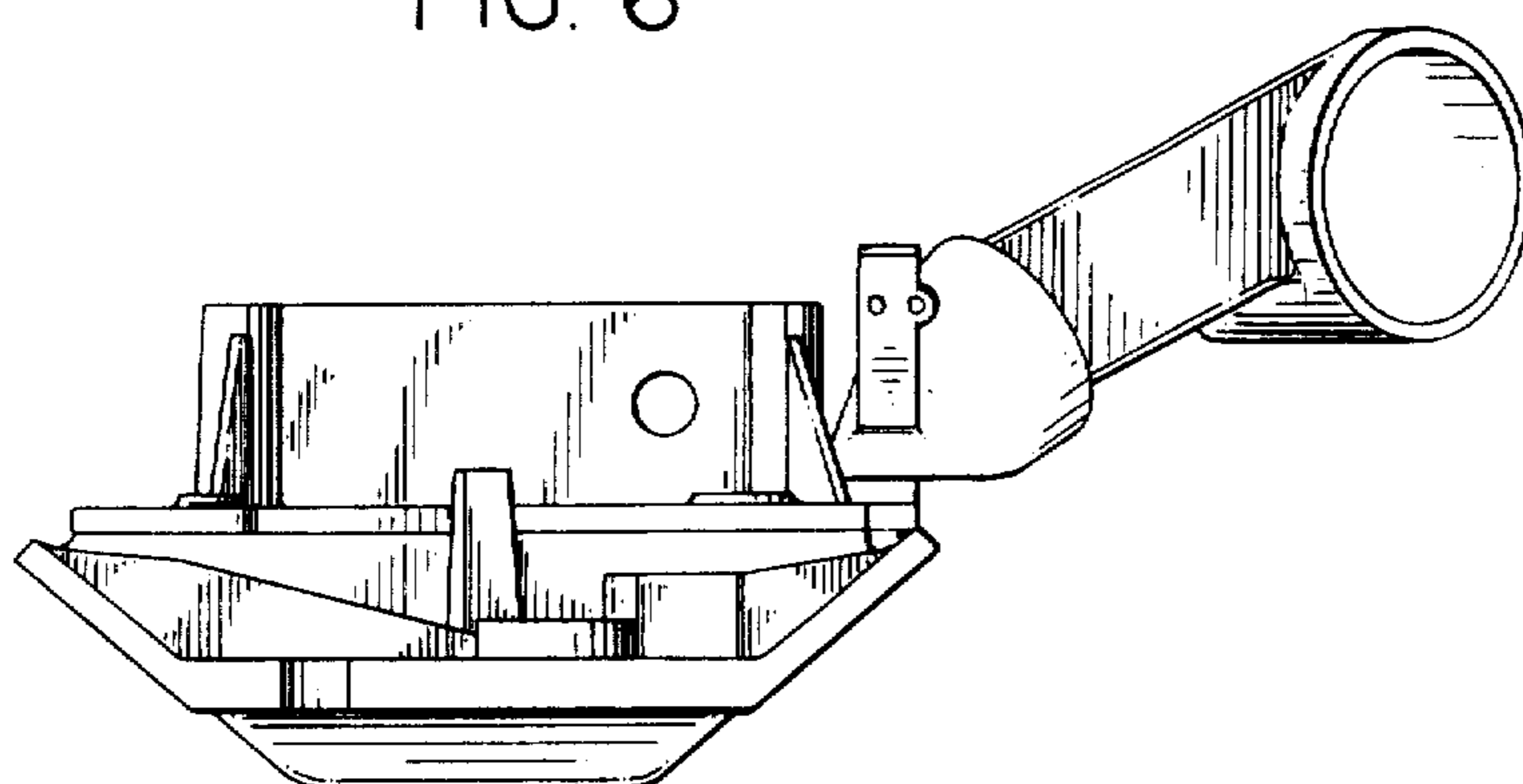


FIG. 6



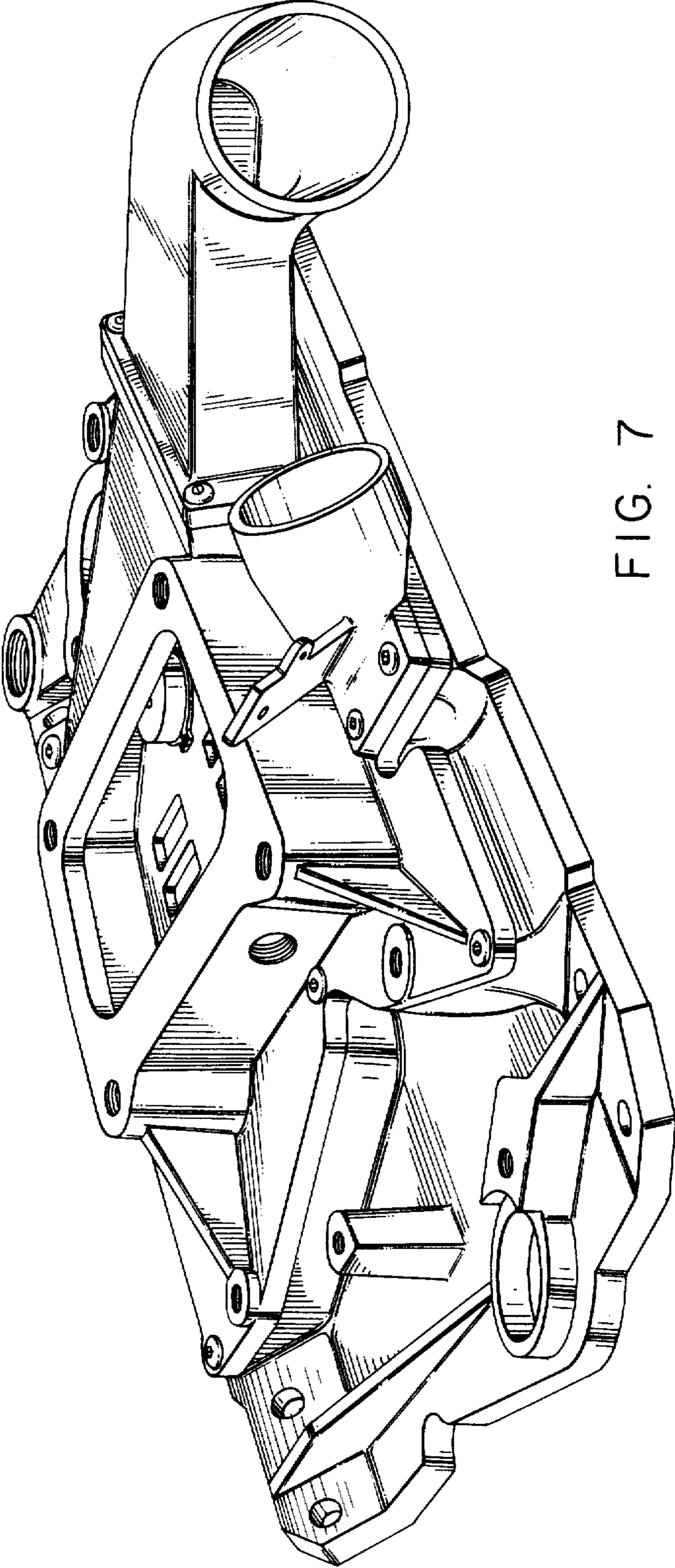


FIG. 7

FIG. 8

