

[54] **WIND TURBINE SYSTEM**

[76] Inventor: **Otto J. M. Smith**, 612 Euclid Ave., Berkeley, Calif. 94708

[**] Term: **14 Years**

[21] Appl. No.: **194,037**

[22] Filed: **Oct. 6, 1980**

[51] Int. Cl. **D15-99**

[52] U.S. Cl. **D15/1**

[58] Field of Search **D15/1; 416/132 B, 196 A**

[56] **References Cited**

U.S. PATENT DOCUMENTS

- D. 209,349 11/1967 Fleming **D15/1**
- 1,516,472 11/1924 Beaty **416/132 B**
- 4,319,865 3/1982 Richard **416/196 A**

FOREIGN PATENT DOCUMENTS

- 1037243 9/1953 France **416/132 B**

Primary Examiner—A. Hugo Word
Attorney, Agent, or Firm—Flehr, Hohbach, Test, Albritton & Herbert

[57] **CLAIM**

The ornamental design for a wind turbine system, as shown.

DESCRIPTION

FIG. 1 is a perspective view of a wind turbine embodying my new design.

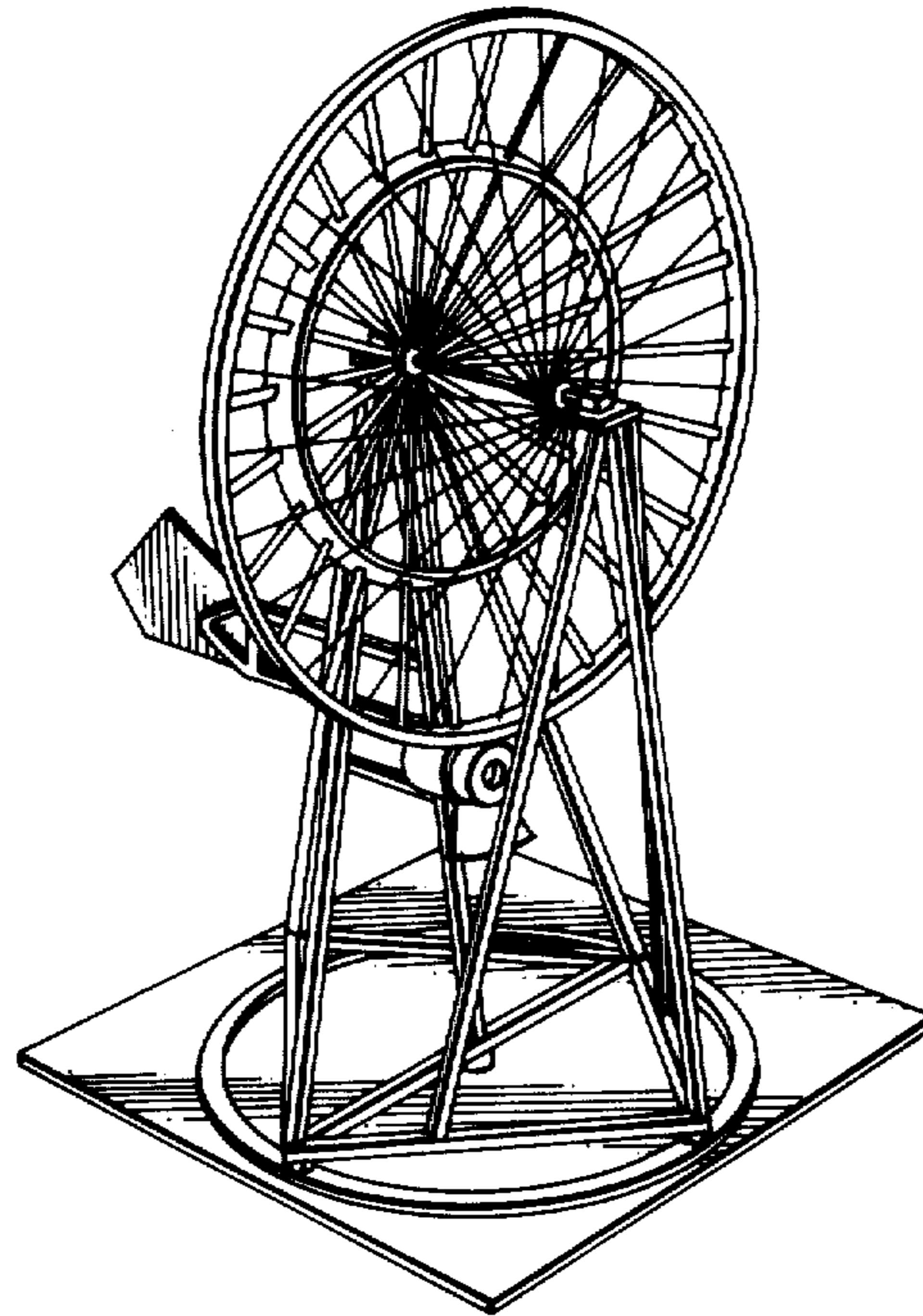
FIG. 2 is a front elevation view of the wind turbine shown in FIG. 1.

FIG. 3 is a right side elevation view of the wind turbine shown in FIG. 1.

FIG. 4 is a rear elevation view of the wind turbine shown in FIG. 1.

FIG. 5 is a left side elevation view of the wind turbine shown in FIG. 1.

FIG. 6 is a top view of the wind turbine shown in FIG. 1.



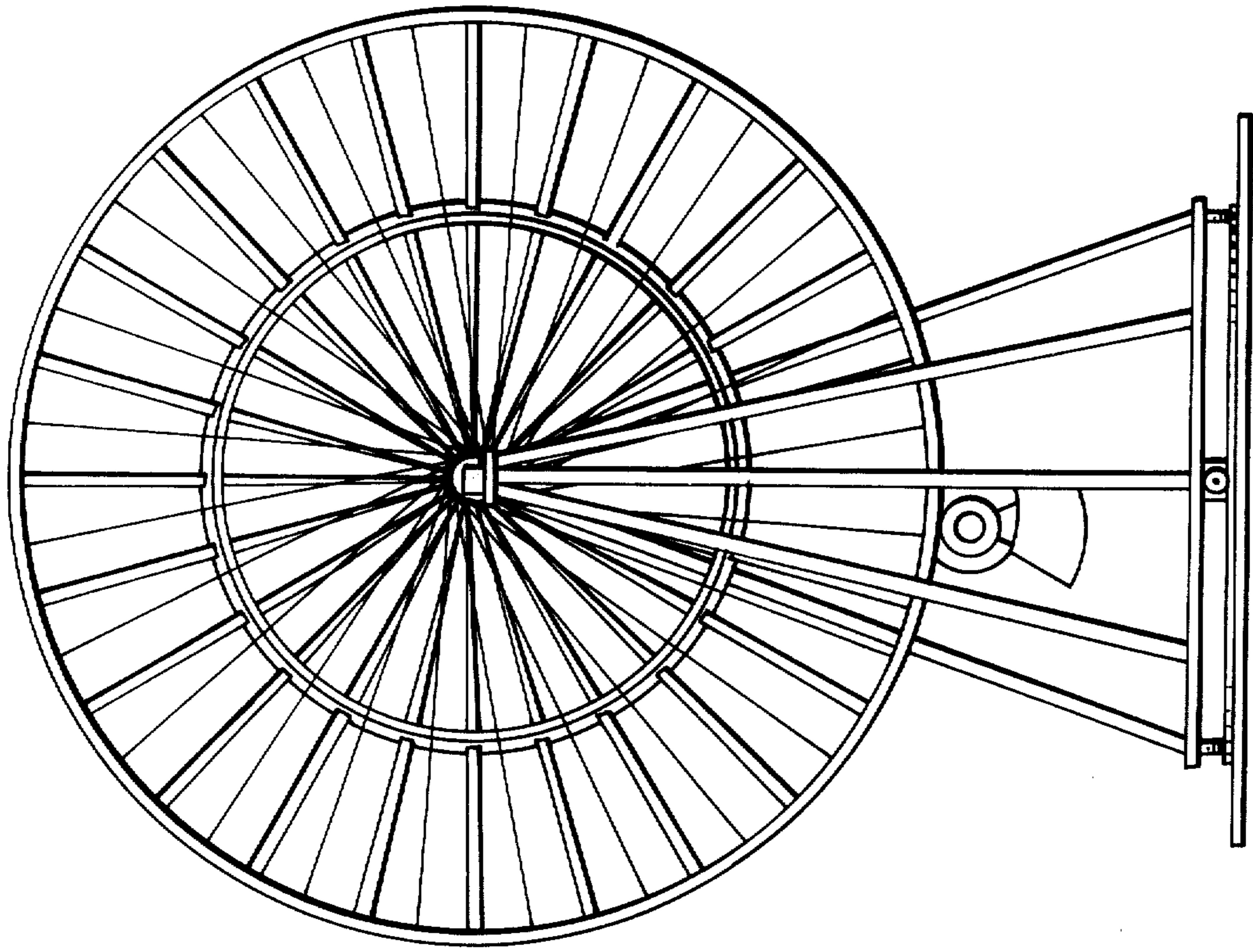


FIG. 2

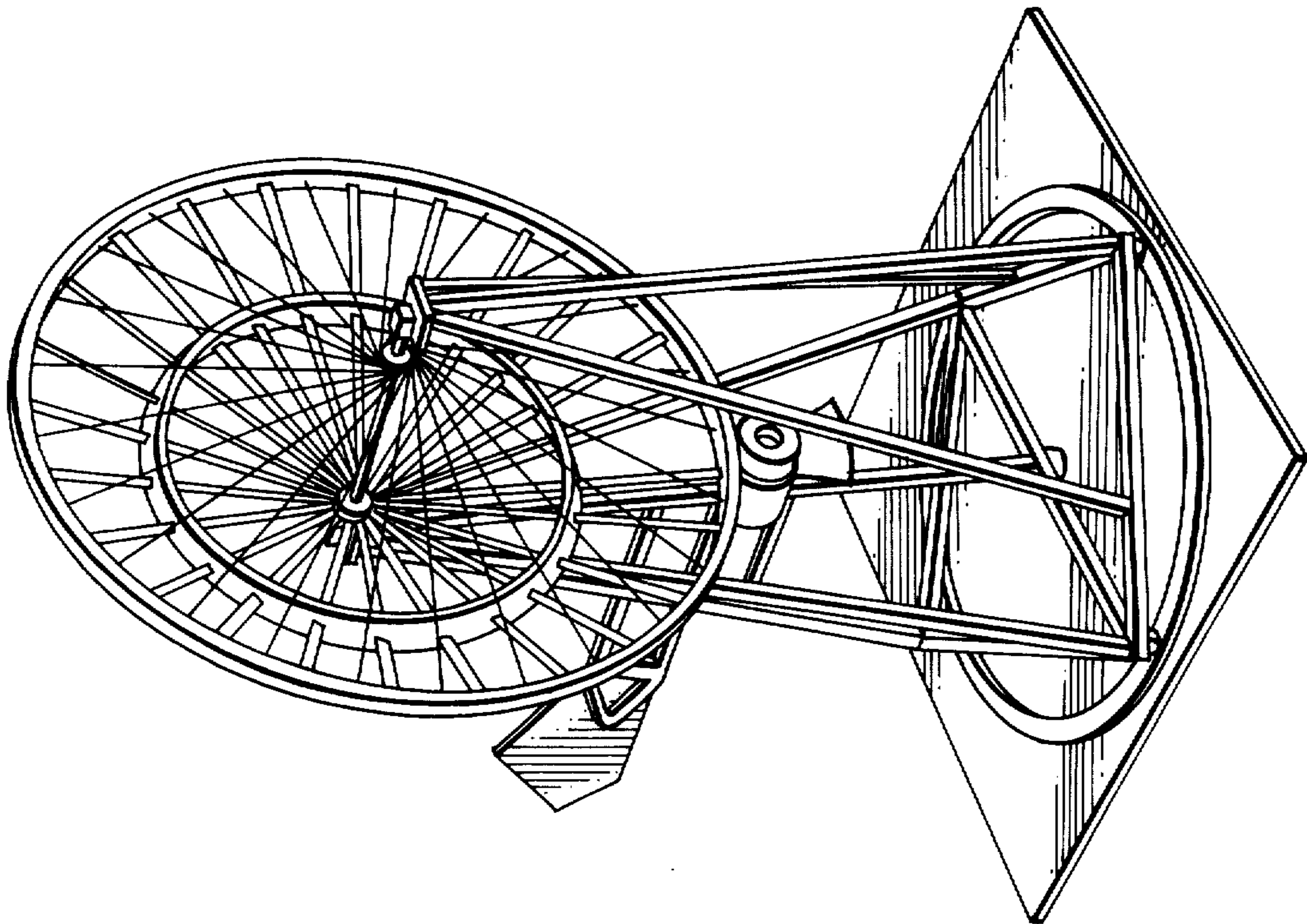


FIG. 1

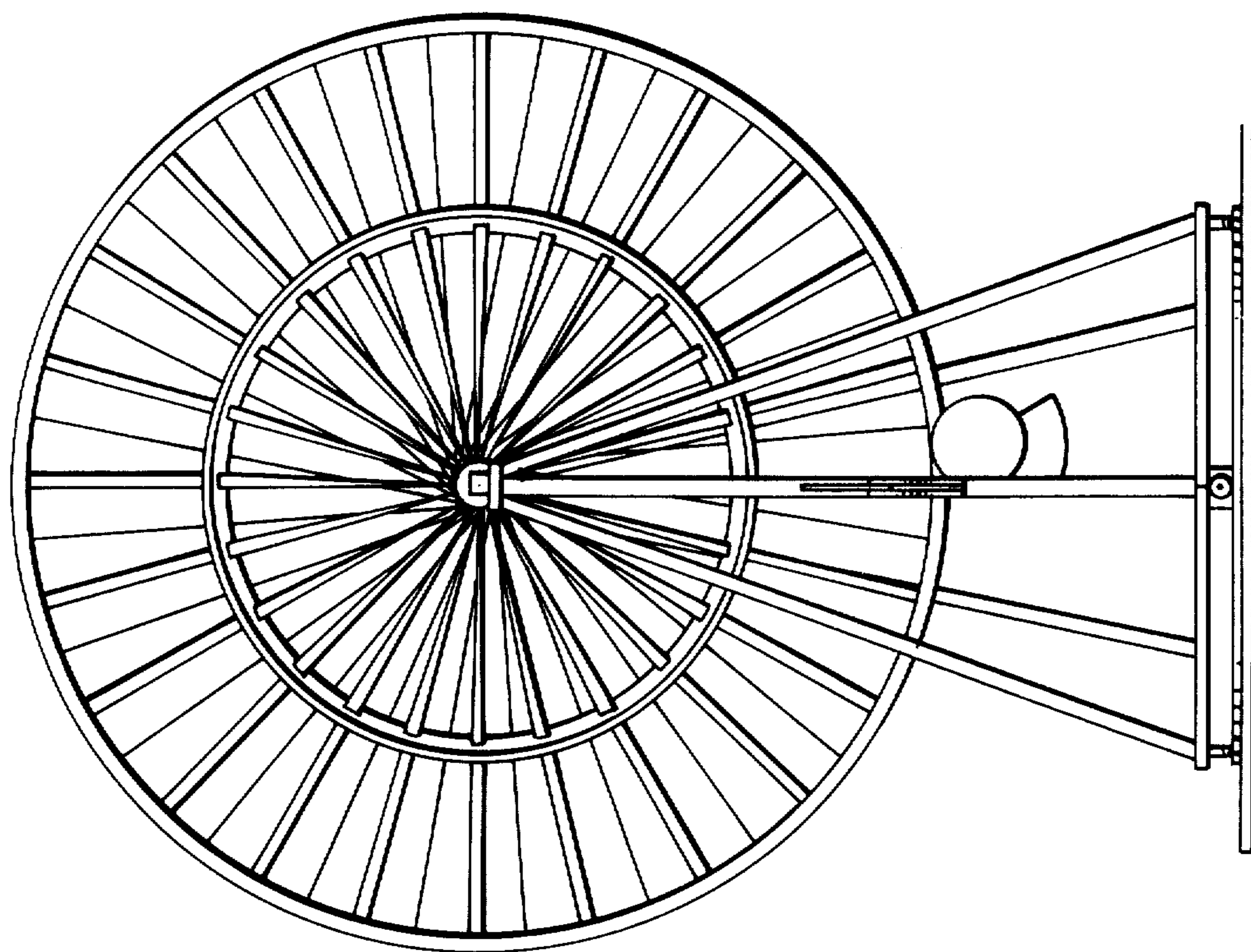


FIG. 4

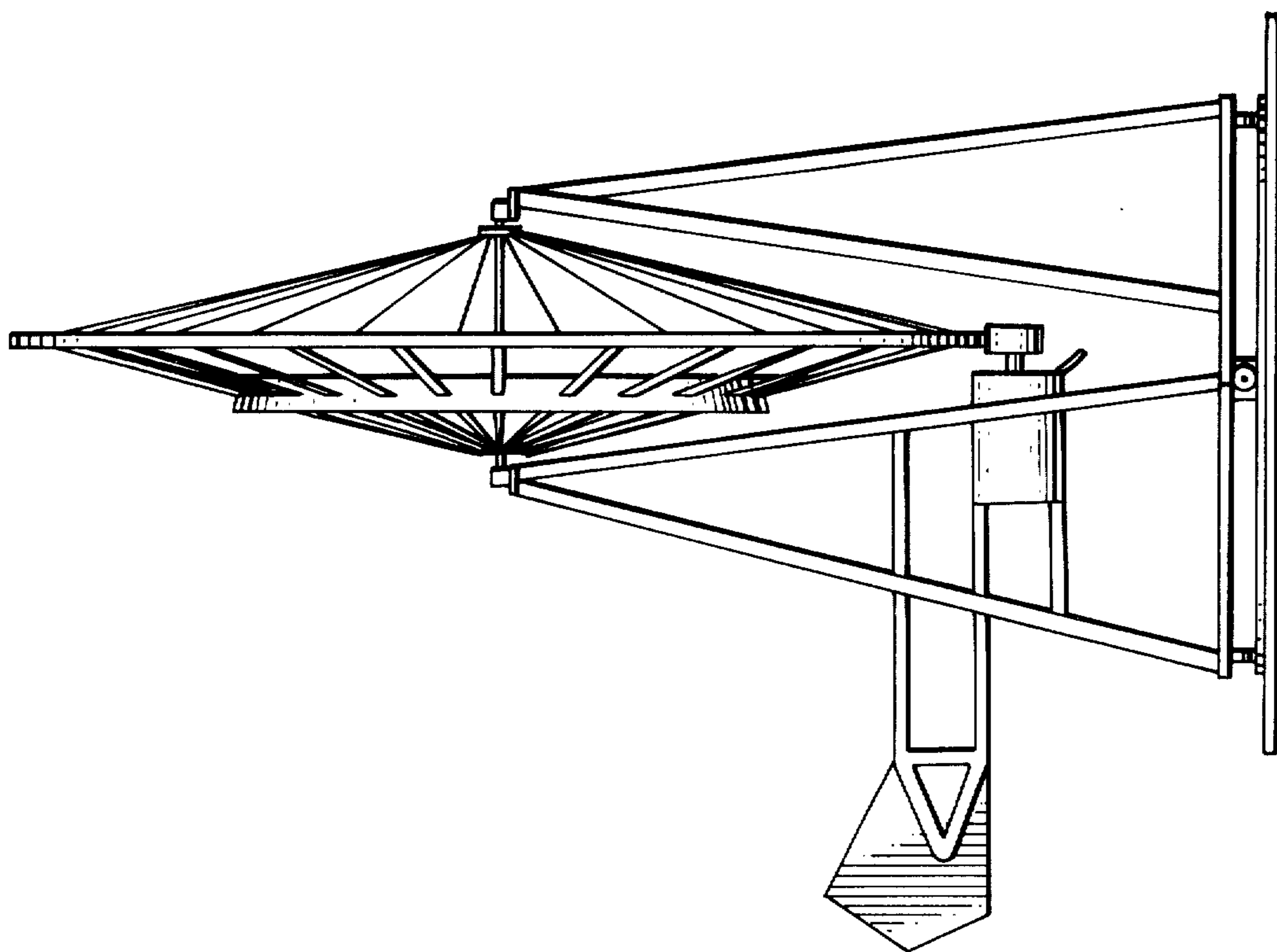


FIG. 3

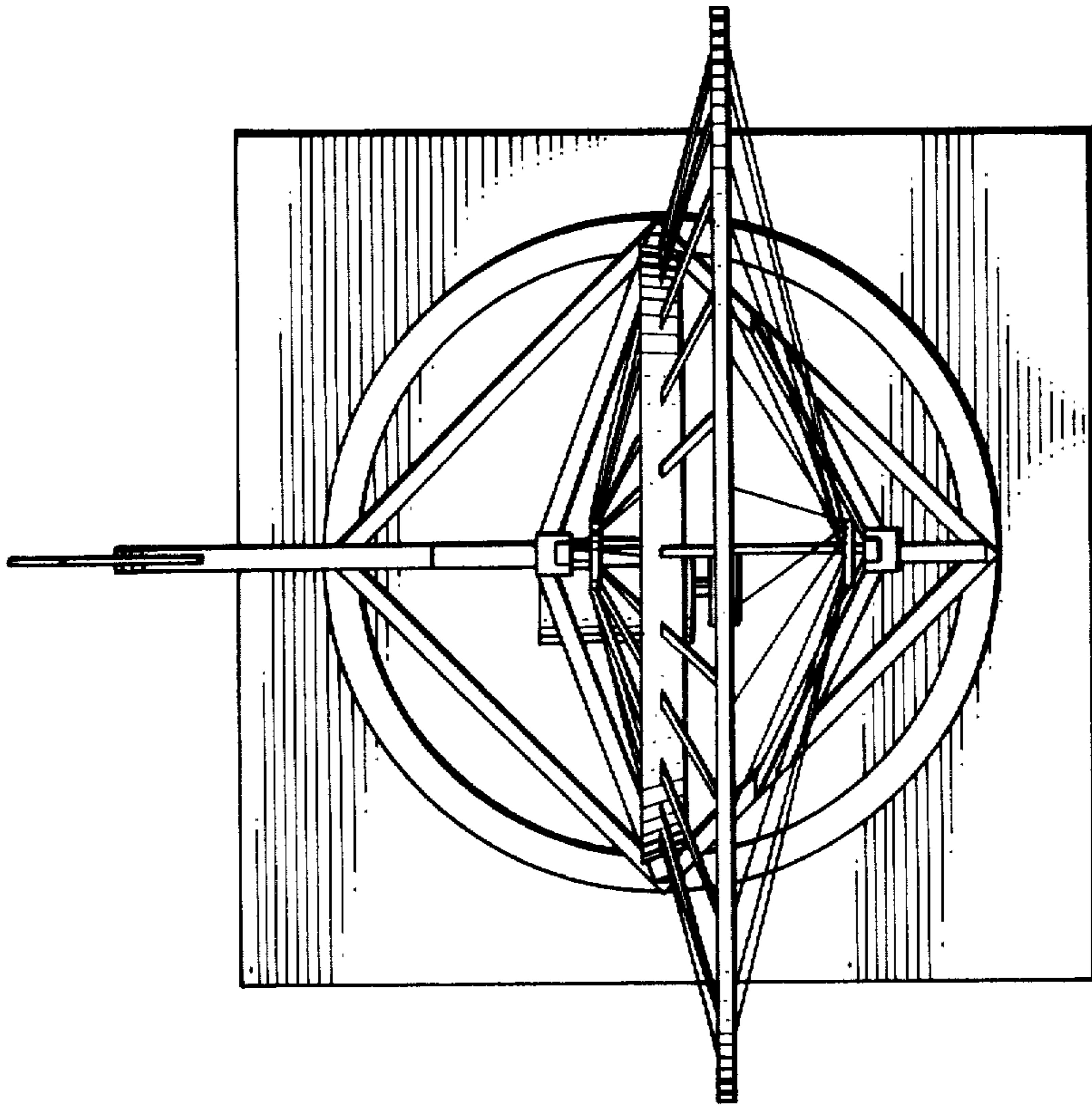


FIG. 6

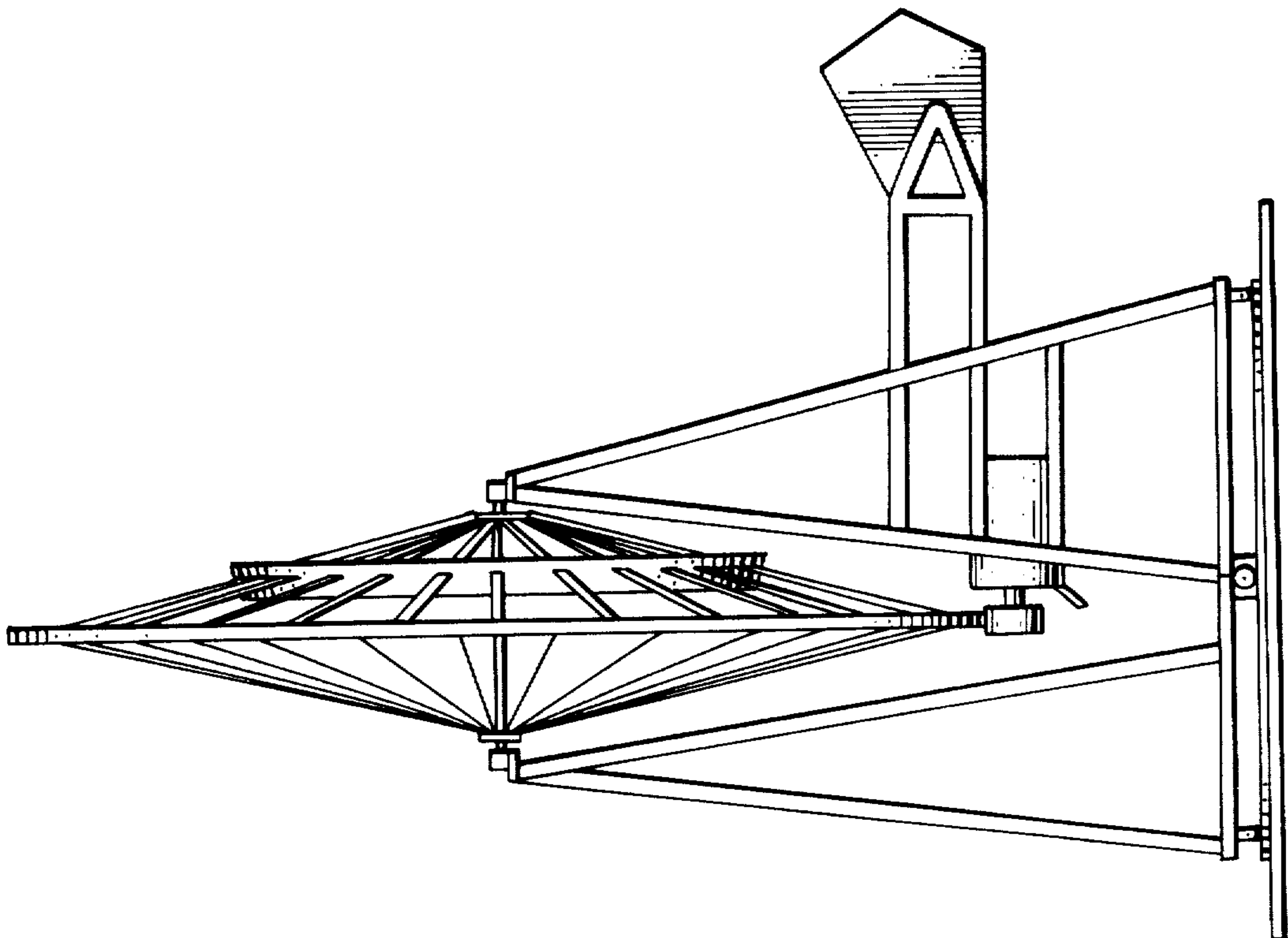


FIG. 5