

[54] **FACSIMILE TRANSMITTER AND RECEIVER**

[75] Inventors: **Fumiyo Kojima, Hiratsuka; Manzo Yoshihama, Yokohama, both of Japan**

[73] Assignee: **Ricoh Company, Ltd., Tokyo, Japan**

[\*\*] Term: **7 Years**

[21] Appl. No.: **233,400**

[22] Filed: **Feb. 11, 1981**

[30] **Foreign Application Priority Data**

Aug. 11, 1980 [JP] Japan ..... 55-032812

[51] Int. Cl. .... **D14-01; D14-03**

[52] U.S. Cl. .... **D14/94; D16/31**

[58] Field of Search ..... **D14/1, 94; D16/30, 31; 358/256, 286**

[56] **References Cited**

**U.S. PATENT DOCUMENTS**

- D. 227,122 6/1973 Clowe ..... D14/94
- D. 254,072 1/1980 Saito ..... D14/94

D. 263,478 3/1982 Yoshihama ..... D16/30

**FOREIGN PATENT DOCUMENTS**

55-37013 3/1980 Japan ..... 358/286

**OTHER PUBLICATIONS**

"Melfas 510", by Mitsuda et al., *Mitsubishi Denki Giho*, vol. 53, #10, 10-79, p. 759, FIG. #1.

*Primary Examiner*—Jane E. Corrigan  
*Attorney, Agent, or Firm*—Guy W. Shoup

[57] **CLAIM**

The ornamental design for a facsimile transmitter and receiver, as shown and described.

**DESCRIPTION**

FIG. 1 is a front, top and left side perspective view a facsimile transmitter and receiver, showing our new design;

FIG. 2 is a front elevational view thereof;

FIG. 3 is a left side elevational view thereof;

FIG. 4 is a right side elevational view thereof;

FIG. 5 is a top plan view thereof;

FIG. 6 is a rear elevational view thereof; and

FIG. 7 is bottom plan view thereof.

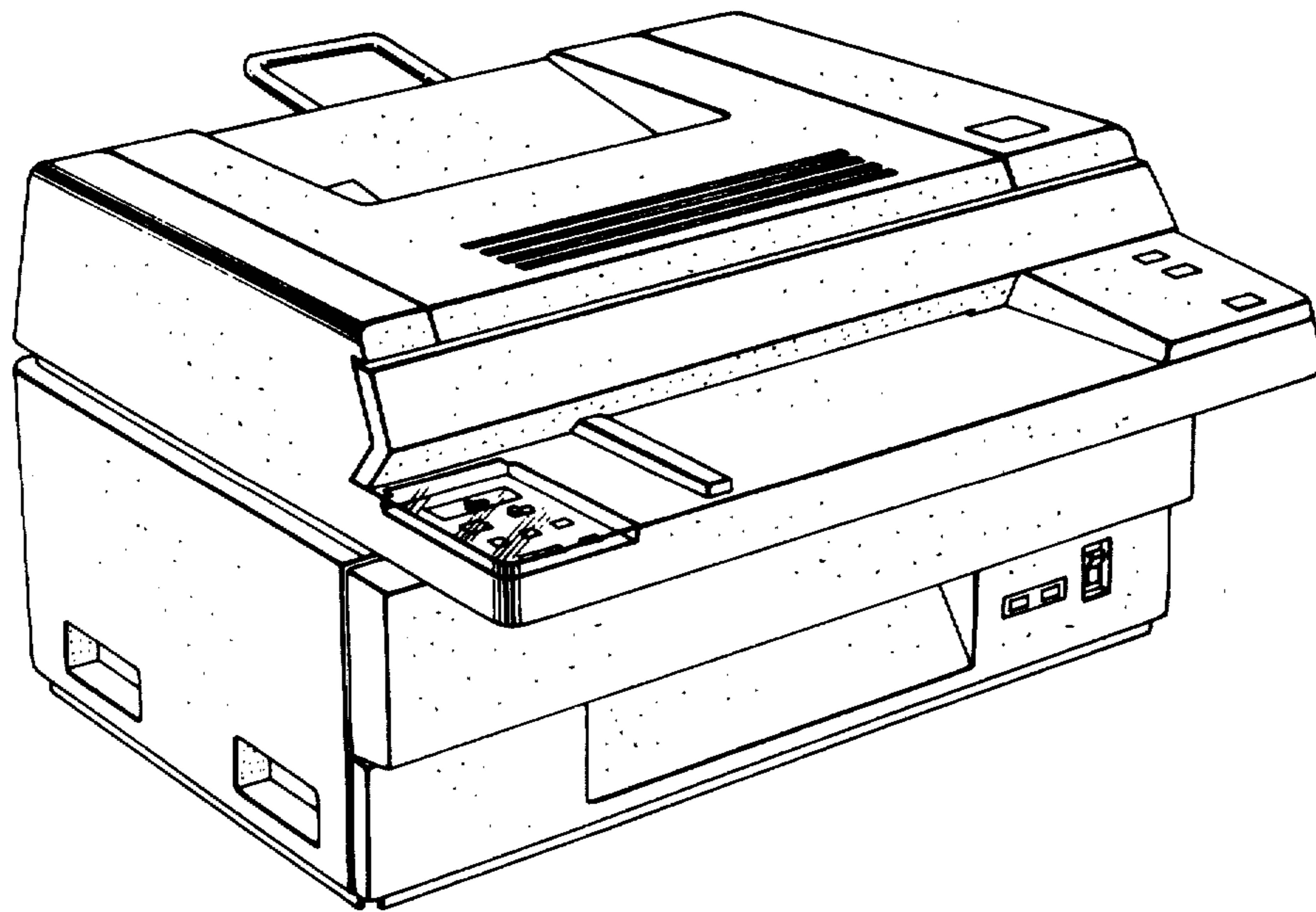


FIG. 1

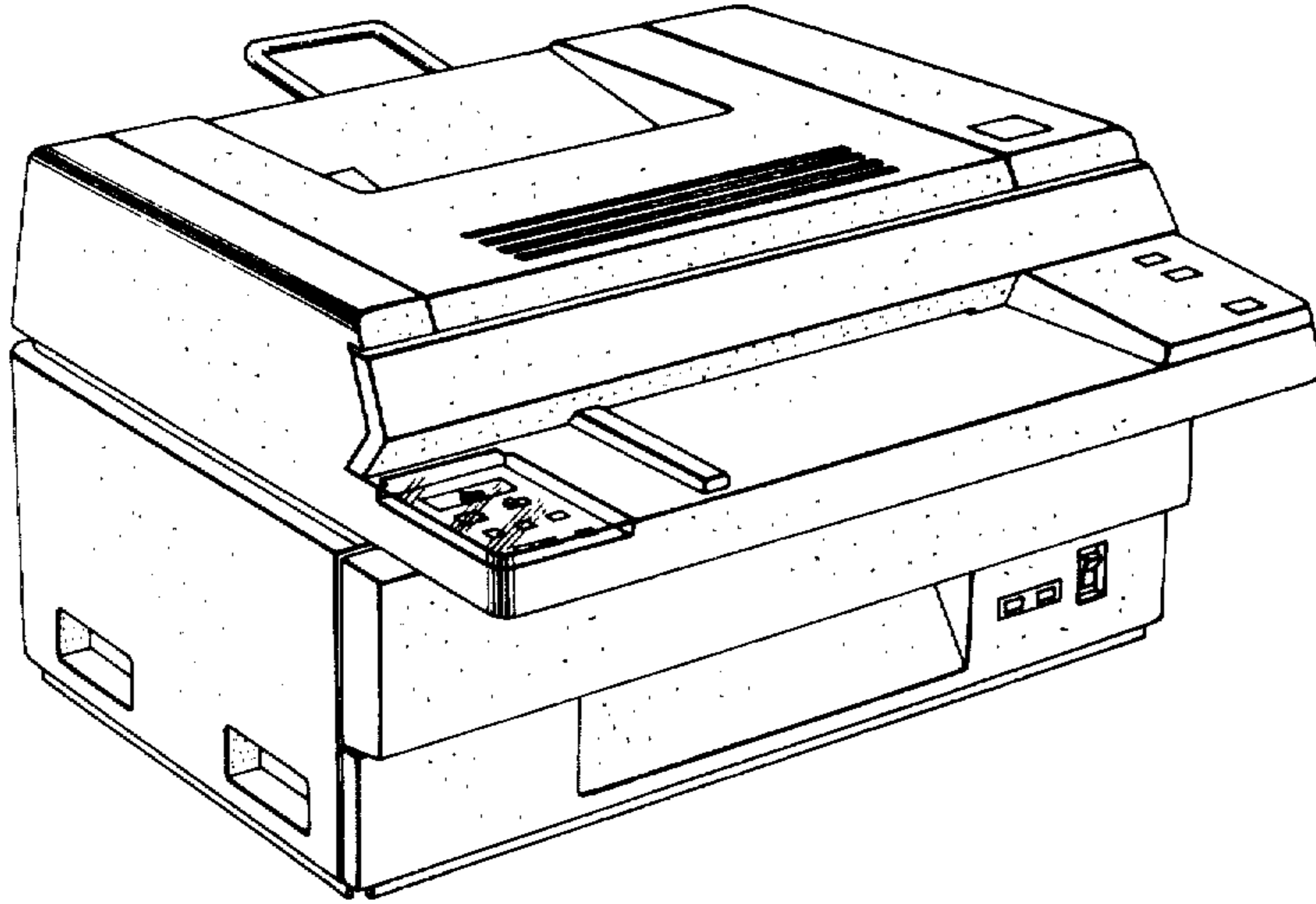


FIG. 2

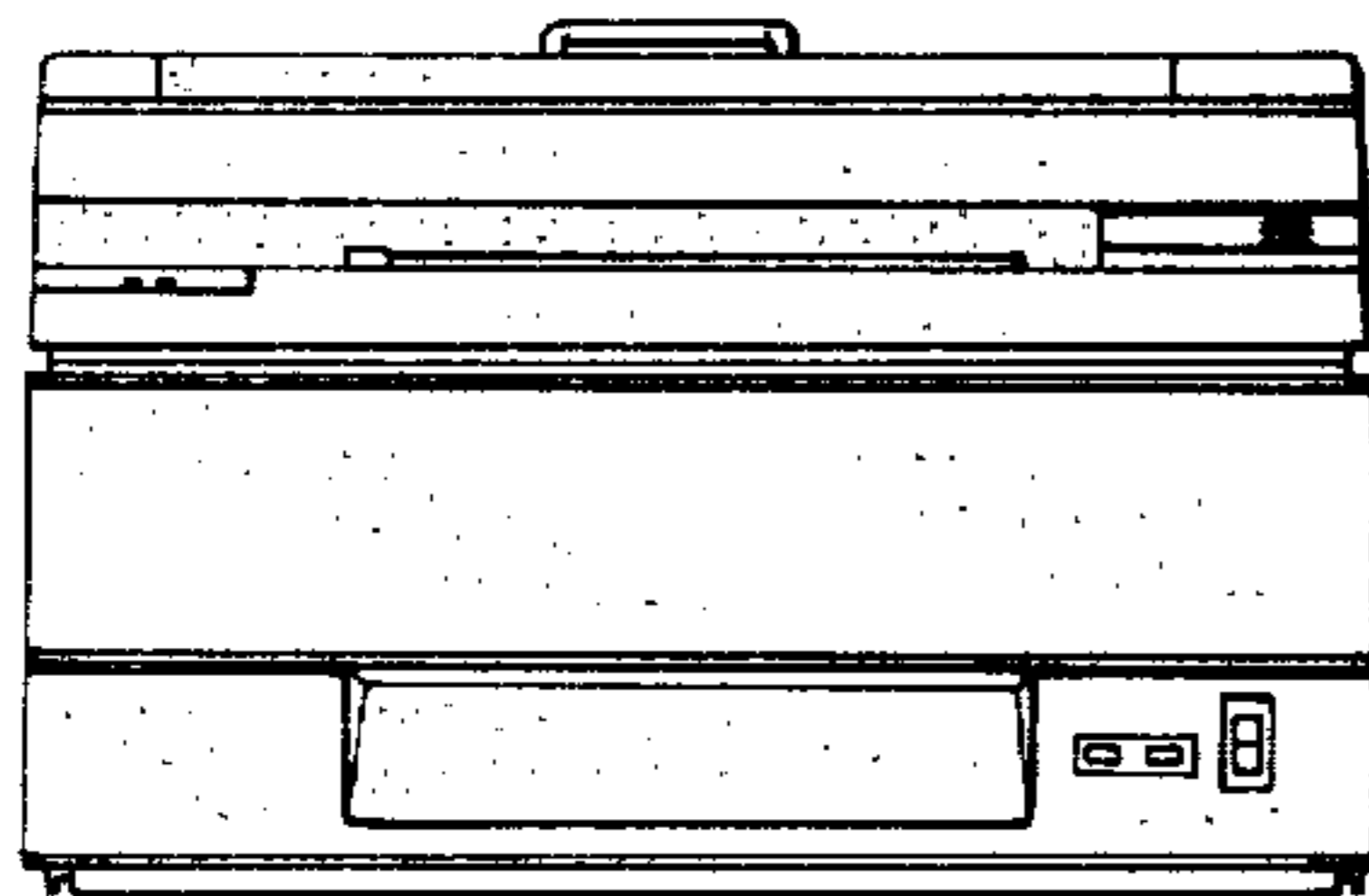


FIG. 3

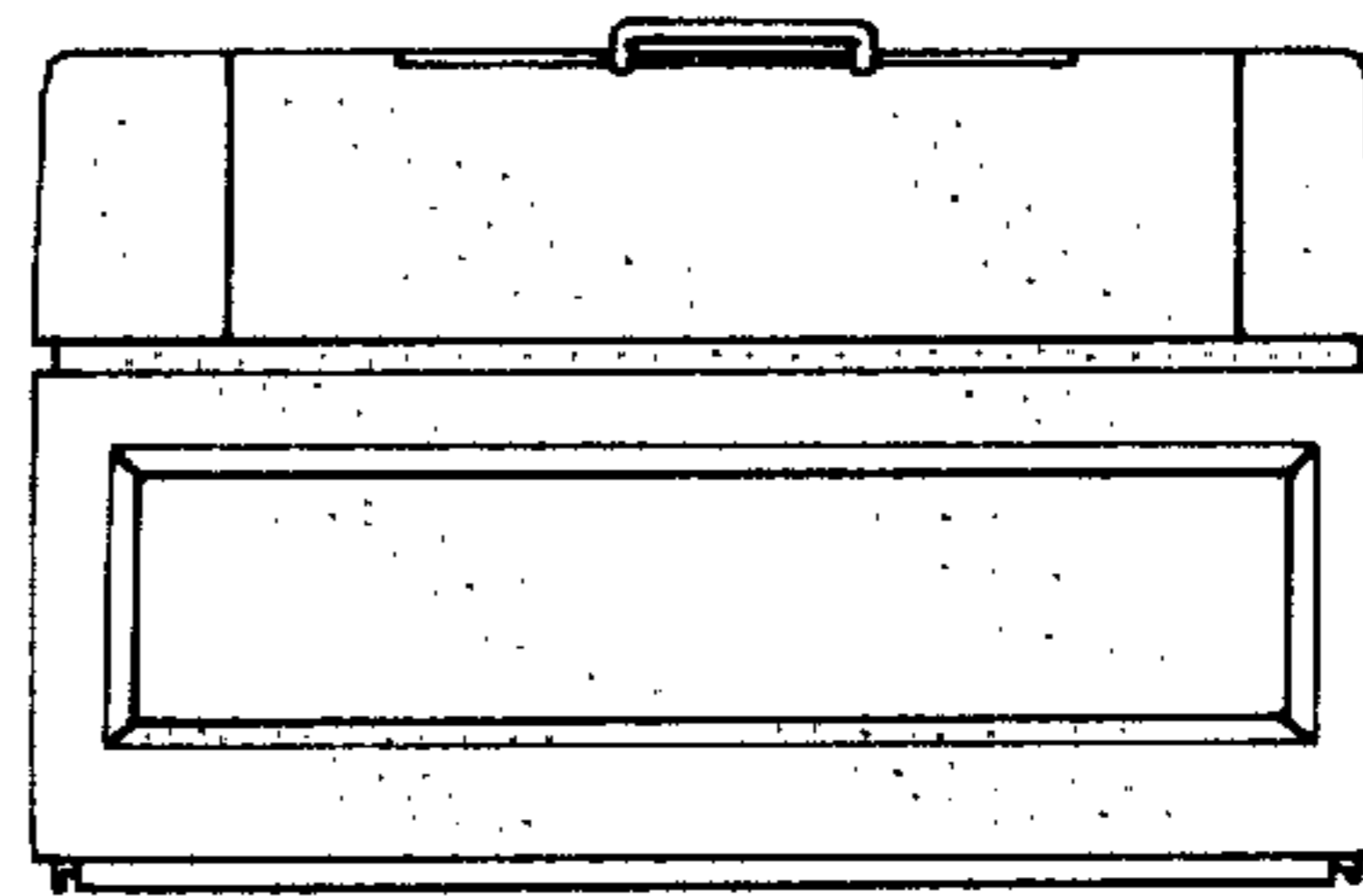


FIG. 4

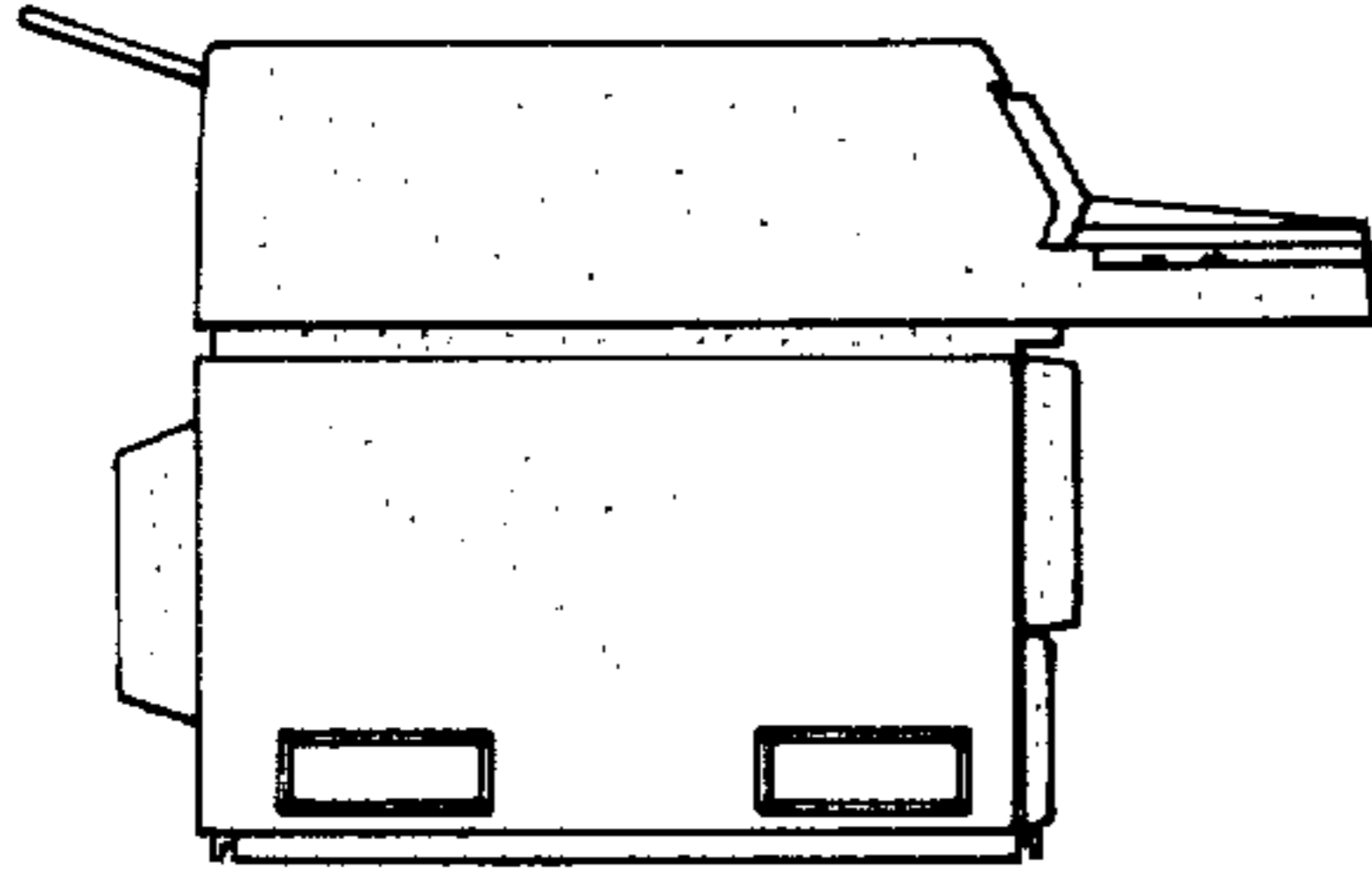


FIG. 5

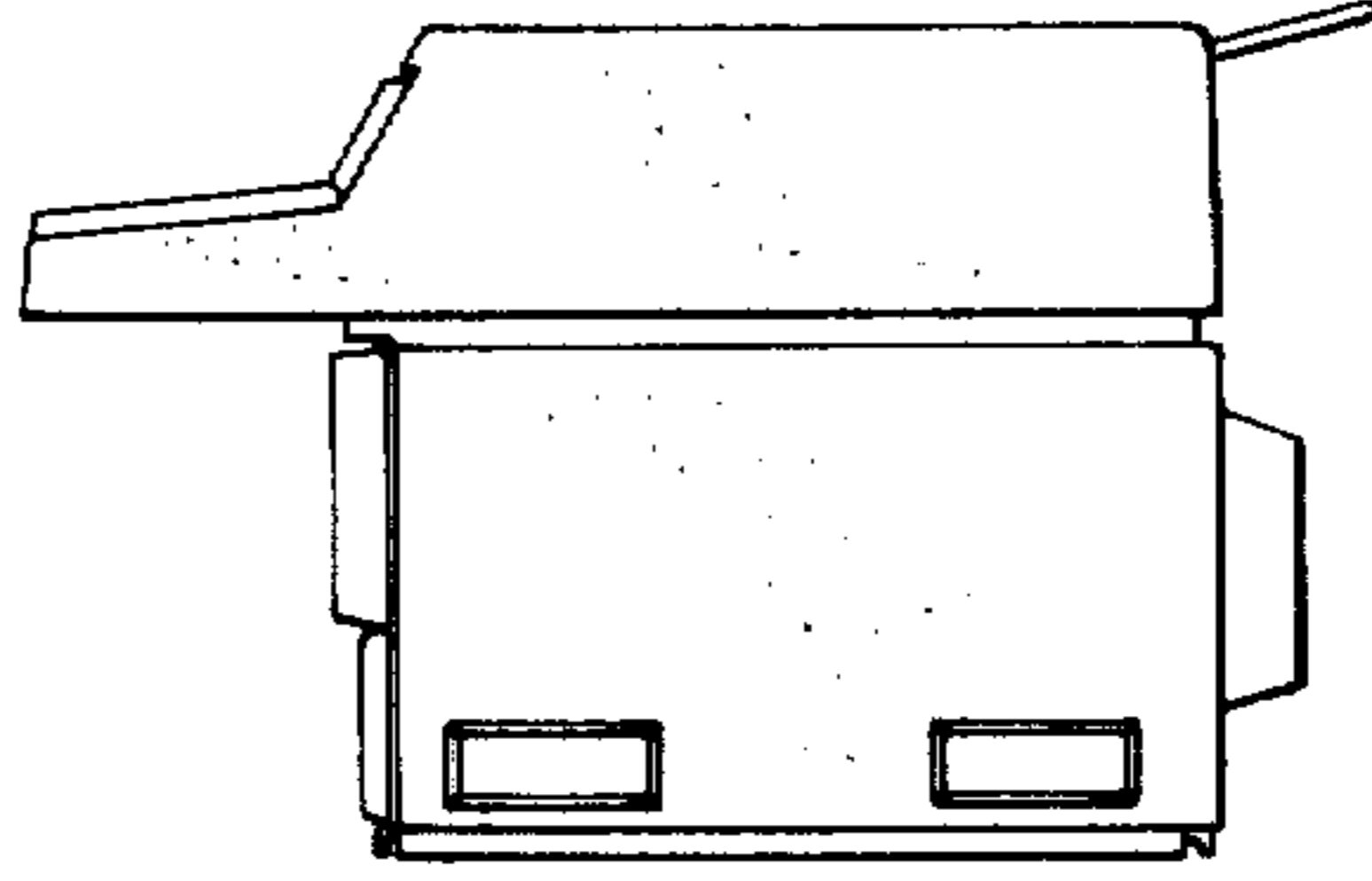


FIG. 6

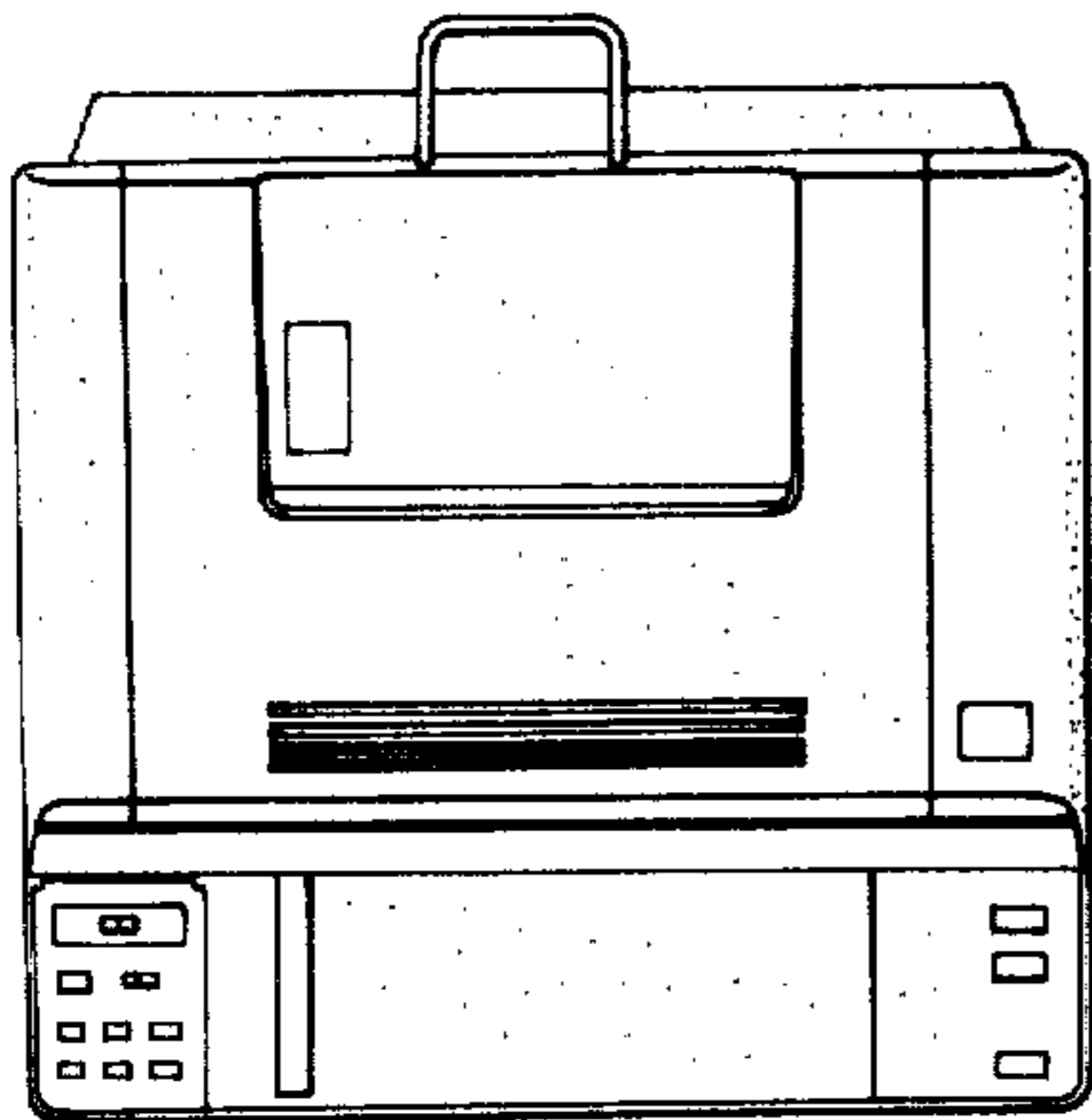


FIG. 7

