

[54] VIDEO TELEVISION RECEIVER
 [75] Inventor: Osamu Sawaya, Tokyo, Japan
 [73] Assignee: Nippon Interphone Co. Ltd., Tokyo, Japan
 [**] Term: 14 Years
 [21] Appl. No.: 179,267
 [22] Filed: Aug. 18, 1980

[30] Foreign Application Priority Data
 Feb. 22, 1980 [JP] Japan 55-6552
 [51] Int. Cl. D14-03
 [52] U.S. Cl. D14/54
 [58] Field of Search D14/54; 179/178, 179, 179/2 TV; 358/85

[56] References Cited
 U.S. PATENT DOCUMENTS
 D. 213,108 1/1969 Dreyfuss et al. D14/54

D. 224,117 7/1972 Genaro et al. D14/54
 D. 224,233 7/1972 Fujita D14/52
 D. 225,113 11/1972 Genaro et al. D14/54
 D. 232,560 8/1974 Maddock et al. D14/54
 D. 237,801 11/1975 Genaro et al. D14/54

Primary Examiner—Bernard Ansher

[57] CLAIM

The ornamental design for a video television receiver, substantially as shown.

DESCRIPTION

FIG. 1 is a front view of a video television receiver, showing my new design;
 FIG. 2 is a top plan view thereof;
 FIG. 3 is a bottom plan view thereof;
 FIG. 4 is a left side view thereof;
 FIG. 5 is a right side view thereof;
 FIG. 6 is a rear view thereof;
 FIG. 7 is a cross-sectional view on the line 7—7 of FIG. 4; and
 FIG. 8 is a cross-sectional view on the line 8—8 of FIG. 1.

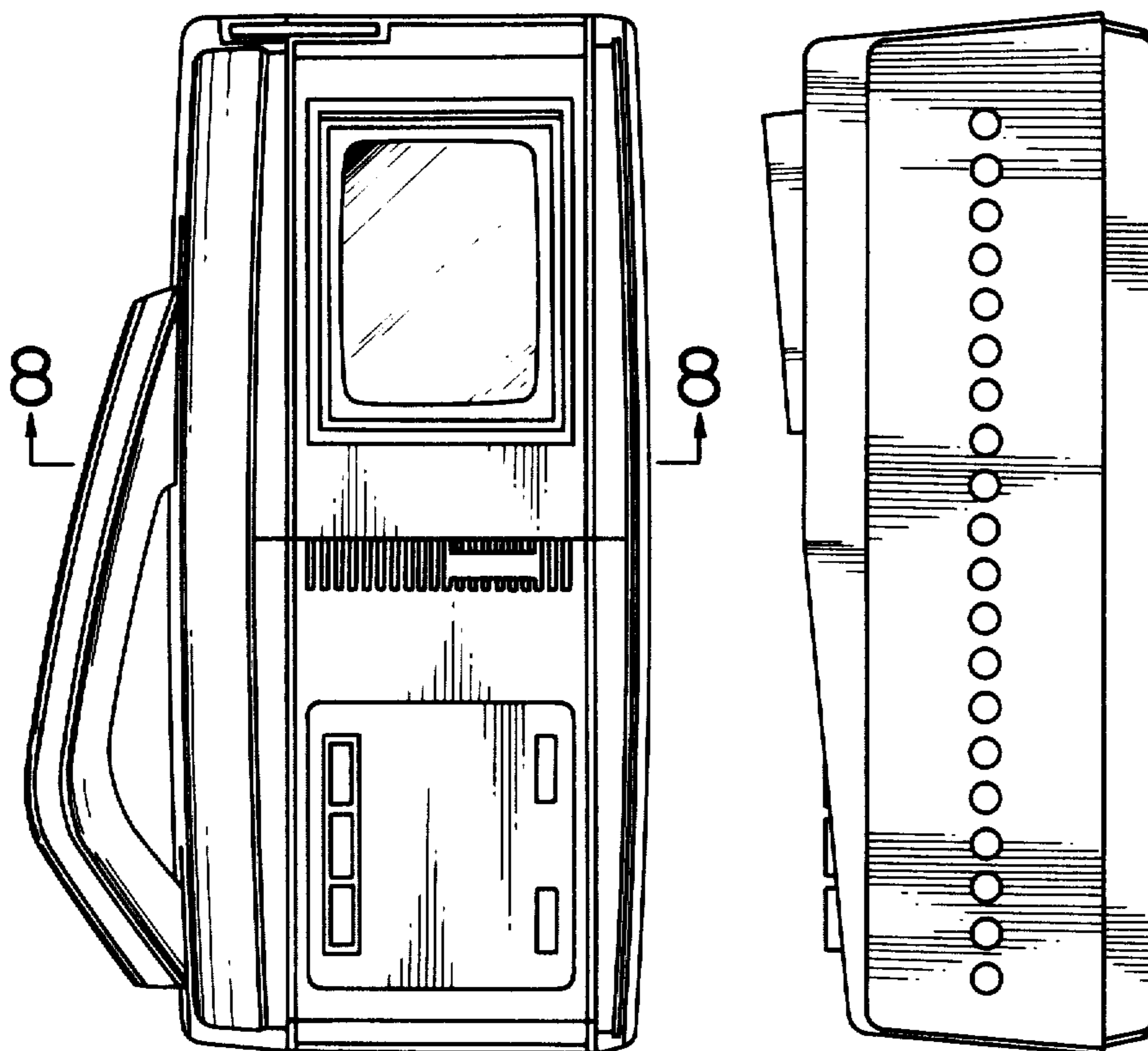


FIG. 2

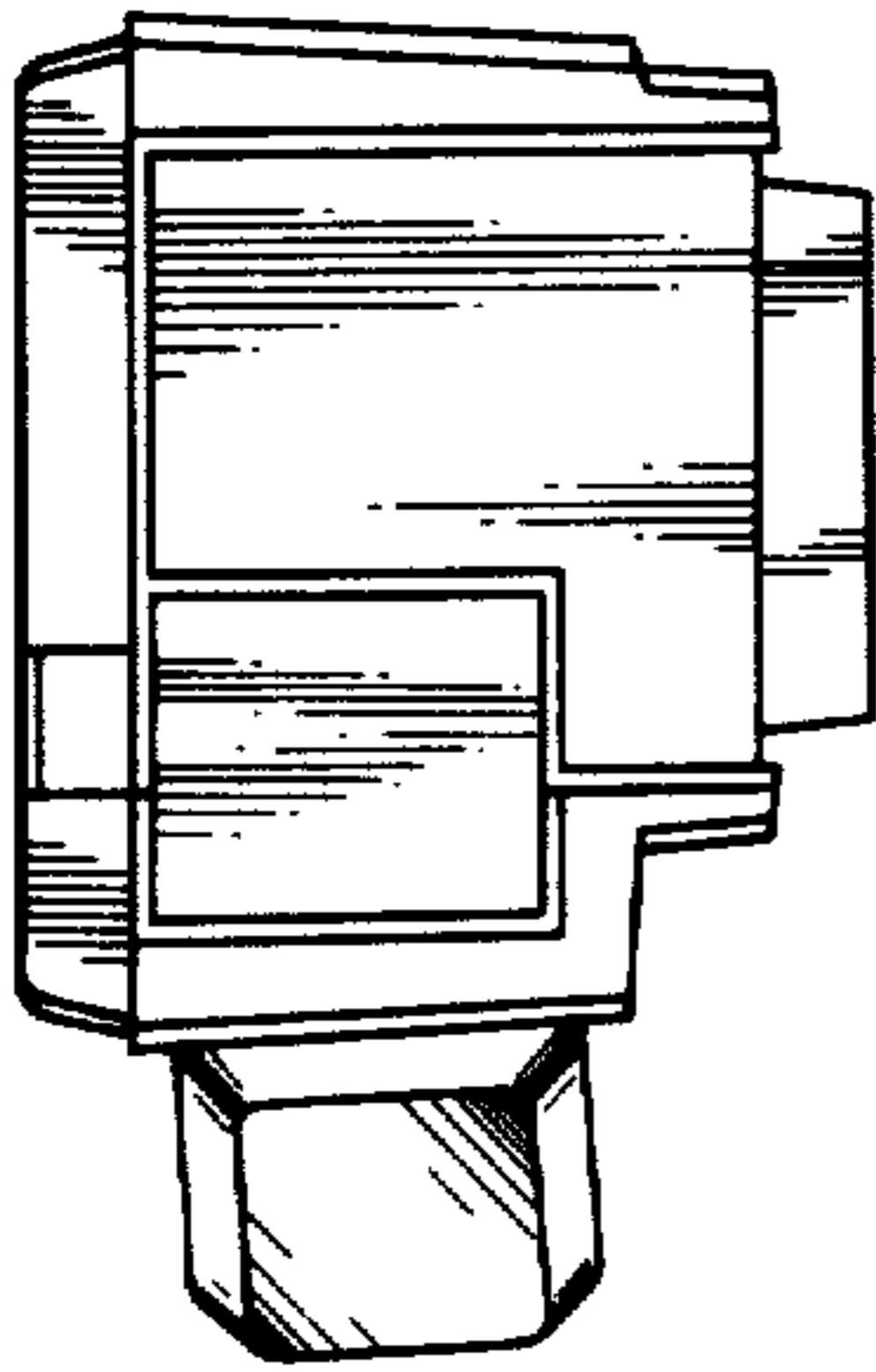


FIG. 3

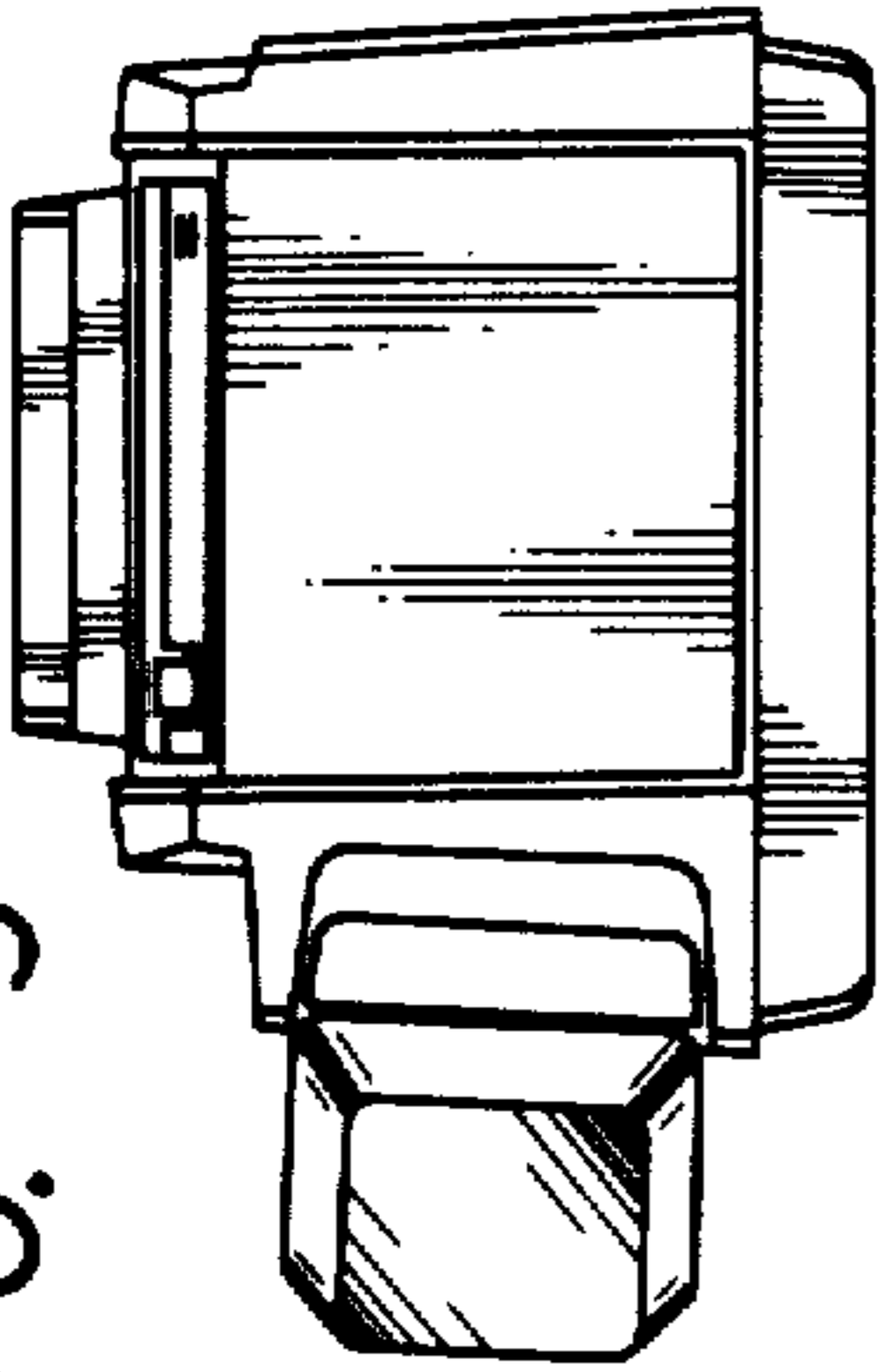


FIG. 4

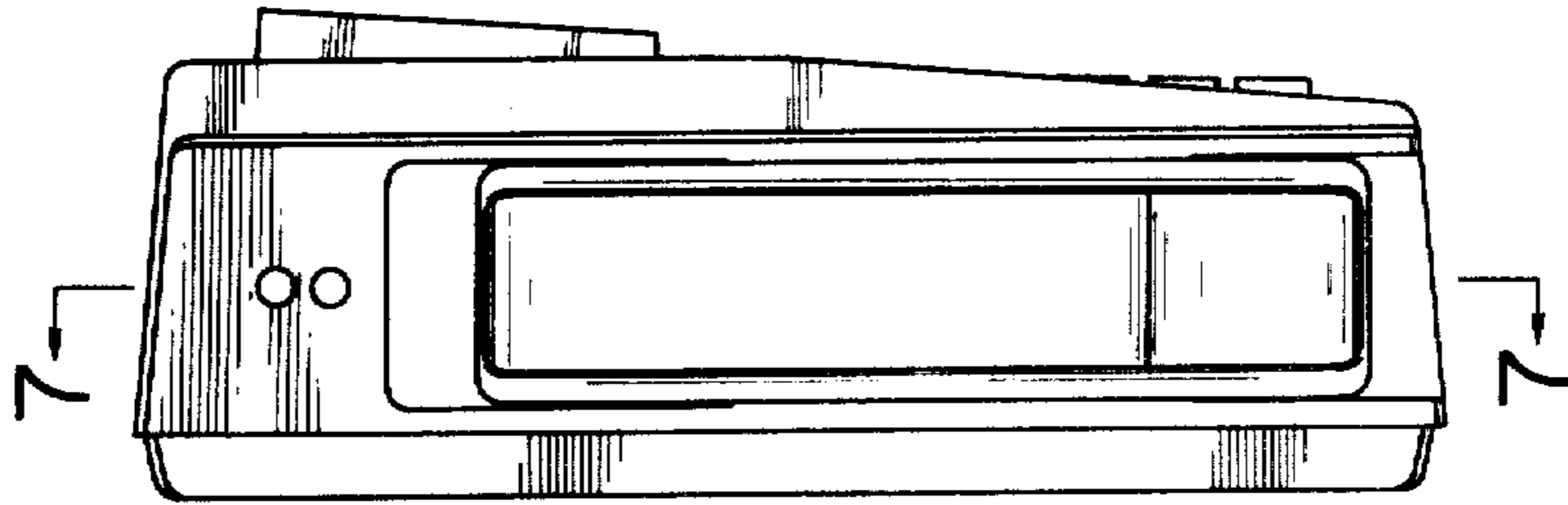


FIG. 1

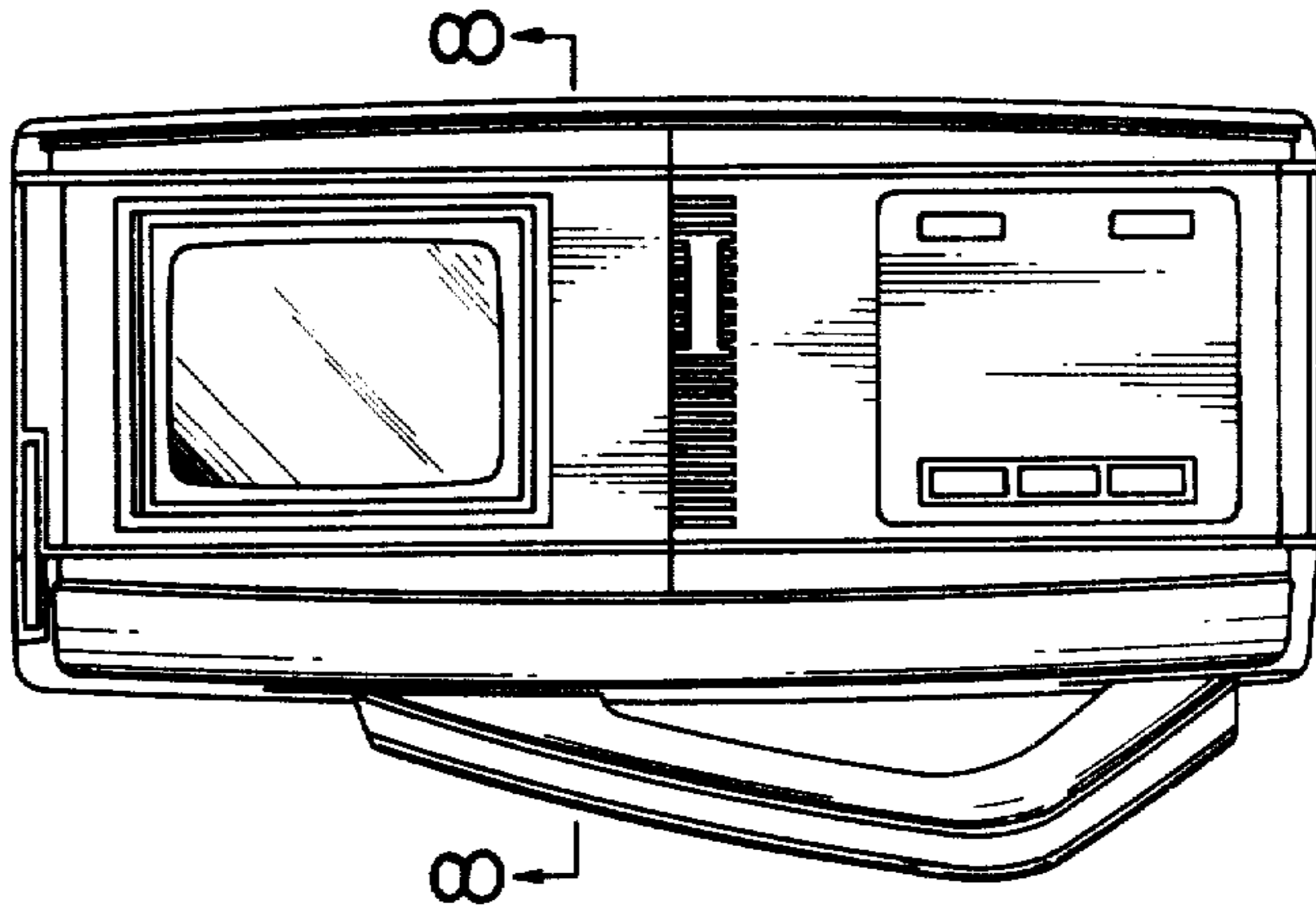


FIG. 5

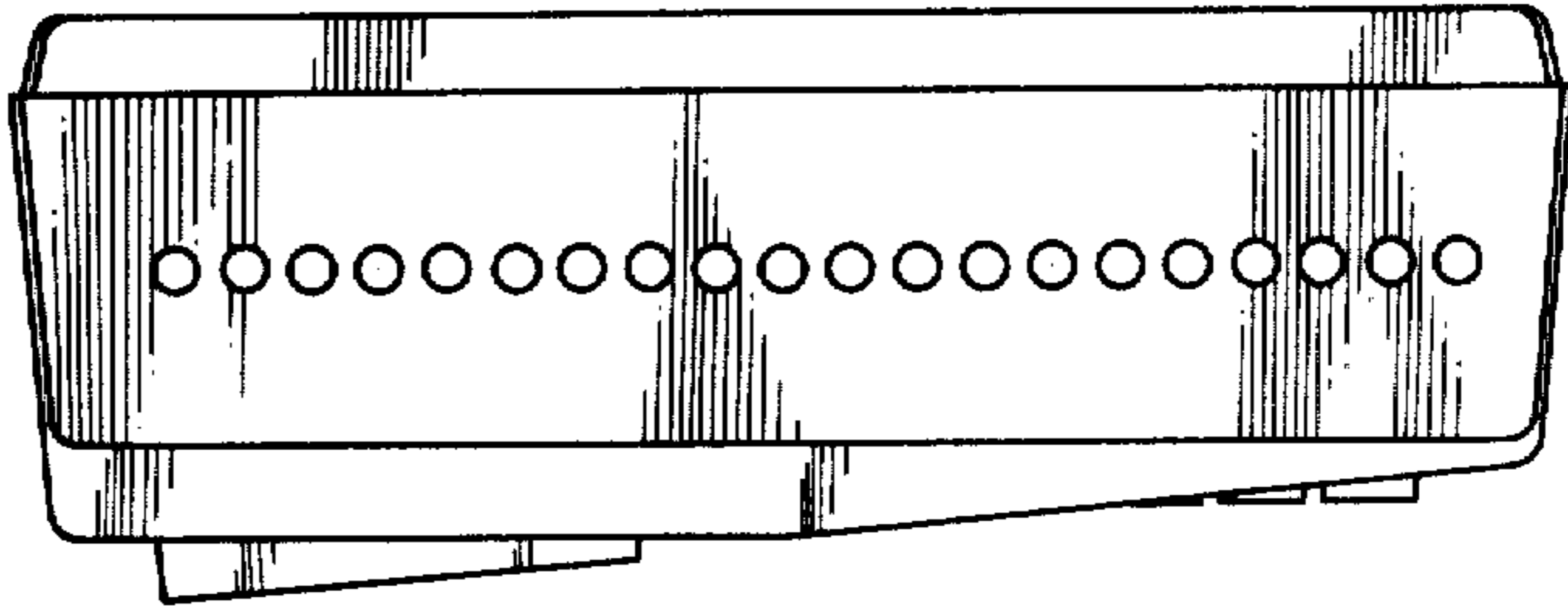


FIG. 6

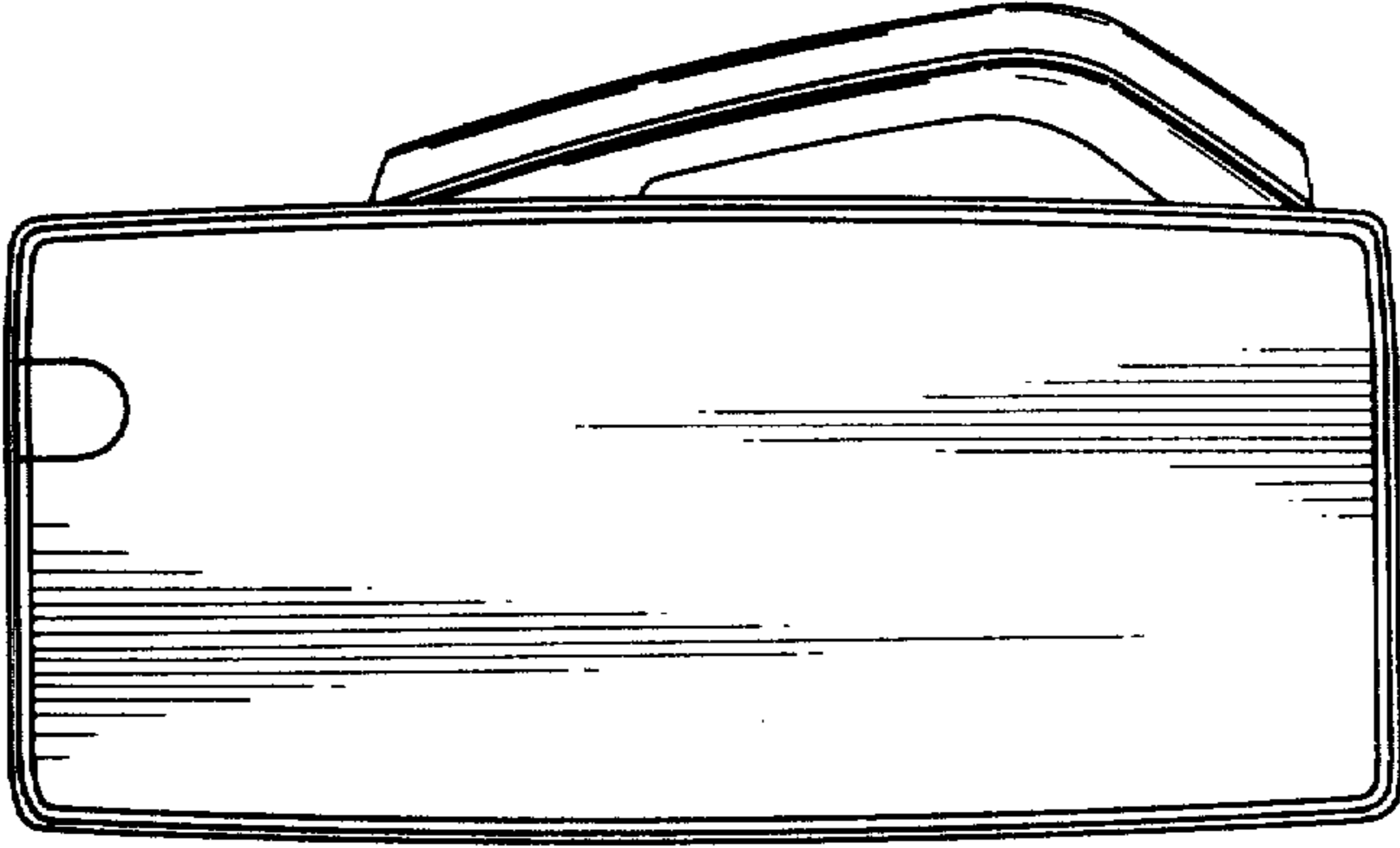


FIG. 7

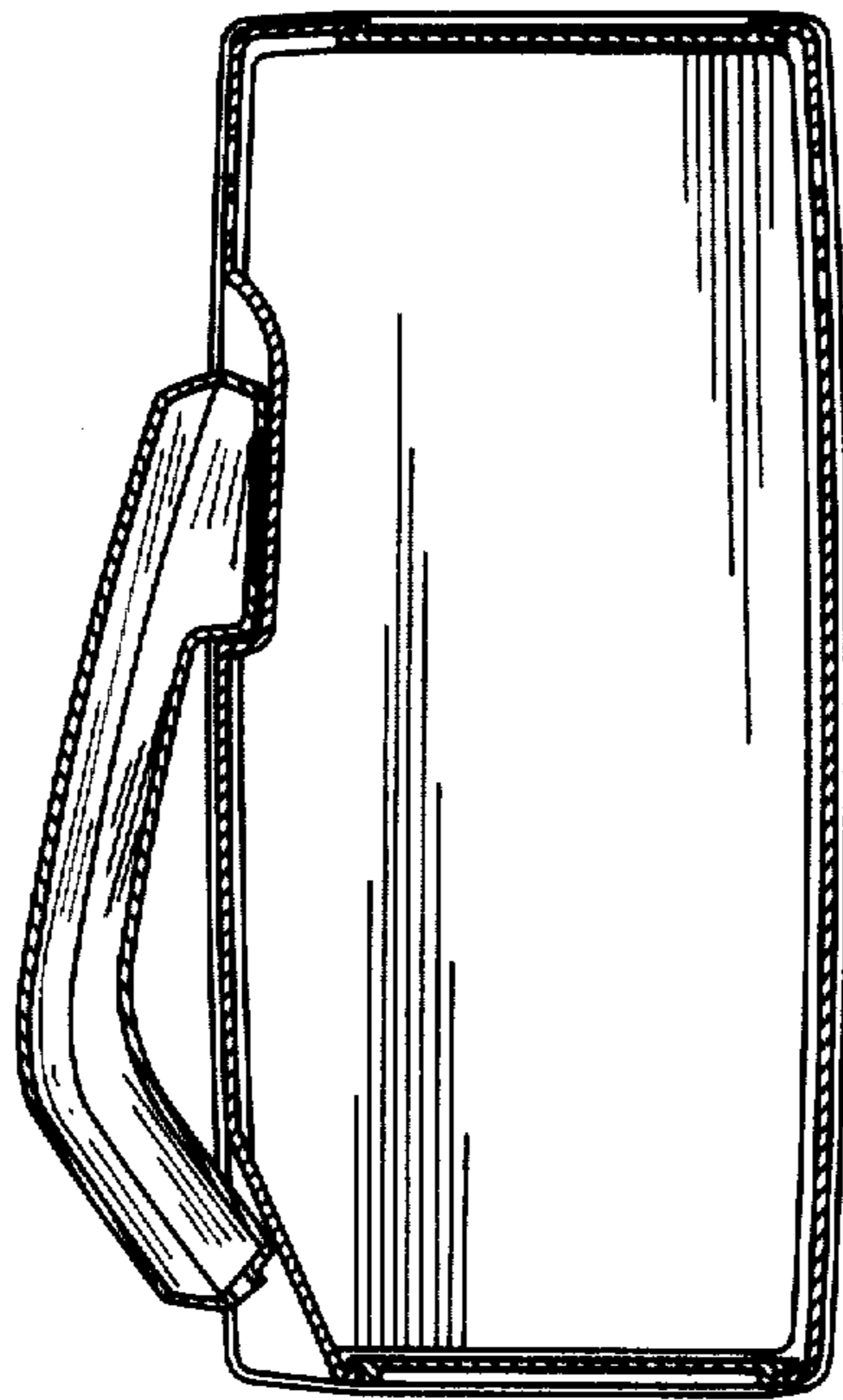


FIG. 8

