

- [54] FIRE TRUCK CREW CAB
- [75] Inventors: Frederick A. Robinett; James M. Shook, both of San Jose, Calif.
- [73] Assignee: FMC Corporation, Chicago, Ill.
- [**] Term: 14 Years
- [21] Appl. No.: 189,876
- [22] Filed: Sep. 23, 1980
- [51] Int. Cl. D12-13
- [52] U.S. Cl. D12/13
- [58] Field of Search D12/13, 102, 156; 169/24; 280/4

[56] References Cited

U.S. PATENT DOCUMENTS

| | | | | |
|------------|---------|--------------|-------|---------|
| D. 214,036 | 5/1969 | Reinarts | | D12/156 |
| D. 229,554 | 12/1973 | Bell | | D12/102 |
| D. 237,370 | 10/1975 | Johnson | | D12/13 |
| D. 248,846 | 8/1978 | Stage et al. | | D12/156 |

Primary Examiner—James M. Gandy
Attorney, Agent, or Firm—A. J. Moore; R. B. Megley

[57] CLAIM

The ornamental design for a fire truck crew cab, as shown and described.

DESCRIPTION

FIG. 1 is a left front perspective view of the fire truck crew cab showing my new design;
 FIG. 2 is a left rear perspective view thereof;
 FIG. 3 is a right front perspective view thereof;
 FIG. 4 is a right rear perspective view thereof;
 FIG. 5 is an enlarged right side elevational view thereof with the door open and the window raised into a partially open position; and
 FIG. 6 is a left rear perspective thereof with the door open and the side window raised into a partially open position.
 The broken lines in the drawing are for illustrative purposes only.

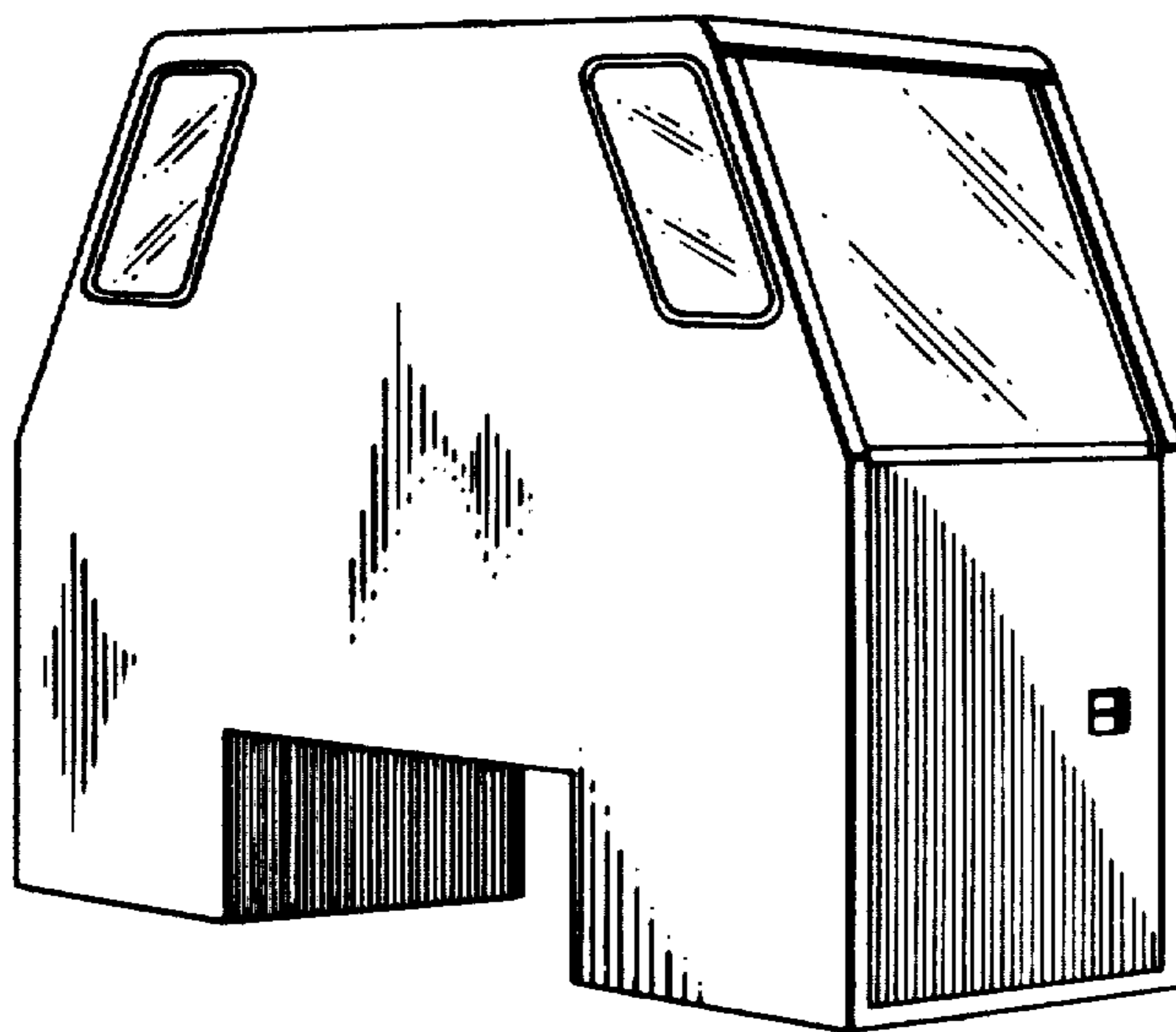


FIG. 1

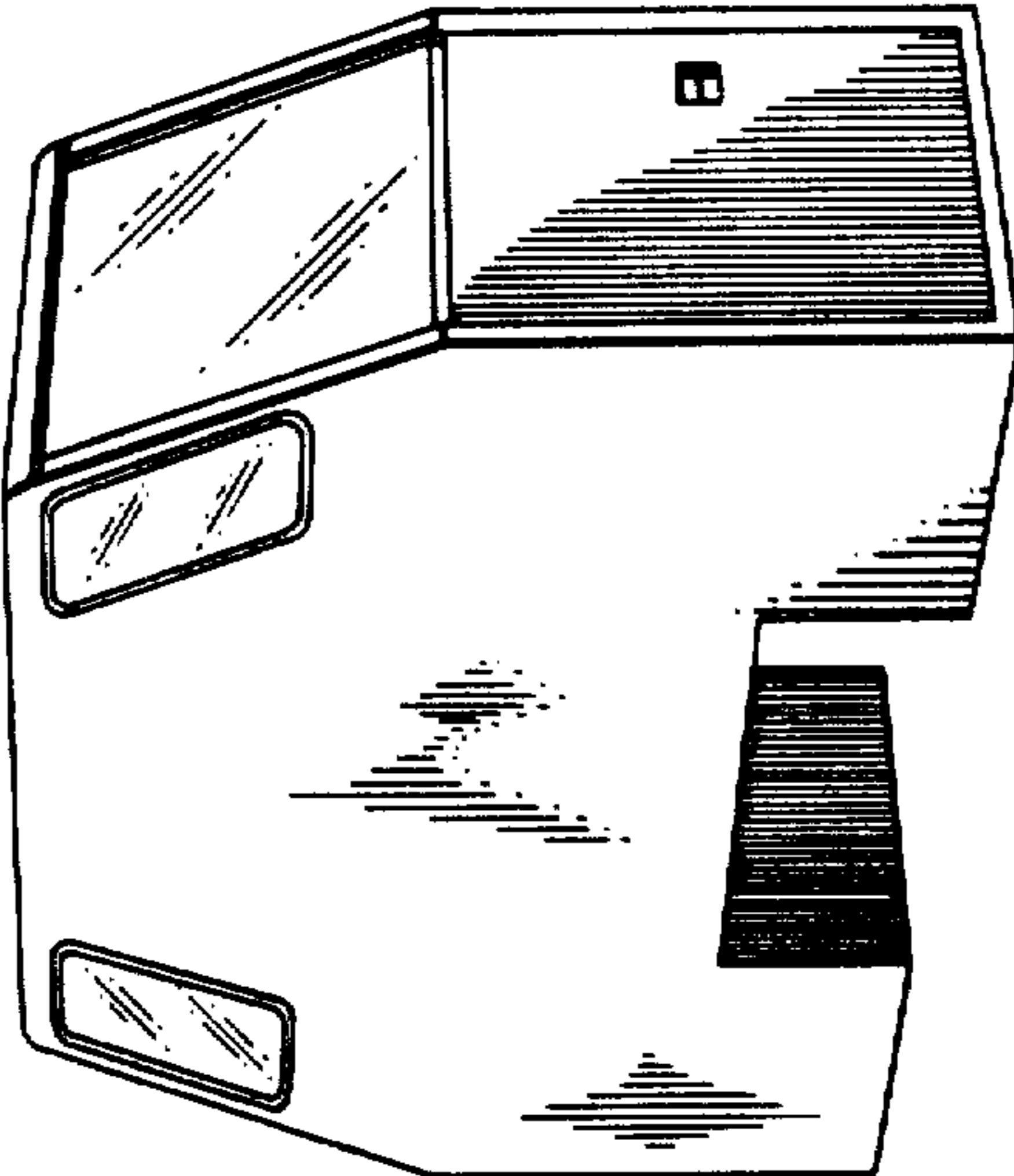


FIG. 2

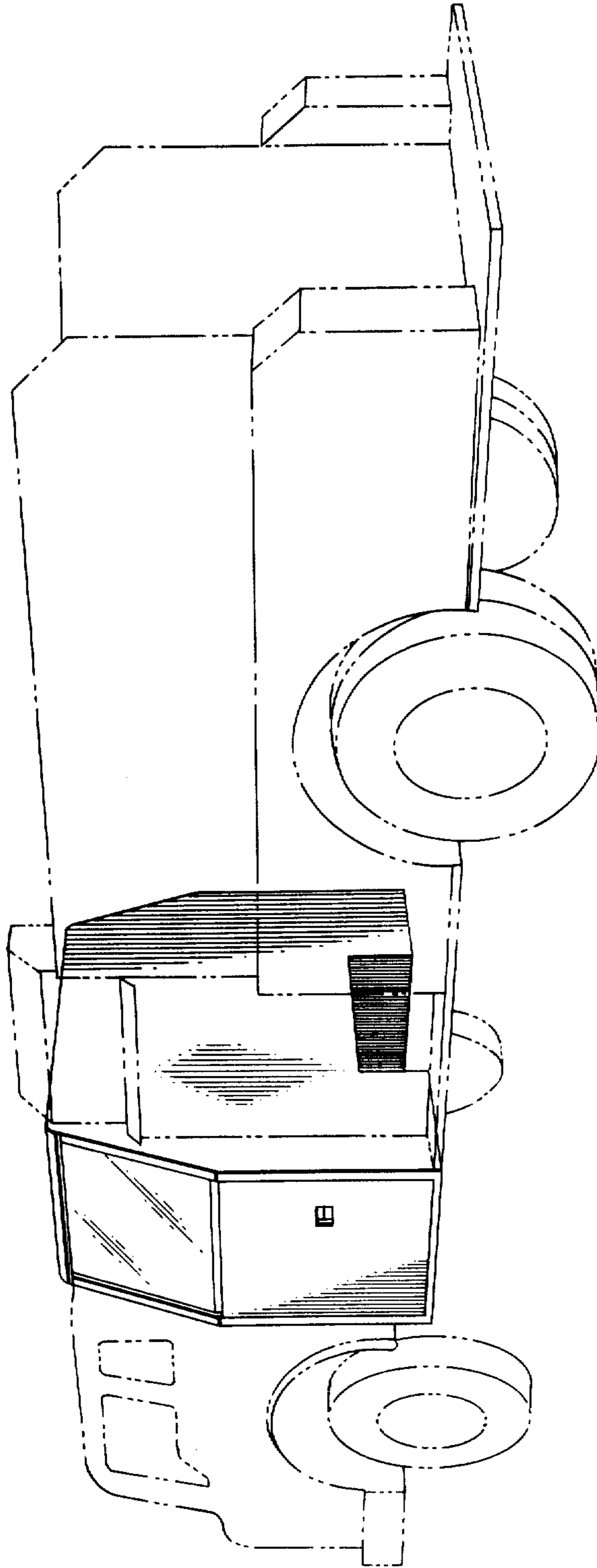


FIG. 3

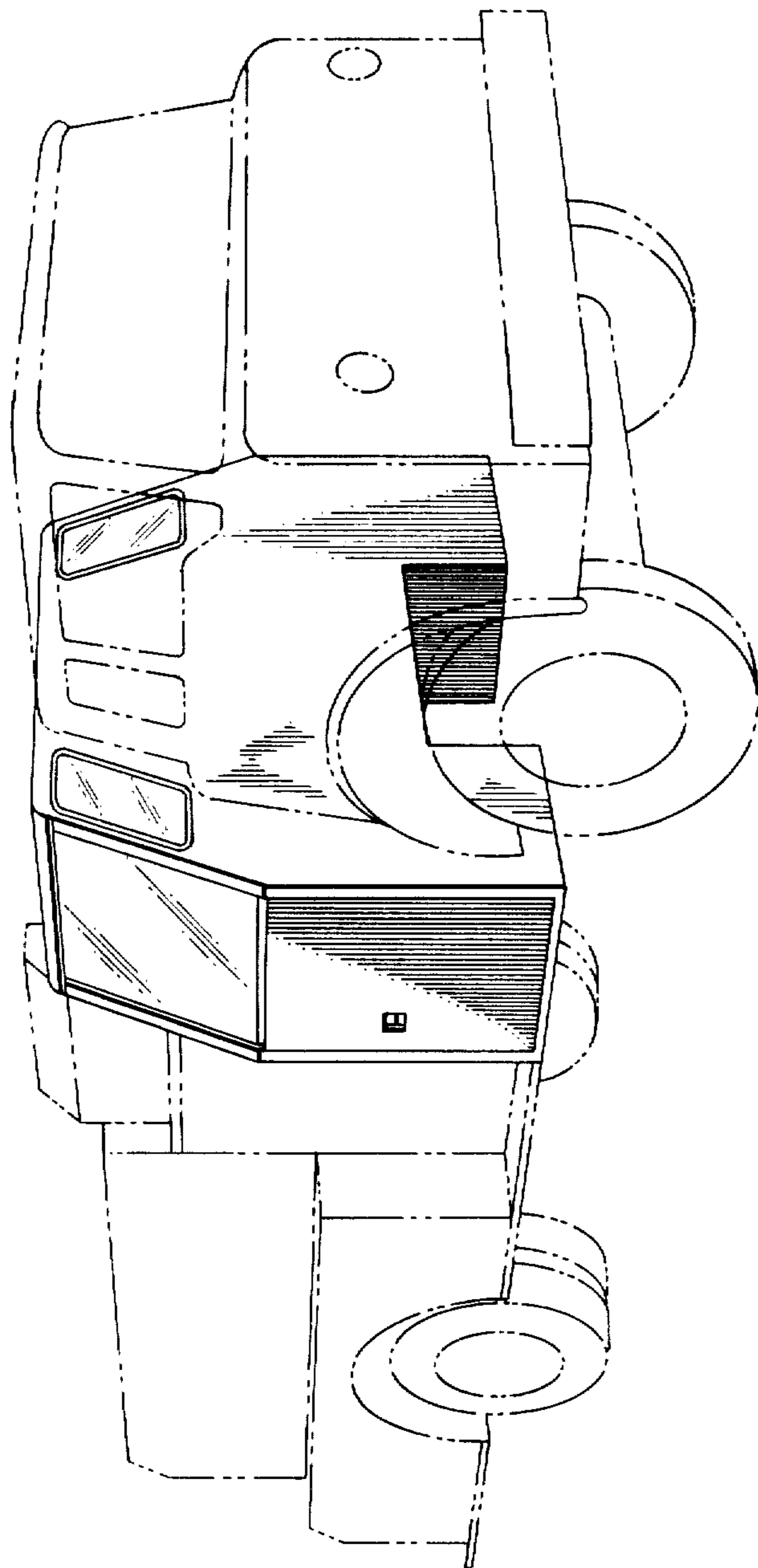


FIG. 4

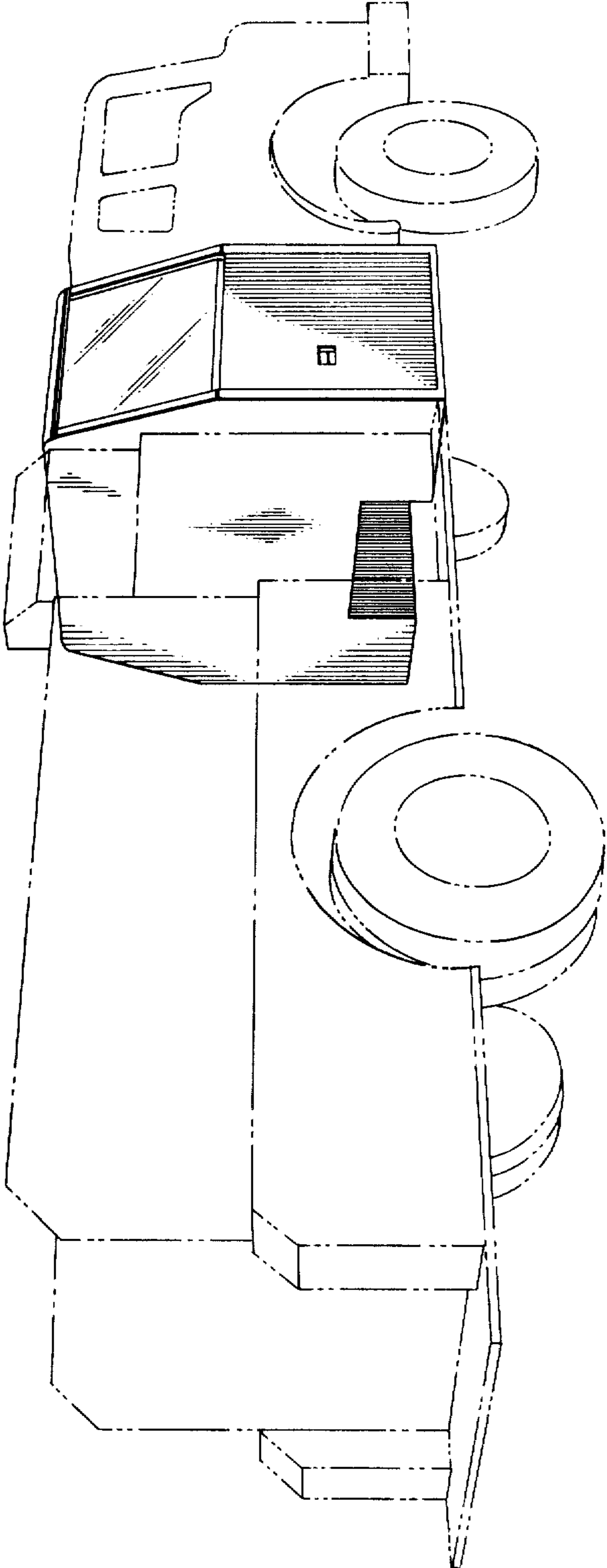


FIG-5

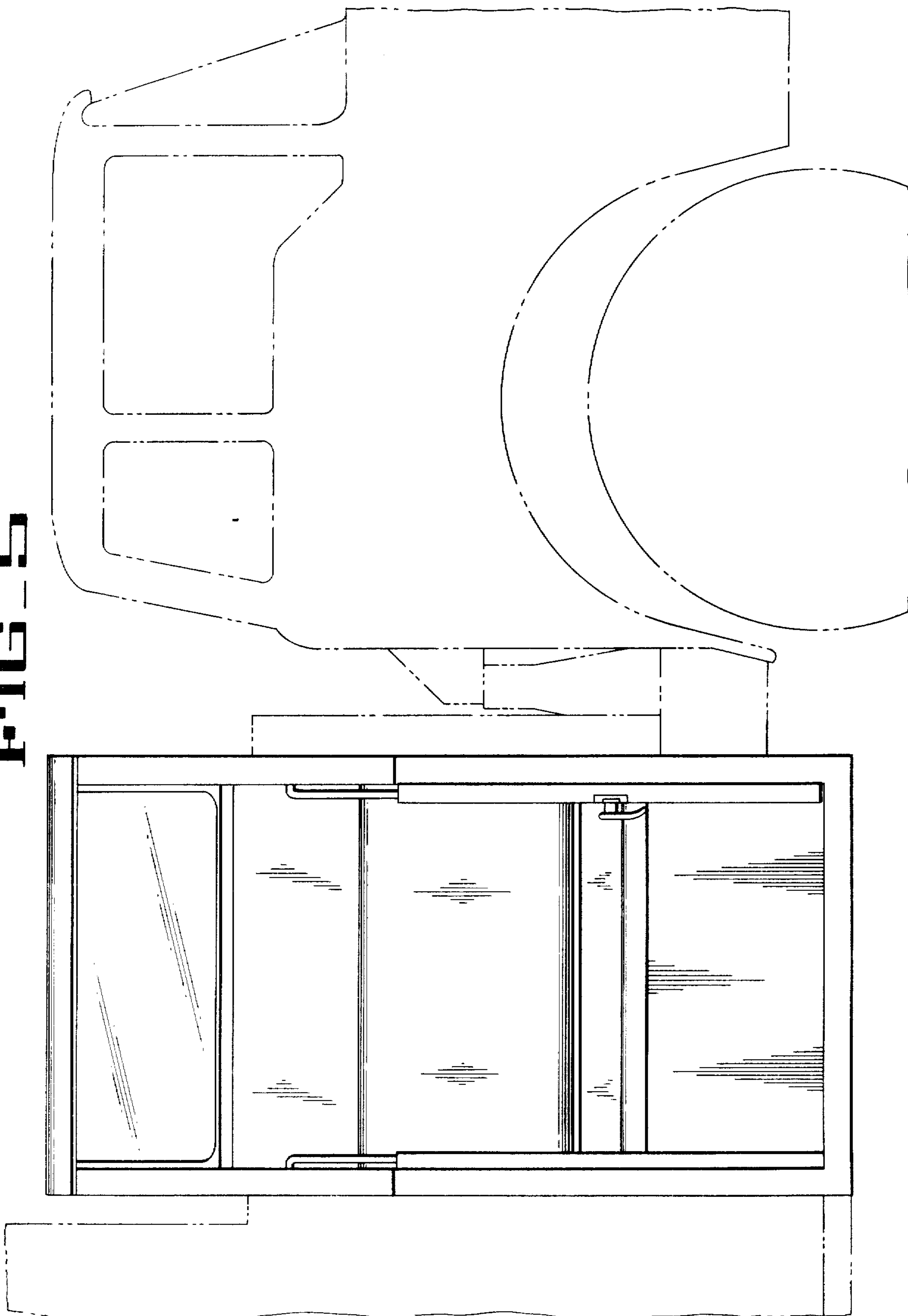


FIG. 6

