

[54] **PROTRACTOR**

[76] **Inventor: Fahim R. Sidrak, 4649 Norwich Rd.,
Wilmington, N.C. 28405**

[**] **Term: 14 Years**

[21] **Appl. No.: 228,692**

[22] **Filed: Jan. 26, 1981**

[51] **Int. Cl. D10--04**

[52] **U.S. Cl. D10/65; D10/62**

[58] **Field of Search D10/65, 61, 62; 33/1 B,
33/1 N, 403, 494; D19/35, 36, 37**

[56] **References Cited**

U.S. PATENT DOCUMENTS

621,177	3/1899	Sykes	33/403
665,316	1/1901	Fay	33/403
1,264,633	4/1918	Gibson	33/494
1,961,500	6/1934	Larson	33/1 N
2,011,282	8/1935	Hochman	33/1 N

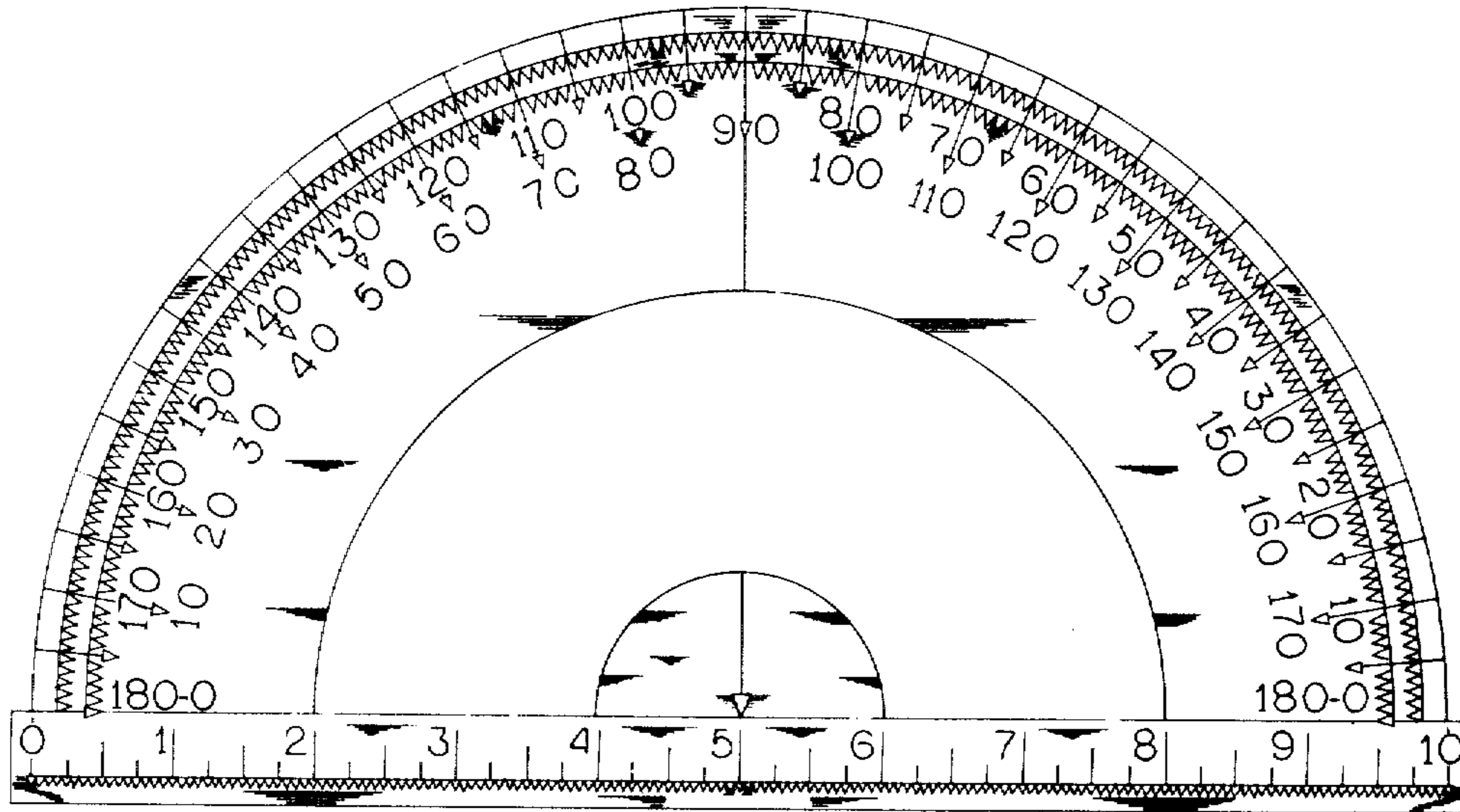
Primary Examiner—Nelson C. Holtje

[57] **CLAIM**

The ornamental design for a protractor, substantially as shown and described.

DESCRIPTION

FIG. 1 is a top plan view of a protractor showing my new design, the bottom being plain and unornamented; FIG. 2 is a front elevational view thereof.



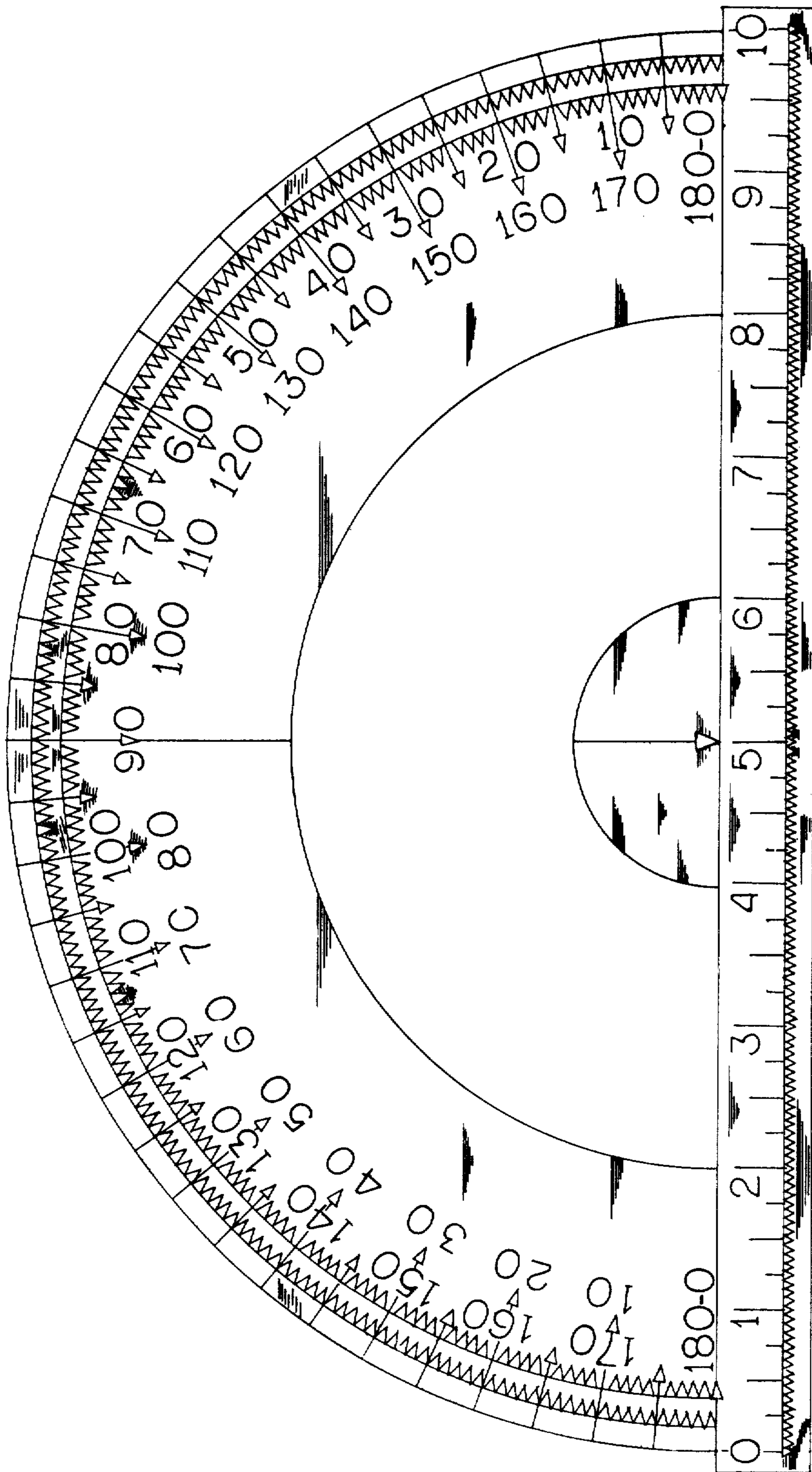


FIG. 1

FIG. 2