

[54] COMBINED COOKING PLATE, DRIP PAN TRAY AND SUPPORT STAND

D. 158,535 5/1950 Williams ..... D7/85  
D. 236,791 9/1975 Bruno et al. .... D7/123

[76] Inventor: Riccardo Schweizer, Via Roma, 41, Mezzano Di Primiero (Province of Trento), Italy

[\*\*] Term: 14 Years

[21] Appl. No.: 172,500

[22] Filed: Jul. 28, 1980

[30] Foreign Application Priority Data

Jan. 29, 1980 [IT] Italy ..... 30627 B/80

[51] Int. Cl. .... D7-02; D7-99

[52] U.S. Cl. .... D7/363; D7/3; D7/21; D7/38

[58] Field of Search ..... D7/46, 37, 38, 41, 21, D7/130, 3, 85, 129, 87, 125, 123, 124; D9/341, 345, 347; D99/44, 50; D27/20, 21

[56] References Cited

U.S. PATENT DOCUMENTS

D. 101,465 10/1936 Knapp ..... D7/21  
D. 119,808 4/1940 Merritt ..... D7/124 X  
D. 141,370 5/1945 Hufford et al. .... D7/87

OTHER PUBLICATIONS

W. Bell & Co. 1979 Cat., ©1978, p. 293, Wood Snack Servers, Item "J", Snack Server, 3rd. up from bottom left.

Primary Examiner—Winifred E. Herrmann  
Attorney, Agent, or Firm—Guido Modiano; Albert Josif

[57] CLAIM

The ornamental design for a combined cooking plate, drip pan tray and support stand, as shown and described.

DESCRIPTION

FIG. 1 is a perspective view of a combined cooking plate, drip pan tray and support stand showing my design;

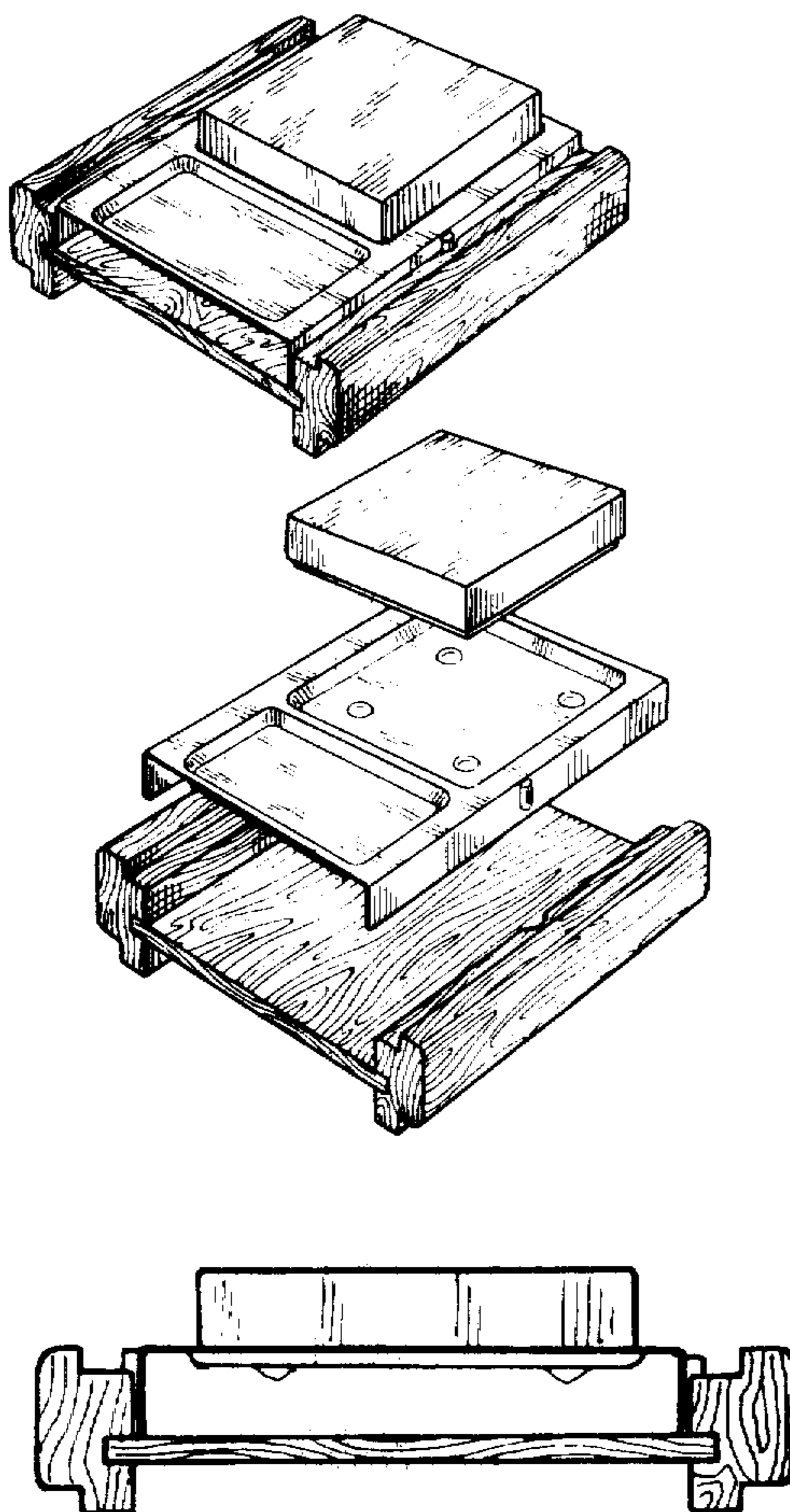
FIG. 2 is an exploded perspective view thereof;

FIG. 3 is a top plan view thereof;

FIG. 4 is a bottom plan view thereof;

FIG. 5 is a right side elevational view thereof, the side opposite being a mirror image thereof; and

FIG. 6 is a front elevational view thereof, the rear elevational view being substantially similar.



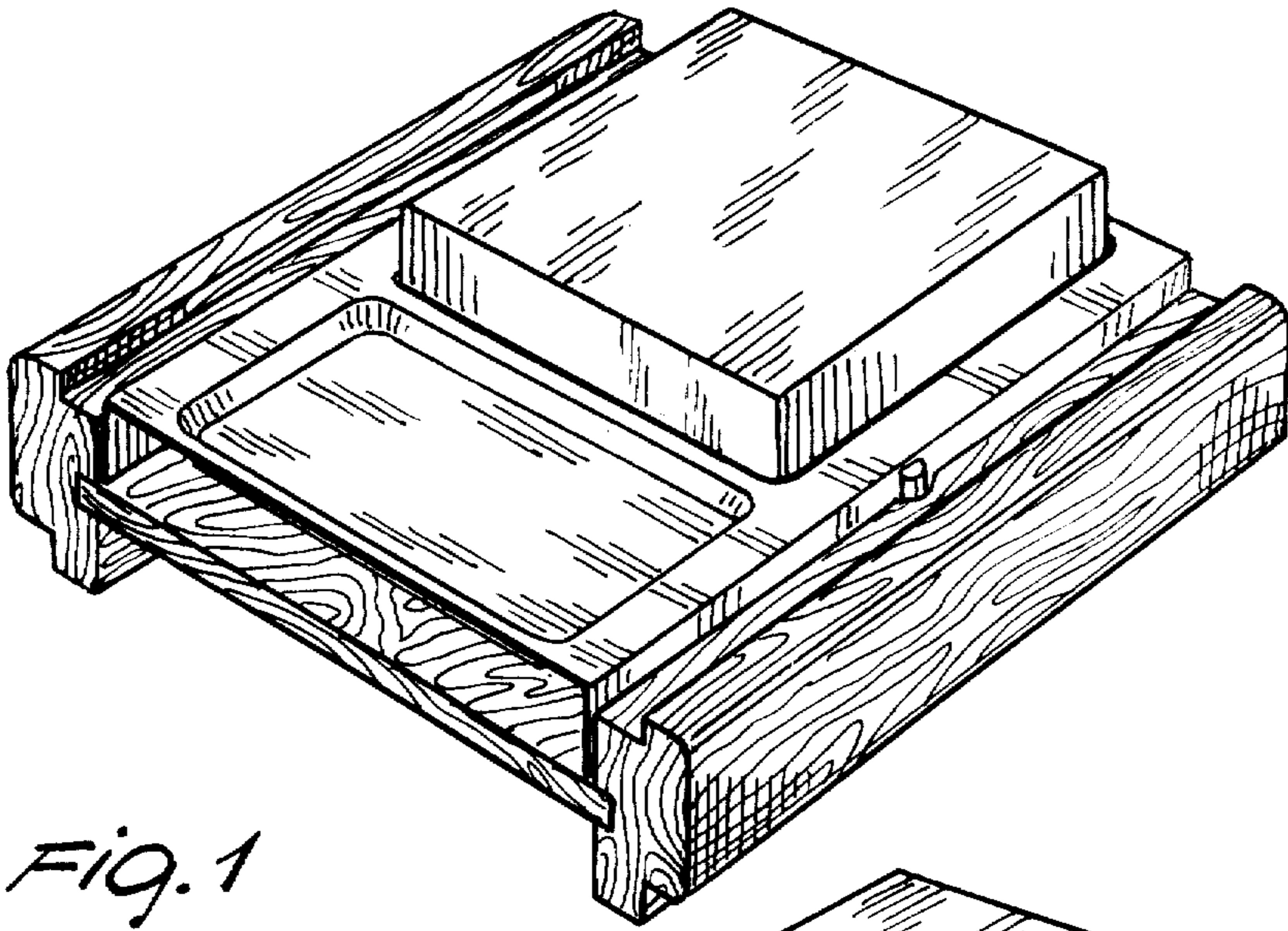


FIG. 1

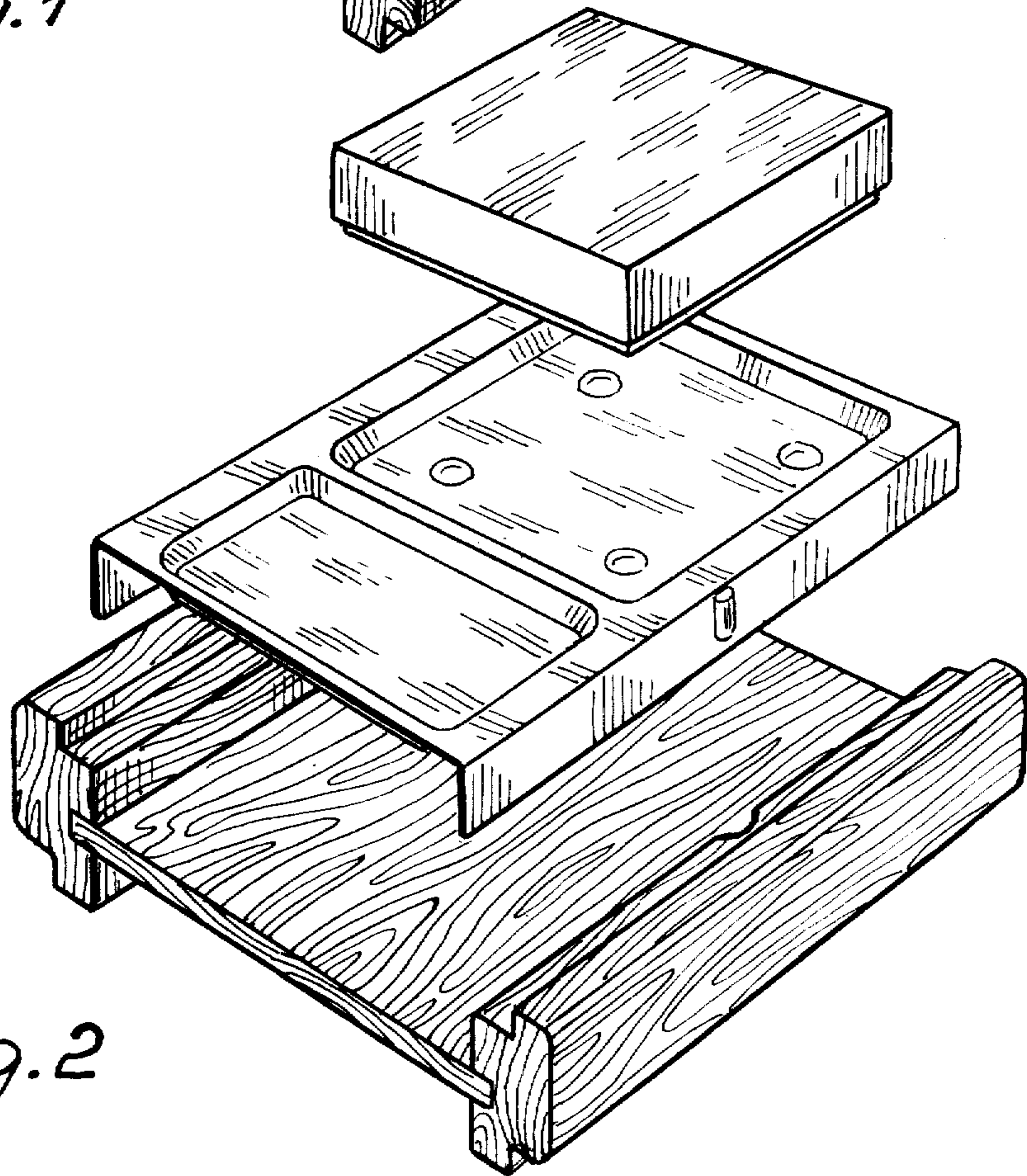
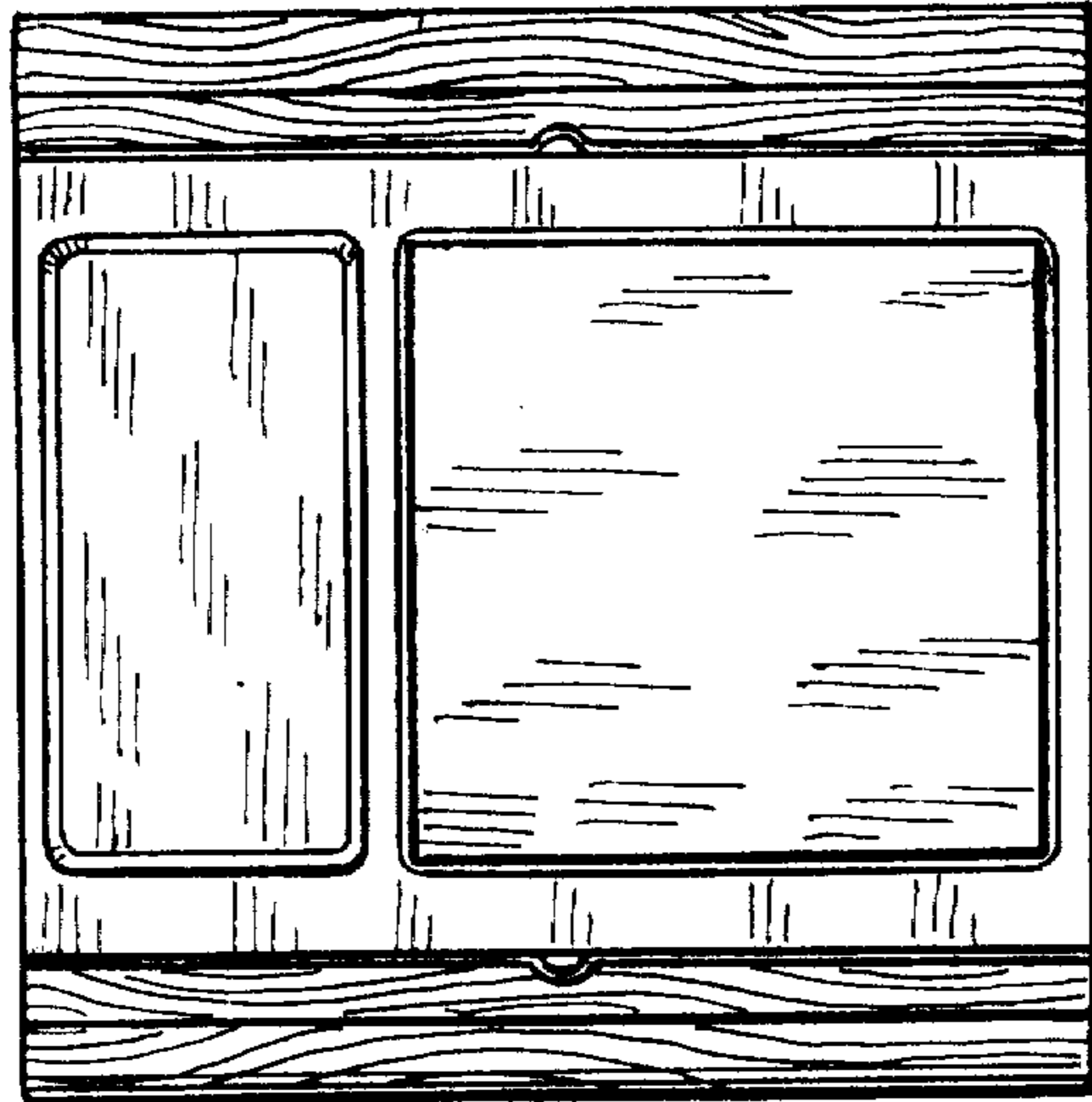
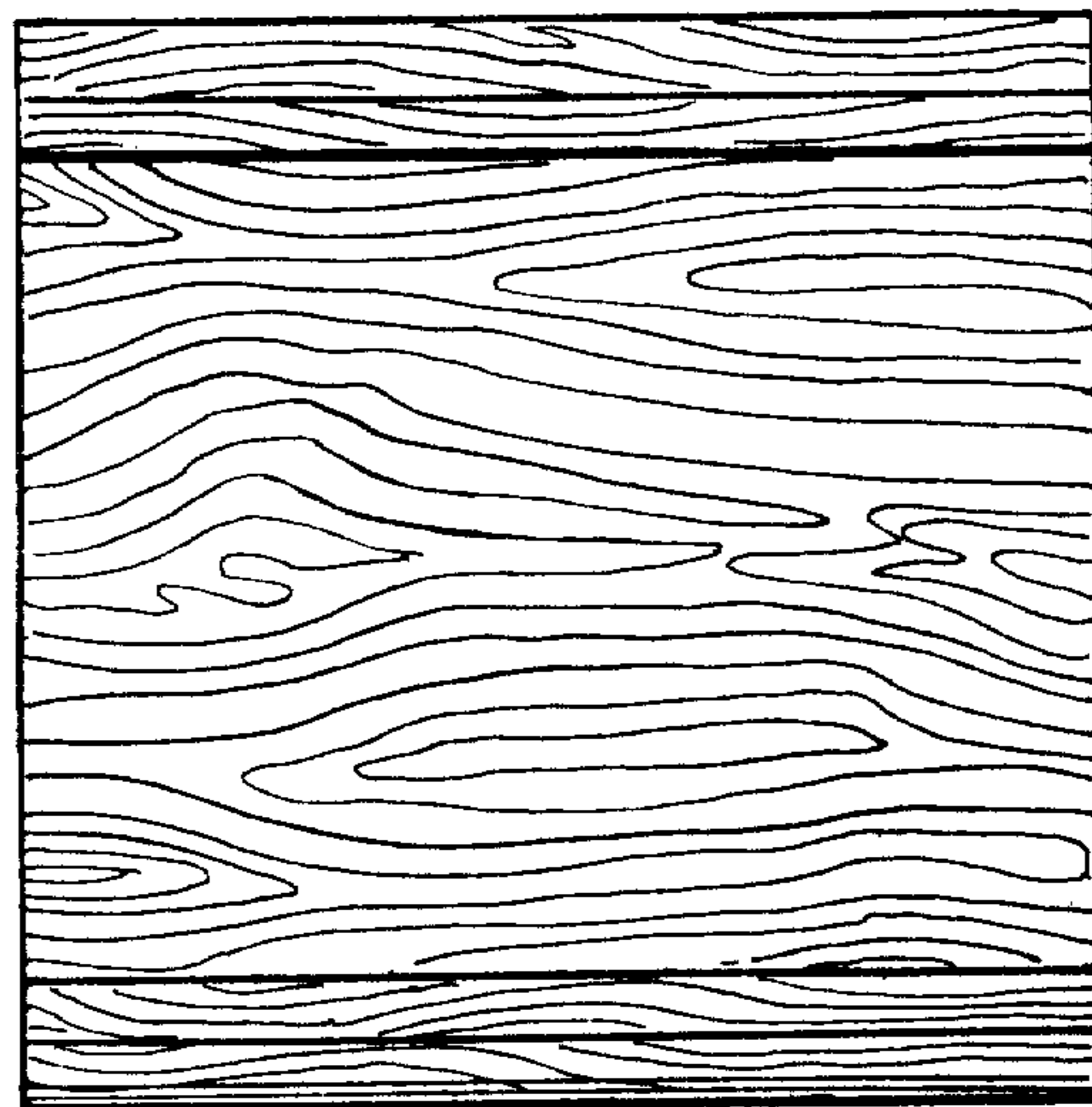


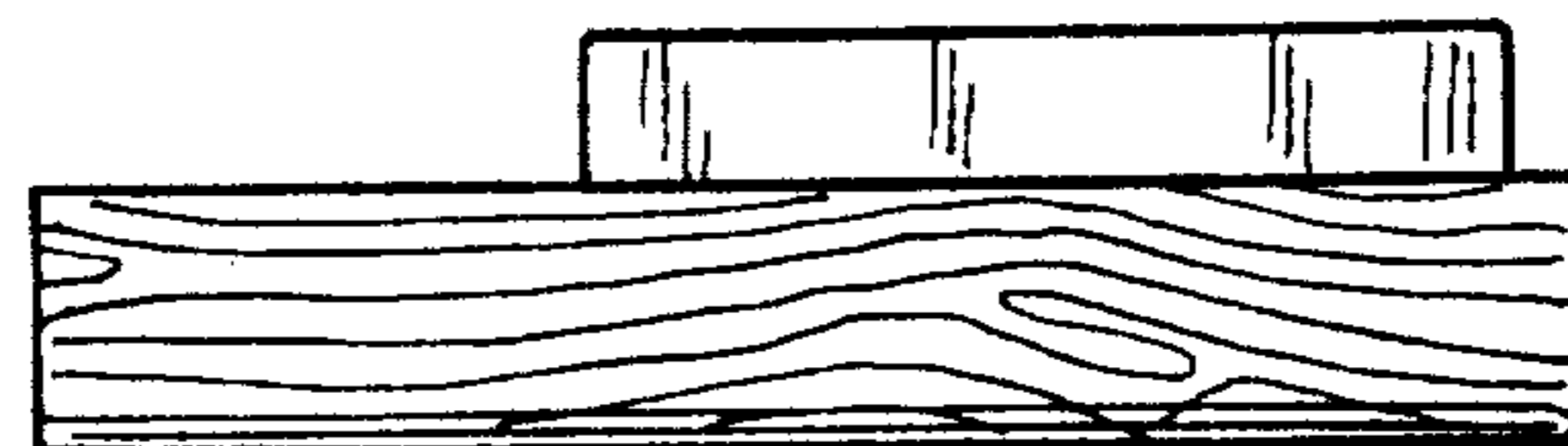
FIG. 2



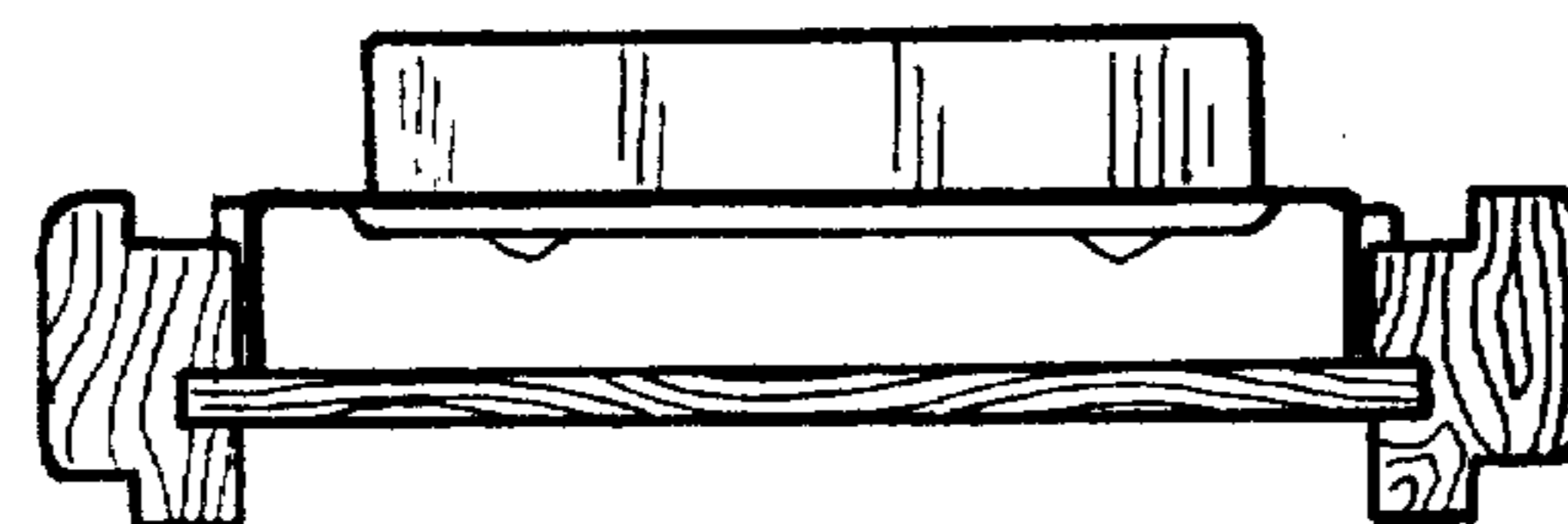
*Fig. 3*



*Fig. 4*



*Fig. 5*



*Fig. 6*