

[54] **PAPER BALING RACK**
 [76] Inventor: **George D. Lasher**, 612 E. Shields,
 Fresno, Calif. 93704
 [**] Term: **14 Years**
 [21] Appl. No.: **186,685**
 [22] Filed: **Sep. 12, 1980**
 [51] Int. Cl. **D6-04**
 [52] U.S. Cl. **D6/184; D6/85**
 [58] Field of Search **D6/85, 184; 211/49 R,**
211/49 D, 50; 100/1, 34

2,965,016 12/1960 Price 100/1
 3,171,347 3/1965 Elrod 100/34
 3,897,724 8/1975 McDonald 211/50

Primary Examiner—B. J. Bullock
Attorney, Agent, or Firm—Huebner & Worrel

[57] **CLAIM**

The ornamental design for a paper baling rack, as shown and described.

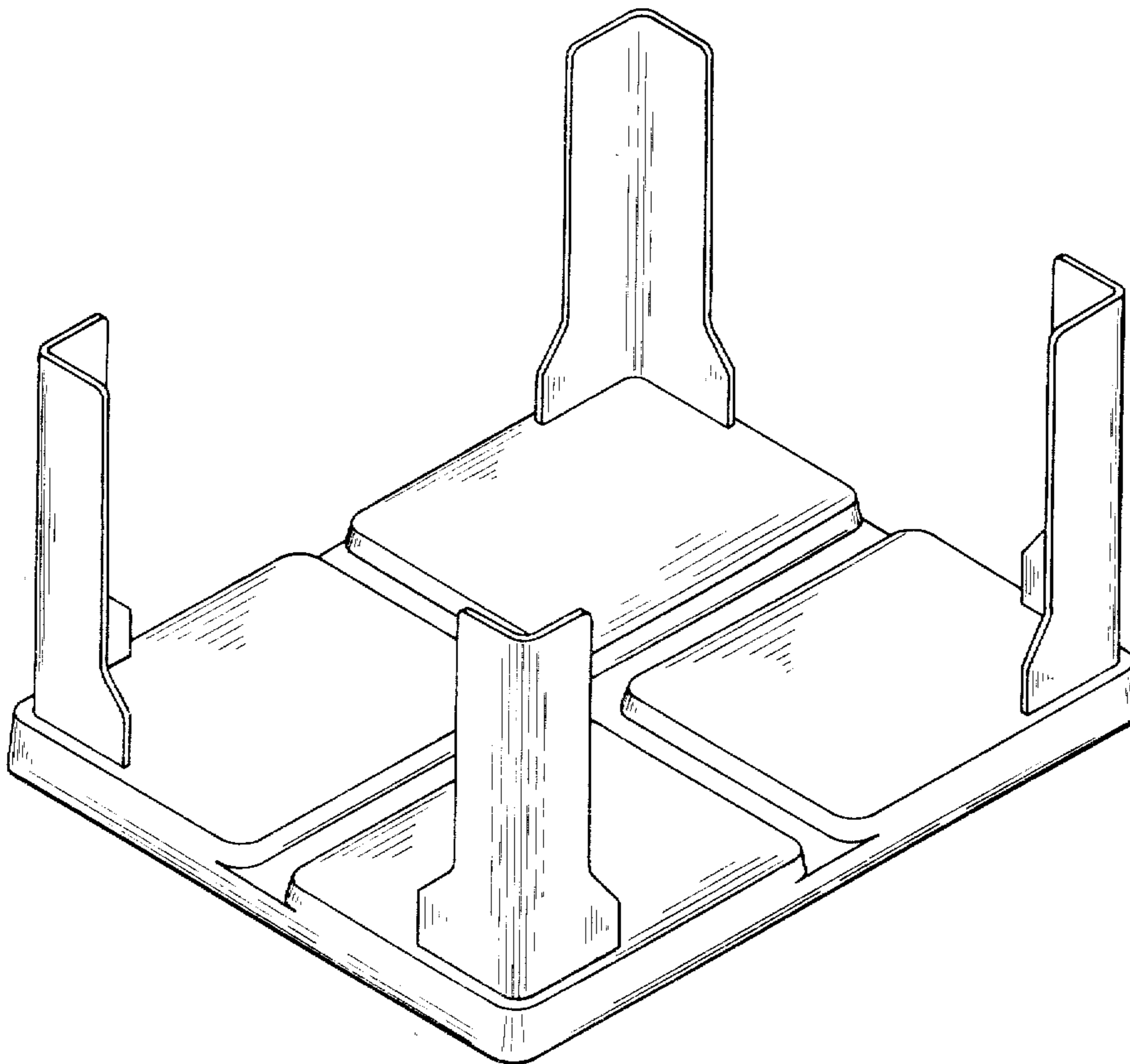
DESCRIPTION

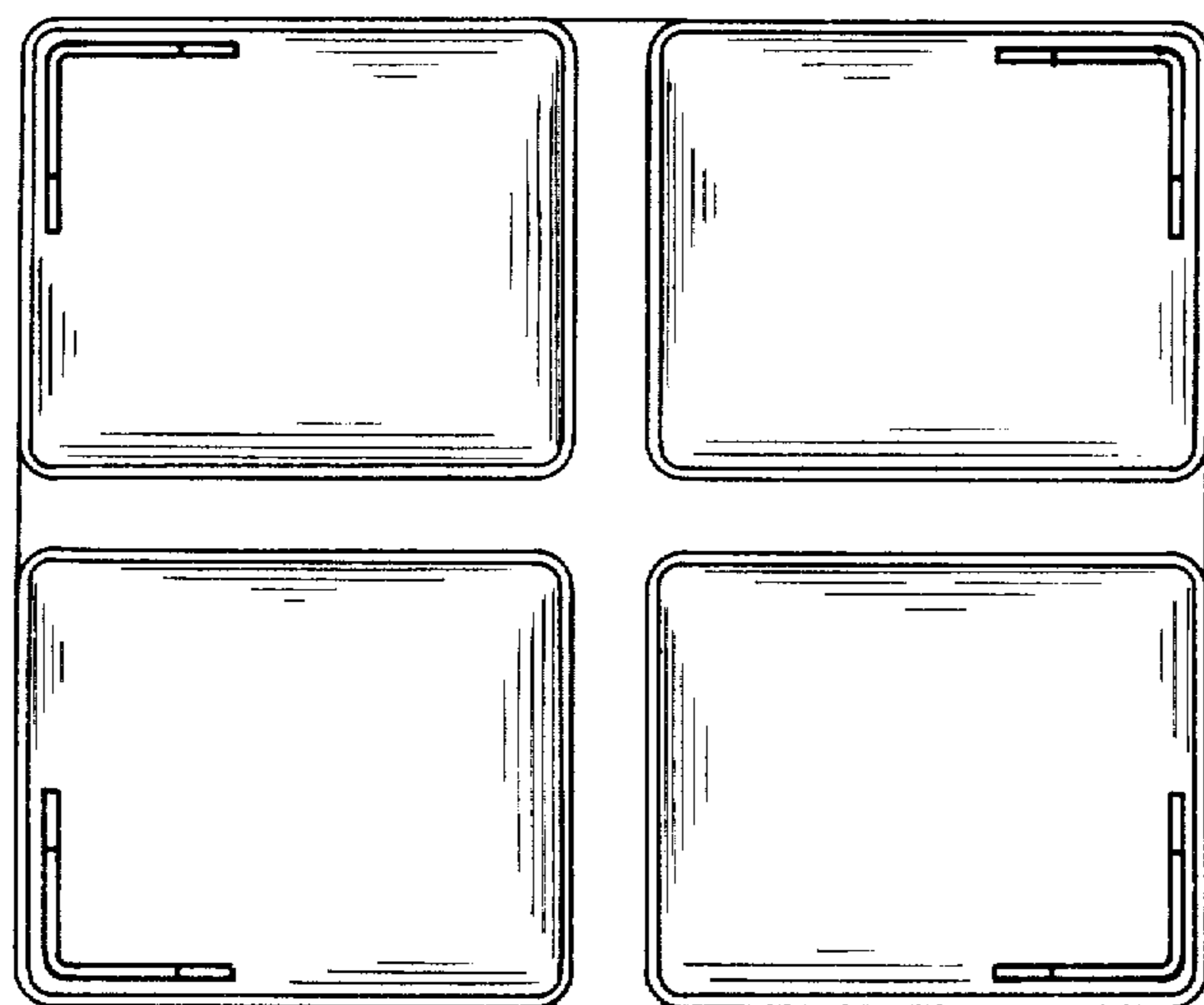
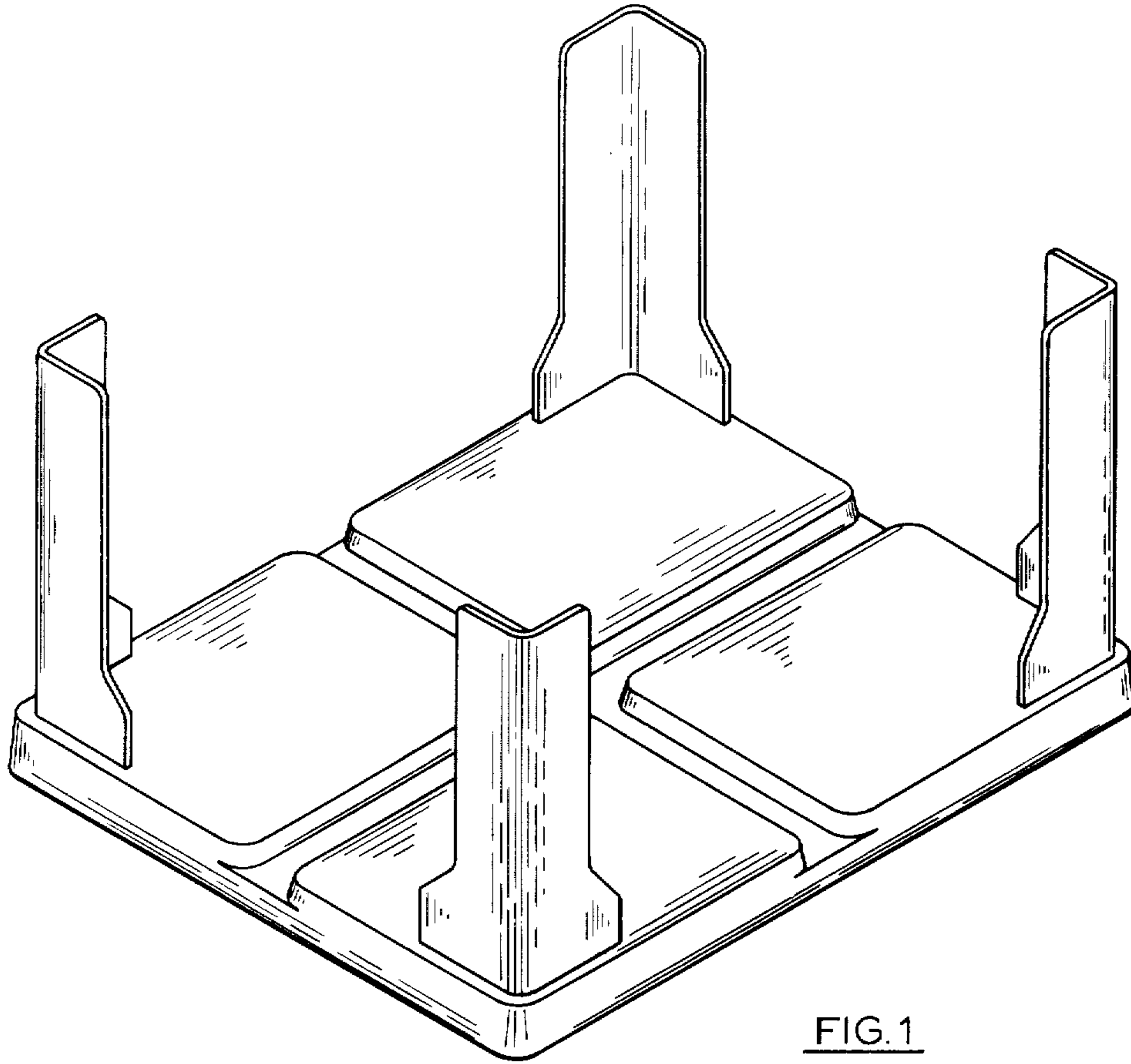
FIG. 1 is a perspective view showing my new design for a paper baling rack.
 FIG. 2 is a top plan view thereof.
 FIG. 3 is a bottom plan view thereof.
 FIG. 4 is a side elevational view thereof, the opposite side thereof being identical to the side shown.
 FIG. 5 is an end elevational view thereof, the opposite thereof being identical to the end shown.

[56] **References Cited**

U.S. PATENT DOCUMENTS

D. 230,802 3/1974 Morita D6/184
 D. 247,207 2/1978 Moynihan D6/184
 D. 249,617 9/1978 Bozicnik D6/85





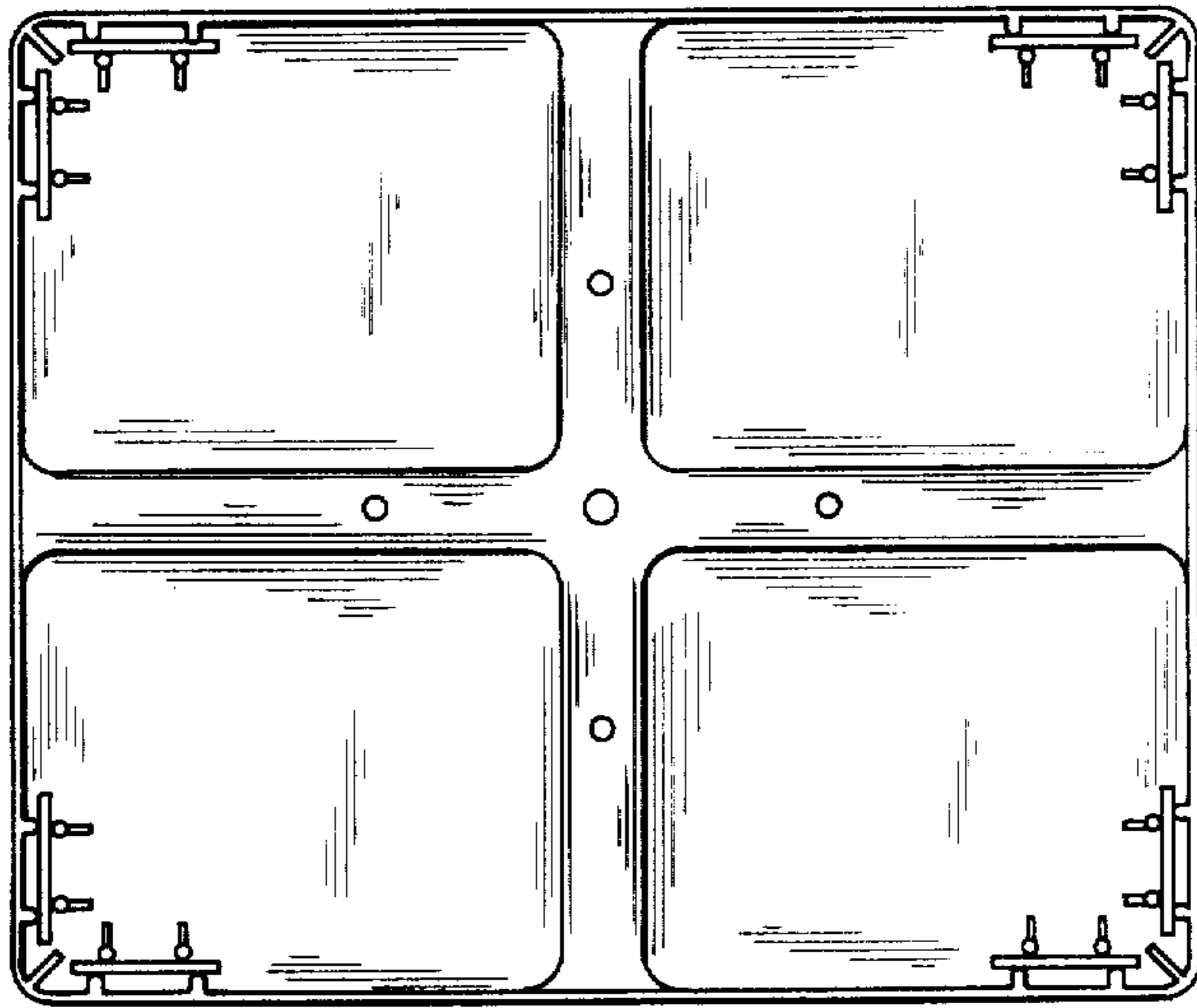


FIG. 3

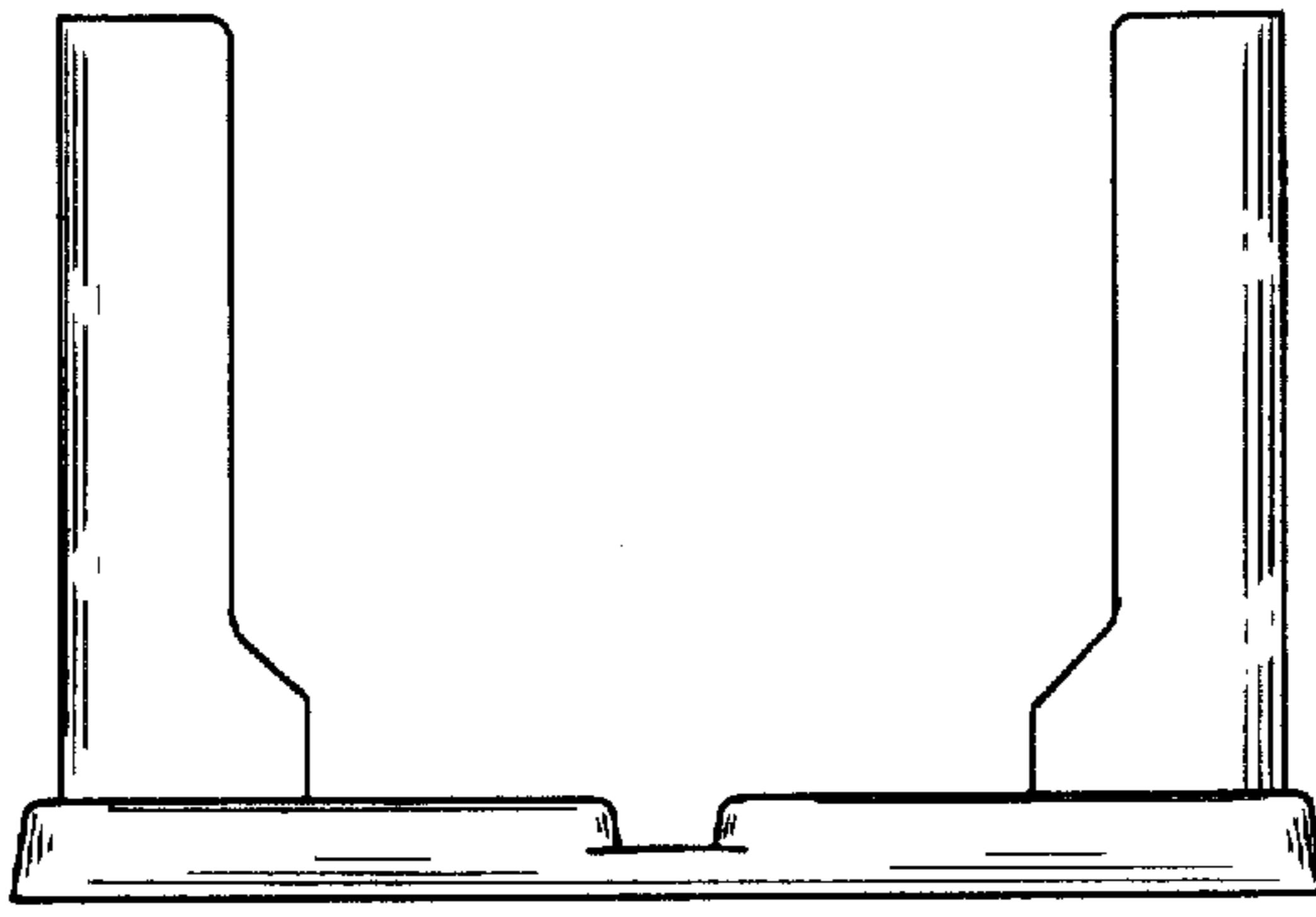


FIG. 4

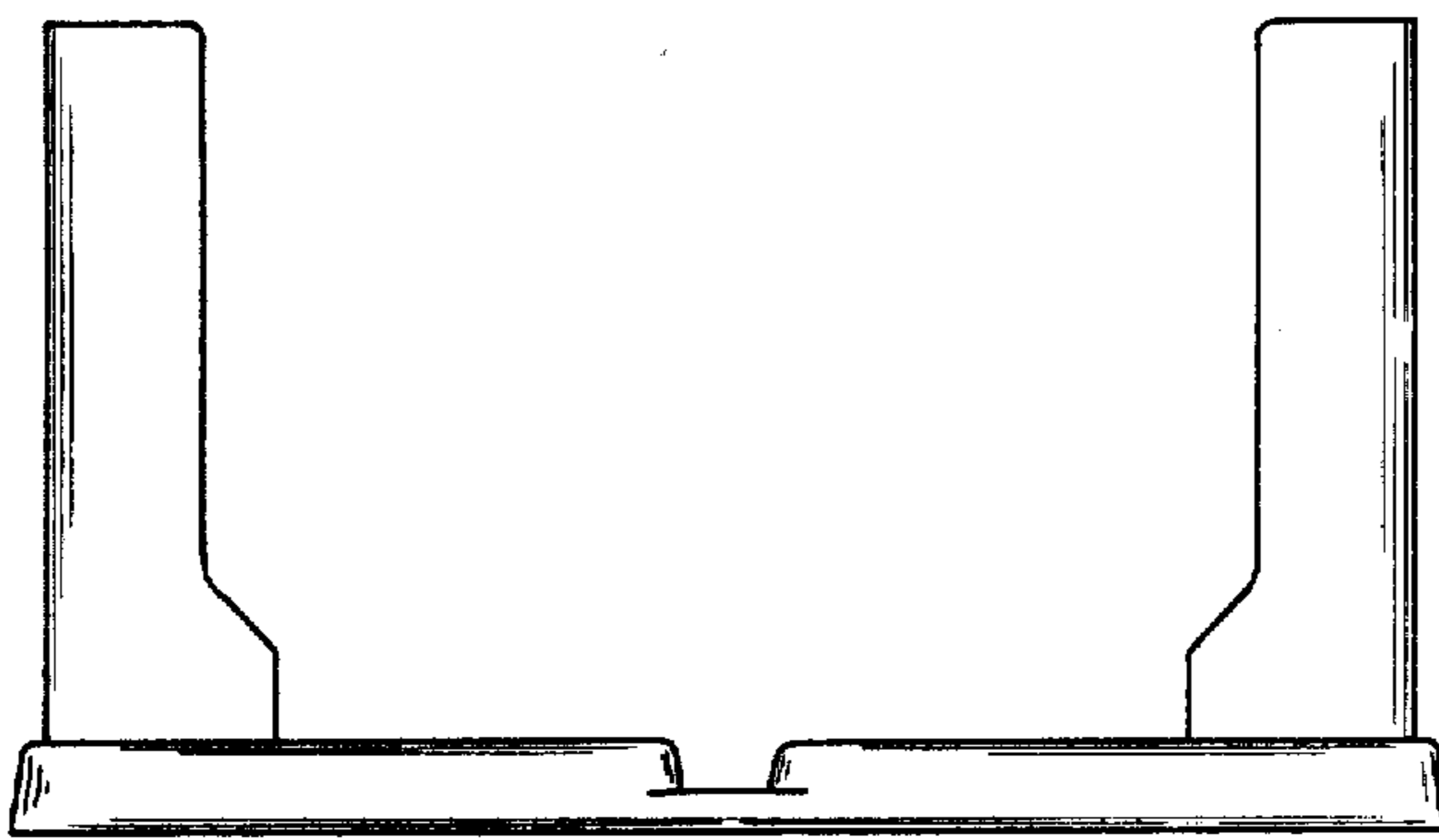


FIG. 5