

[54] DISKETTE STORAGE CONTAINER

2,880,858 4/1959 Persky ..... D9/420

[75] Inventors: Jerry M. Long, Ben Lomond; James A. Womack, Livermore, both of Calif.

Primary Examiner—George P. Word  
Attorney, Agent, or Firm—Claude A. S. Hamrick

[73] Assignee: Innovative Concepts, Inc., Los Gatos, Calif.

[57] CLAIM

The ornamental design for a diskette storage container, substantially as shown and described.

[\*\*] Term: 14 Years

DESCRIPTION

[21] Appl. No.: 80,417

FIG. 1 is a perspective view of a diskette storage container showing our new design;

[22] Filed: Oct. 1, 1979

FIG. 2 is a rear elevational view thereof;

[51] Int. Cl. .... D3-02

FIG. 3 is a right side elevational view thereof, the left side being a mirror image thereof;

[52] U.S. Cl. .... D3/35; D3/78; D19/76

FIG. 4 is an enlarged scale cross-sectional view thereof with some of the divider elements removed;

[58] Field of Search ..... D19/65, 75, 76, 90, D19/89; D9/341, 420, 422; 206/387, 472; D3/35, 78; 40/371, 383

FIG. 5 is a perspective view thereof showing the cover portion rotated into a first open configuration showing internal divider elements contained therein;

[56] References Cited

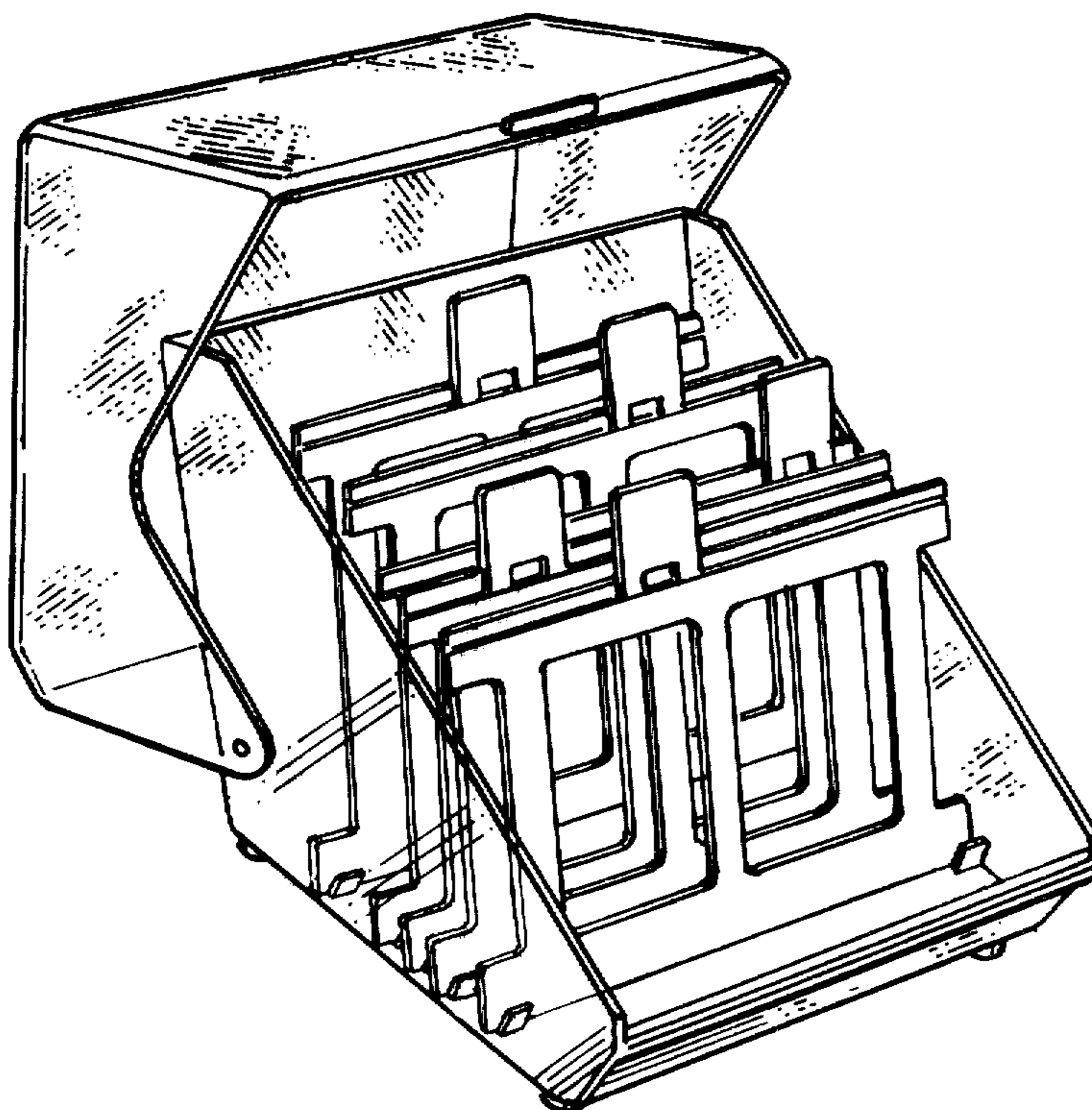
U.S. PATENT DOCUMENTS

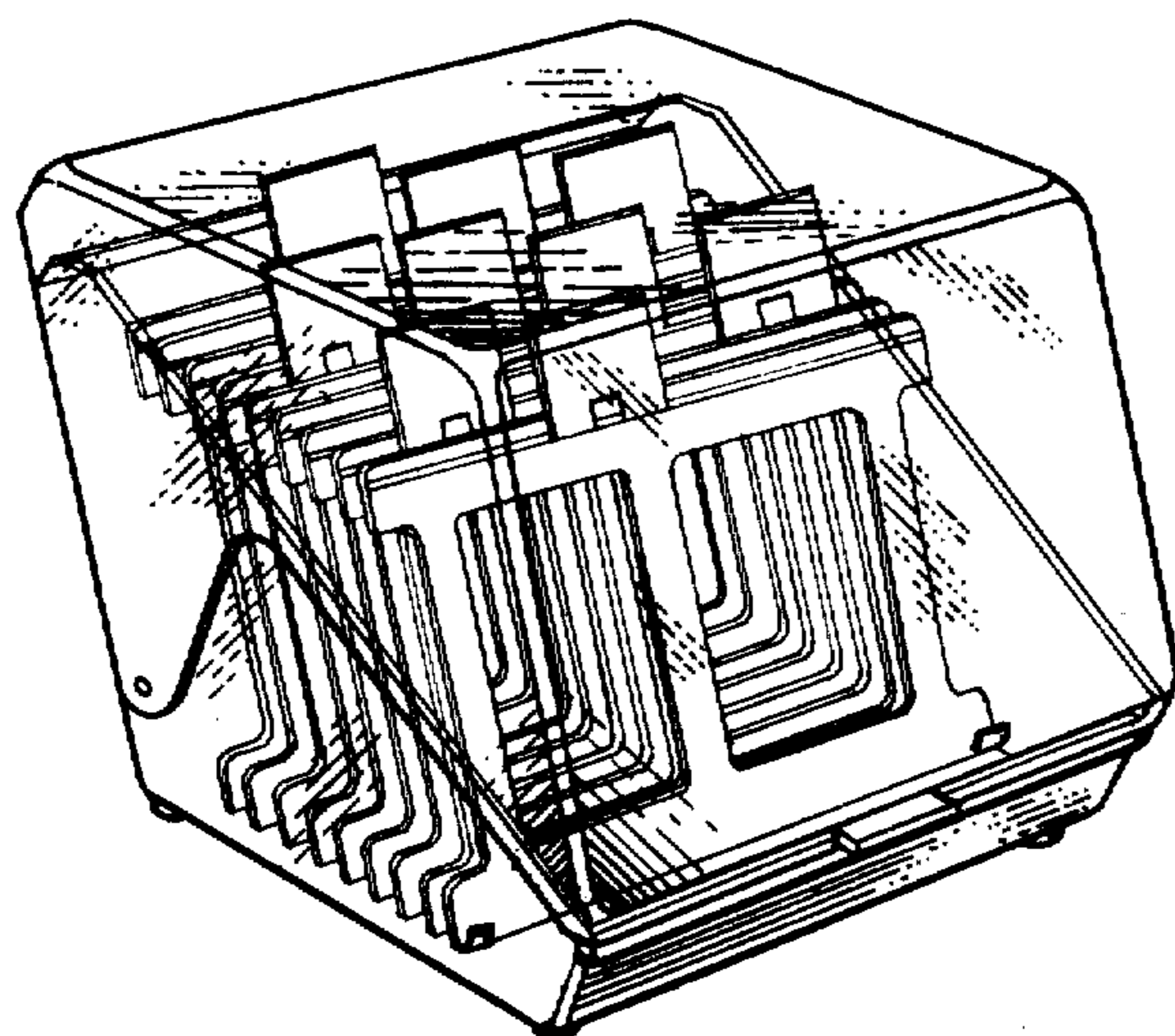
- D. 181,514 11/1957 Blod ..... D9/420
- D. 202,935 11/1965 Braun ..... D9/420
- D. 243,526 3/1977 Overman ..... D3/78
- D. 251,273 3/1979 Egly ..... D3/35

FIG. 6 is a perspective view thereof showing the cover portion rotated into a second open configuration;

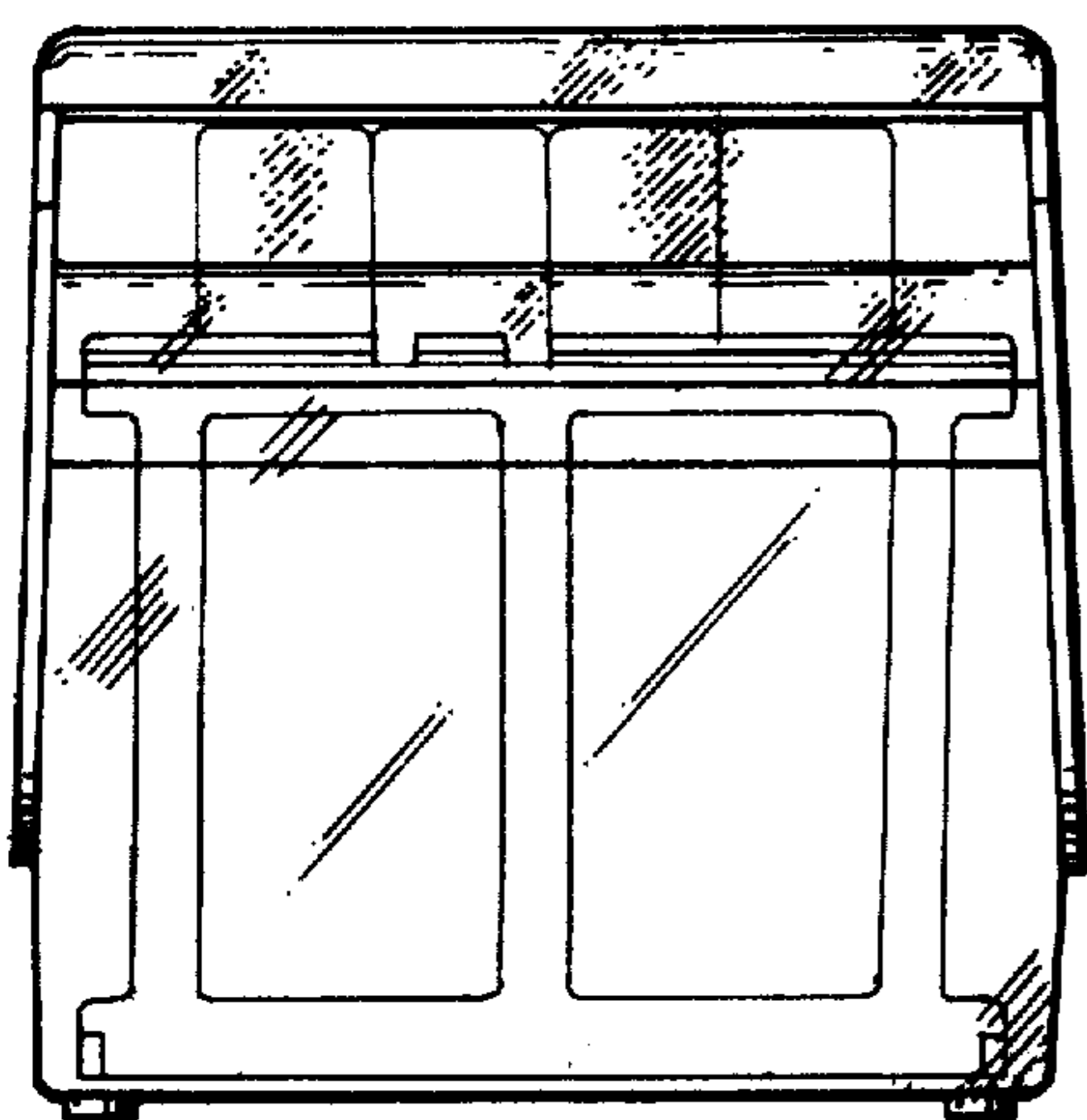
FIG. 7 is a front elevational view of one of the divider elements shown in FIGS. 5 and 6, the rear view being plain; and

FIG. 8 is a side elevational view of the divider element shown in FIG. 7.

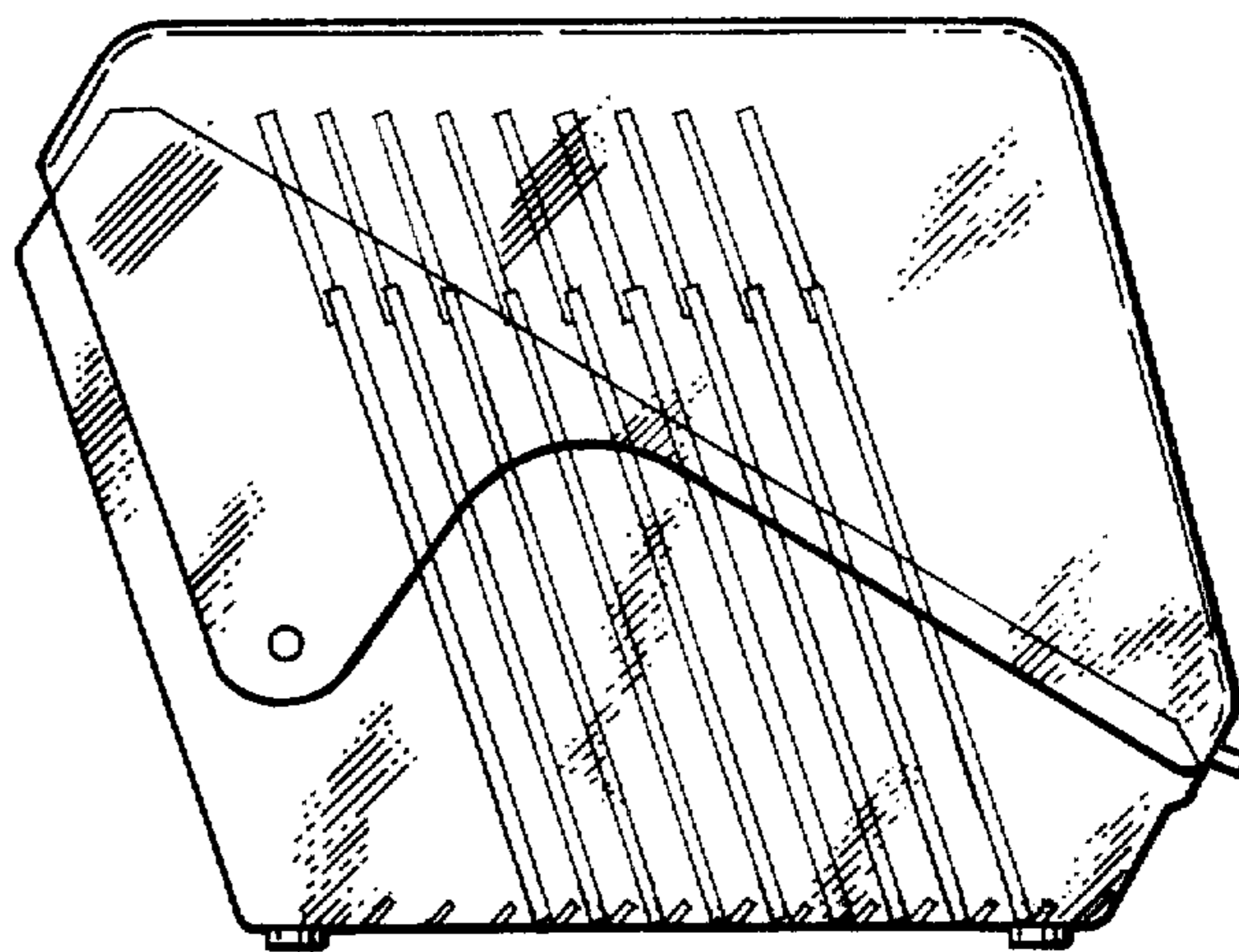




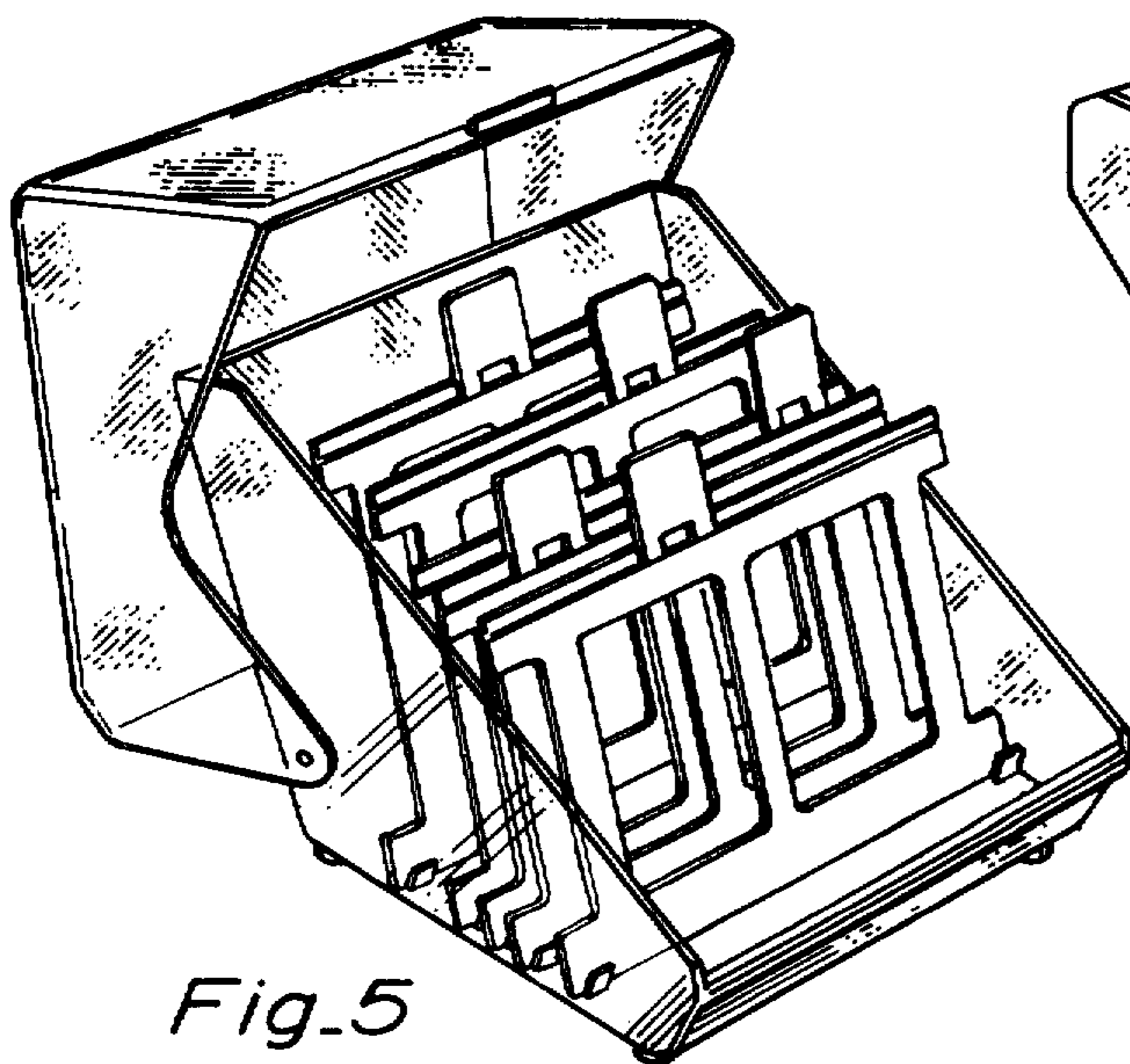
*Fig. 1*



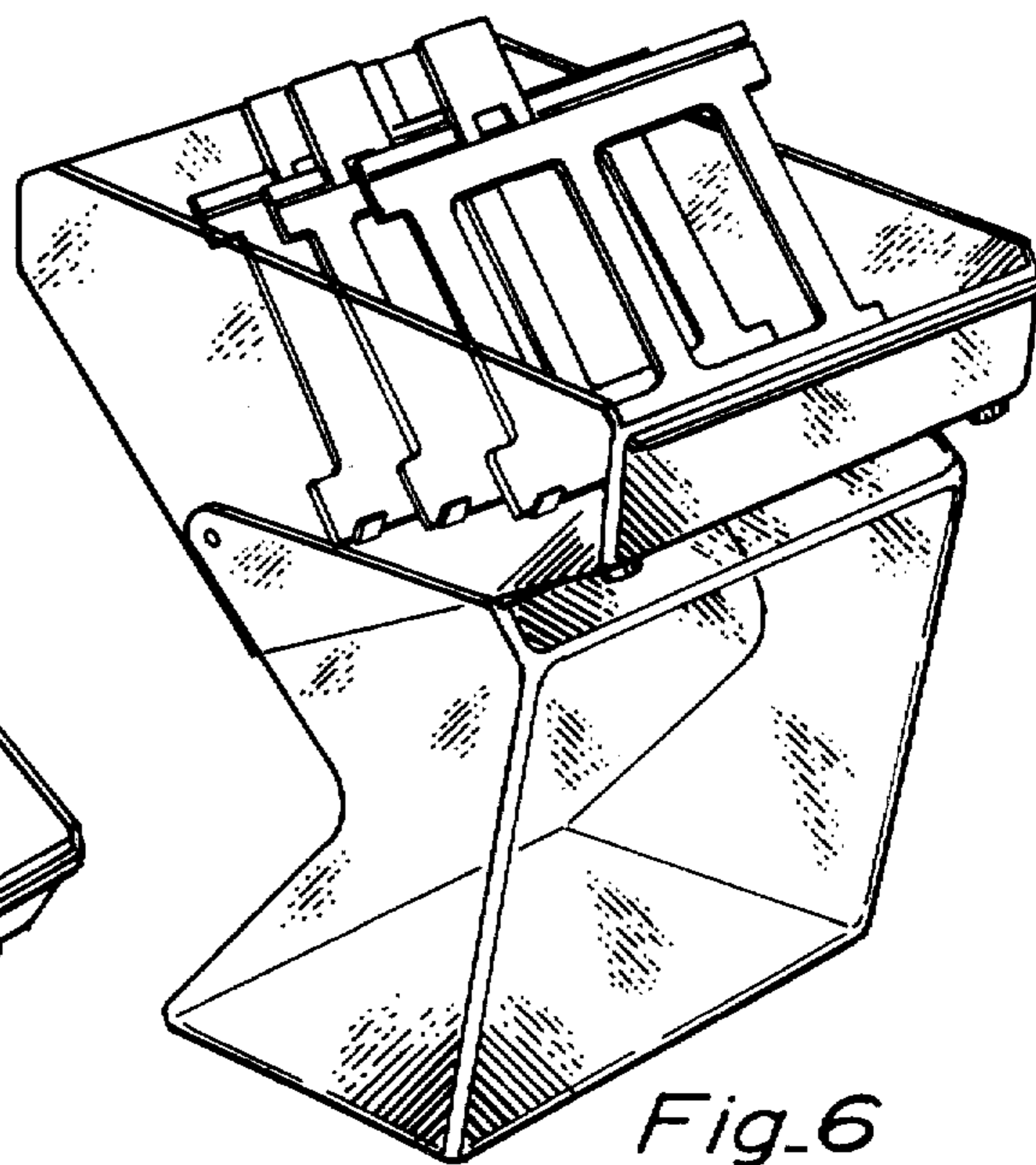
*Fig. 2*



*Fig. 3*



*Fig. 5*



*Fig. 6*



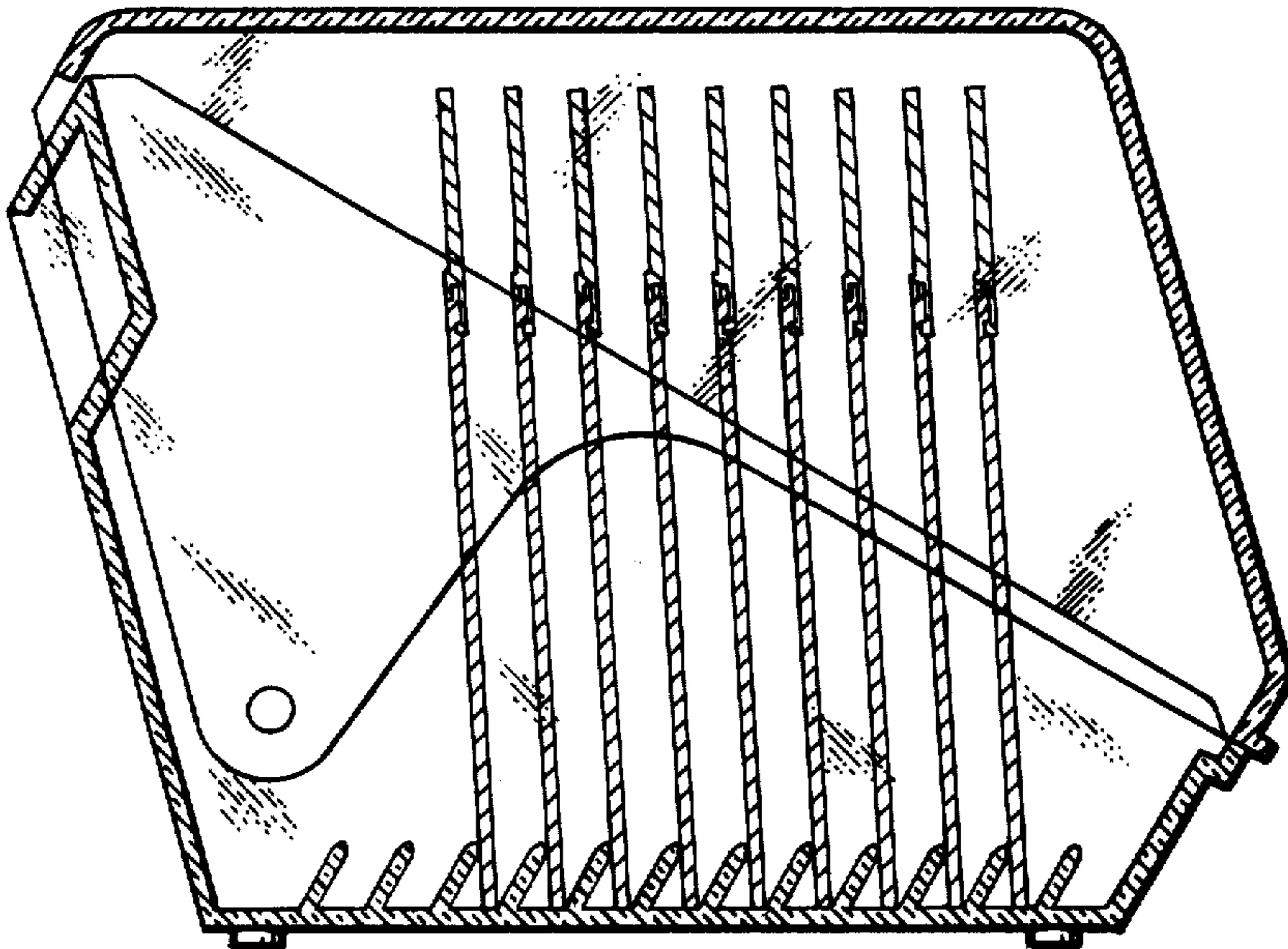


Fig. 4

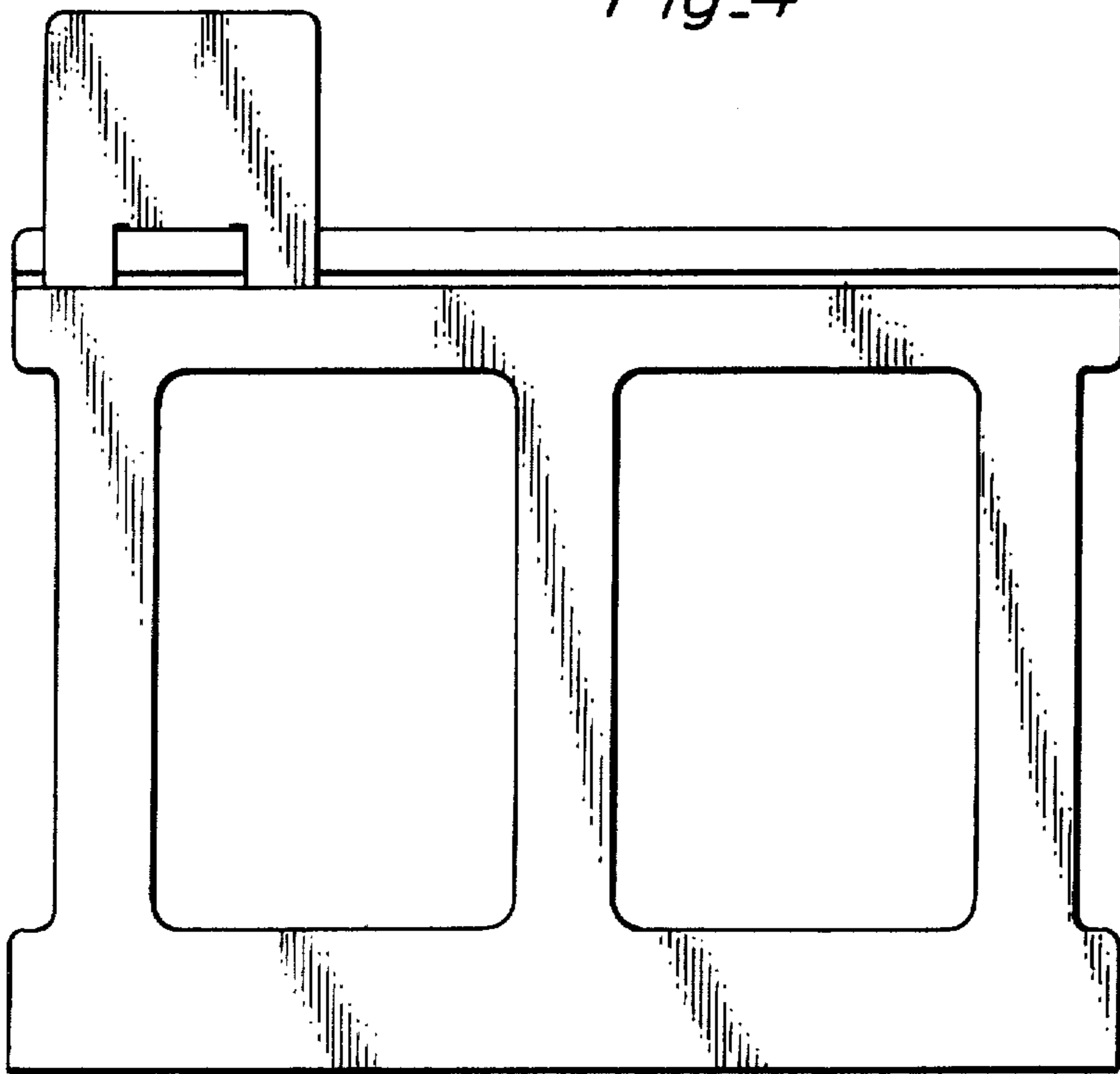


Fig. 7



Fig. 8