

[54] CASING FOR A CONTACT LENS CASE

[75] Inventors: Michael D. Thomas; Francis E. Ryder, both of Arab, Ala.

[73] Assignee: Ryder International Corporation, Arab, Ala.

[**] Term: 14 Years

[21] Appl. No.: 207,265

[22] Filed: Nov. 17, 1980

[51] Int. Cl. D3-02

[52] U.S. Cl. D3/34; D3/35; D3/39; D3/78

[58] Field of Search D3/30.1, 33-35, D3/39, 74, 75, 78; D19/75, 92; D28/61; 206/5.1; D7/420, 423

[56] References Cited

U.S. PATENT DOCUMENTS

D. 220,233	5/1971	Schurman	D3/78
D. 247,393	2/1978	Lowry	D3/35
3,089,500	5/1963	Stalcup	D3/34
3,362,448	1/1968	Everburg	150/52 J

Primary Examiner—George P. Word
Attorney, Agent, or Firm—Trexler, Bushnell & Wolters, Ltd.

[57] CLAIM

The ornamental design for a casing for a contact lens case, substantially as shown and described.

DESCRIPTION

FIG. 1 is a perspective view of a casing for a contact lens case showing our new design;
FIG. 2 is a right side elevational view thereof;
FIG. 3 is a left side elevational view thereof;
FIG. 4 is a front elevational view, the rear elevational view being a mirror image thereof;
FIG. 5 is a top plan view, the bottom surface being substantially plain and unornamented.

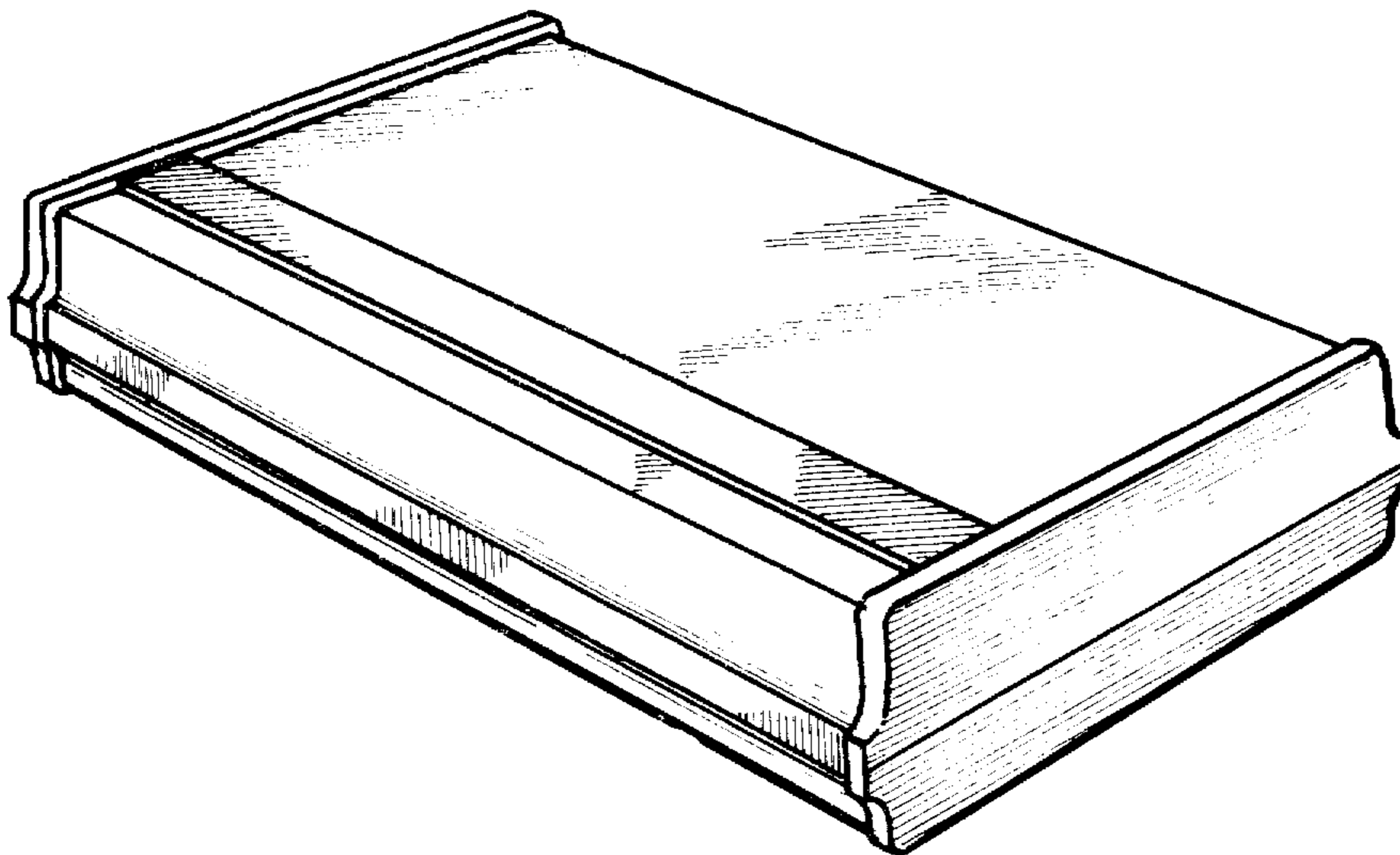


FIG. 1

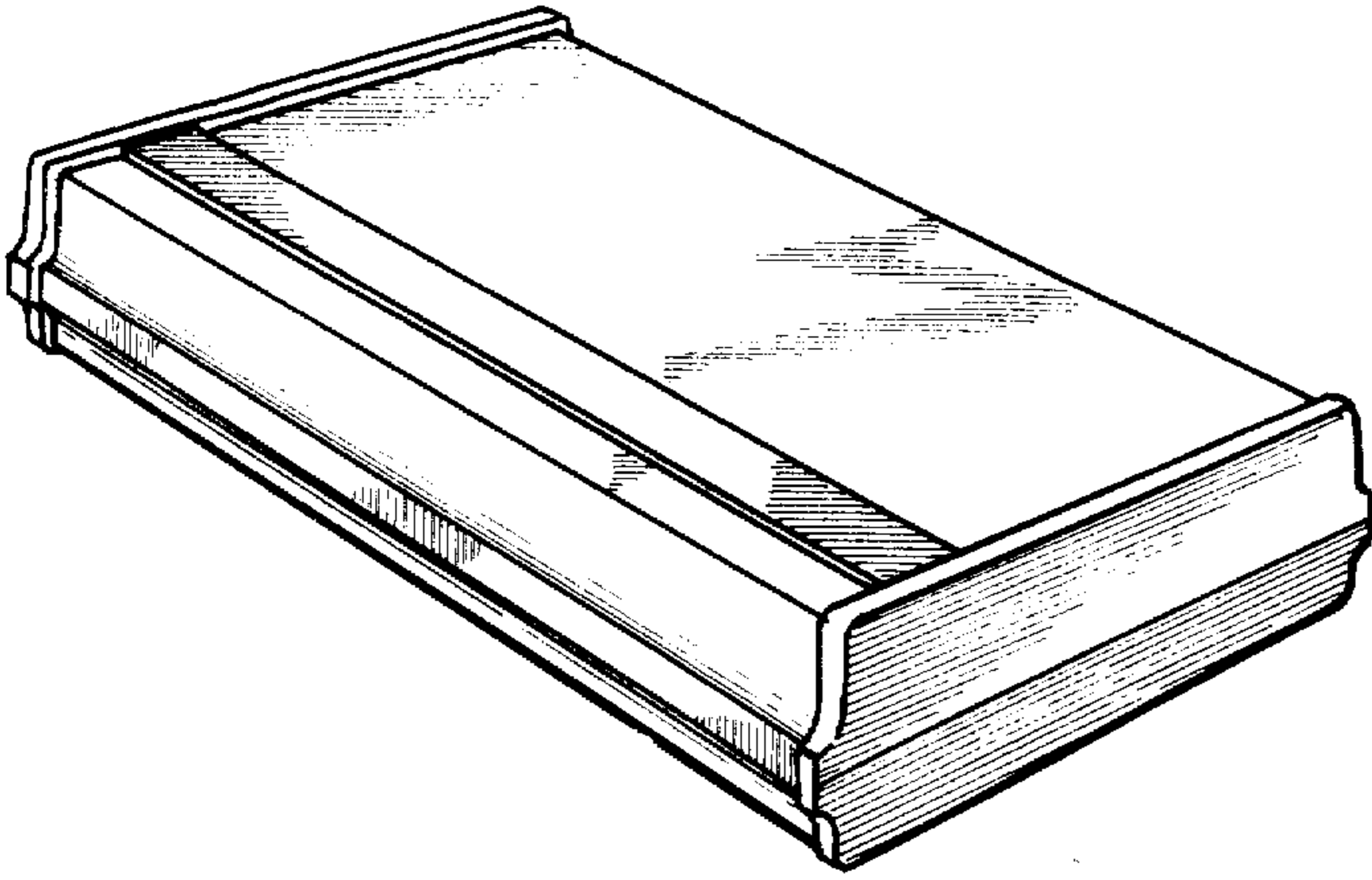


FIG. 2

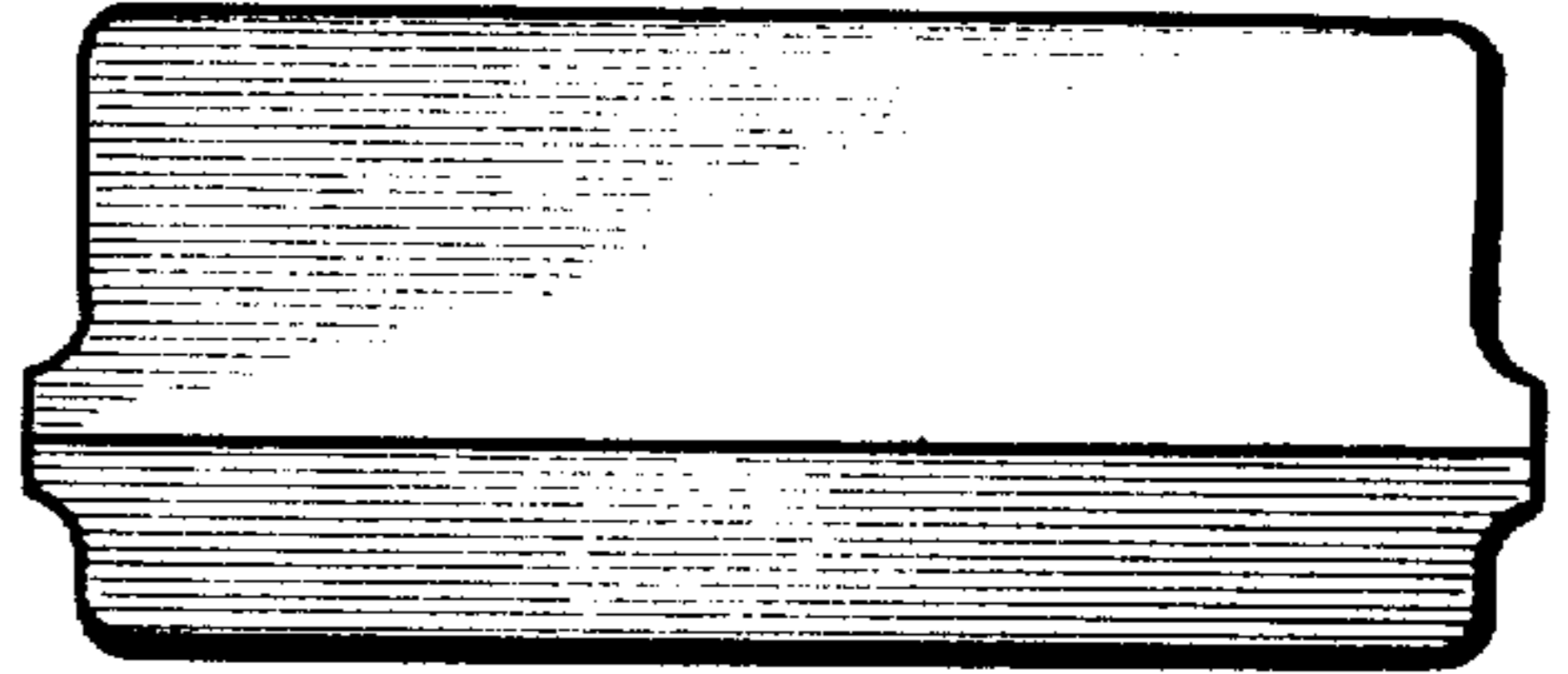


FIG. 3

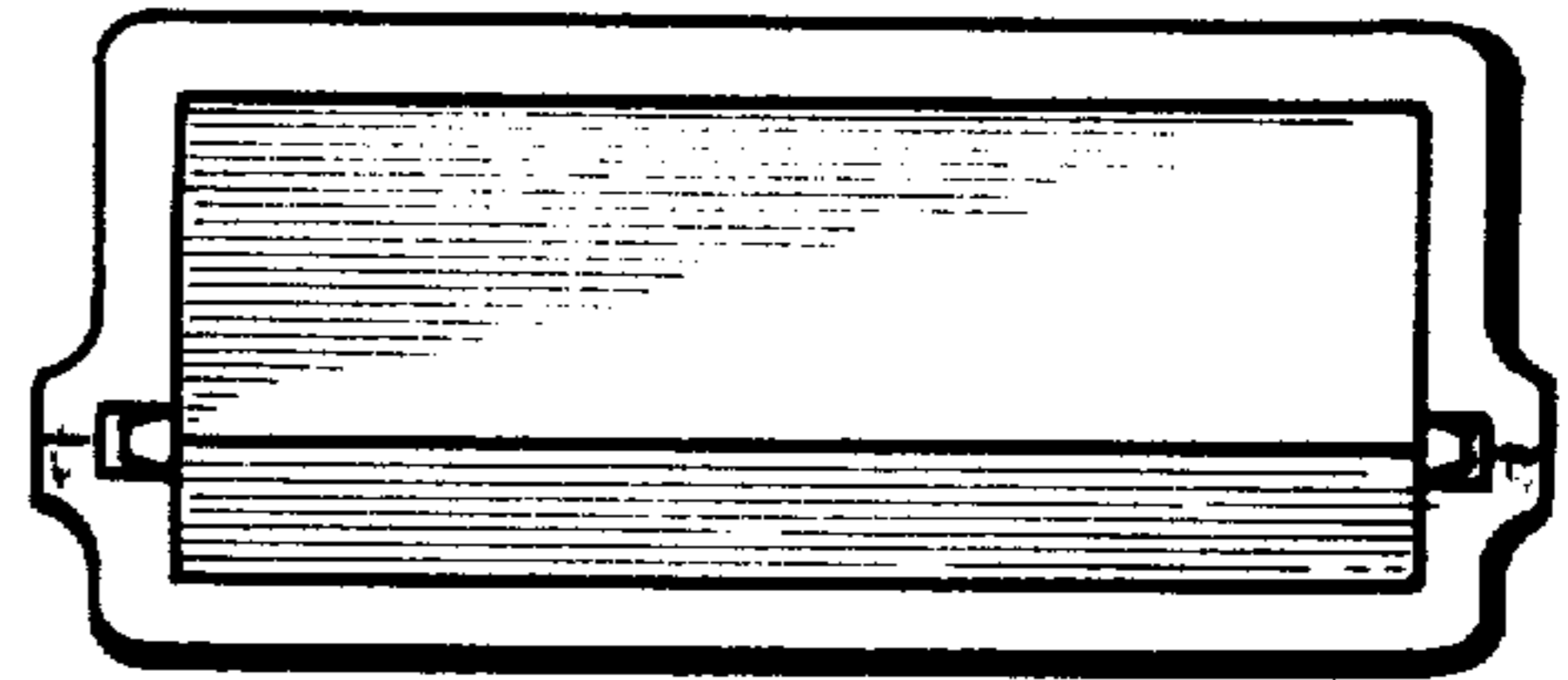


FIG. 4

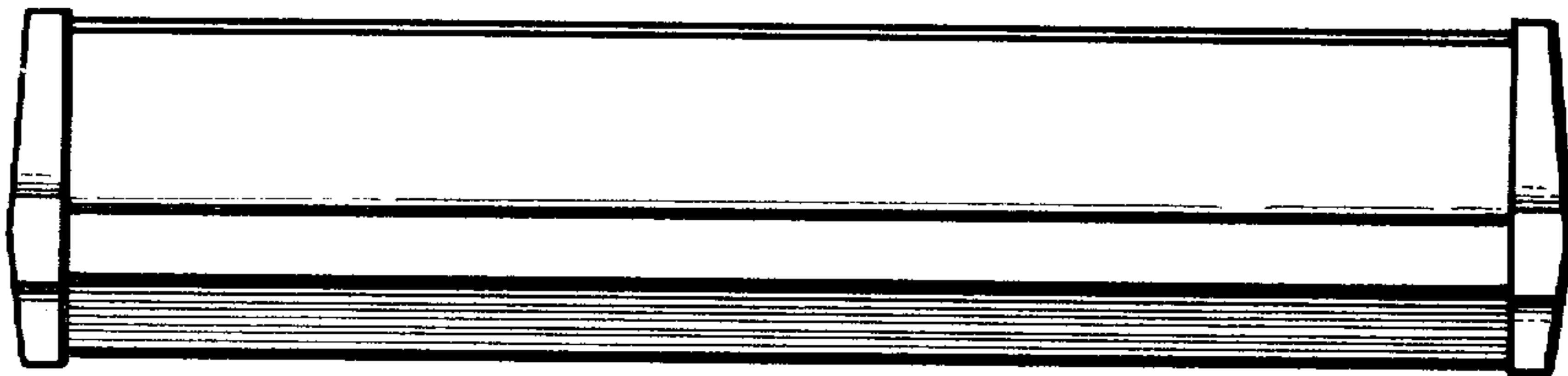


FIG. 5

