

[54] **LIQUID ASHTRAY**

[76] **Inventor:** **Forrest C. Johnstonbaugh, Box 133
AA, R.D., Petersburg, Pa. 16669**

[**] **Term:** **14 Years**

[21] **Appl. No.:** **192,930**

[22] **Filed:** **Oct. 1, 1980**

[51] **Int. Cl.** **D27—03**
[52] **U.S. Cl.** **D27/08**
[58] **Field of Search** **D27/8-29;**
131/231, 232, 233, 235 R, 236, 238, 240 R, 241,
242

[56] **References Cited**

U.S. PATENT DOCUMENTS

3,082,901 3/1963 Nakagawa 131/242 X
4,060,092 11/1977 Pappas 131/236

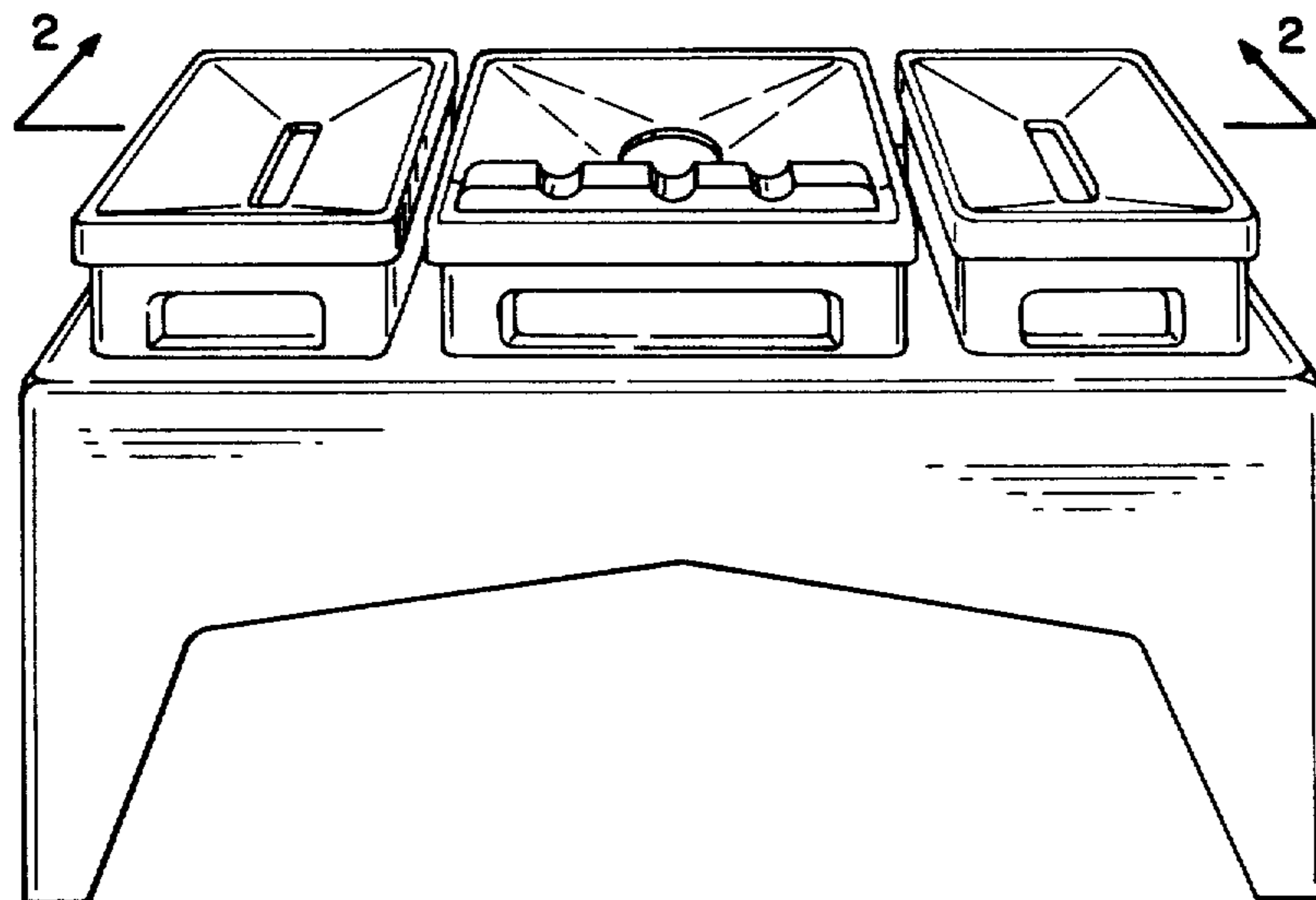
Primary Examiner—Catherine E. Kemper
Attorney, Agent, or Firm—Thomas E. Sterling

[57] **CLAIM**

The ornamental design for a liquid ashtray, substantially as shown.

DESCRIPTION

FIG. 1 is a front perspective front view of a liquid ashtray, showing my new design;
FIG. 2 is a cross-sectional view of the design taken along lines 2—2 of FIG. 1;
FIG. 3 is a cross-sectional view of the design taken along lines 3—3 of FIG. 2;
FIG. 4 is another front perspective view thereof;
FIG. 5 is a left side elevational view thereof.



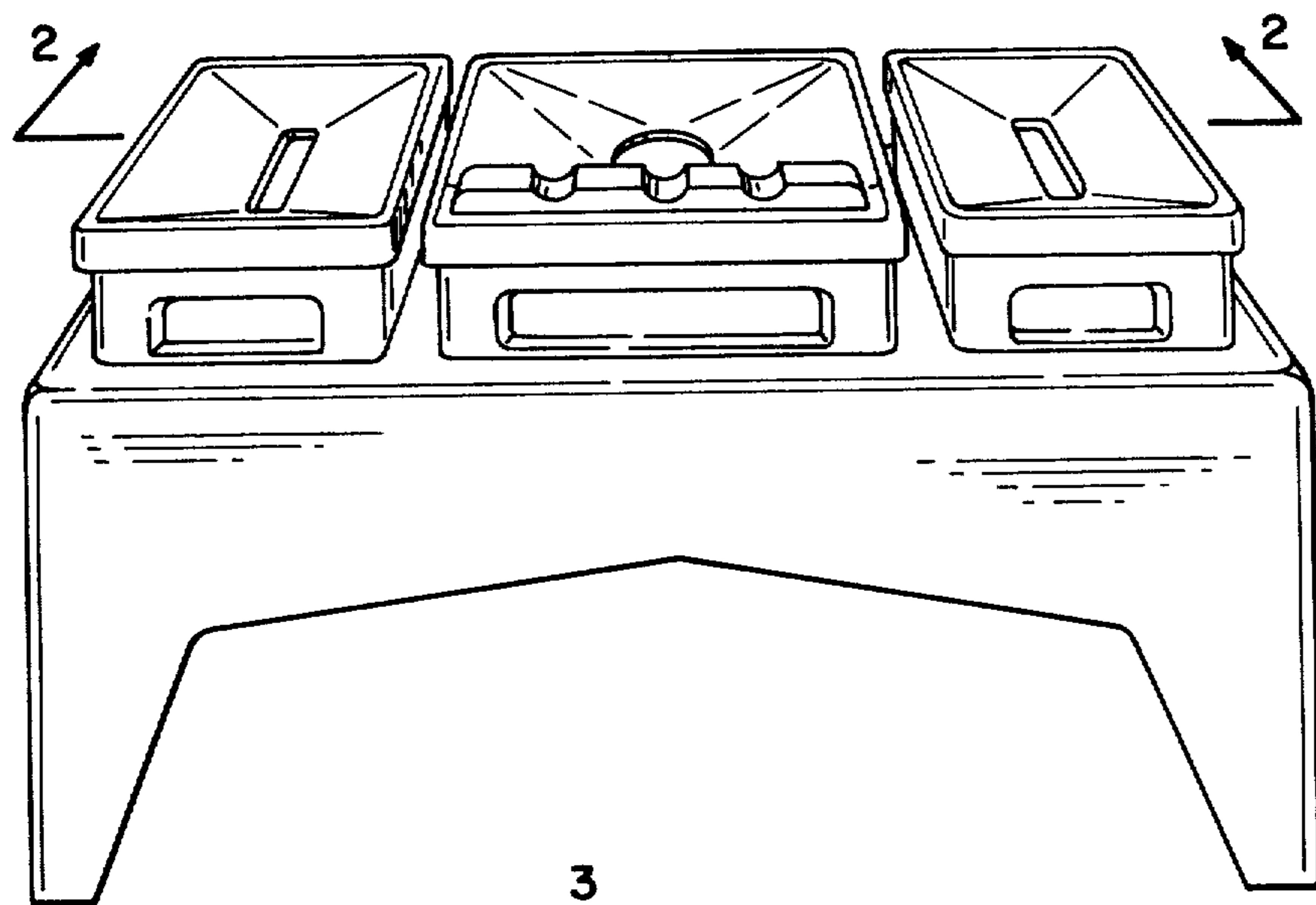


Fig. 1.

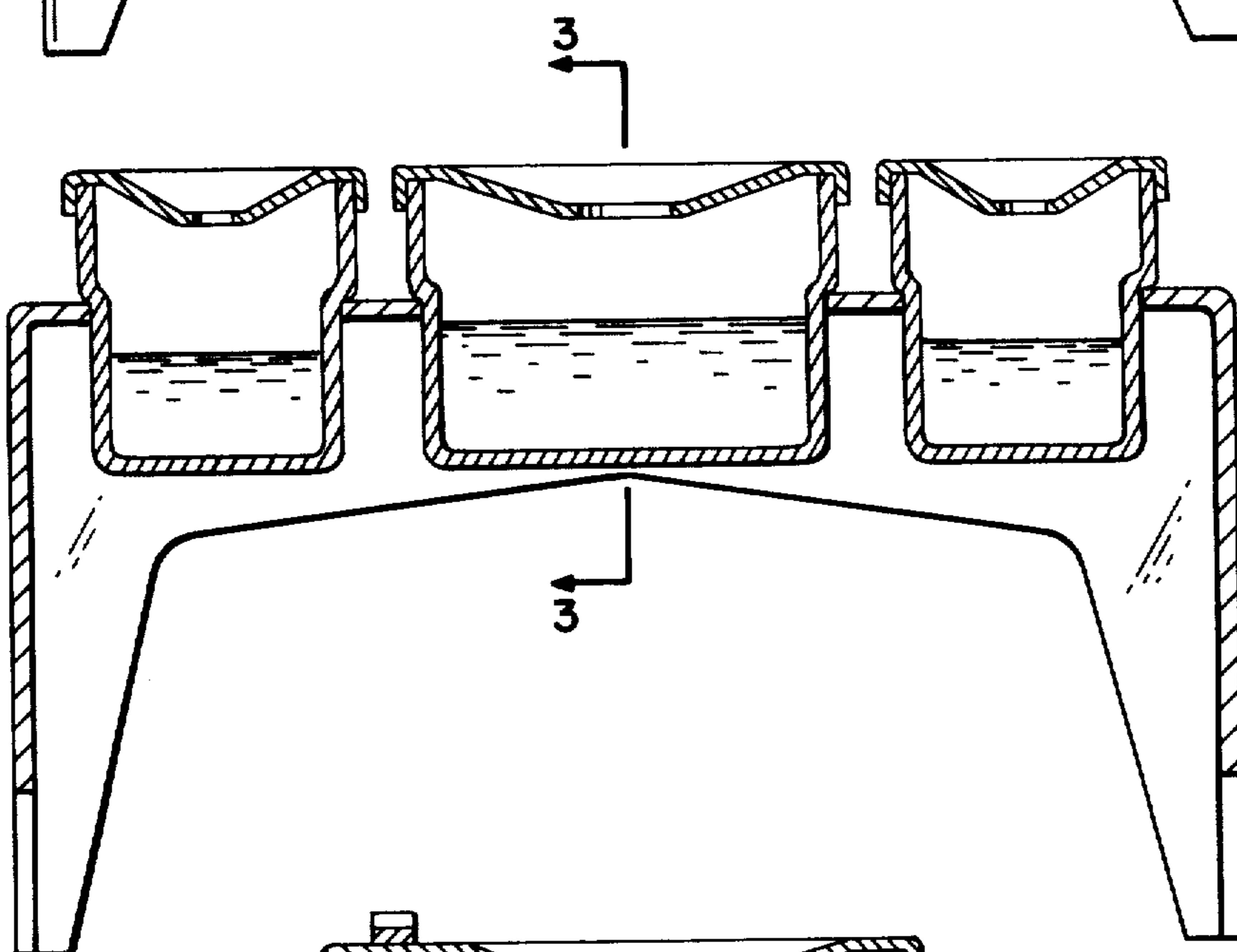


Fig. 2.

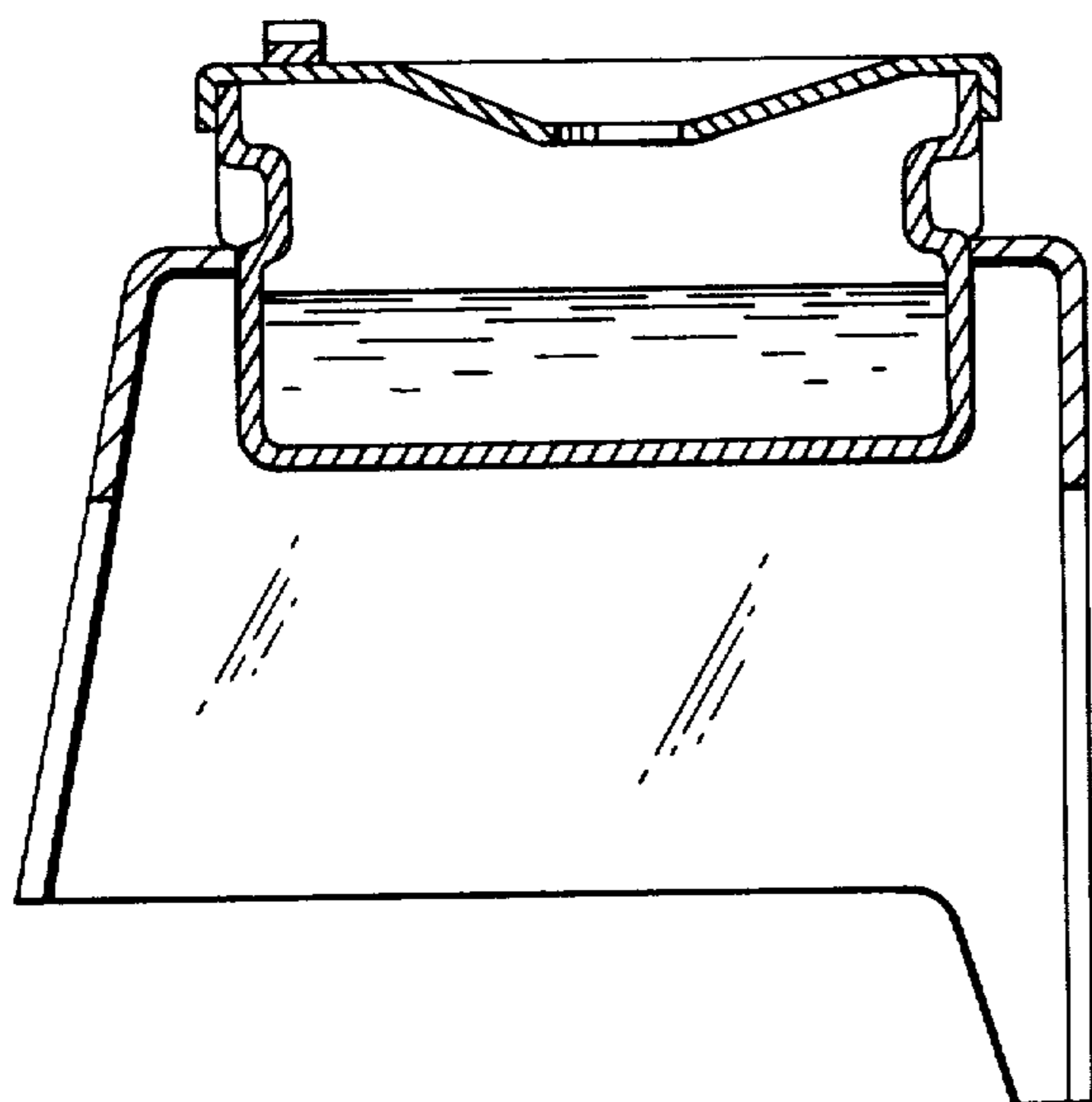


Fig. 3.

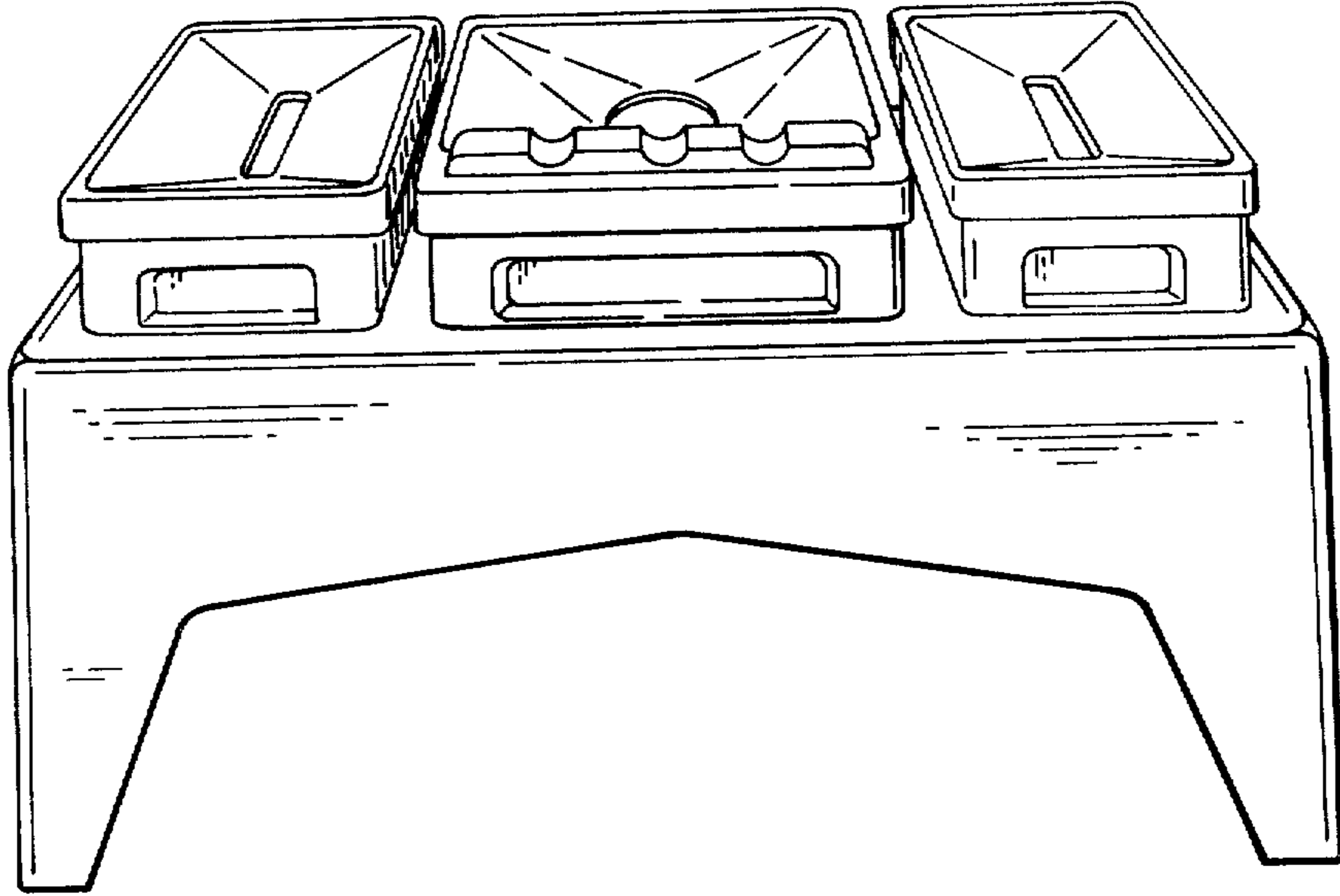


Fig. 4

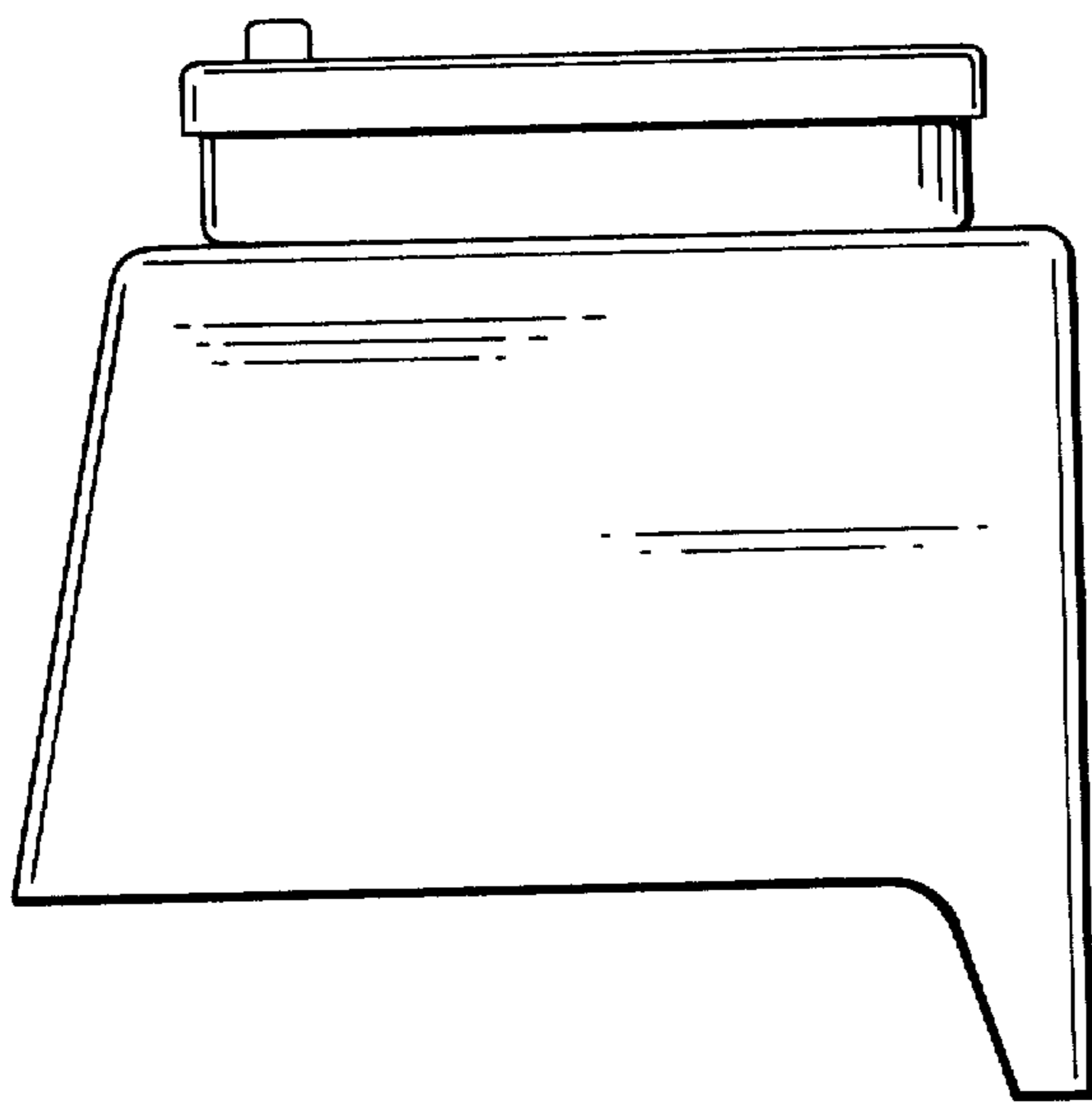


Fig. 5