

[54] **LIGHTING FIXTURE**

- [75] Inventor: **Motoko Ishii**, Tokyo, Japan
- [73] Assignee: **Motoko Ishii Lighting Design Incorporated**, Tokyo, Japan
- [\*\*] Term: **14 Years**
- [21] Appl. No.: **64,473**
- [22] Filed: **Aug. 6, 1979**

- [51] Int. Cl. .... **D26—05**
- [52] U.S. Cl. .... **D26/83**
- [58] Field of Search ..... **D26/24, 72, 74, 80, D26/81, 82, 83, 84, 85, 86, 88, 89, 90, 91, 92; 362/806, 404, 405, 406, 407, 408, 350, 351, 353, 354, 355, 362, 363, 227, 233, 235, 236, 237, 238, 239, 240, 241, 242, 244, 245, 246, 249, 250**

[56] **References Cited**  
**FOREIGN PATENT DOCUMENTS**

1210505 9/1959 France ..... 362/354

**OTHER PUBLICATIONS**

Georgian Art Lighting Designs, Inc. Catalog, 1973, p. 12C, Carport Light #H-903.  
Lightolier Catalog, ©1970, p. 52, Ceiling Fixture #40786.  
Sweets Architectural Catalog File, 1975, sec. 16.9/GRO, p. 7, Chandelier Cube.  
Virden Lighting Catalog, ©1971, p. 7—Ceiling Fixture, #V-5206.

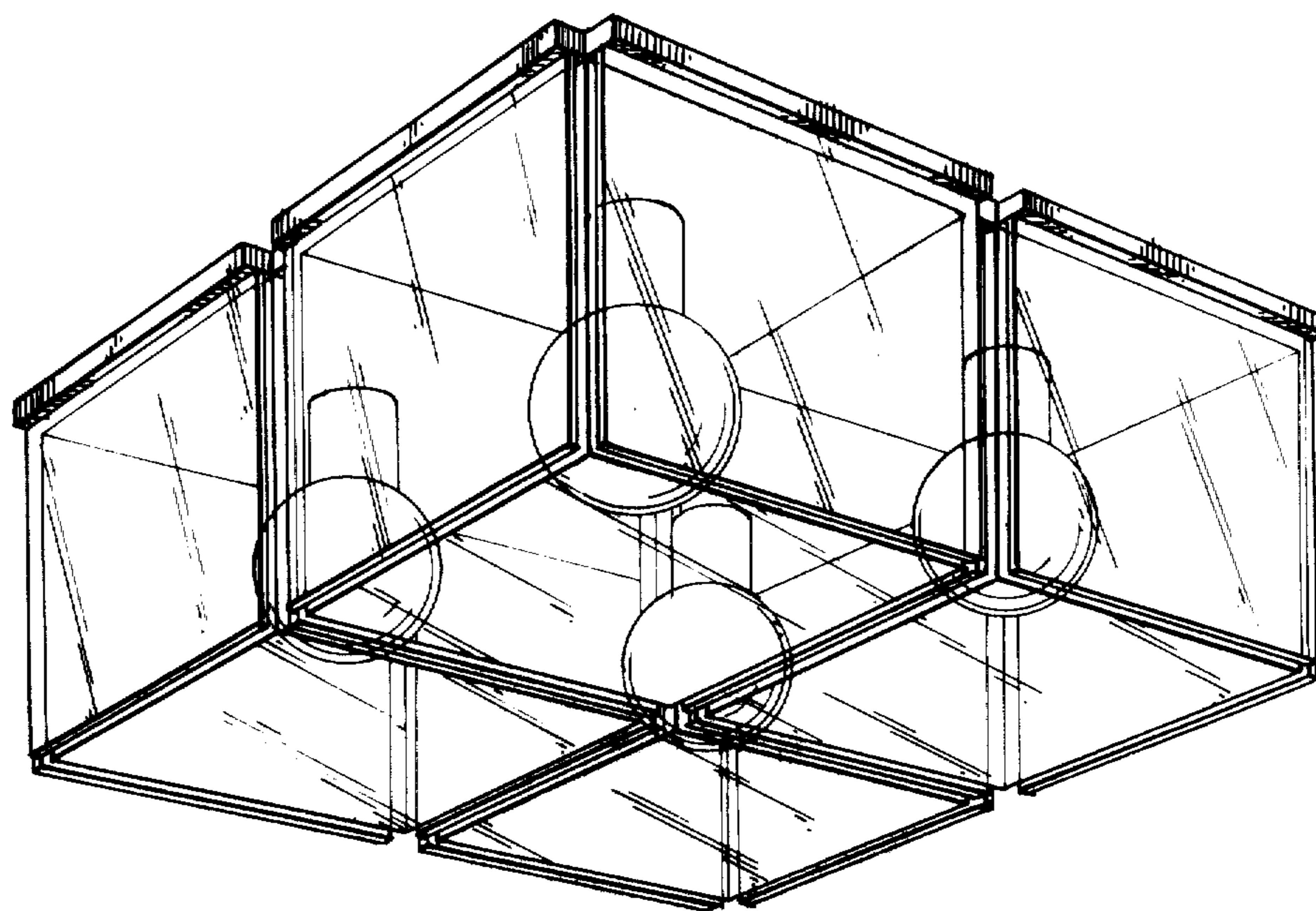
*Primary Examiner*—Susan J. Lucas  
*Attorney, Agent, or Firm*—Mawhinney & Mawhinney & Connors

**CLAIM**

[57] The ornamental design for a lighting fixture.

**DESCRIPTION**

FIG. 1 is a perspective view of the lighting fixture arranged in a bank or group.  
FIG. 2 is a side elevational view of FIG. 1.  
FIG. 3 is a bottom plan view of FIG. 1, and,  
FIG. 4 is a perspective view of one fixture in the bank or group with each fixture being identical in appearance.



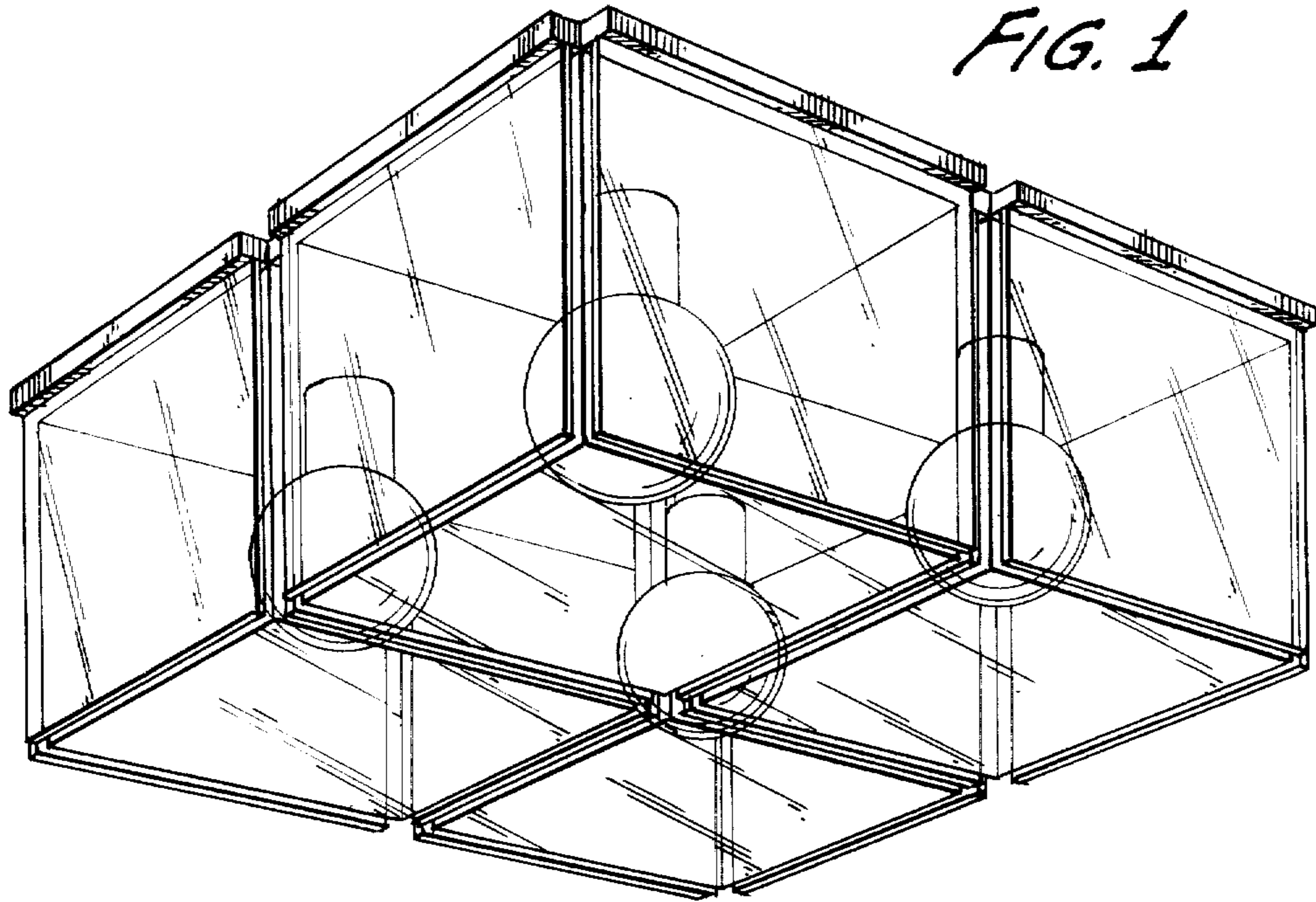


FIG. 1

FIG. 2

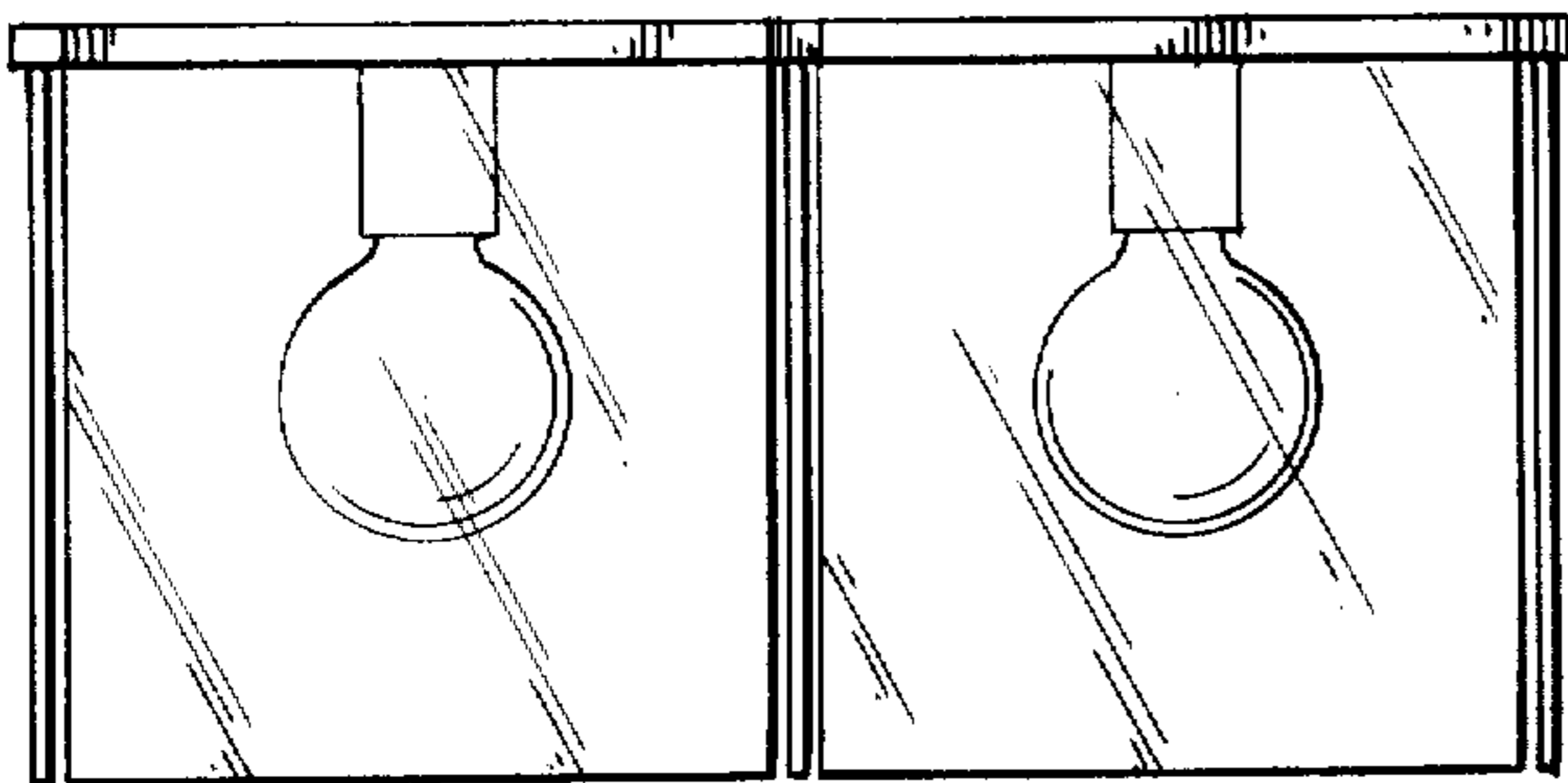


FIG. 3

FIG. 4

