

[54] FACIAL SAUNA

[75] Inventors: Paul D. Burian, Elmsford, N.Y.;  
Meyrick K. Rogers, Lancaster, Pa.

[73] Assignee: Clairol Incorporated, New York,  
N.Y.

[\*\*] Term: 14 Years

[21] Appl. No.: 122,634

[22] Filed: Feb. 19, 1980

[51] Int. Cl. .... D23-04

[52] U.S. Cl. .... D23/148

[58] Field of Search ..... D28/9, 12, 17, 20, 99;  
D23/84, 148; D24/37; 219/271, 273; 128/368

[56] References Cited

U.S. PATENT DOCUMENTS

D. 161,669 1/1951 Zonne ..... D23/148

D. 193,956 10/1962 Yonkers ..... D23/148 X  
D. 212,286 9/1968 Mitchell ..... D23/148  
D. 217,719 6/1970 McNair ..... D23/148  
4,262,374 4/1981 Mikiya et al. .... 128/368 X

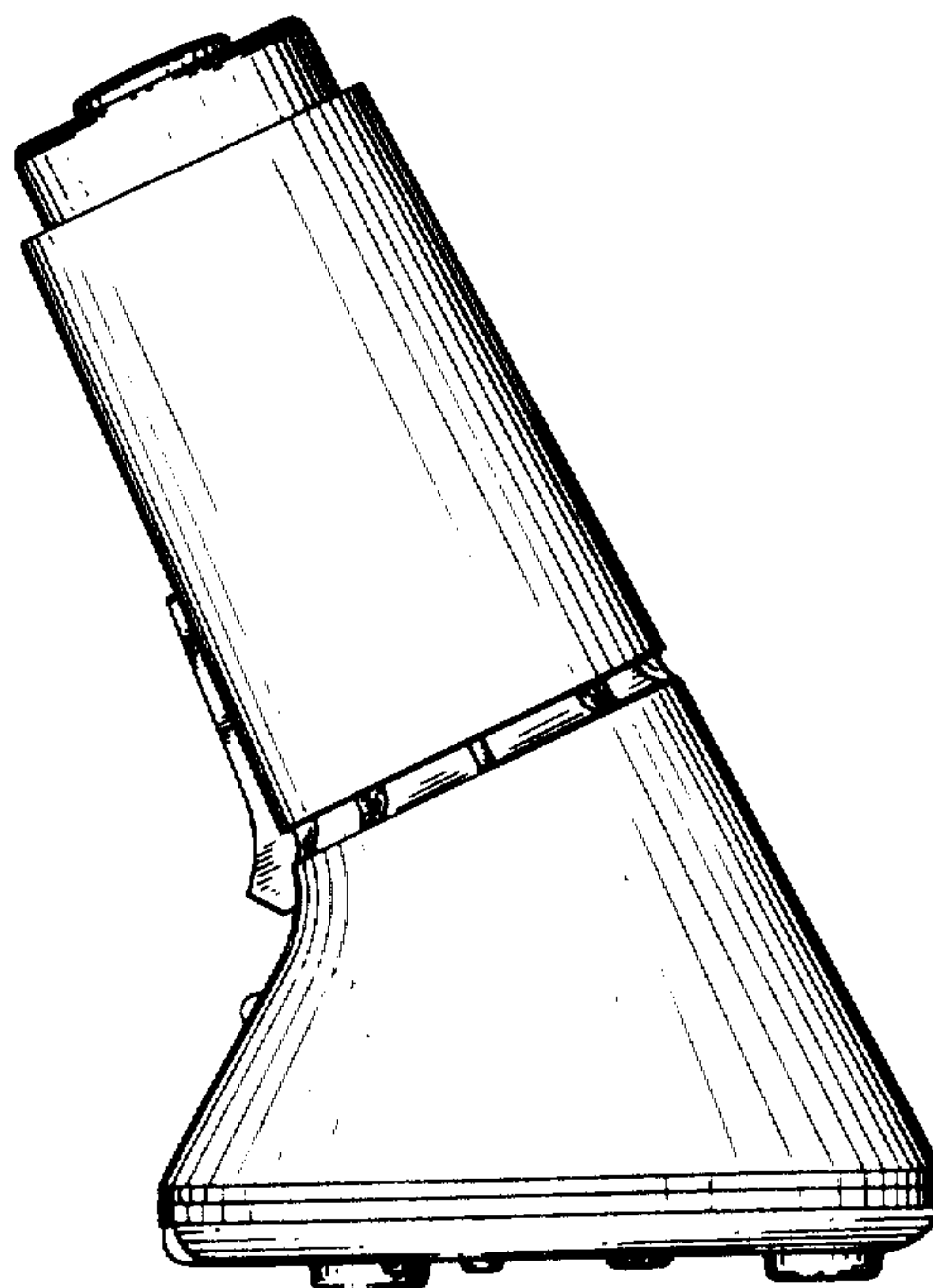
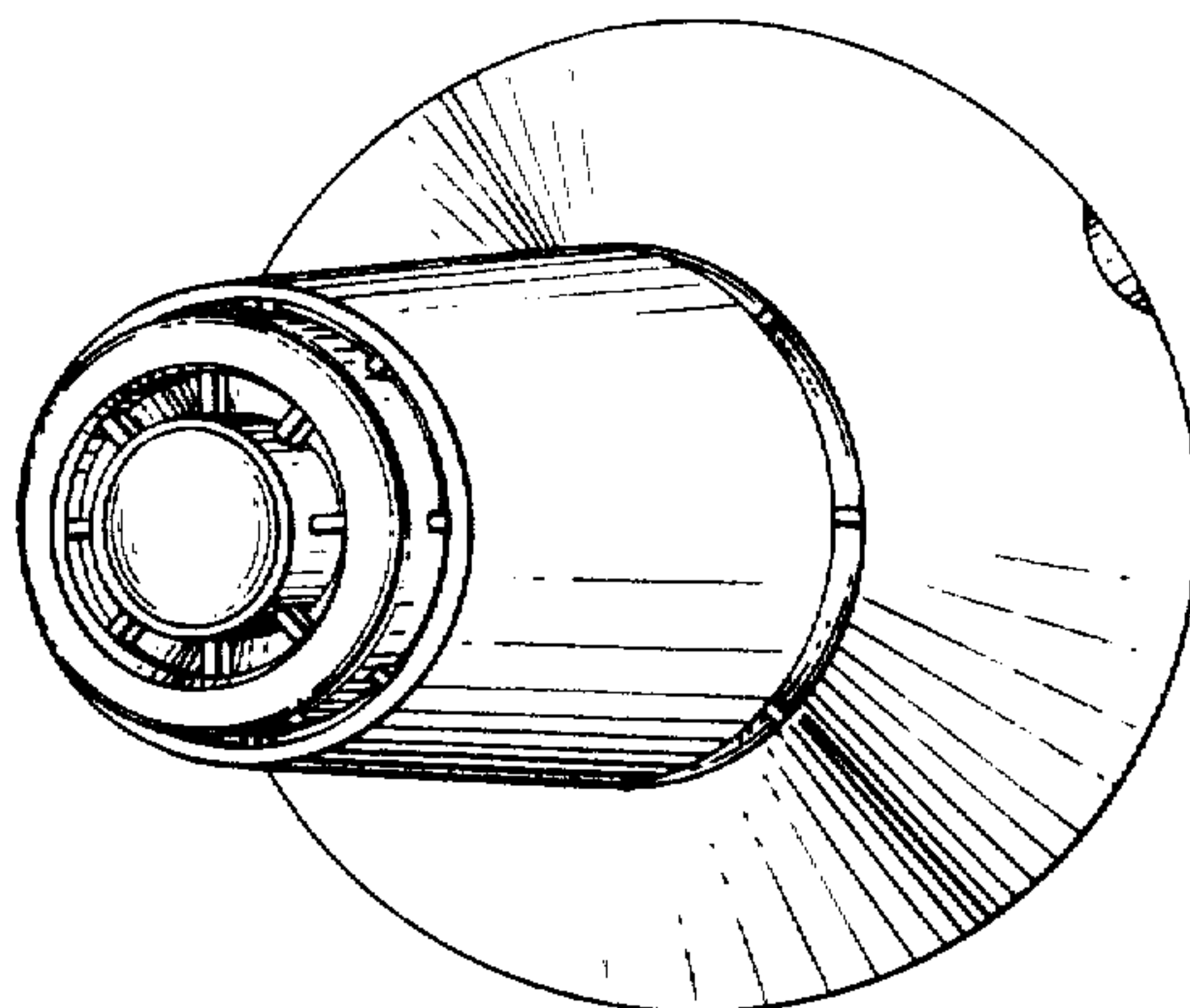
Primary Examiner—Louis S. Zarfes  
Attorney, Agent, or Firm—Isaac Jarkovsky; John J.  
Balsler; Gerald S. Rosen

[57] CLAIM

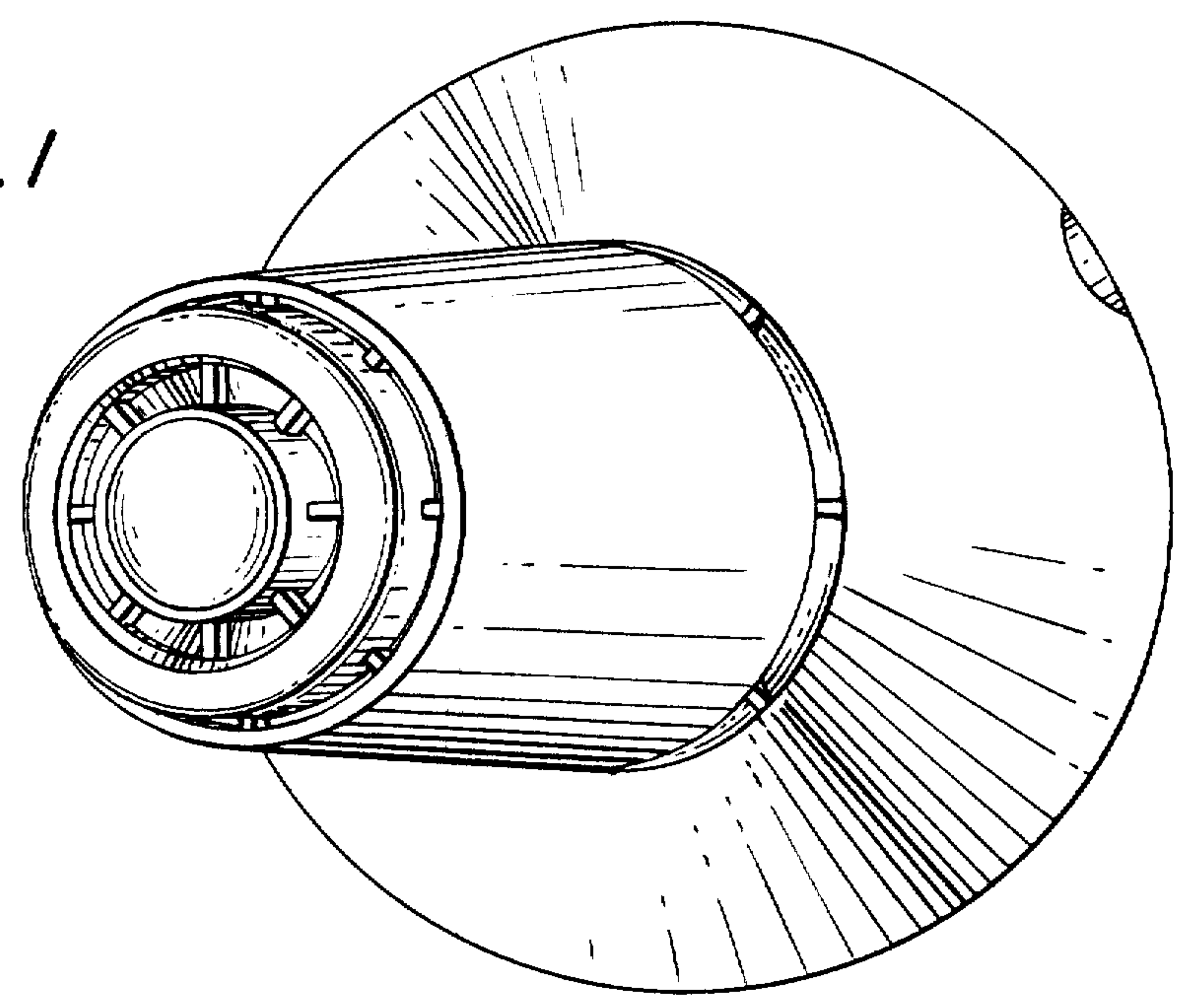
The ornamental design for a facial sauna, as shown and  
described.

DESCRIPTION

FIG. 1 is a perspective view of a facial sauna showing  
our new design;  
FIG. 2 is a left side elevational view thereof;  
FIG. 3 is a front elevational view thereof;  
FIG. 4 is a back elevational view thereof;  
FIG. 5 is a right side elevational view thereof; and  
FIG. 6 is a bottom plan view thereof.



*FIG. 1*



*FIG. 2*

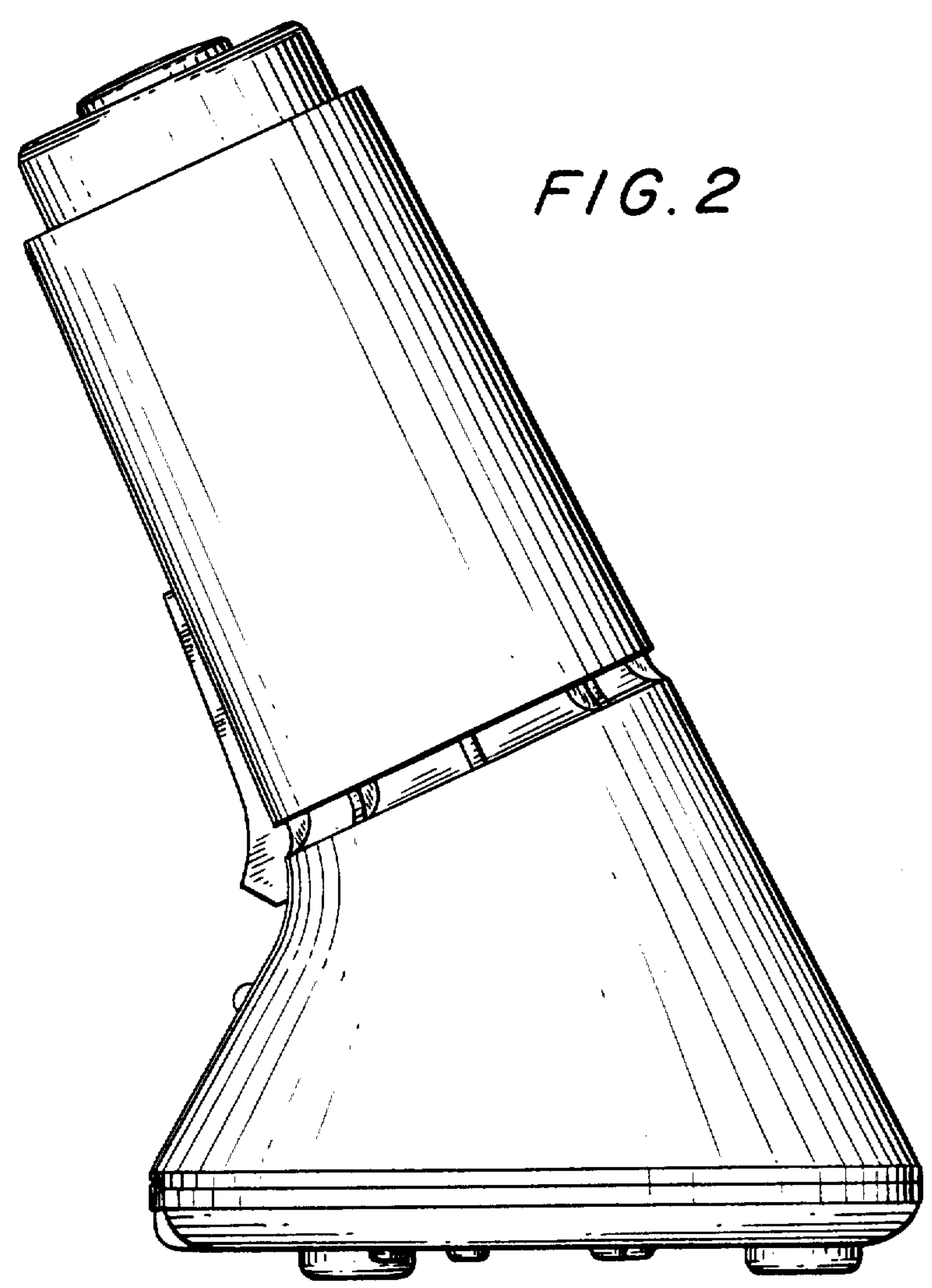


FIG. 4

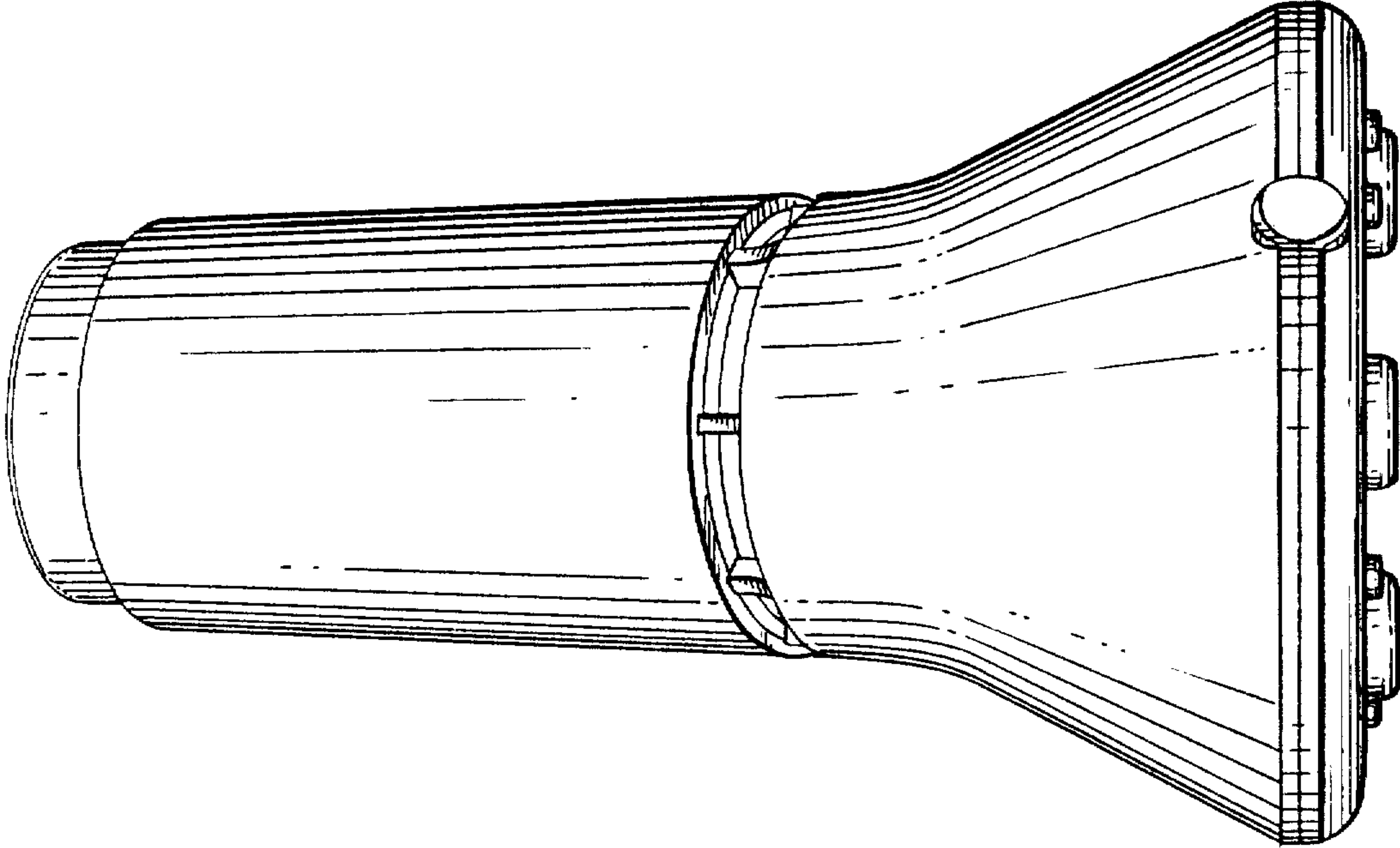
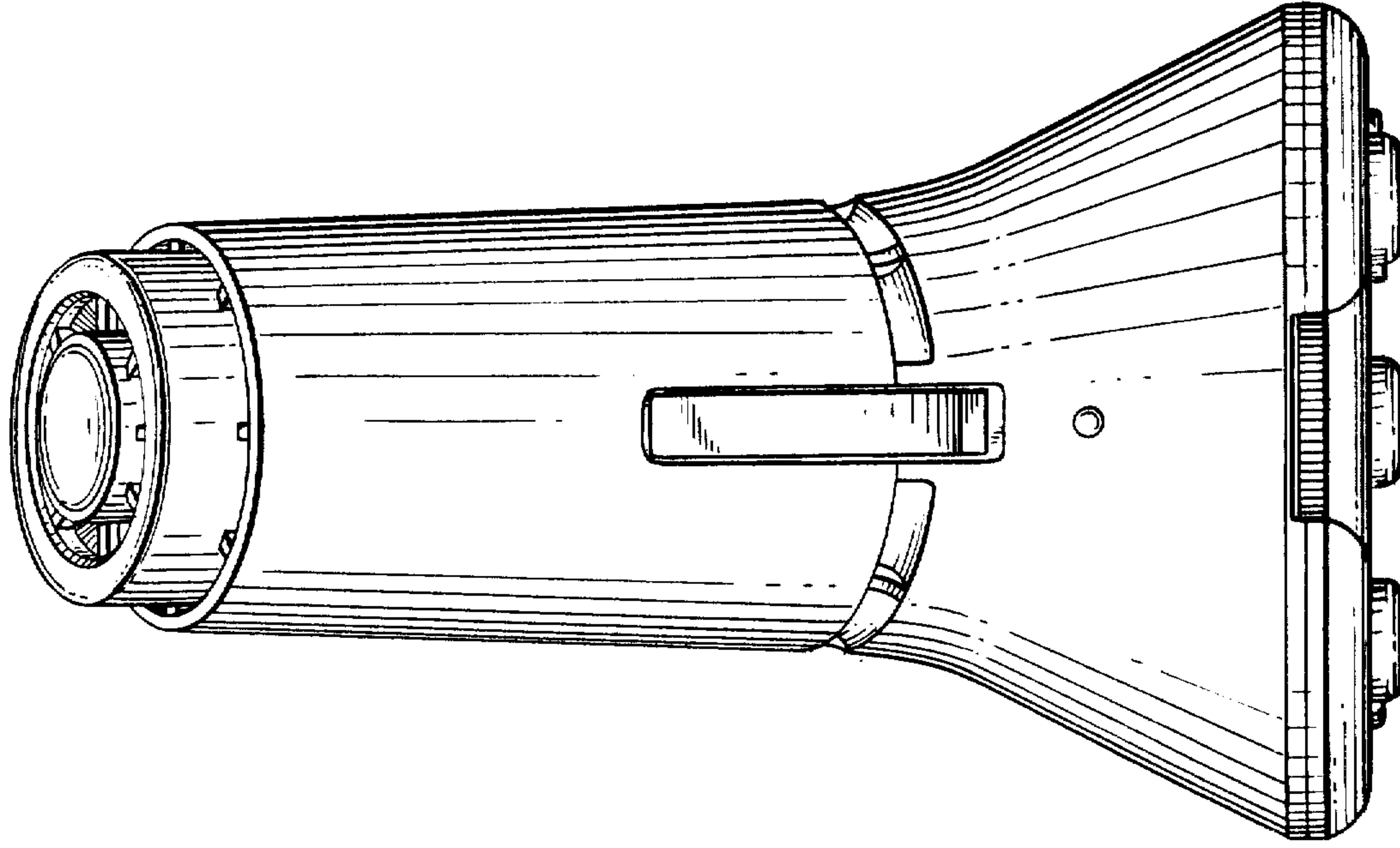
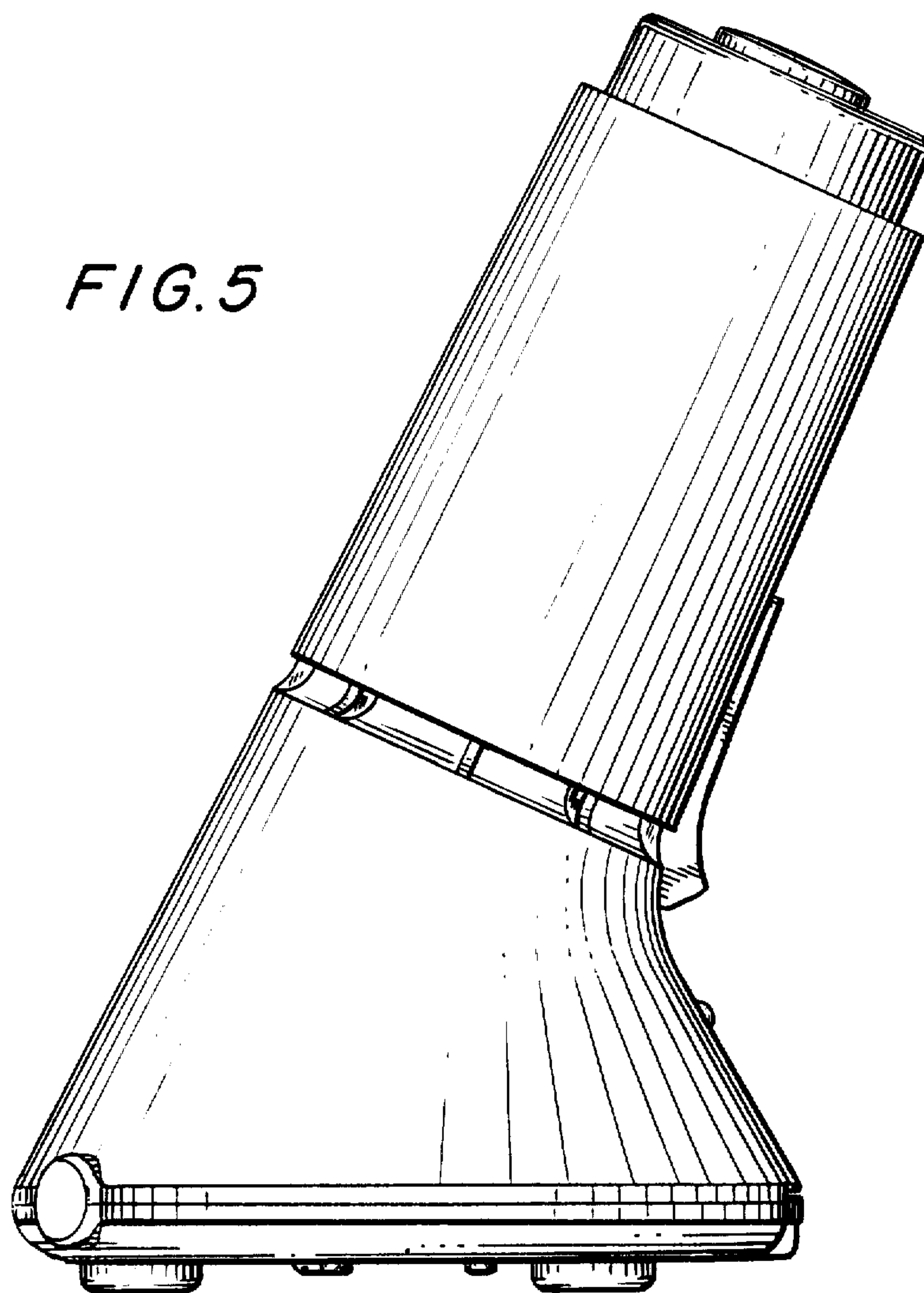


FIG. 3





*FIG. 5*



*FIG. 6*

