

[54] KINETIC SCULPTURE

[76] Inventor: **Hidetoshi Matsui**, 6, Imazunaka
3-chome, Tsurumi-ku, Osaka 538,
Japan

[**] Term: **14 Years**

[21] Appl. No.: **29,691**

[22] Filed: **Apr. 11, 1979**

[51] Int. Cl. **D11-02**

[52] U.S. Cl. **D21/102; D11/141;
D11/157**

[58] Field of Search **D11/141; D6/10; D21/62,
D21/102, 123; 46/131, 155**

[56] **References Cited**

U.S. PATENT DOCUMENTS

- D. 148,522 2/1948 Conger D21/123
- D. 161,731 1/1951 Boren, Sr. D6/10

FOREIGN PATENT DOCUMENTS

266667 5/1950 Switzerland 46/131

OTHER PUBLICATIONS

The Balancing Man on a Can Flyer photo at top.

Primary Examiner—Louis S. Zarfes
Attorney, Agent, or Firm—Pravel, Gambrell, Hewitt,
Kirk & Kimball

[57] **CLAIM**

The ornamental design for a kinetic sculpture, as shown and described.

DESCRIPTION

FIG. 1 is a front elevational view of a kinetic sculpture showing my new design;
 FIG. 2 is a rear elevational view;
 FIG. 3 is a top plan view;
 FIG. 4 is a bottom plan view;
 FIG. 5 is an elevational view looking from the right of FIG. 1; and
 FIG. 6 is a perspective view of the kinetic sculpture.

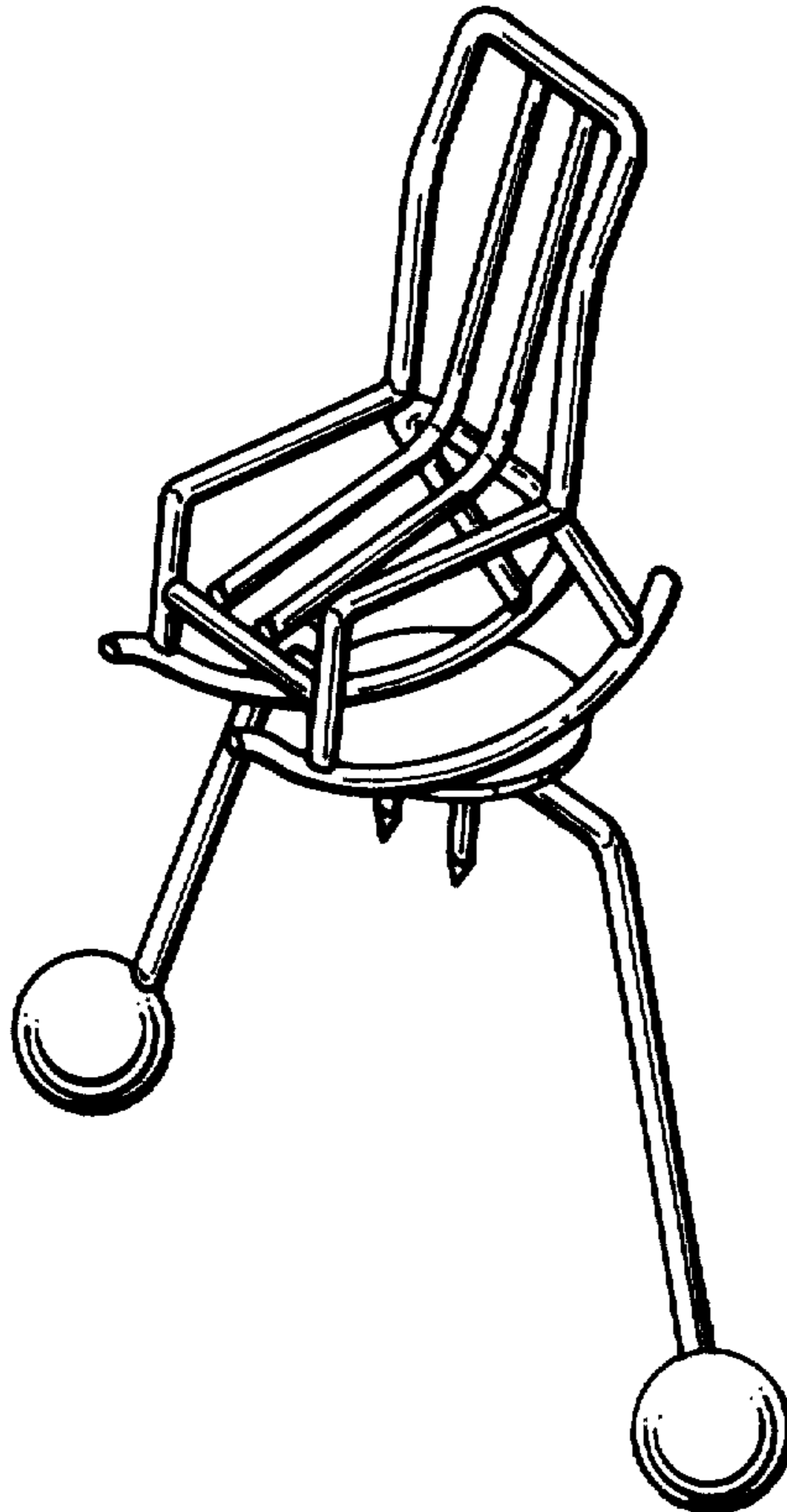


FIG.1

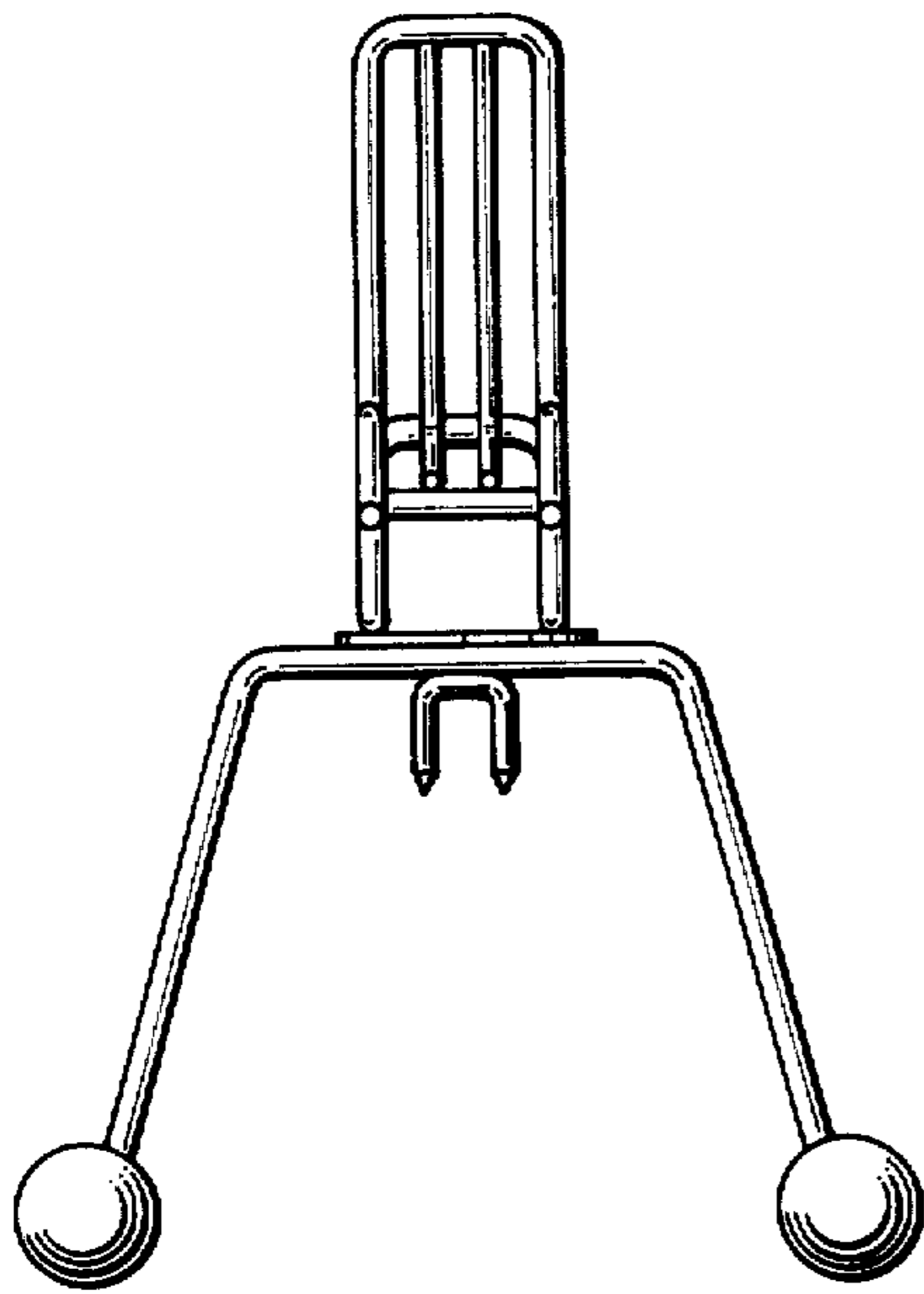


FIG.2

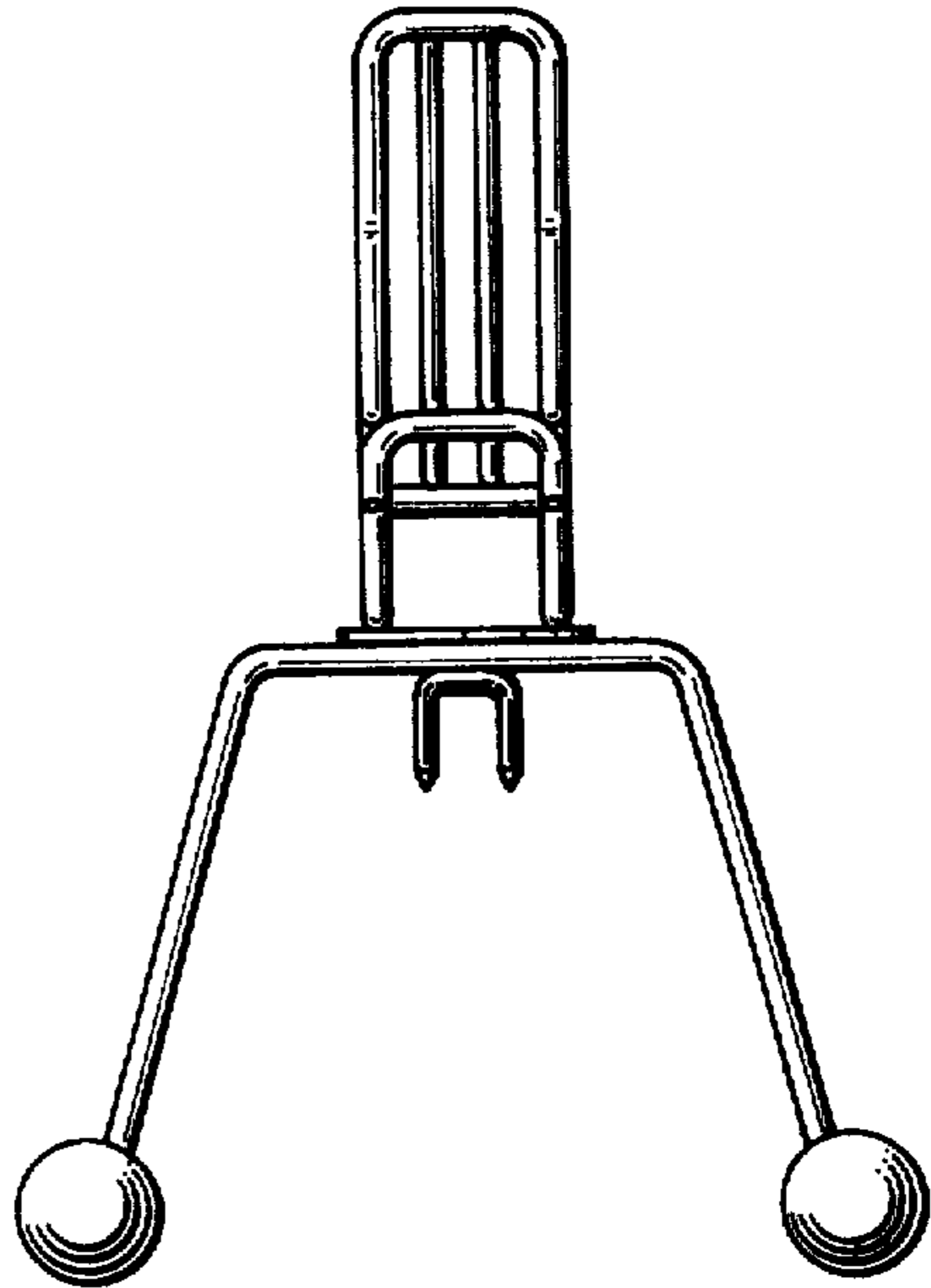


FIG.3

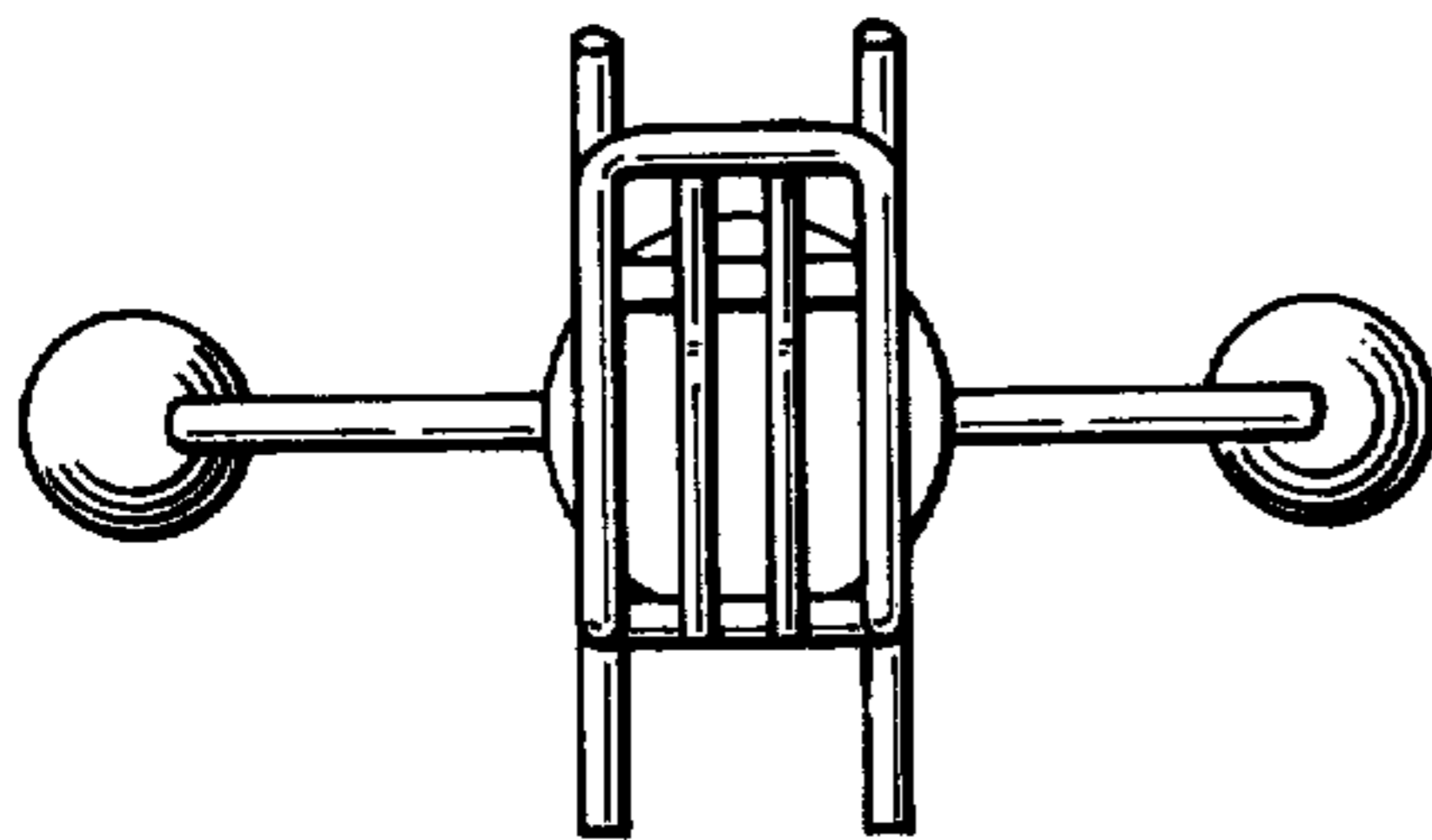


FIG.4

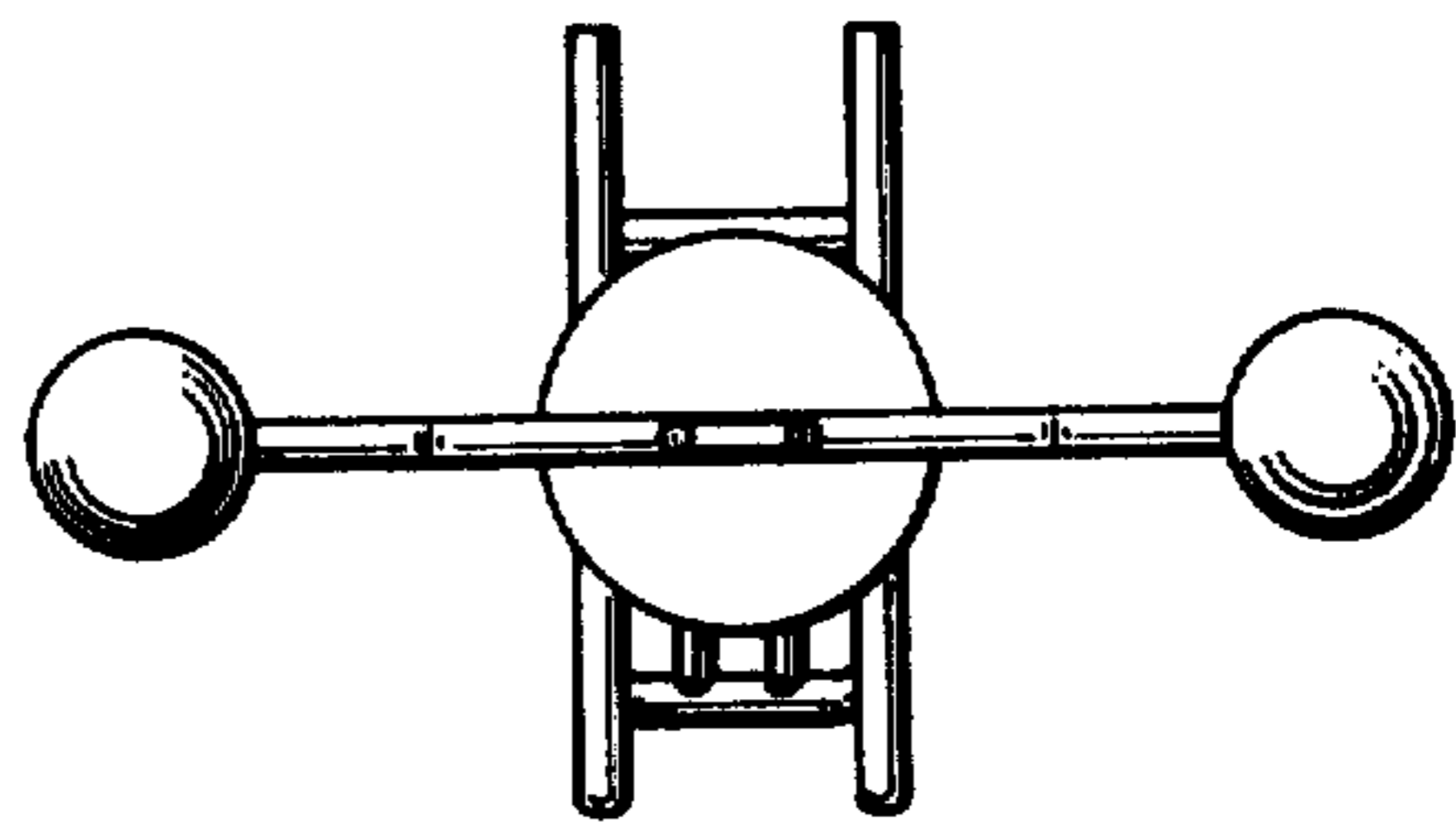


FIG.5

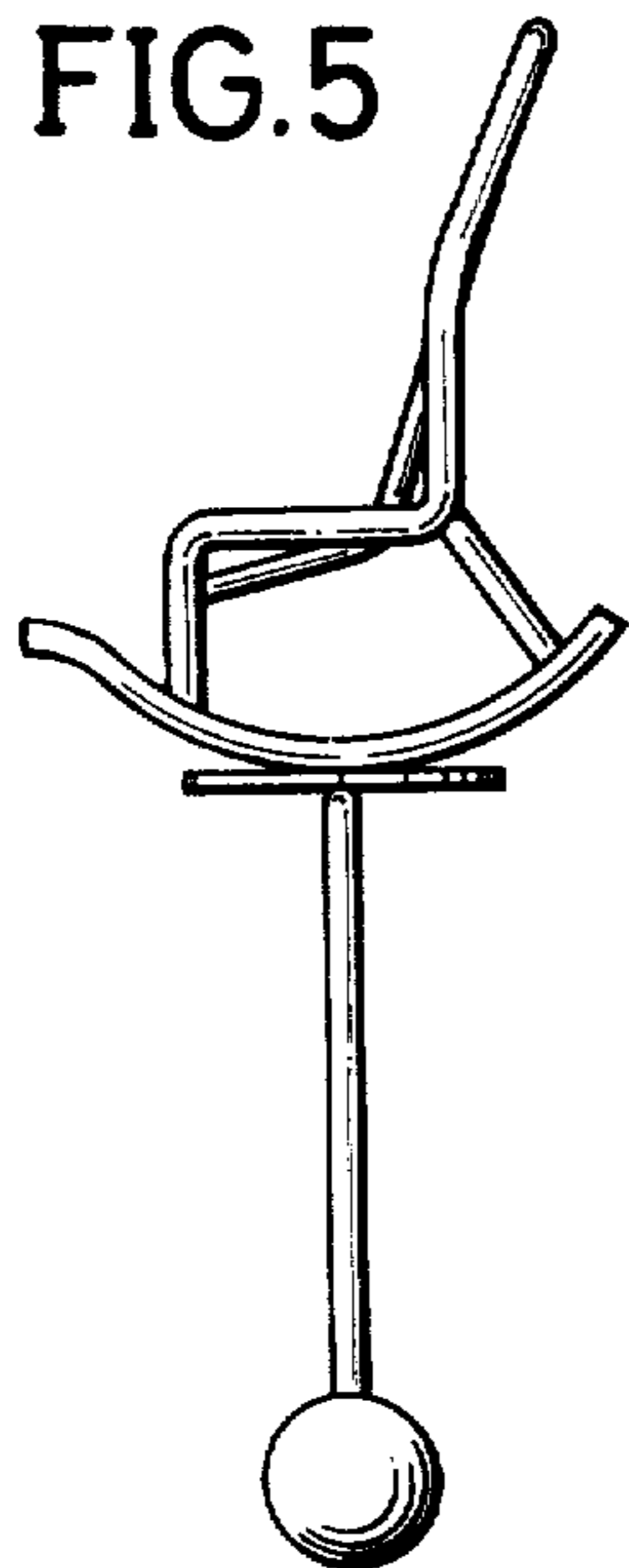


FIG.6

