

[54] **BASKETBALL SHOOTING TOY**

[76] **Inventor:** Ellis R. Hailey, 3614 Johnston Way,  
Louisville, Ky. 40220

[\*] **Notice:** The portion of the term of this patent  
subsequent to Oct. 30, 1993, has been  
disclaimed.

[\*\*] **Term:** 14 Years

[21] **Appl. No.:** 112,516

[22] **Filed:** Jan. 16, 1980

[51] **Int. Cl.** ..... D21-01  
[52] **U.S. Cl.** ..... D21/2; D21/27  
[58] **Field of Search** ..... D21/27, 2; 273/85 E

[56] **References Cited**

**U.S. PATENT DOCUMENTS**

D. 253,292 10/1979 Hailey ..... D21/2

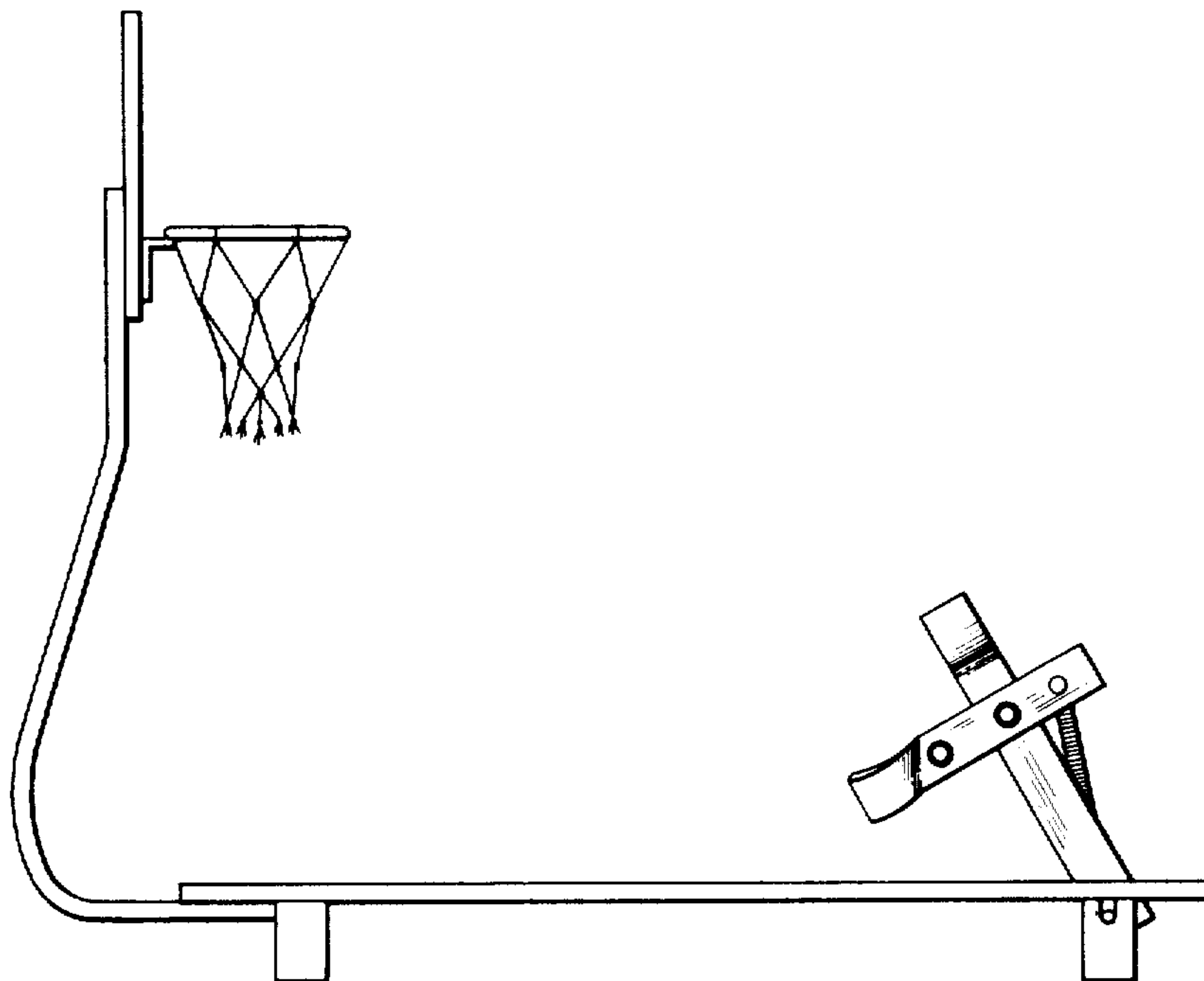
*Primary Examiner*—Melvin B. Feifer  
*Attorney, Agent, or Firm*—Maurice L. Miller, Jr.

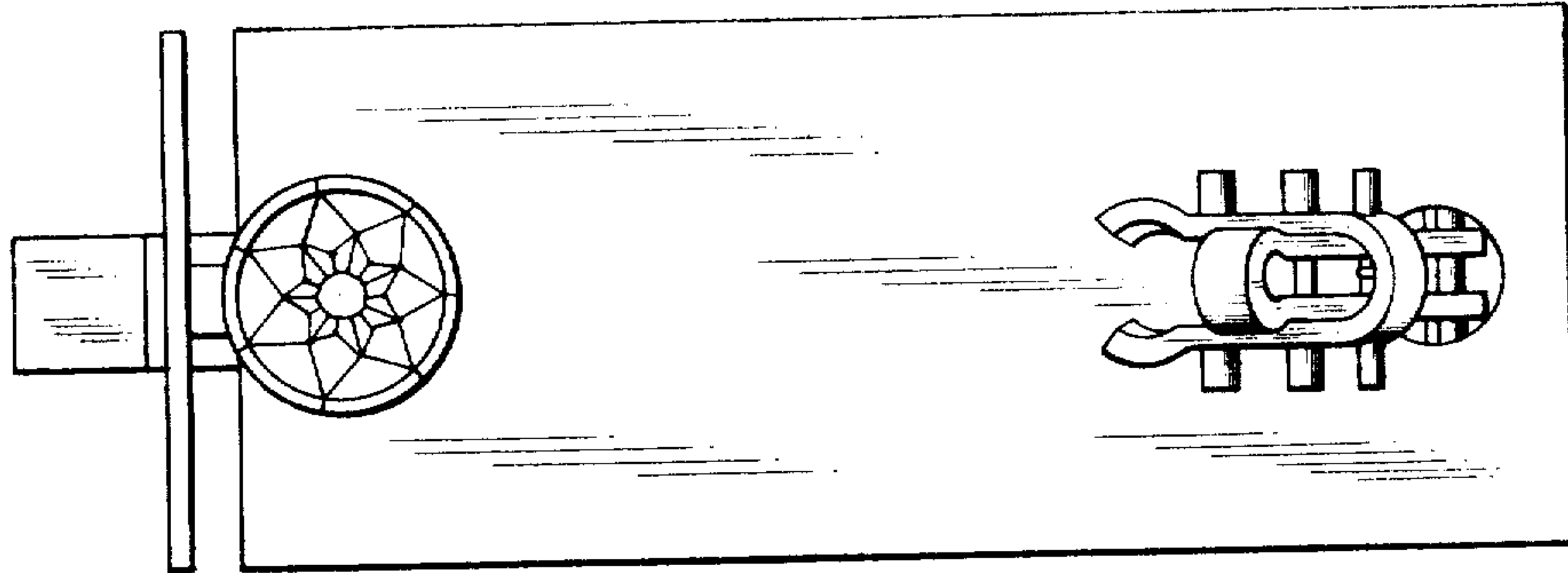
[57] **CLAIM**

The ornamental design for a basketball shooting toy, as  
shown.

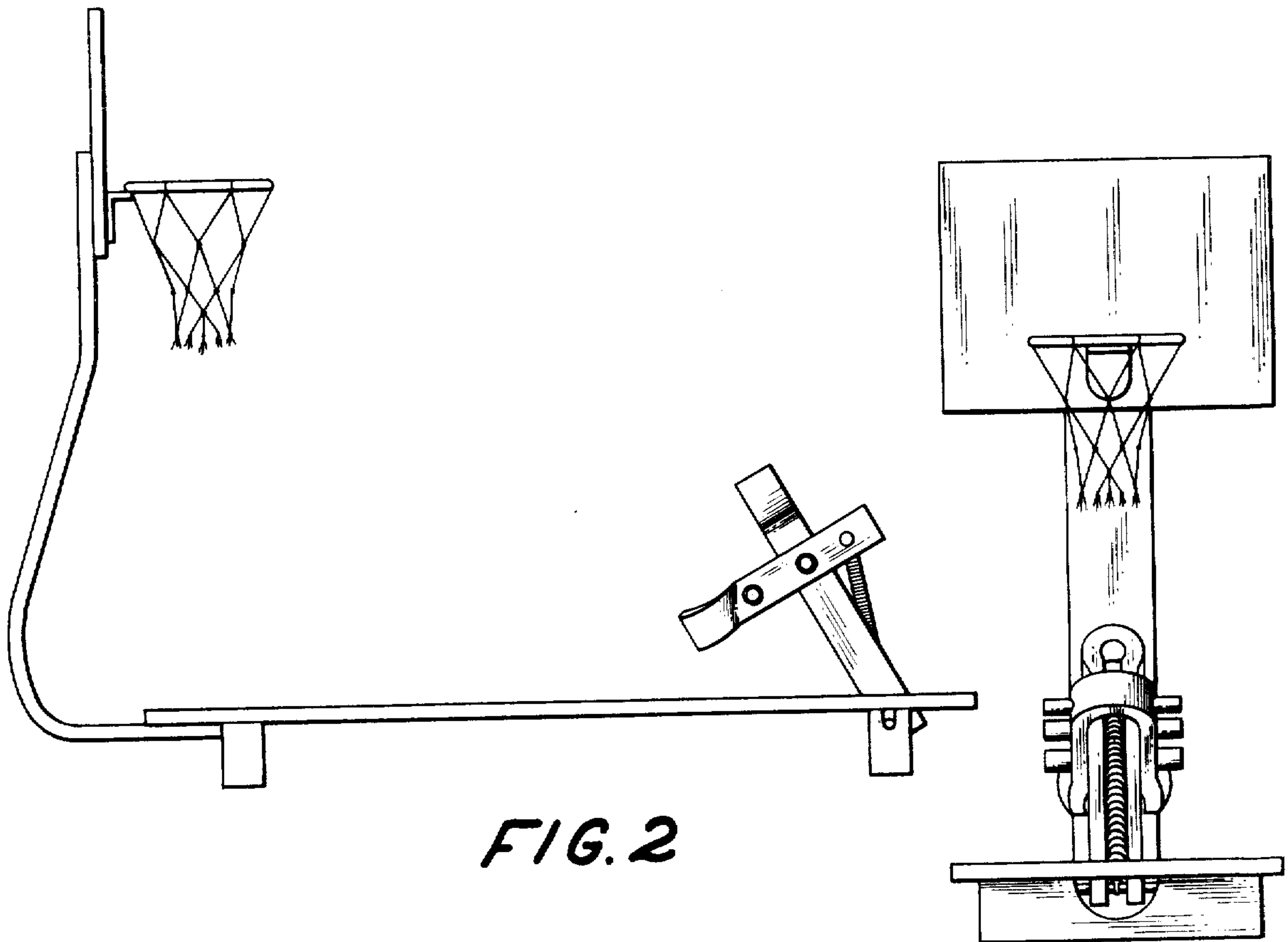
**DESCRIPTION**

FIG. 1 is a top plan view of a basketball shooting toy  
embodying the present design, this view showing the  
shooter in its extreme left shooting position;  
FIG. 2 is a side elevational view of the design of FIG.  
1;  
FIG. 3 is a bottom plan view of FIG. 1; and  
FIG. 4 is an end elevational view of the design as seen  
in FIG. 1.

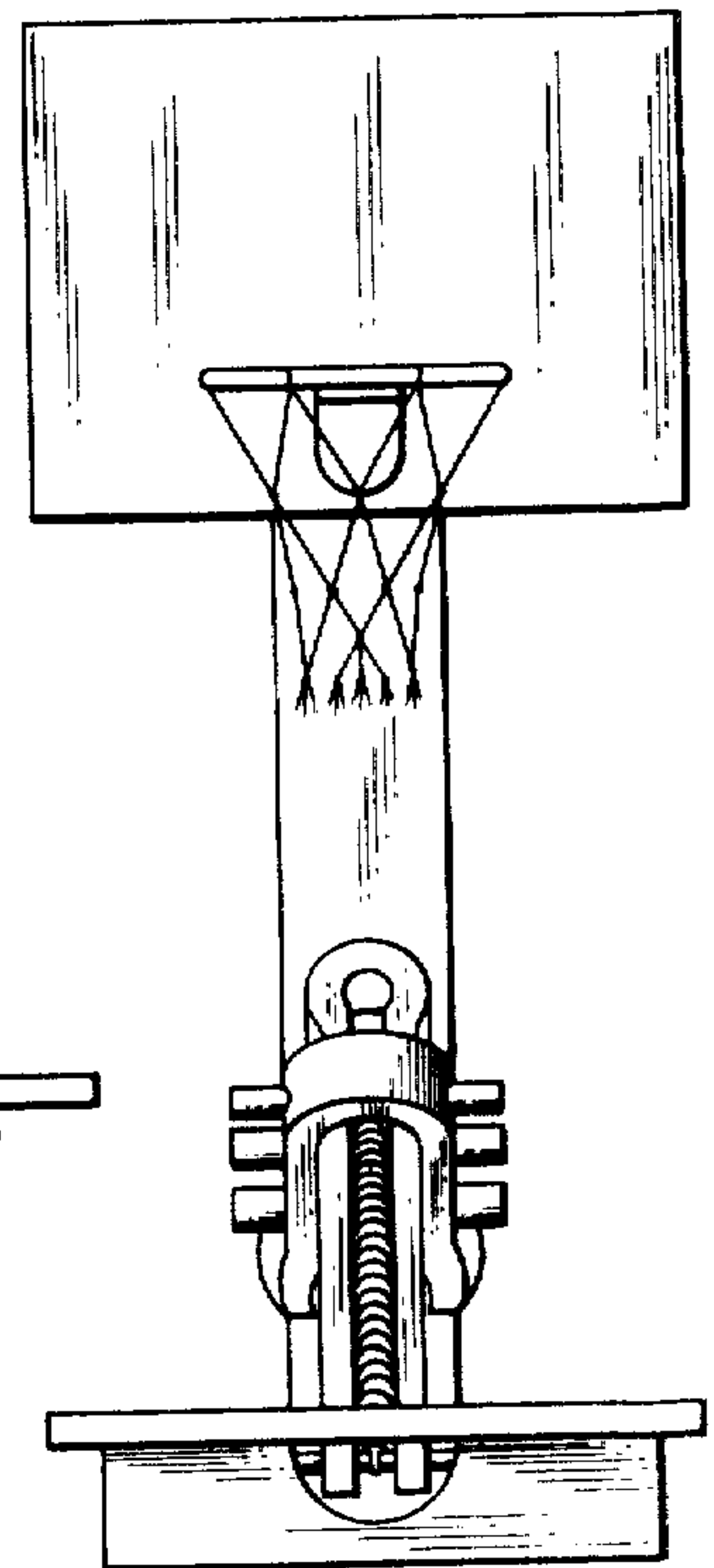




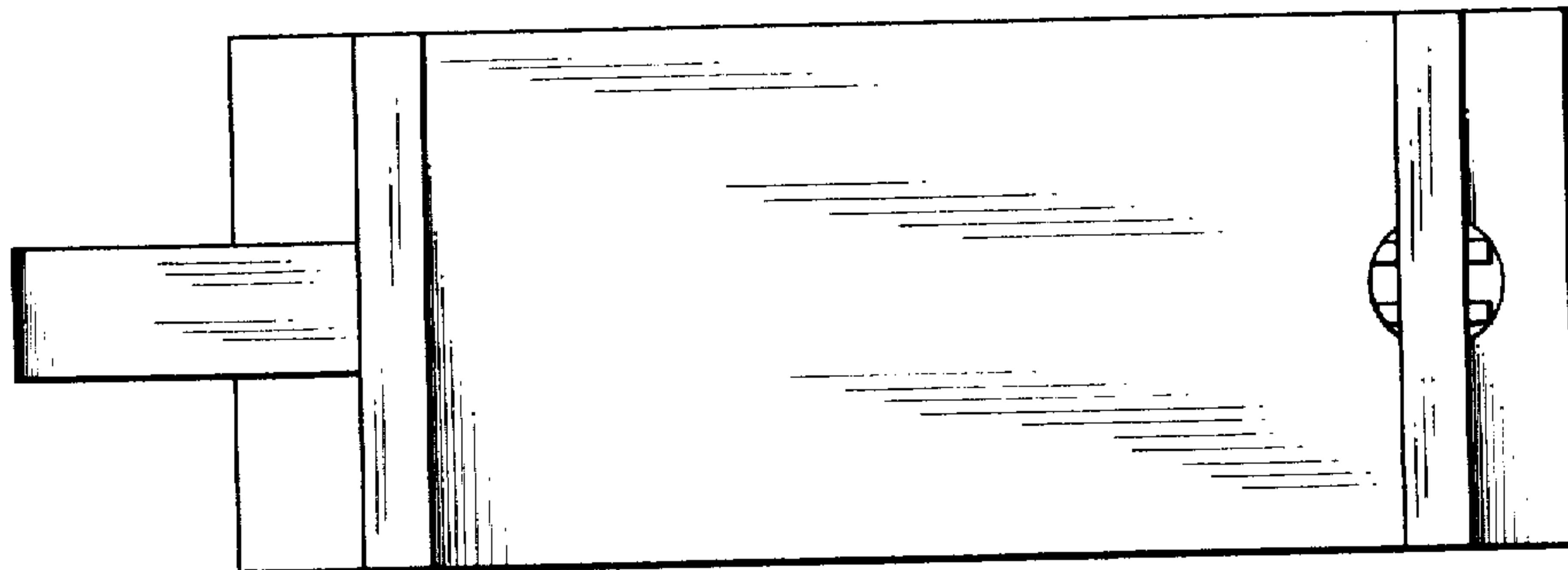
*FIG. 1*



*FIG. 2*



*FIG. 4*



*FIG. 3*