

[54] **POST SUPPORTED SIGN BOARD**

[76] **Inventor:** Alfred P. Samuels, Jr., 2211 Forister Ct. E., Norman, Okla. 73069

[**] **Term:** 14 Years

[21] **Appl. No.:** 211,861

[22] **Filed:** Dec. 1, 1980

[51] **Int. Cl.** D20-03
[52] **U.S. Cl.** D20/41
[58] **Field of Search** D20/10-44;
D6/232, 233, 235, 240, 241, 242, 244; 46/584,
605, 606, 607; D11/131, 132

[56]

References Cited

U.S. PATENT DOCUMENTS

D. 80,028 12/1929 Fultz D20/41
D. 153,604 5/1949 Hammer D20/42
D. 216,805 3/1970 D'Amato D20/33 X

Primary Examiner—Catherine E. Kemper
Attorney, Agent, or Firm—Dowell & Dowell

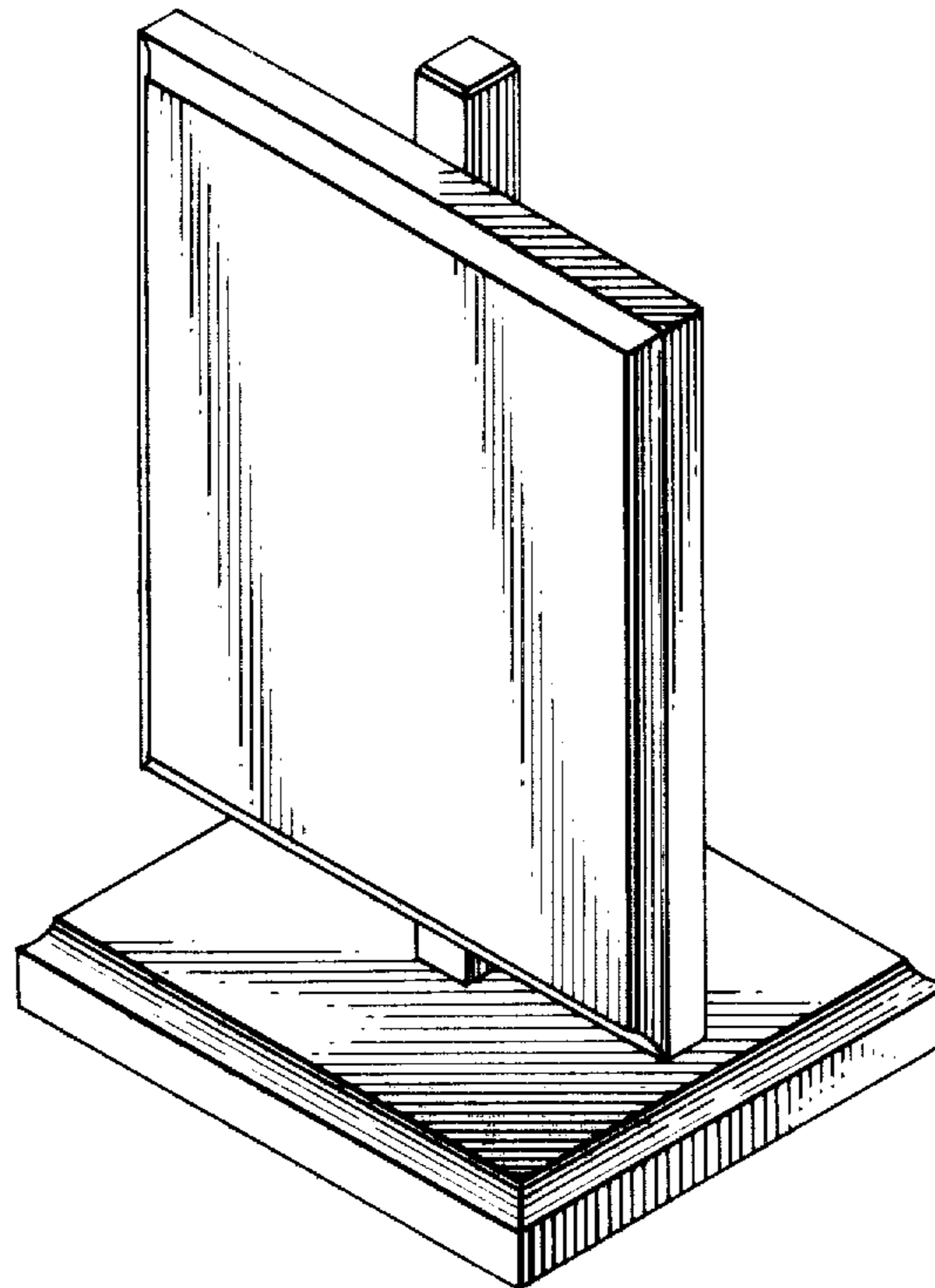
[57]

CLAIM

The ornamental design for a post supported sign board, as shown.

DESCRIPTION

FIG. 1 is a perspective view of the post supported sign board according to my design;
FIG. 2 is a front elevation view thereof;
FIG. 3 is a rear elevation view thereof;
FIG. 4 is a side elevation view thereof;
FIG. 5 is a plan view thereof; and
FIG. 6 is a bottom view thereof.



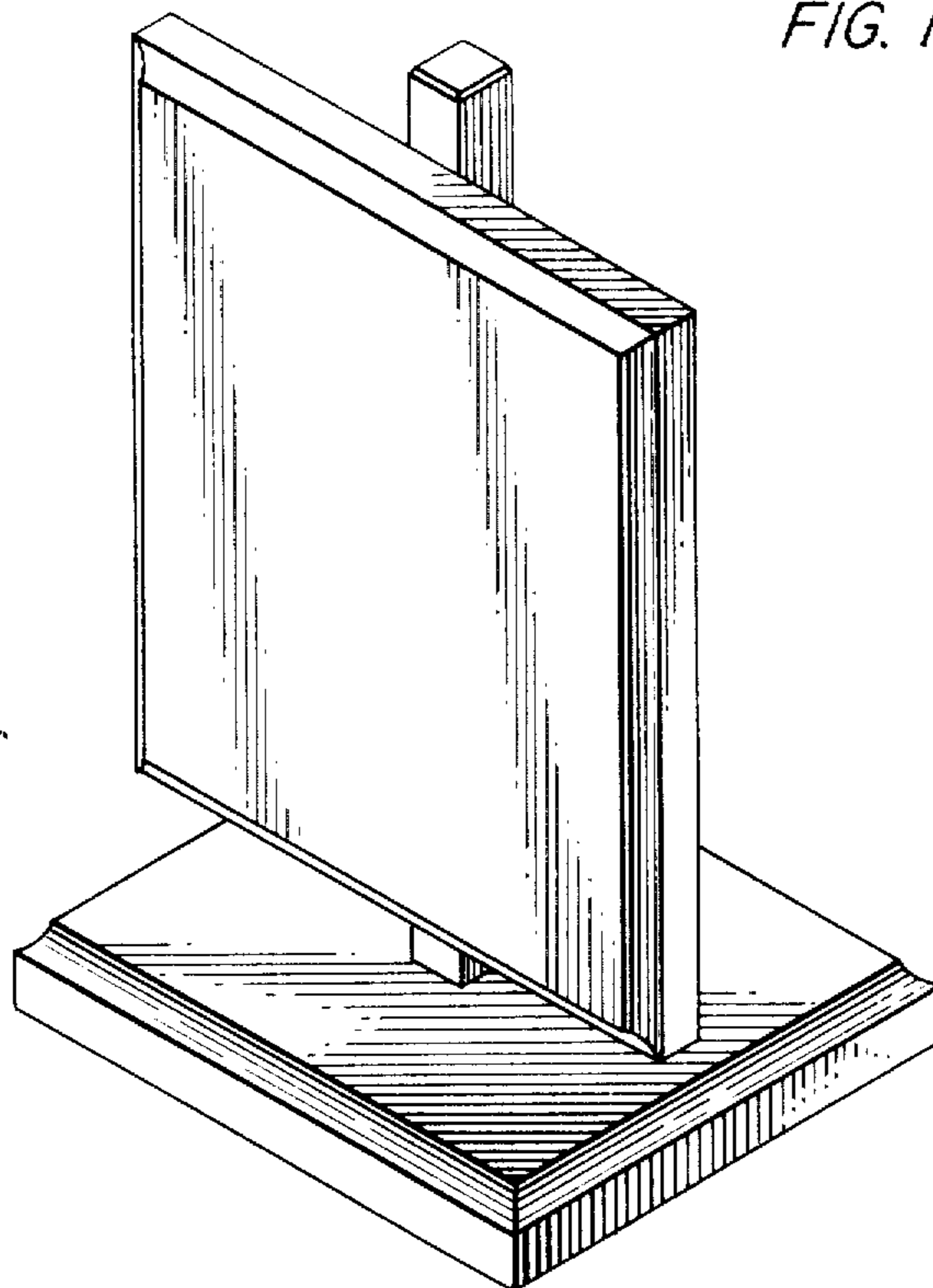


FIG. 1.

FIG. 2.

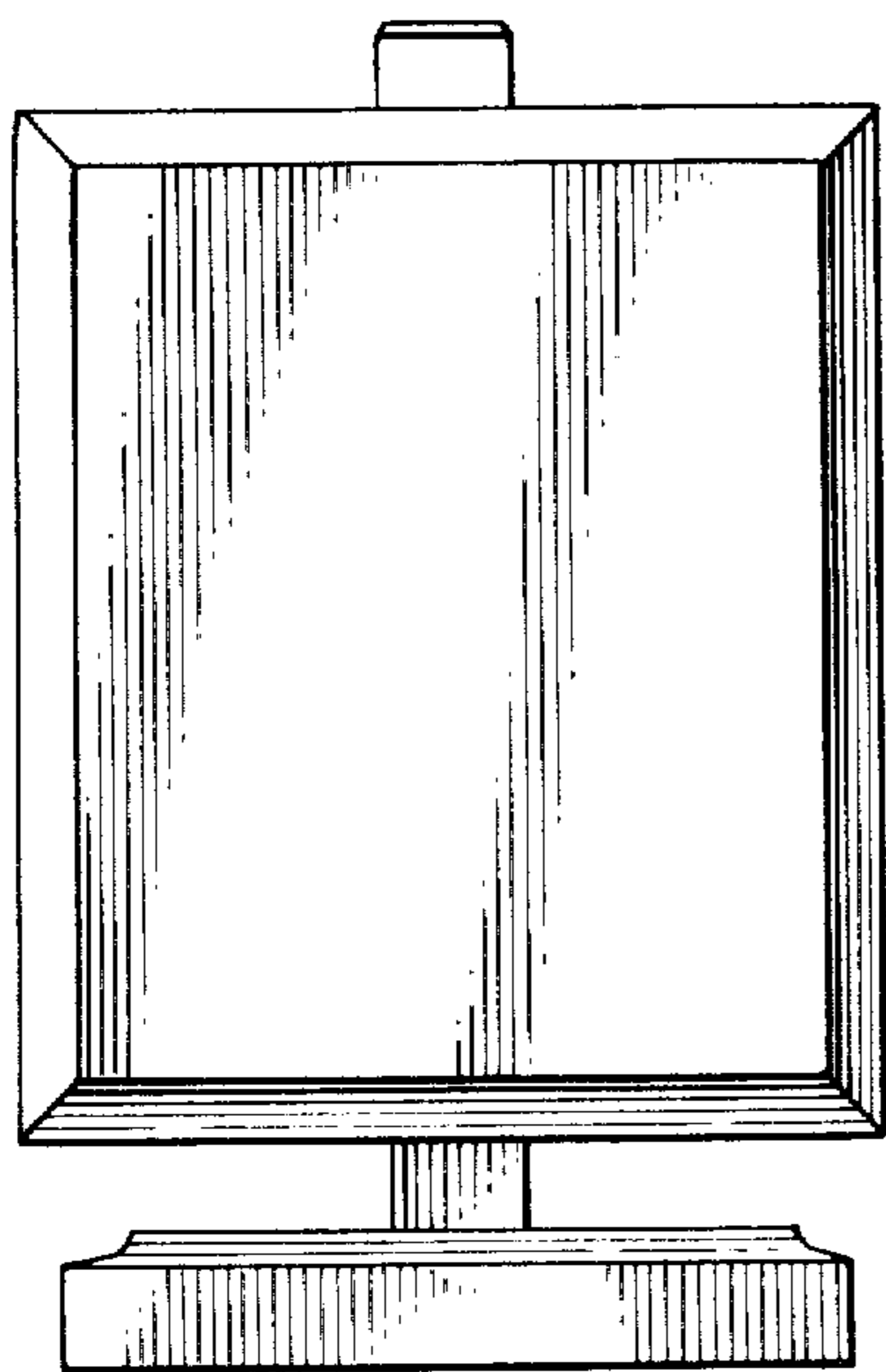


FIG. 3.

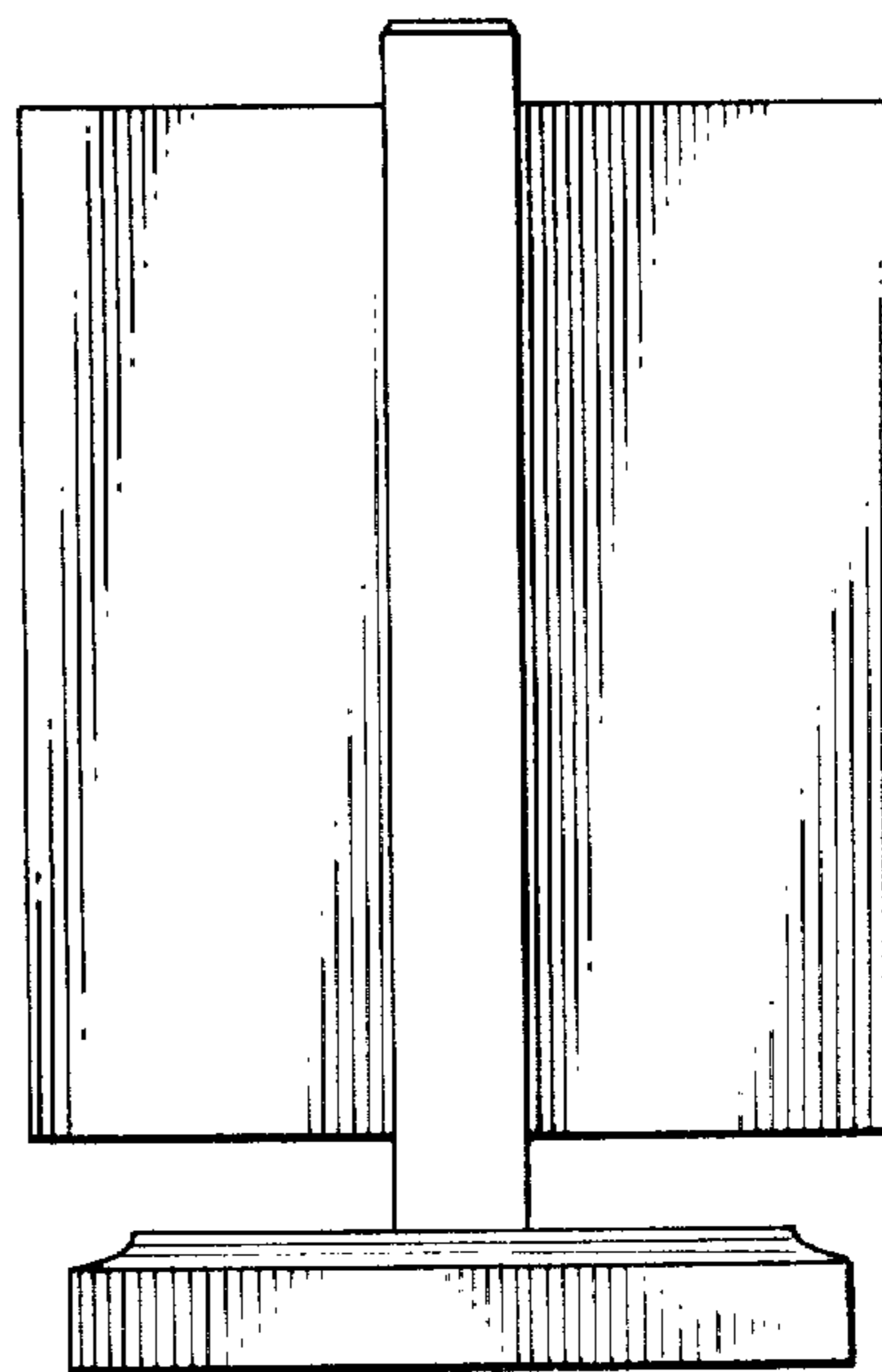


FIG. 4.

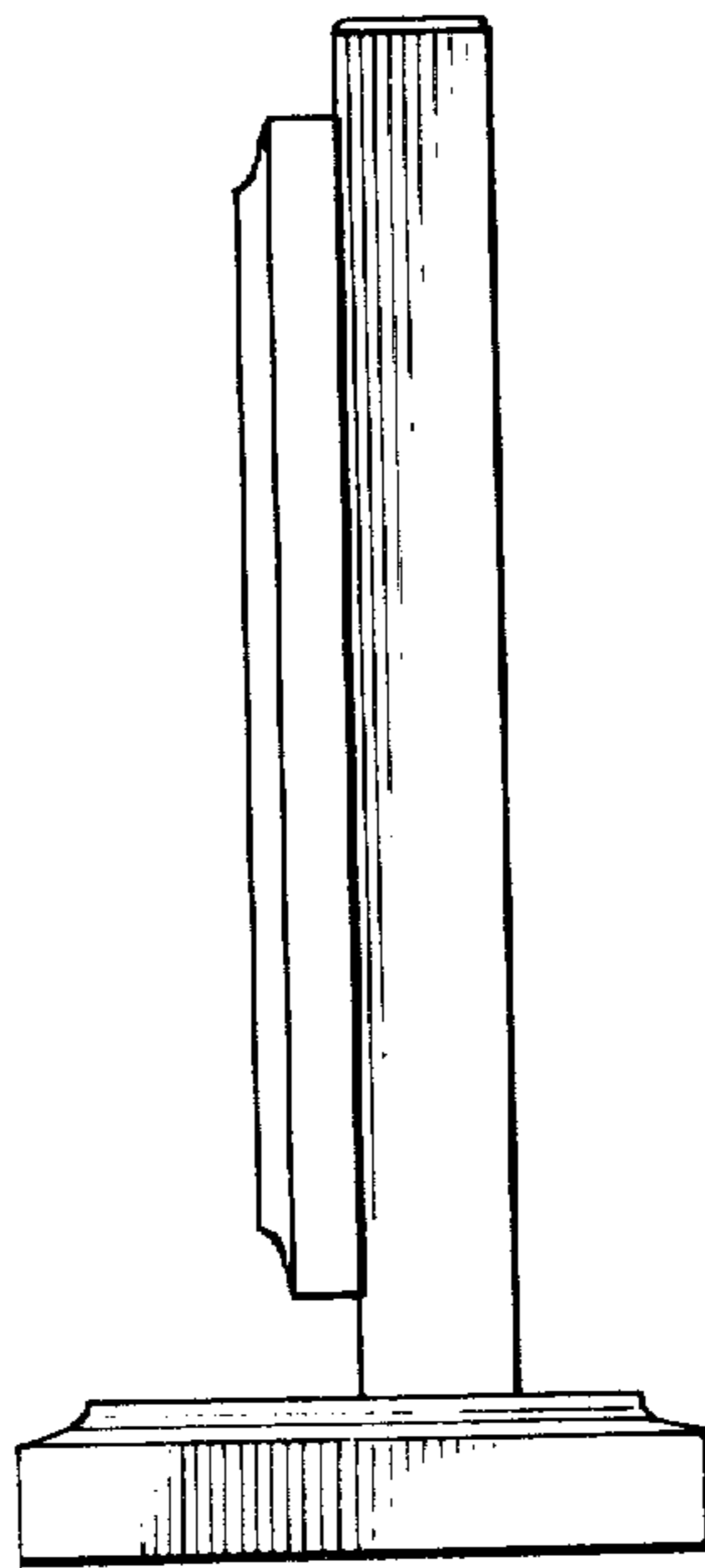


FIG. 5.

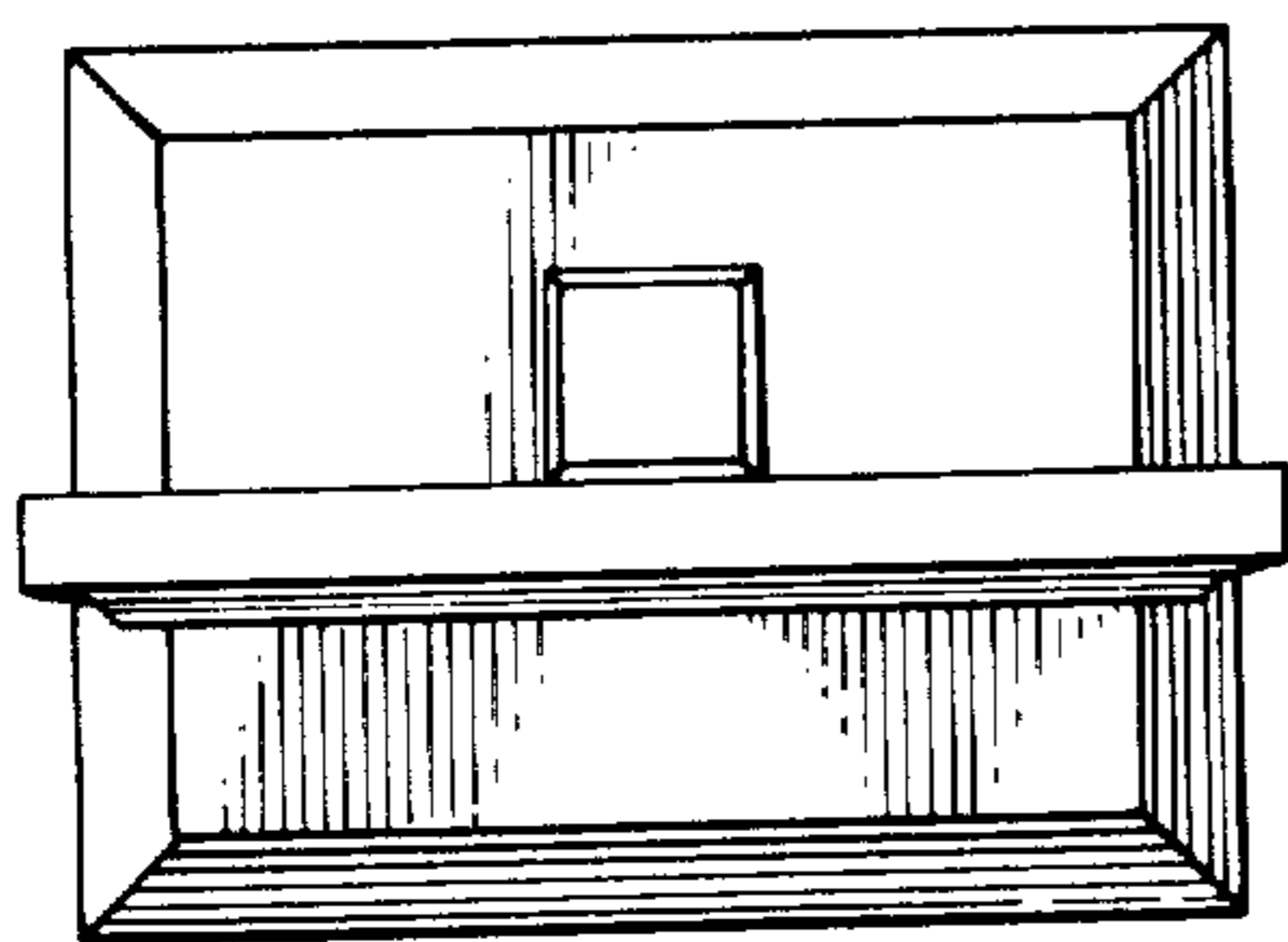


FIG. 6.

