

[54] **MUSIC BOX**
 [76] Inventor: **Chong T. Ahn**, 923 Fulton Ave., San Leandro, Calif. 94577
 [**] Term: **14 Years**
 [21] Appl. No.: **292,707**
 [22] Filed: **Aug. 13, 1981**
 [51] Int. Cl. **D17-05**
 [52] U.S. Cl. **D17/24; D21/114; D21/134**
 [58] Field of Search **D17/24; D21/114, 115, D21/112, 129, 143, 134; 84/94 R**

3,763,734 10/1973 Meyer et al. 84/83

OTHER PUBLICATIONS

Encyclopedia Americana, ©-78, Americana Corp., vol. 24, p. 197, Golden Gate Bridge Photo.
Encyclopedia Americana, ©-78, vol. 24, p. 201, bottom right corner photo.

Primary Examiner—Jane E. Corrigan
Attorney, Agent, or Firm—Owen, Wickersham & Erickson

CLAIM

[57] The ornamental design for a music box, substantially as shown and described.

DESCRIPTION

FIG. 1 is a front, top and right side perspective view of a music box showing my new design;
 FIG. 2 is a front, top and left side perspective view;
 FIG. 3 is a rear elevational view;
 FIG. 4 is a view like FIG. 1 of another embodiment of a music box showing my new design, which includes a partial simulation of the golden gate bridge;
 FIG. 5 is a view like FIG. 2 thereof; and
 FIG. 6 is a view like FIG. 3 thereof.

[56] **References Cited**
U.S. PATENT DOCUMENTS

D. 66,432	1/1925	Strauss	D21/143
D. 108,713	3/1938	Bueschel	D21/117
D. 168,742	2/1953	Handler	D21/129
D. 176,711	1/1956	Bultman	D21/129
D. 240,544	7/1976	Howard	D11/163
D. 258,135	2/1981	Ahn	D17/24
1,217,865	2/1917	Harris	
2,725,668	12/1955	Bonanno	46/40
3,591,977	7/1971	Disko	46/175

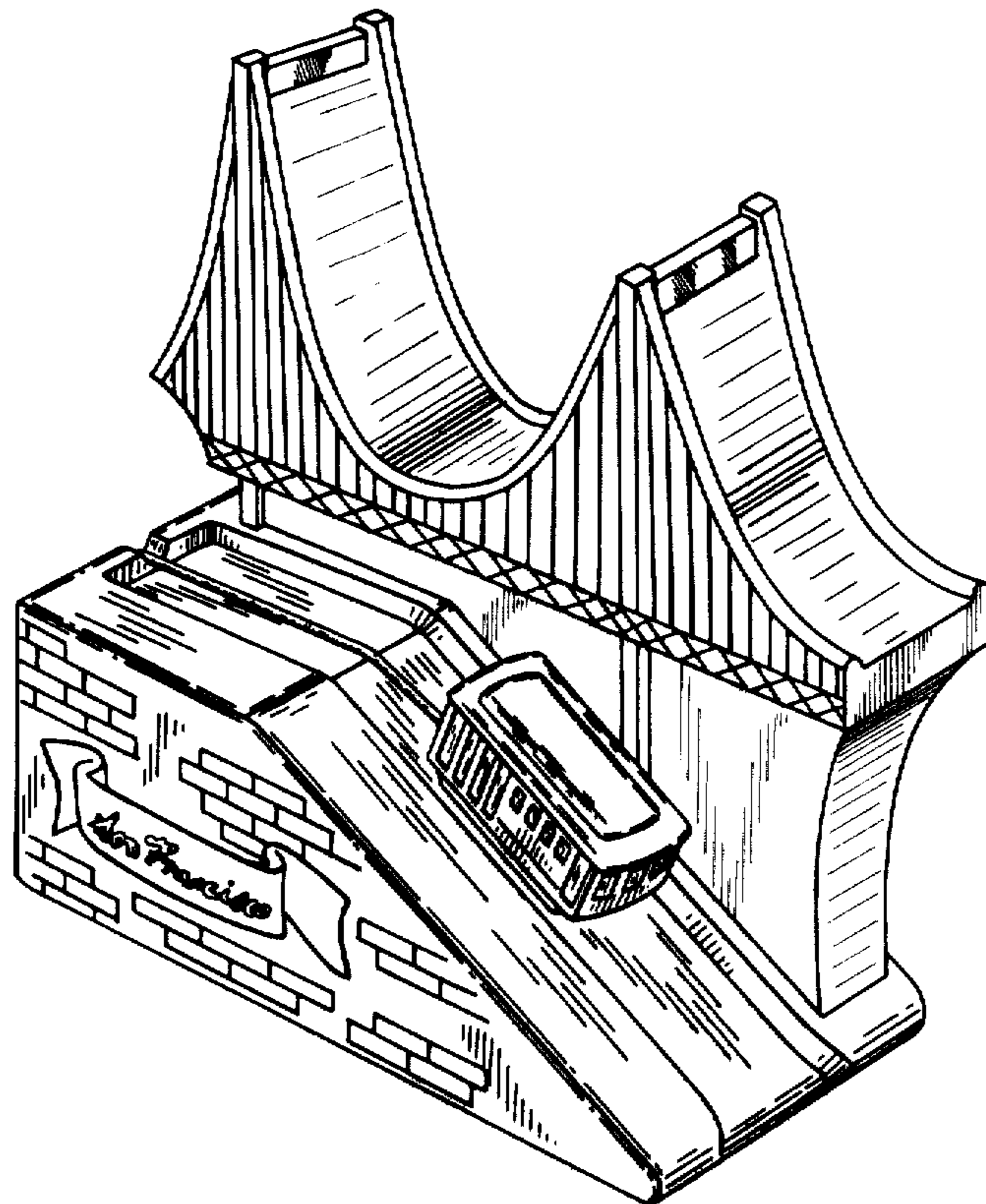


FIG. 1

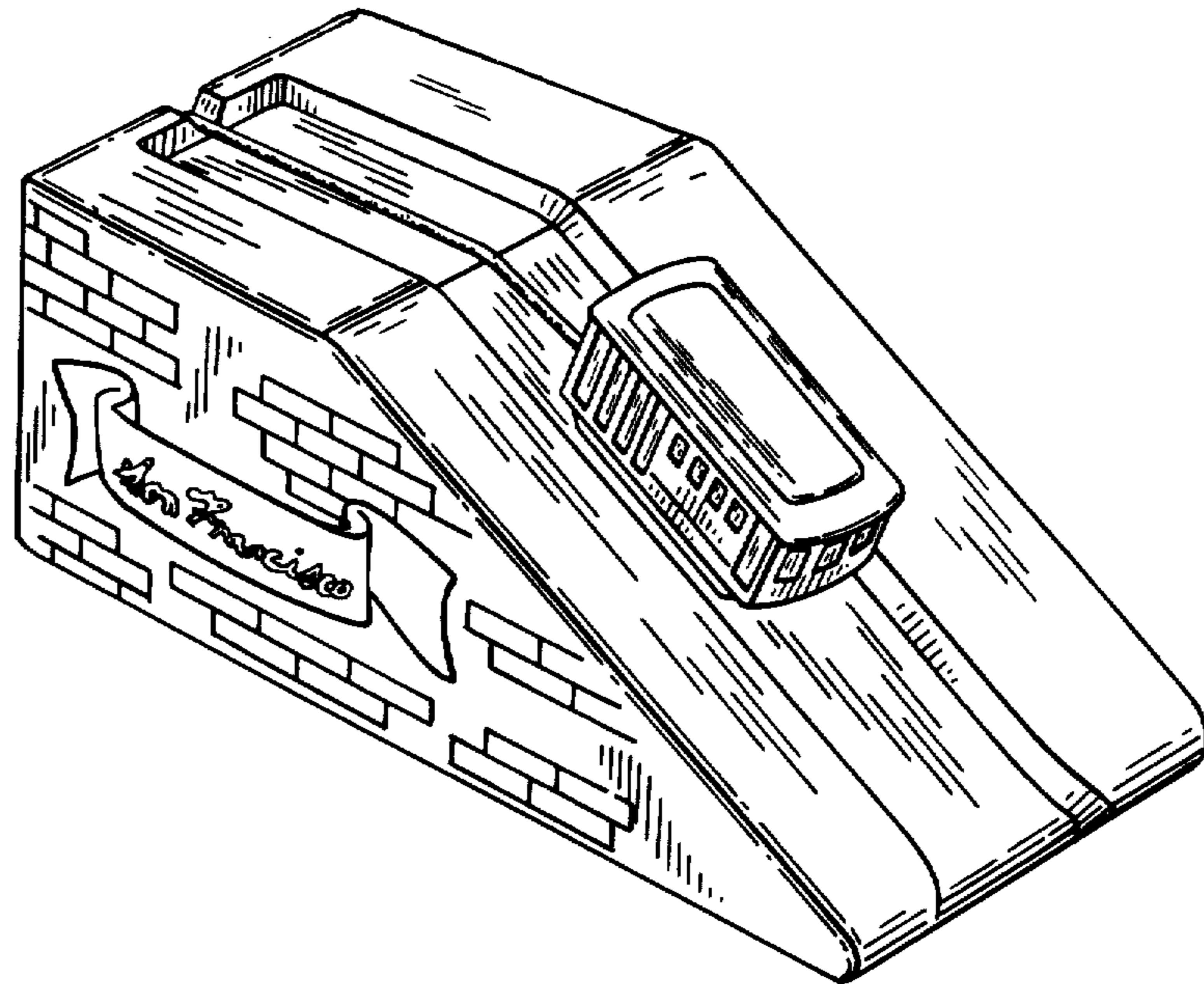


FIG. 2

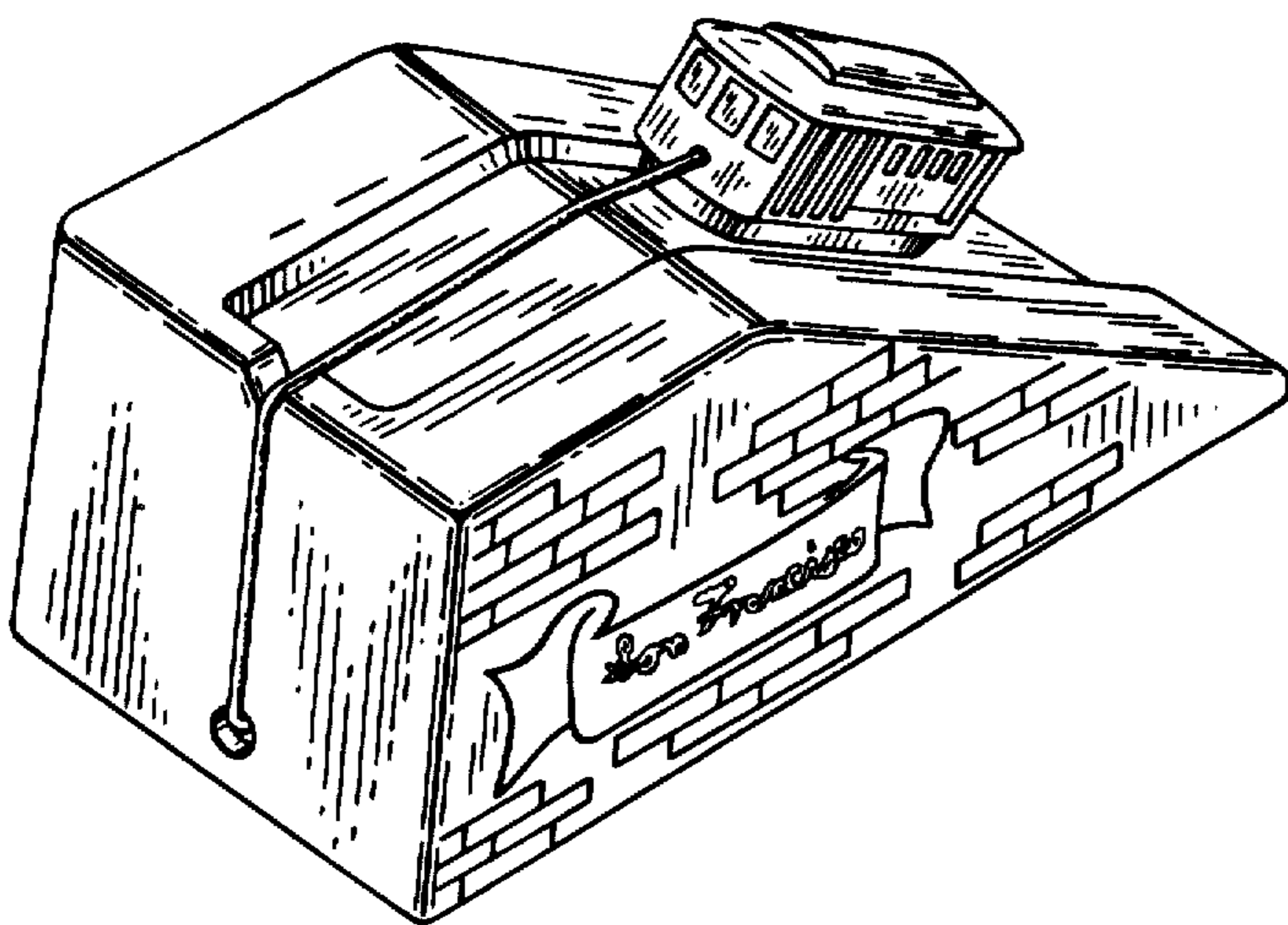


FIG. 3

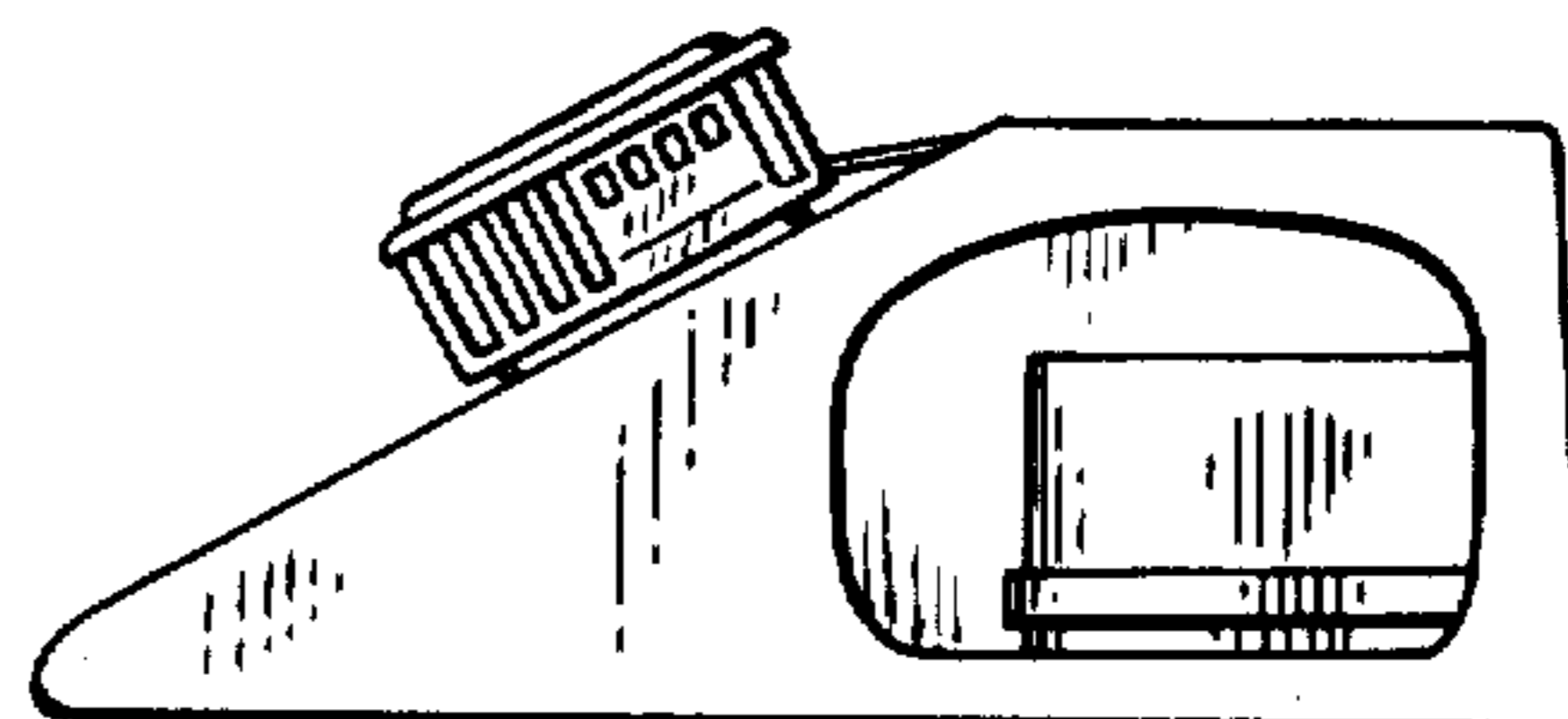


FIG. 4

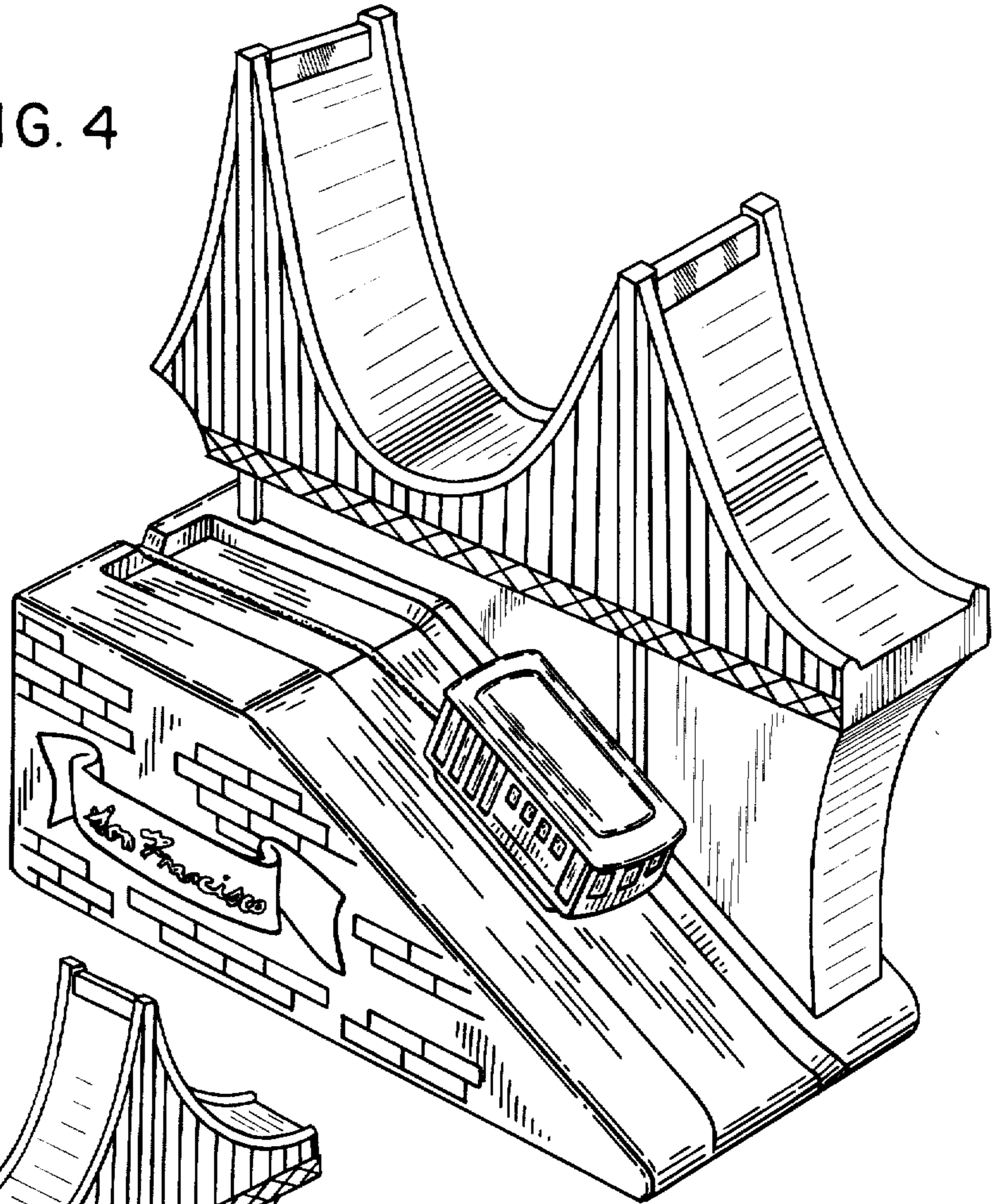


FIG. 5

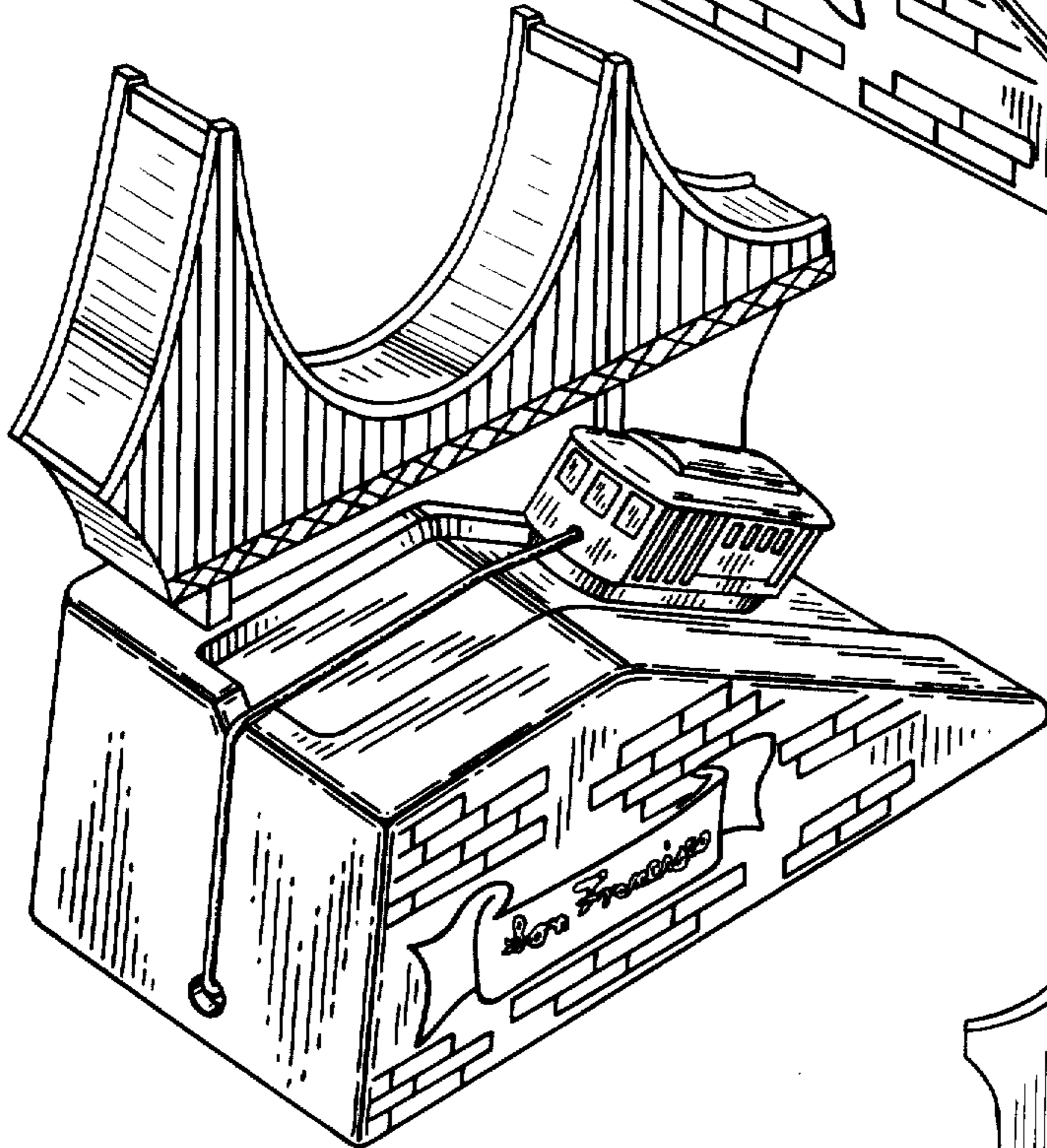


FIG. 6

