

[54] SEWING MACHINE

[75] Inventor: Wayne A. Current, Holmdel, N.J.

[73] Assignee: The Singer Company, Stamford, Conn.

[\*\*] Term: 14 Years

[21] Appl. No.: 176,828

[22] Filed: Aug. 11, 1980

[51] Int. Cl. .... D15-06

[52] U.S. Cl. .... D15/68

[58] Field of Search ..... D15/66-76, D15/78; 112/258, 259, 260

[56] References Cited

U.S. PATENT DOCUMENTS

- D. 178,190 7/1956 Hosoe ..... D15/68
- D. 180,615 7/1957 Park ..... D15/68
- D. 217,989 7/1970 Szostak et al. .... D15/76
- D. 228,687 10/1973 Schilling ..... D15/69

Primary Examiner—Robert C. Spangler  
Attorney, Agent, or Firm—Edward P. Schmidt; Robert E. Smith; Edward L. Bell

[57] CLAIM

The ornamental design for a sewing machine, substantially as shown and described.

DESCRIPTION

FIG. 1 is a front perspective view of a sewing machine showing my new design;  
 FIG. 2 is a front elevational view thereof;  
 FIG. 3 is a top plan view thereof;  
 FIG. 4 is an elevational view looking from the left of FIG. 2;  
 FIG. 5 is an elevational view looking from the right of FIG. 2;  
 FIG. 6 is a rear elevational view;  
 FIG. 7 is a bottom plan view thereof;  
 FIG. 8 is a front perspective view showing a modified form of my new design;  
 FIG. 9 is a front elevational view thereof;  
 FIG. 10 is a top plan view thereof;  
 FIG. 11 is a front perspective view showing another modified form of my new design;  
 FIG. 12 is a front elevational view thereof; and,  
 FIG. 13 is a top plan view thereof.

The sides, rear and bottom of the modified forms of FIGS. 8 and 11 have the same appearance as the respective sides, rear and bottom seen in FIGS. 4, 5, 6 and 7.

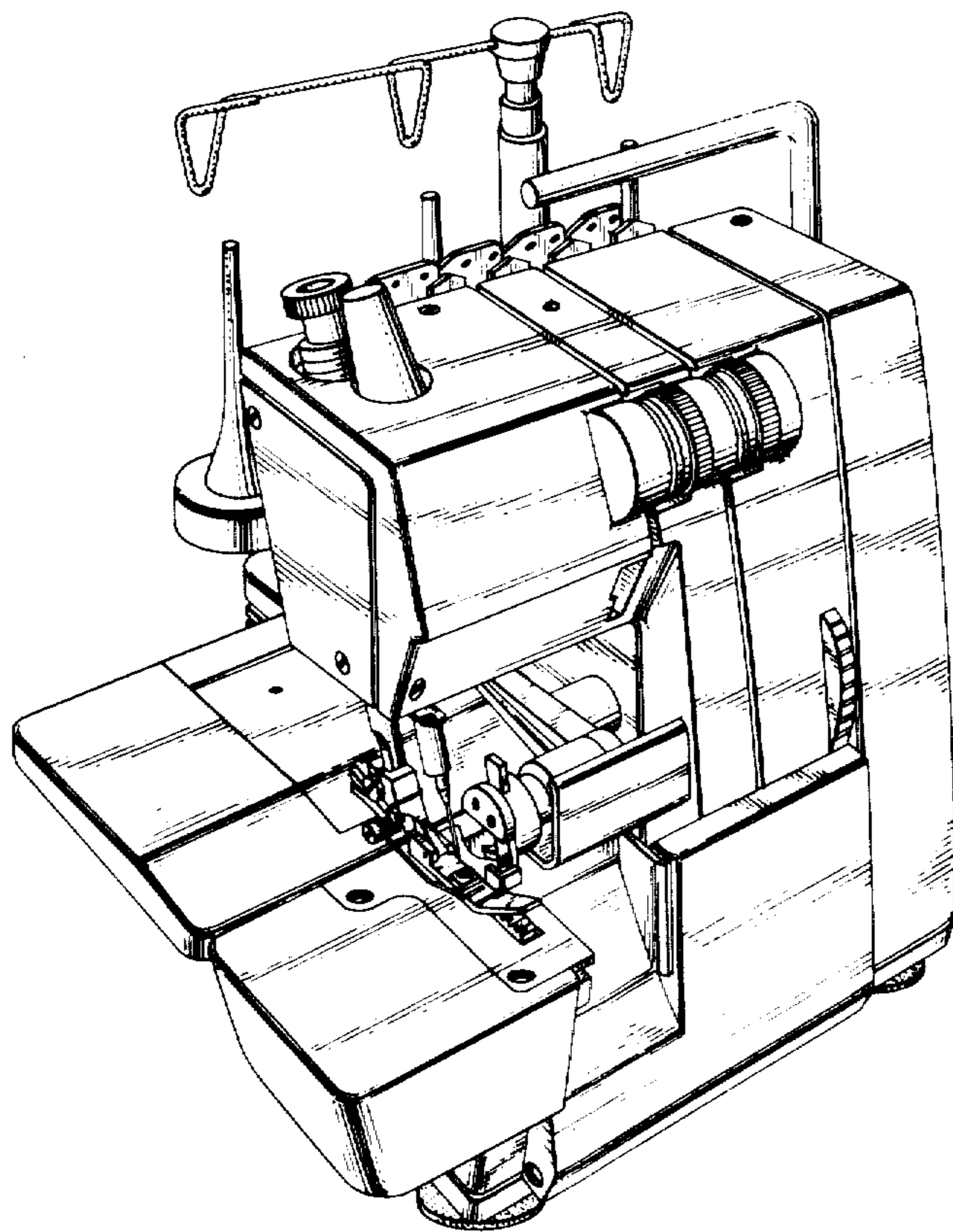


Fig.1

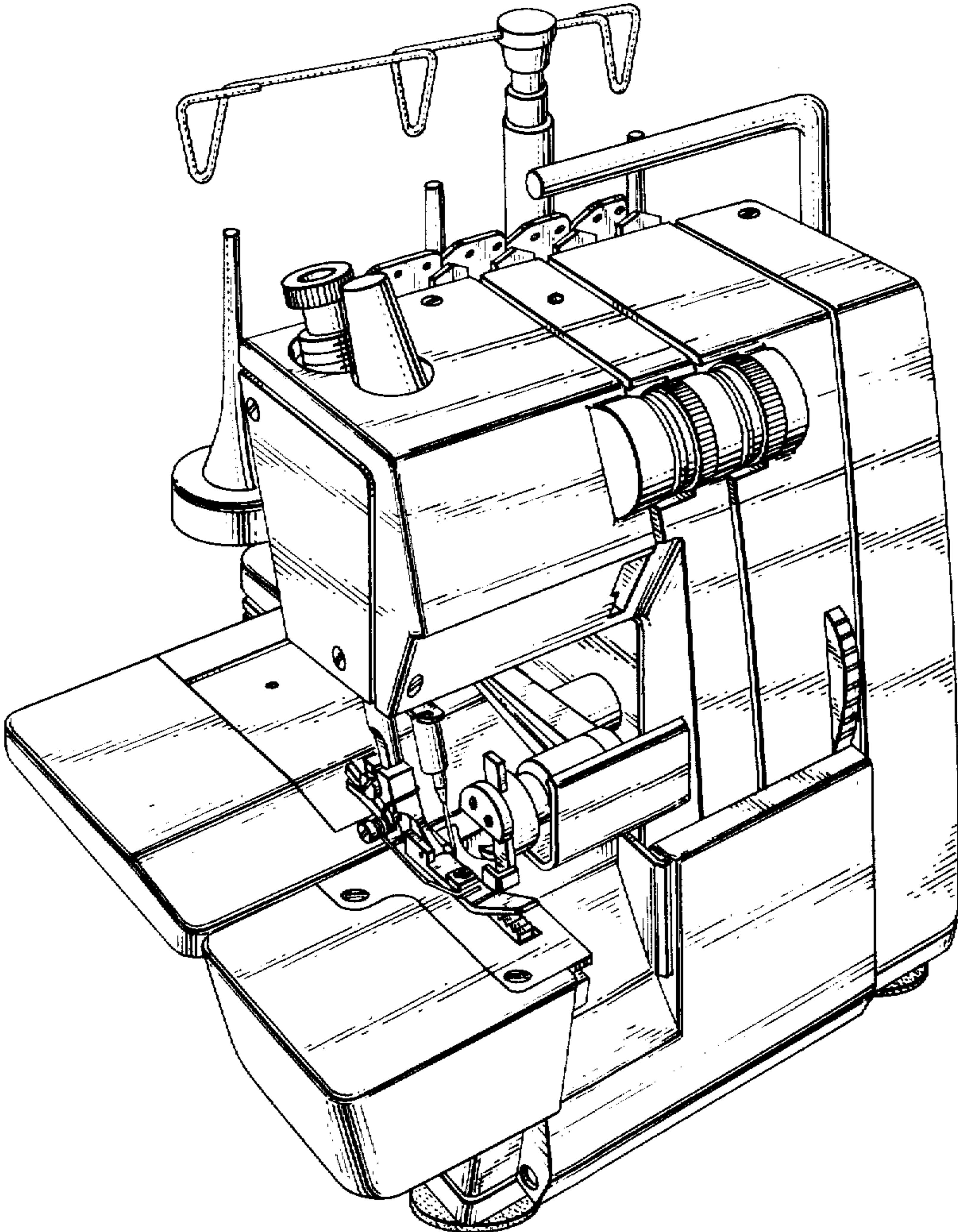
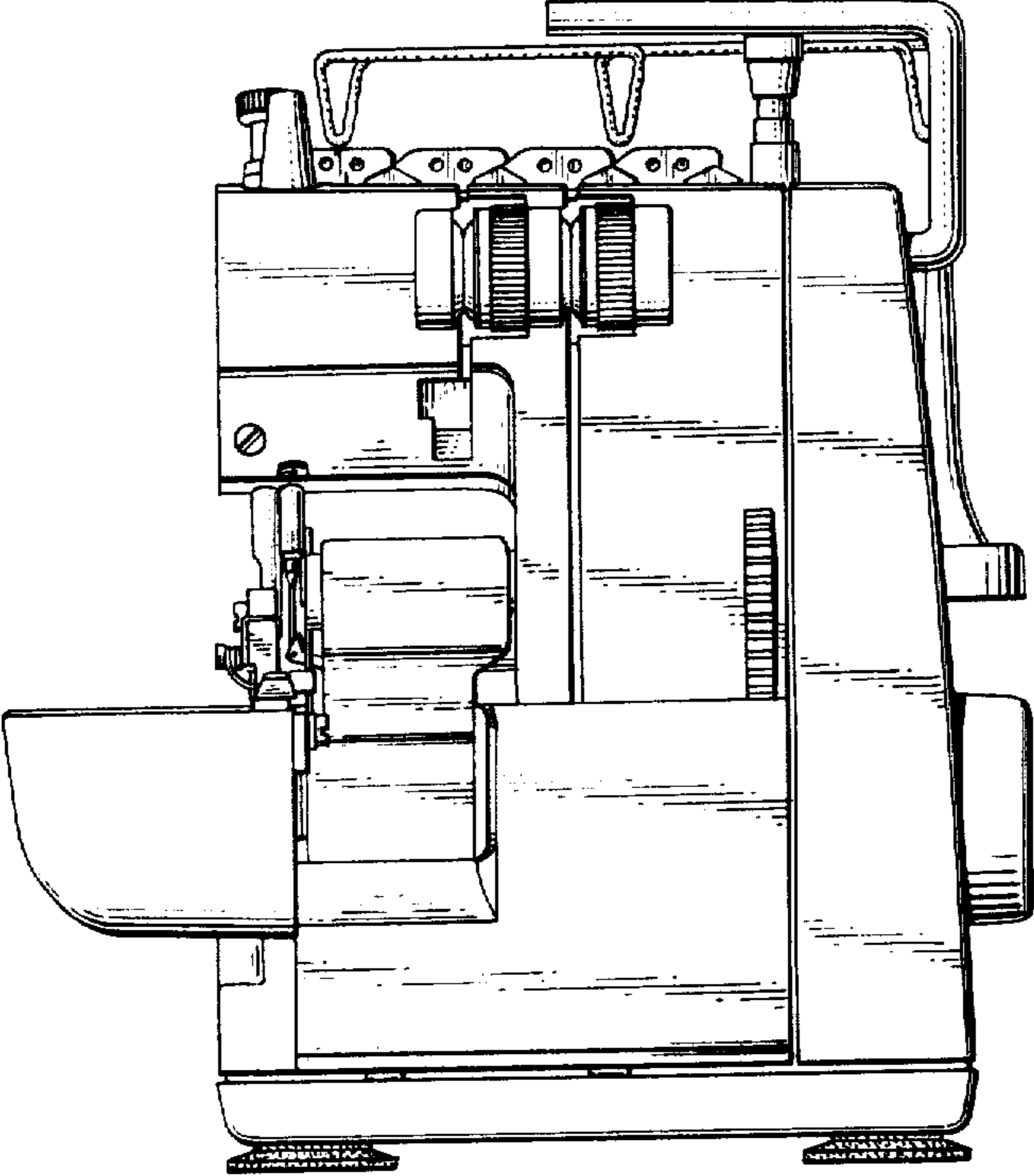


Fig.2



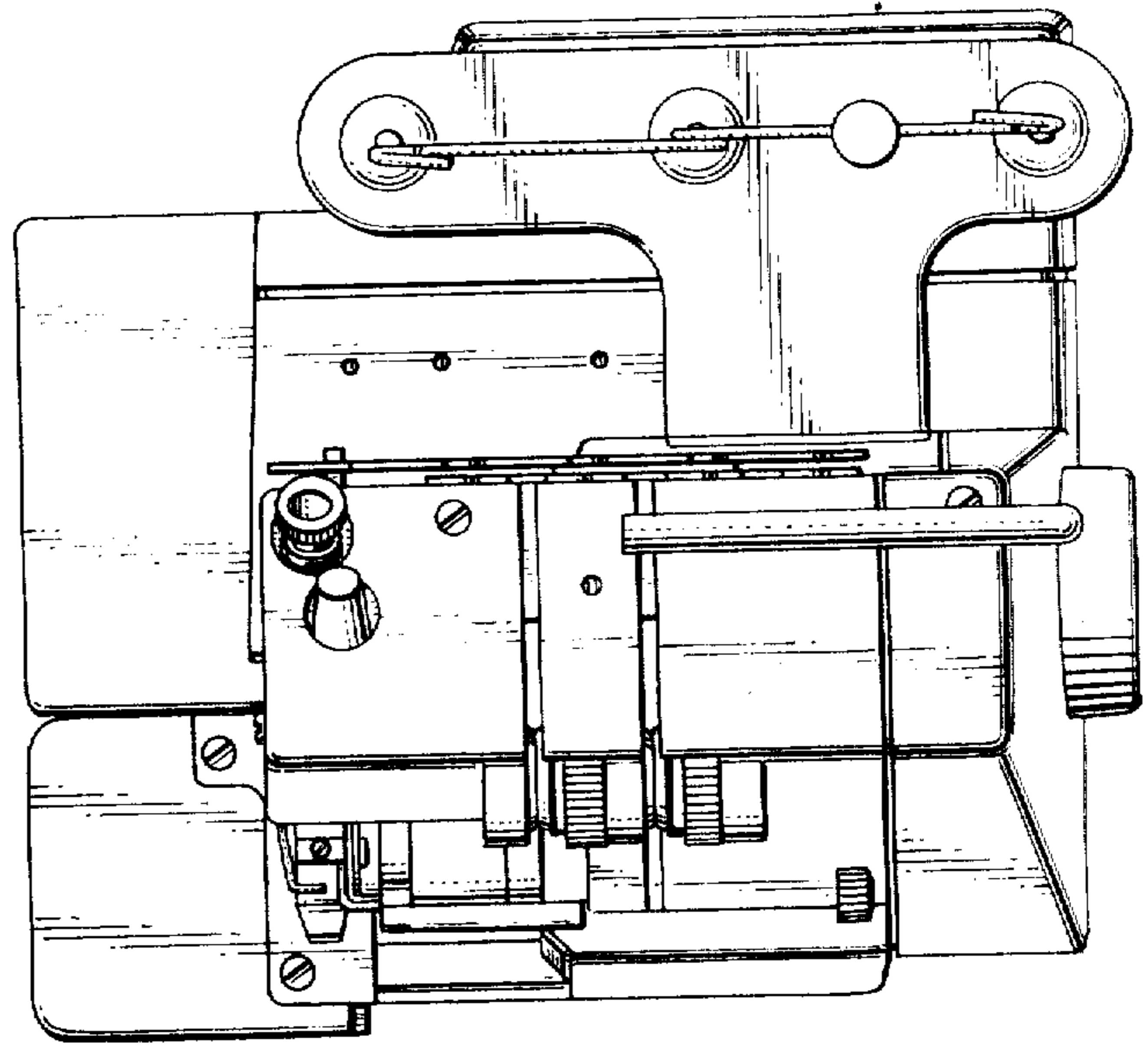


Fig. 3

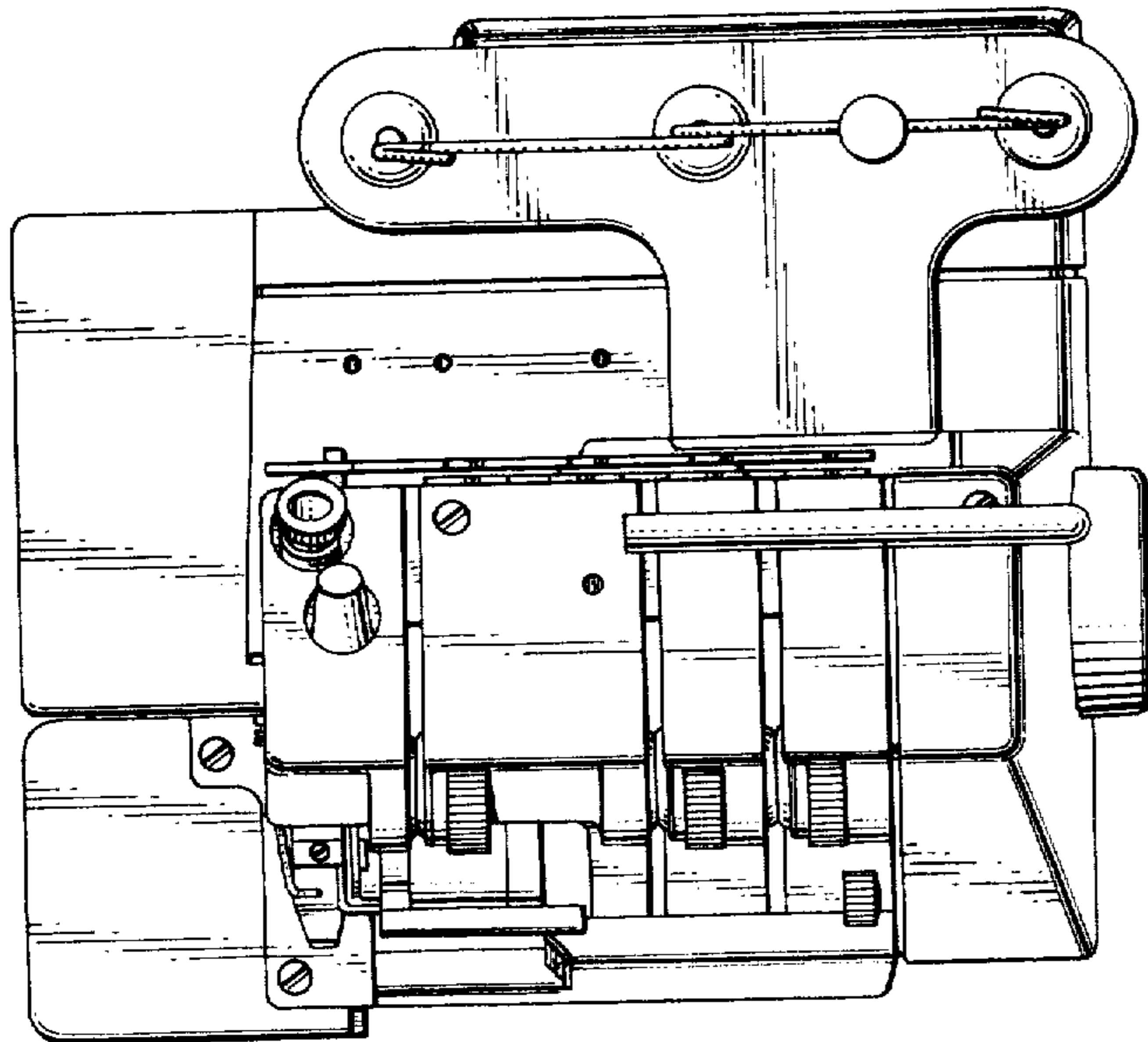


Fig. 10



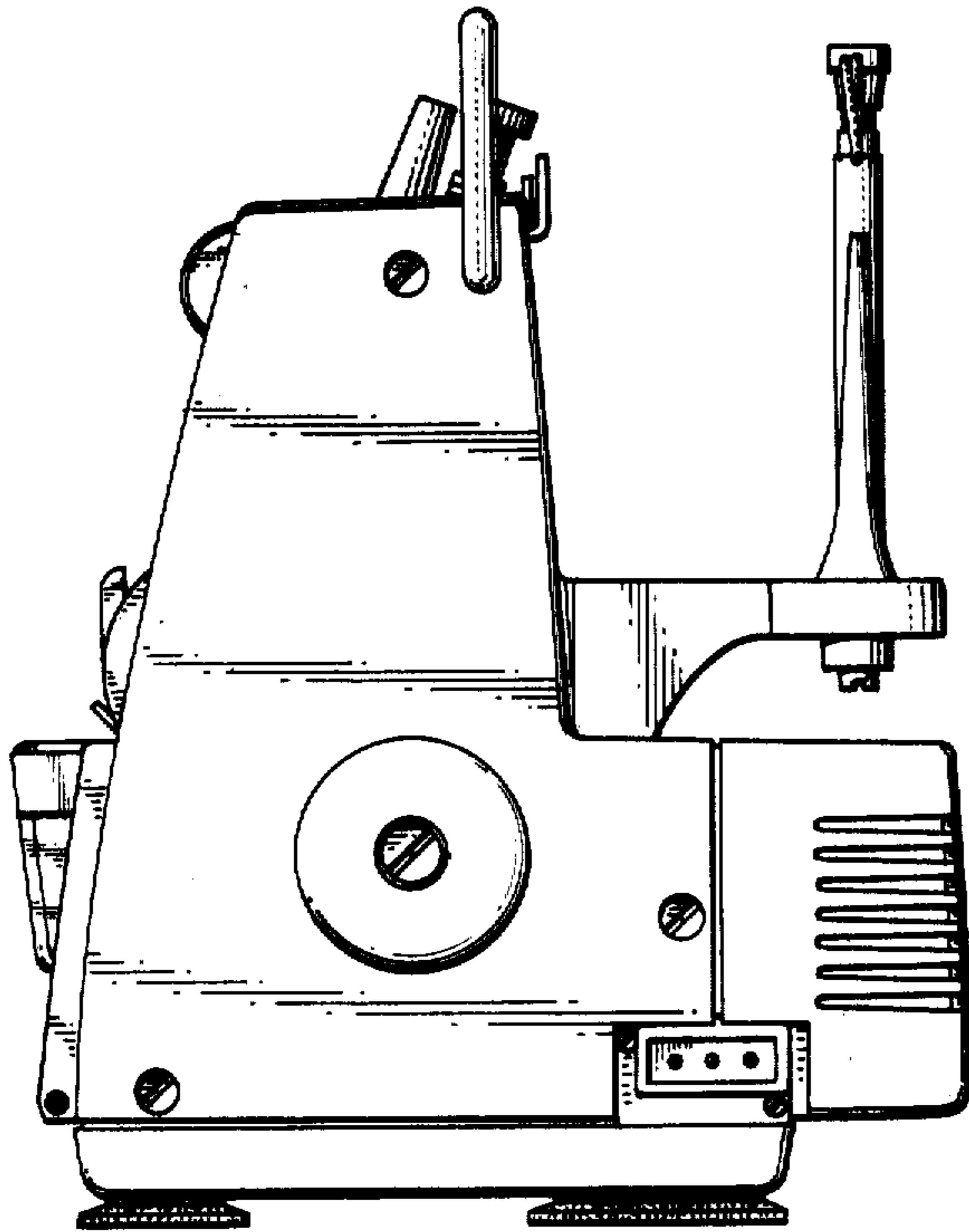


Fig. 5

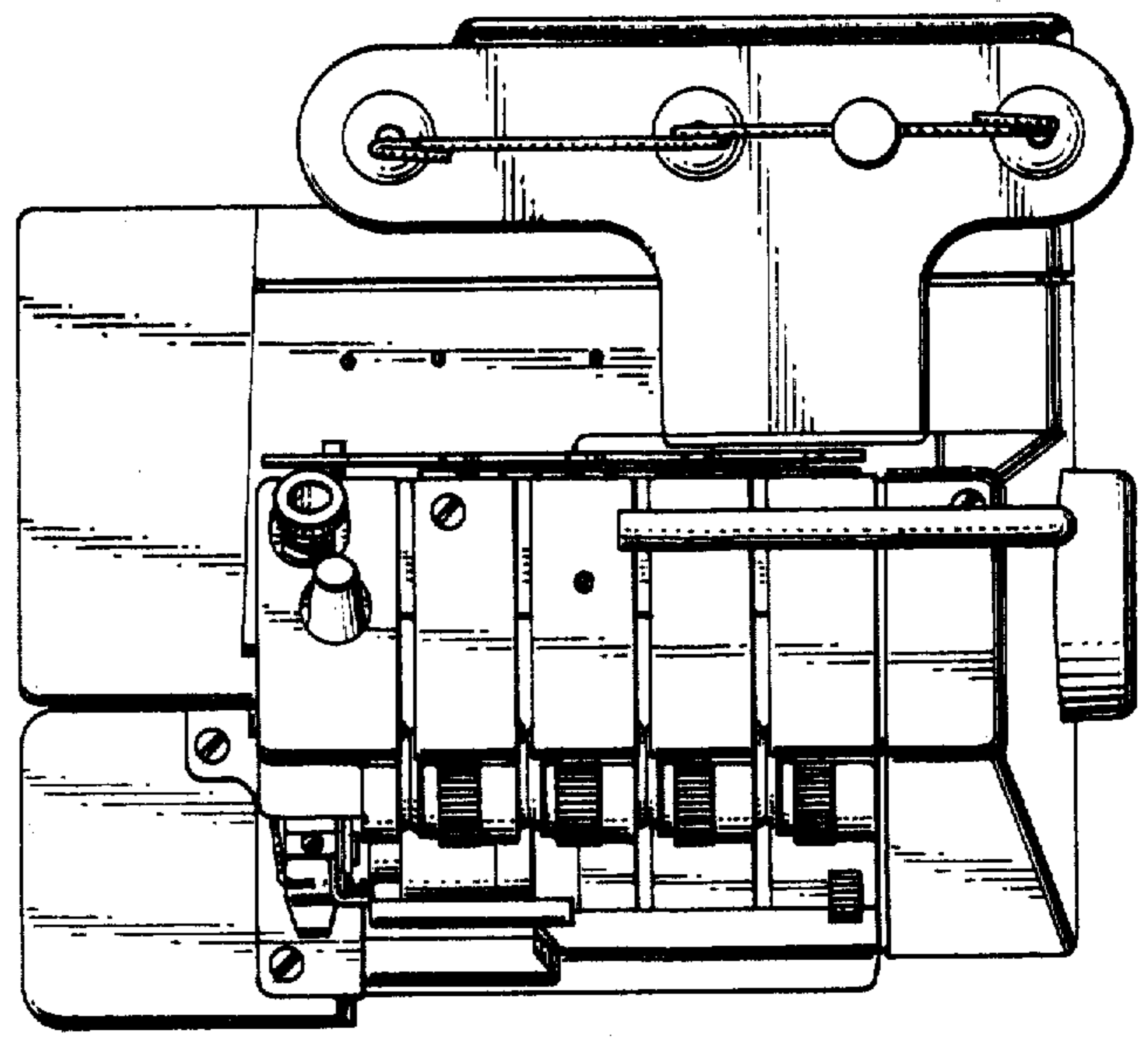


Fig. 13

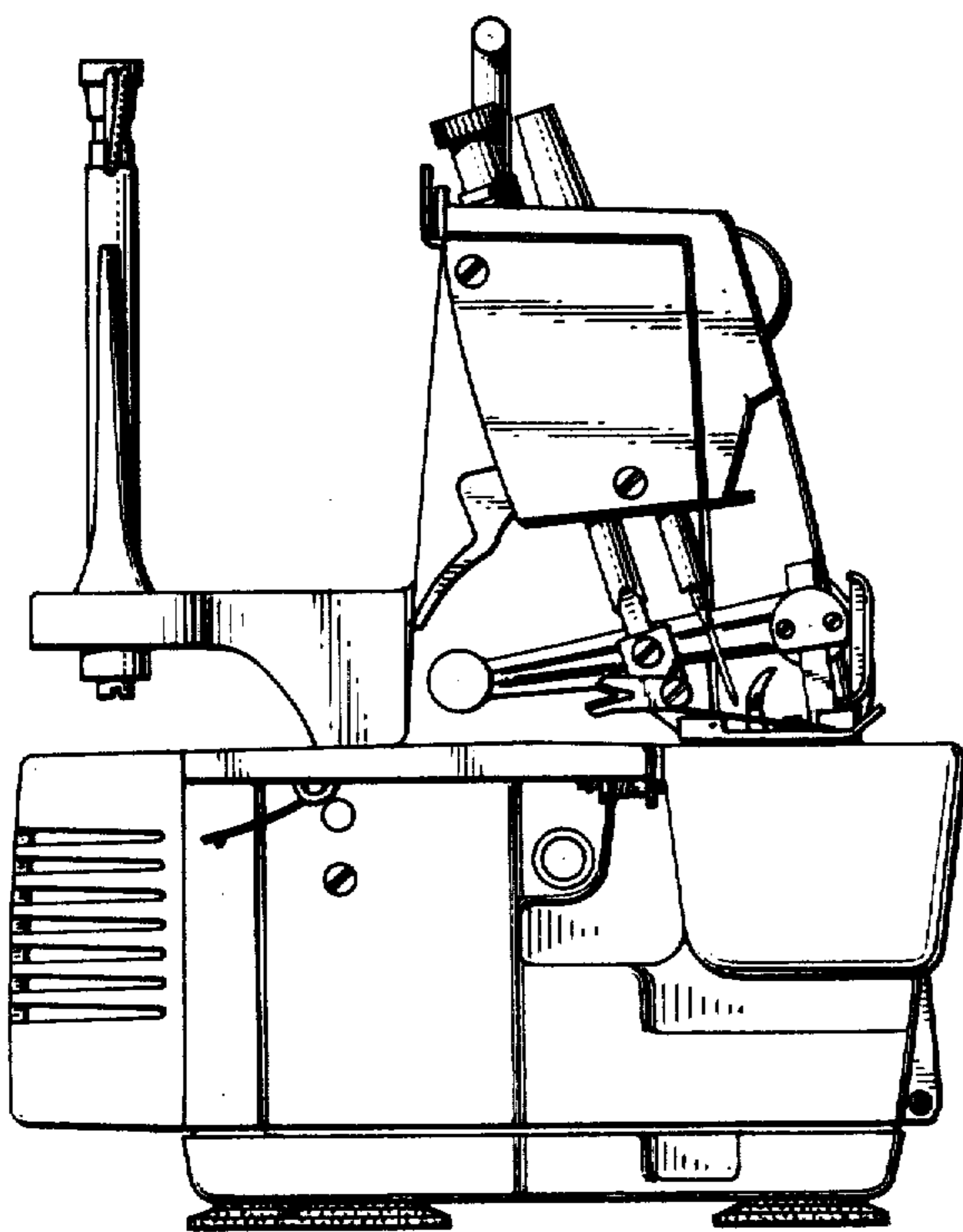


Fig. 4

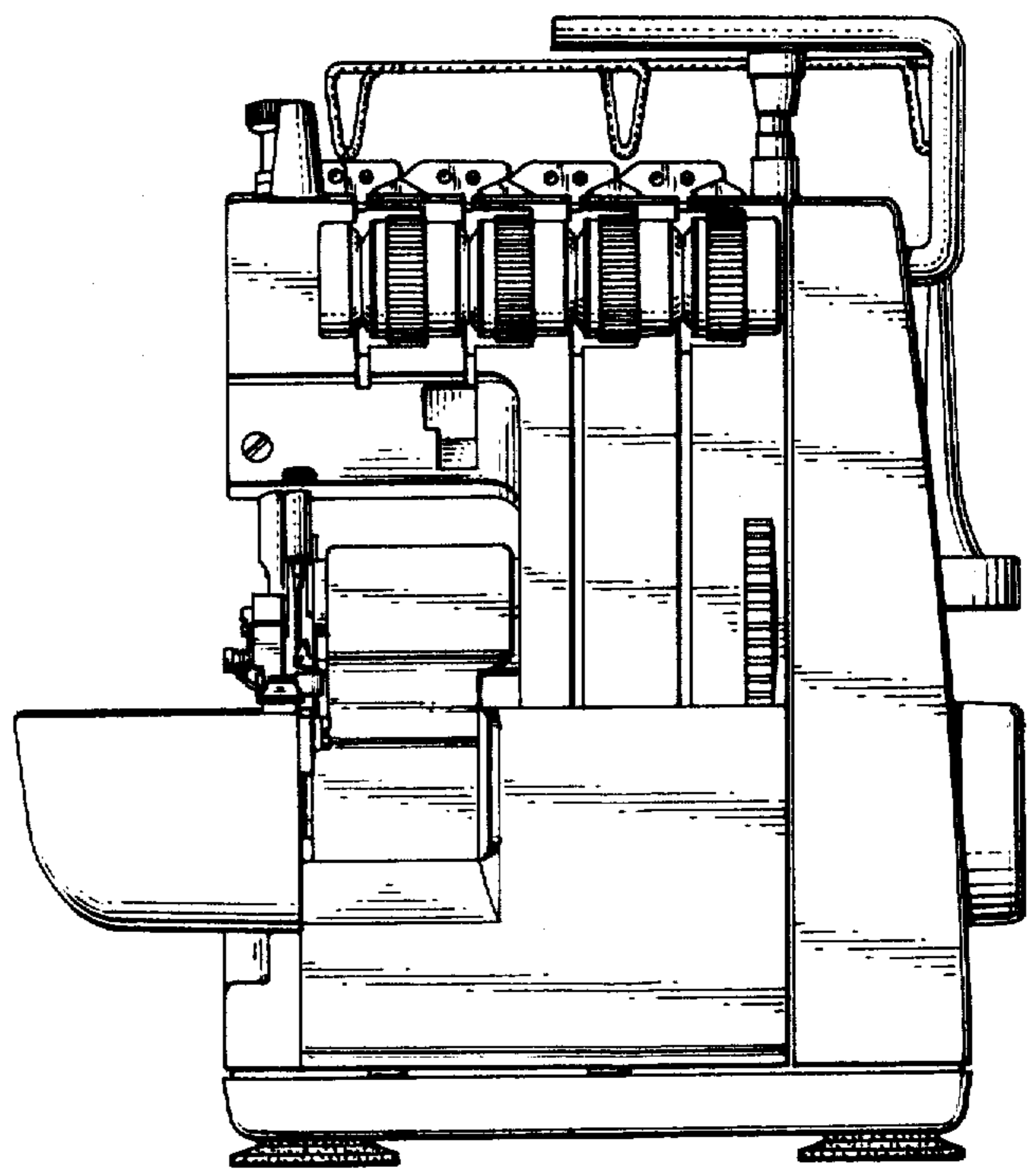


Fig. 12

Fig. II

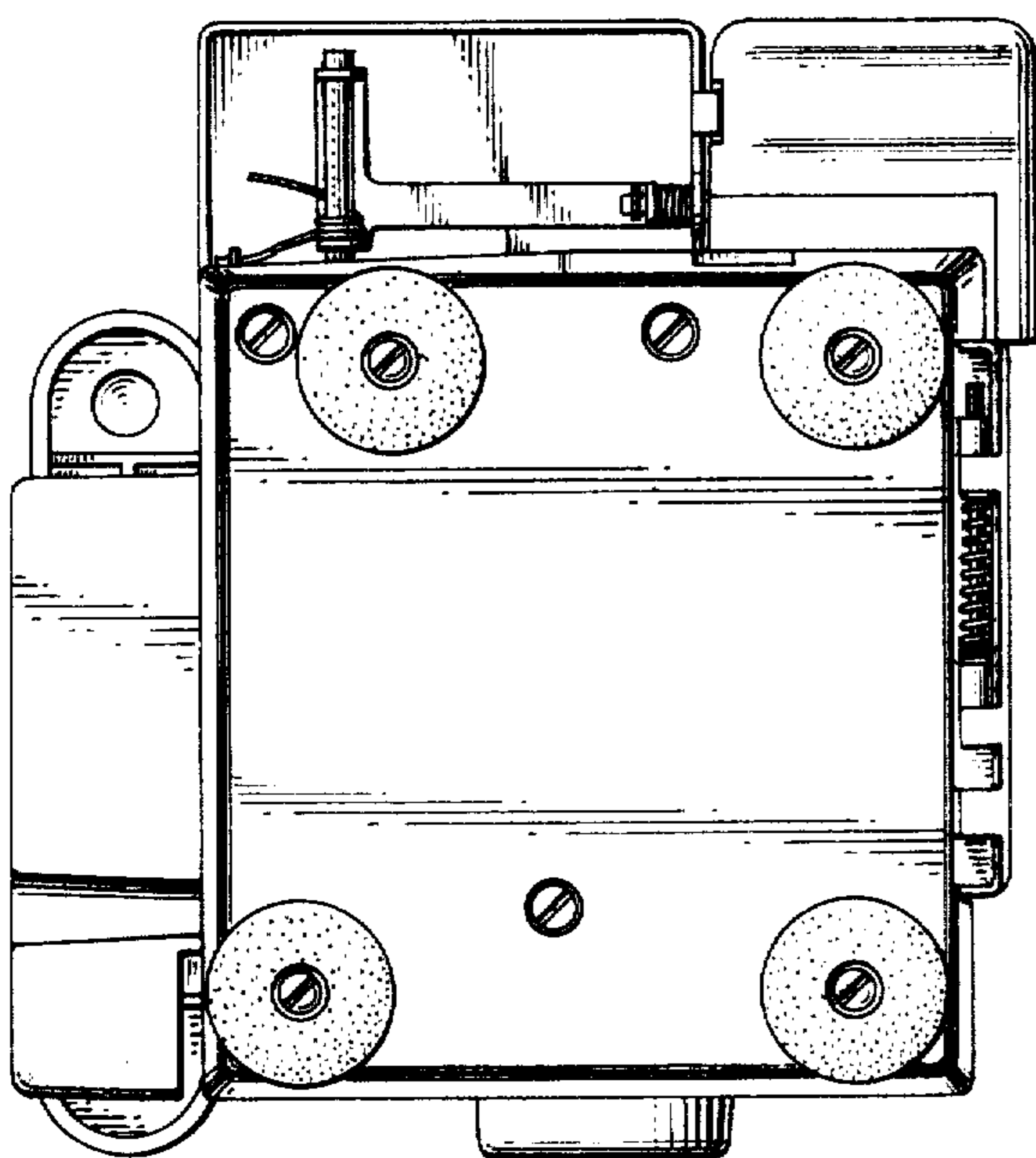
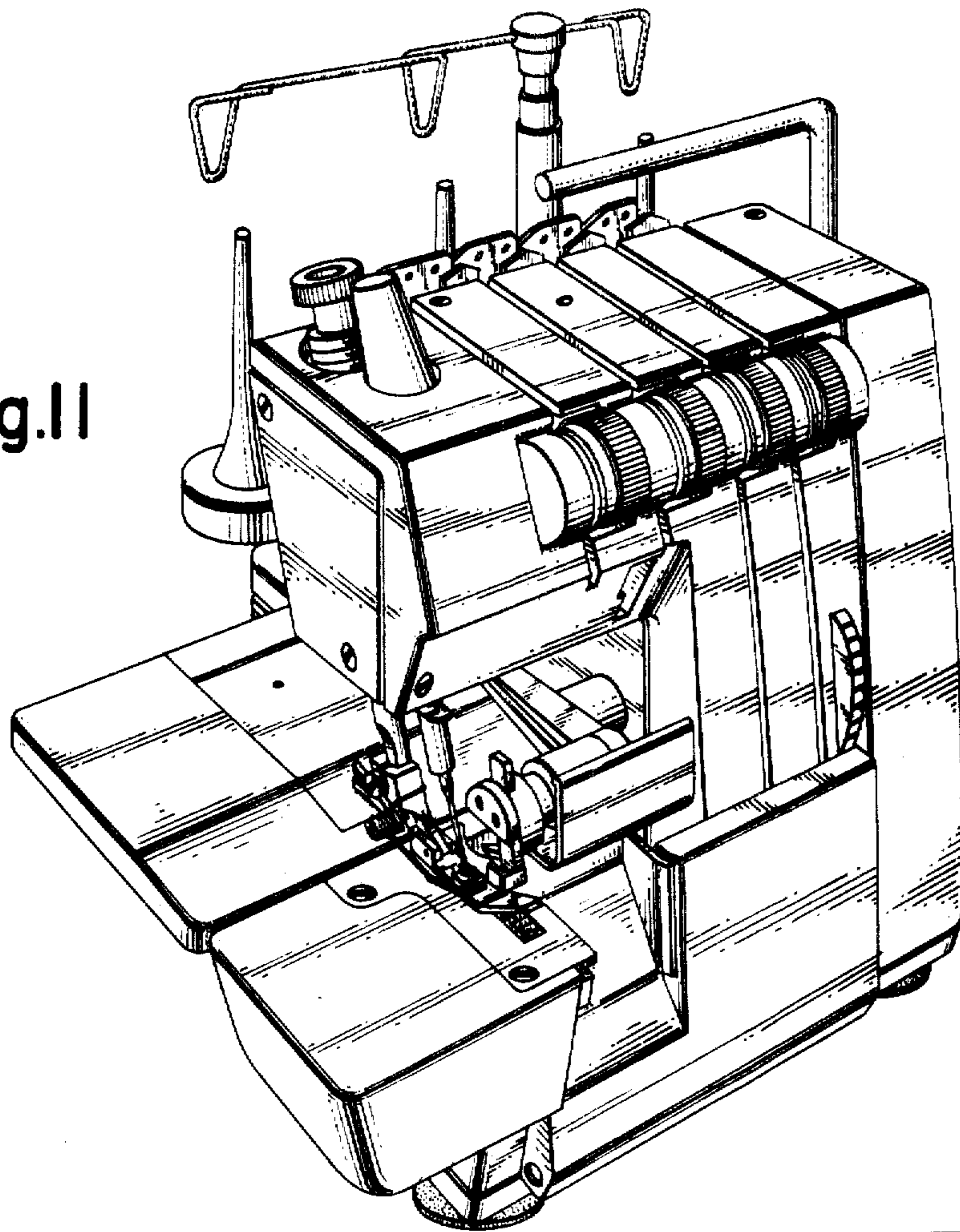


Fig. 7

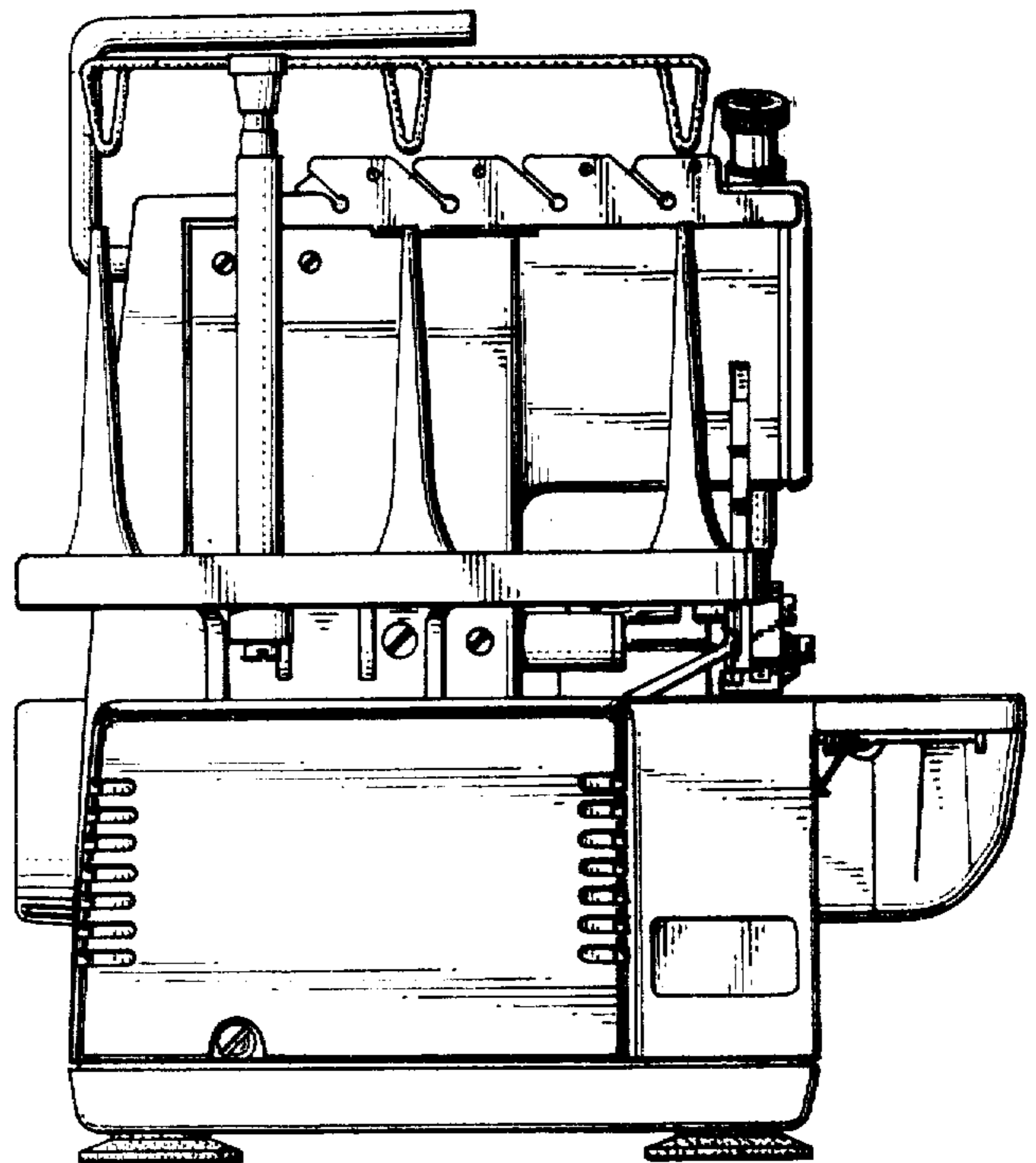


Fig. 6



Fig.8

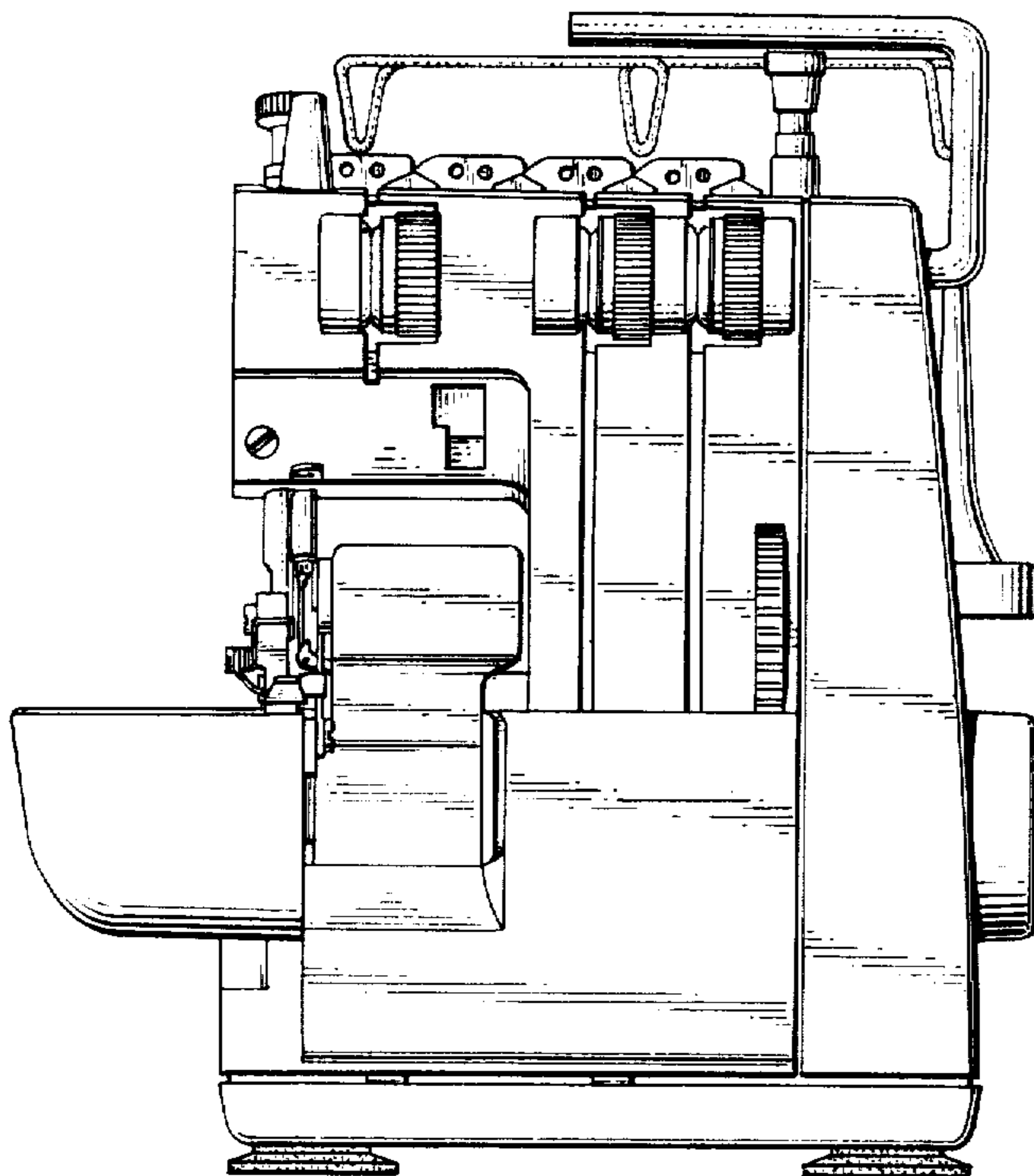
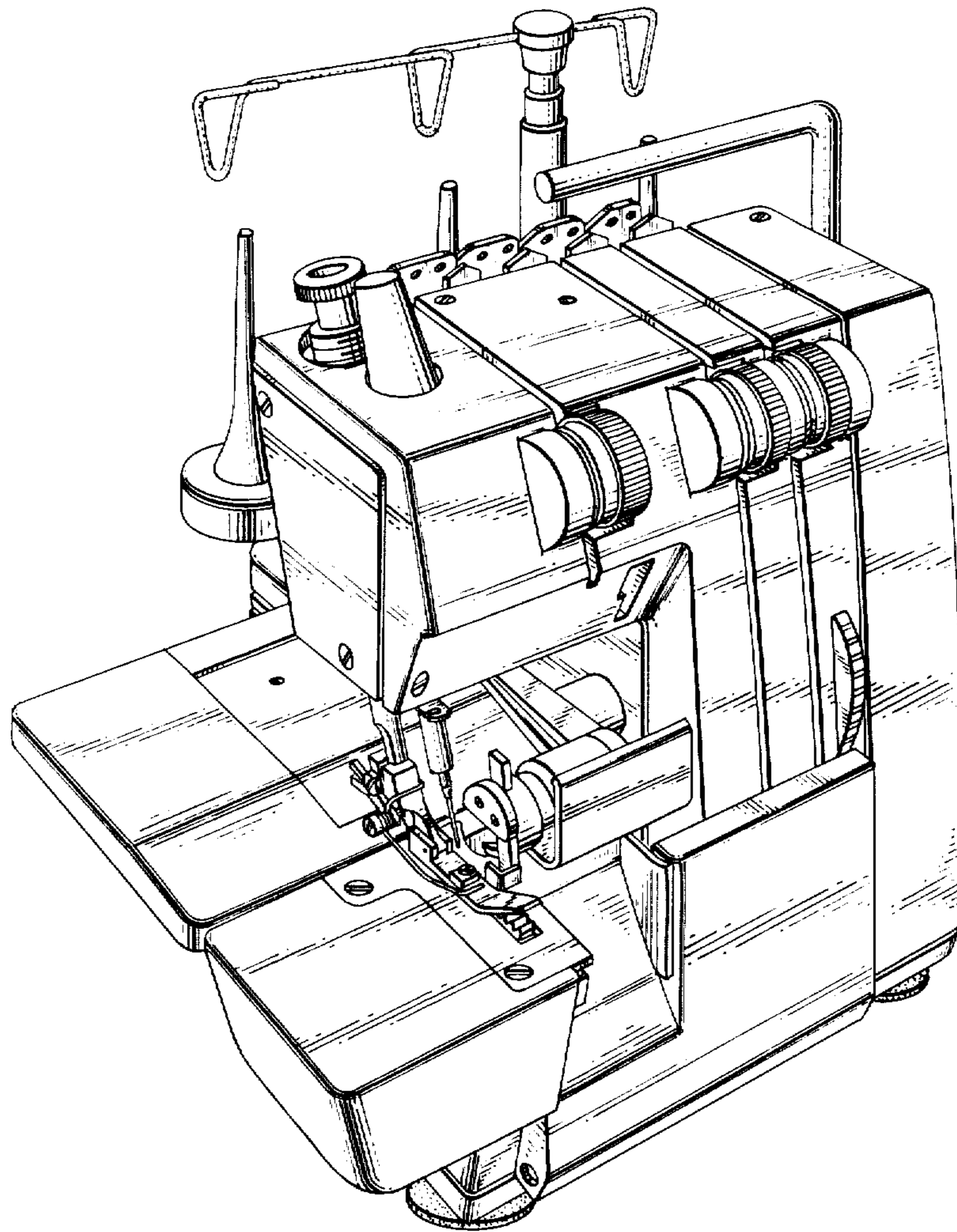


Fig.9