

[54] PROJECTION TELEVISION UNIT

4,209,807 6/1980 Arita D14/83

[75] Inventors: Bernard Mitchell, Upper Saddle River, N.J.; John F. Price, Peabody, Mass.

Primary Examiner—Jane E. Corrigan
Attorney, Agent, or Firm—Kenway & Jenney

[73] Assignee: Kloss Video Corporation, Cambridge, Mass.

[57] CLAIM

The ornamental design for a projection television unit, as shown and described.

[**] Term: 14 Years

DESCRIPTION

[21] Appl. No.: 234,319

FIG. 1 is a front, top and right side perspective view of a projection television unit showing our new design in open position.

[22] Filed: Feb. 13, 1981

FIG. 2 is a left side elevational view of the unit in open position, the right side being a mirror image thereof.

[51] Int. Cl. D14-03

[52] U.S. Cl. D14/79; D2/82; D2/83

FIG. 3 is a front elevational view of the unit in open position.

[58] Field of Search D14/1, 77, 79, 82-84; D6/177-179; 358/60, 254; 312/7 TV

FIG. 4 is a front, top and right side perspective view of the unit in closed position.

[56] References Cited

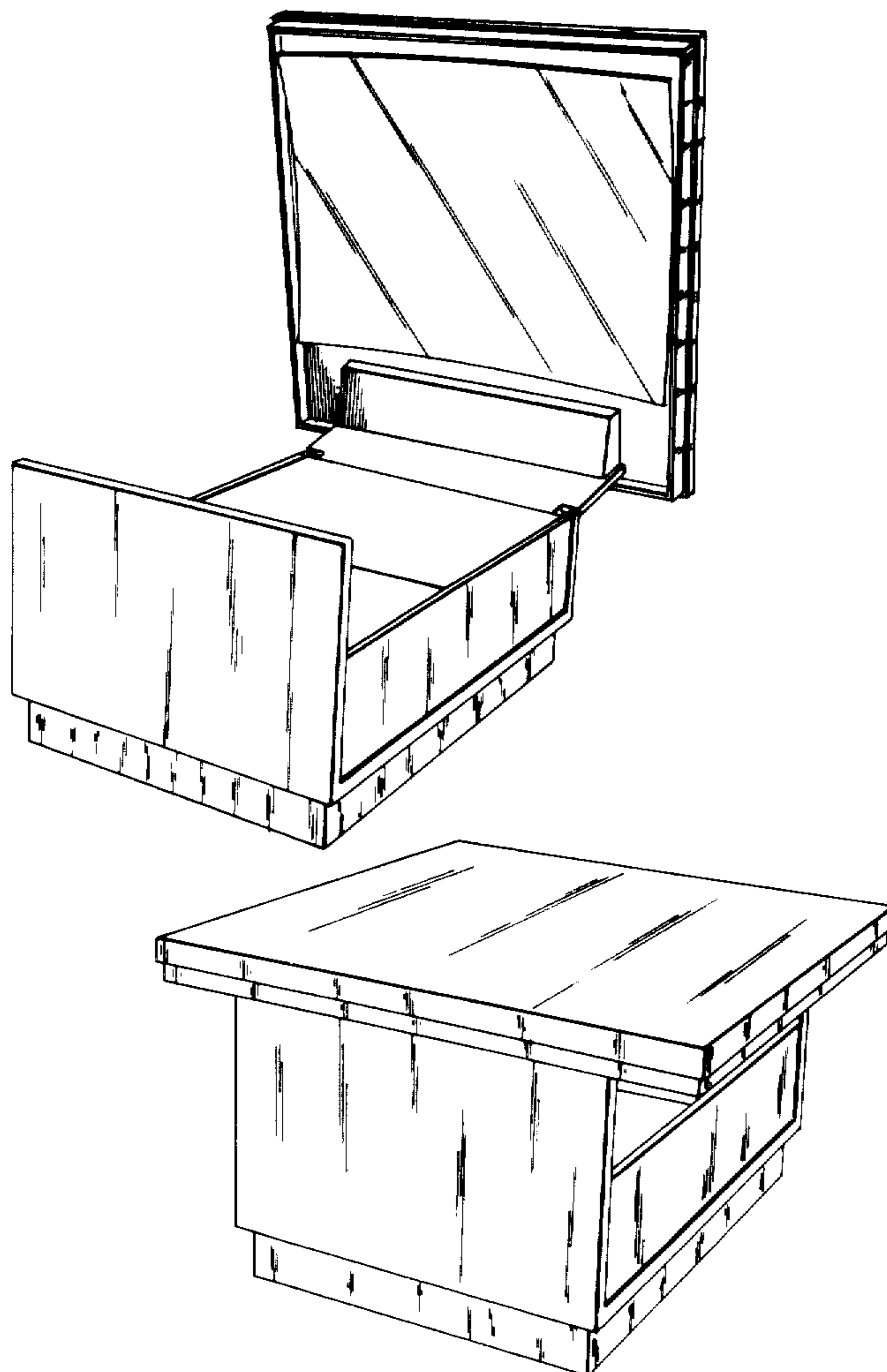
U.S. PATENT DOCUMENTS

- D. 246,407 11/1977 Holdam D6/179
- D. 255,902 7/1980 Inoue et al. D14/83 X
- D. 262,704 1/1982 Pierog D14/79
- 2,512,553 6/1950 Reid 358/254 X

FIG. 5 is a left side elevational view of the unit in closed position, the right side being a mirror image thereof.

FIG. 6 is a front elevational view of the unit in closed position, the rear elevational view being substantially the same.

The bottom of the unit is plain and unornamented.



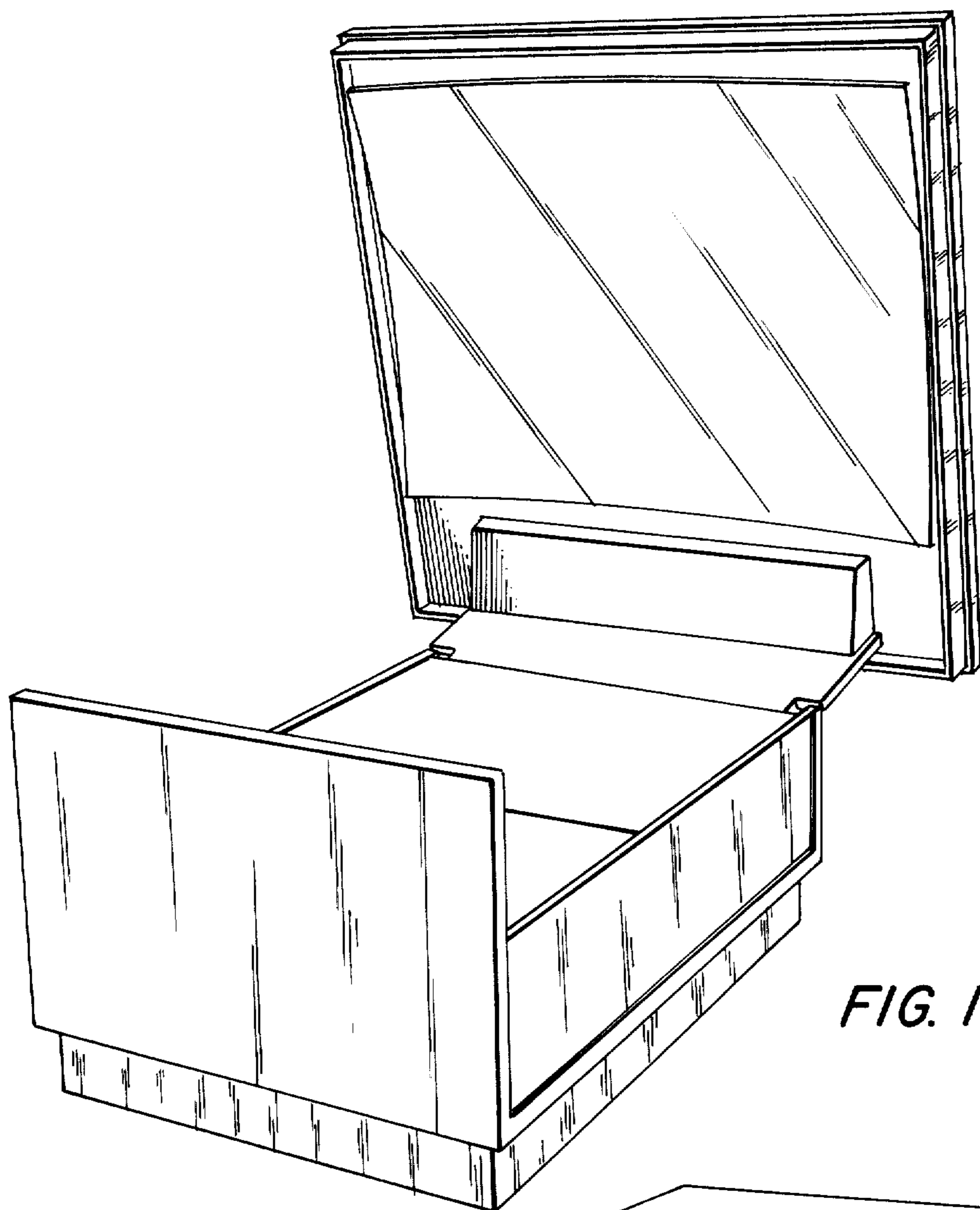


FIG. 1

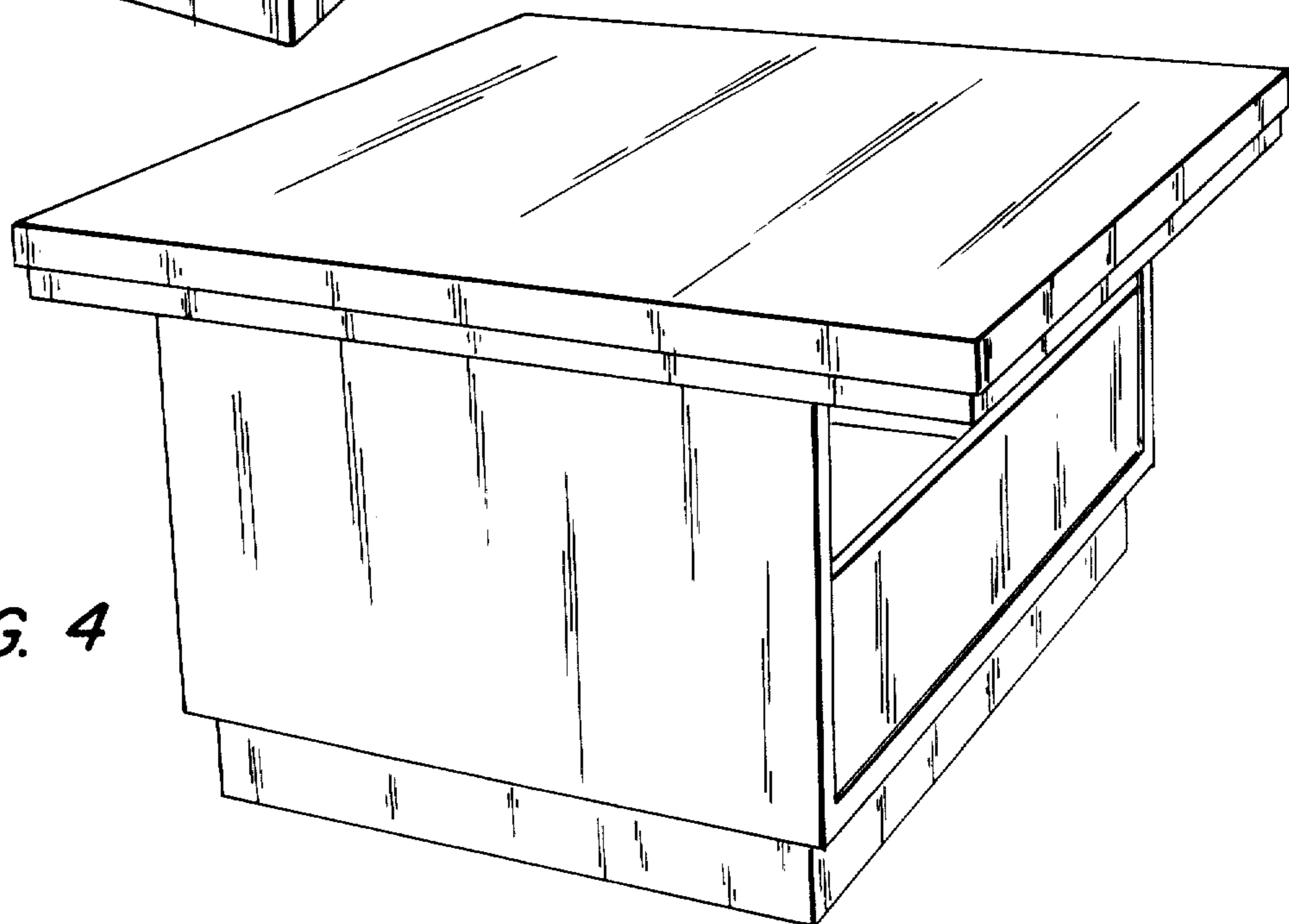


FIG. 4

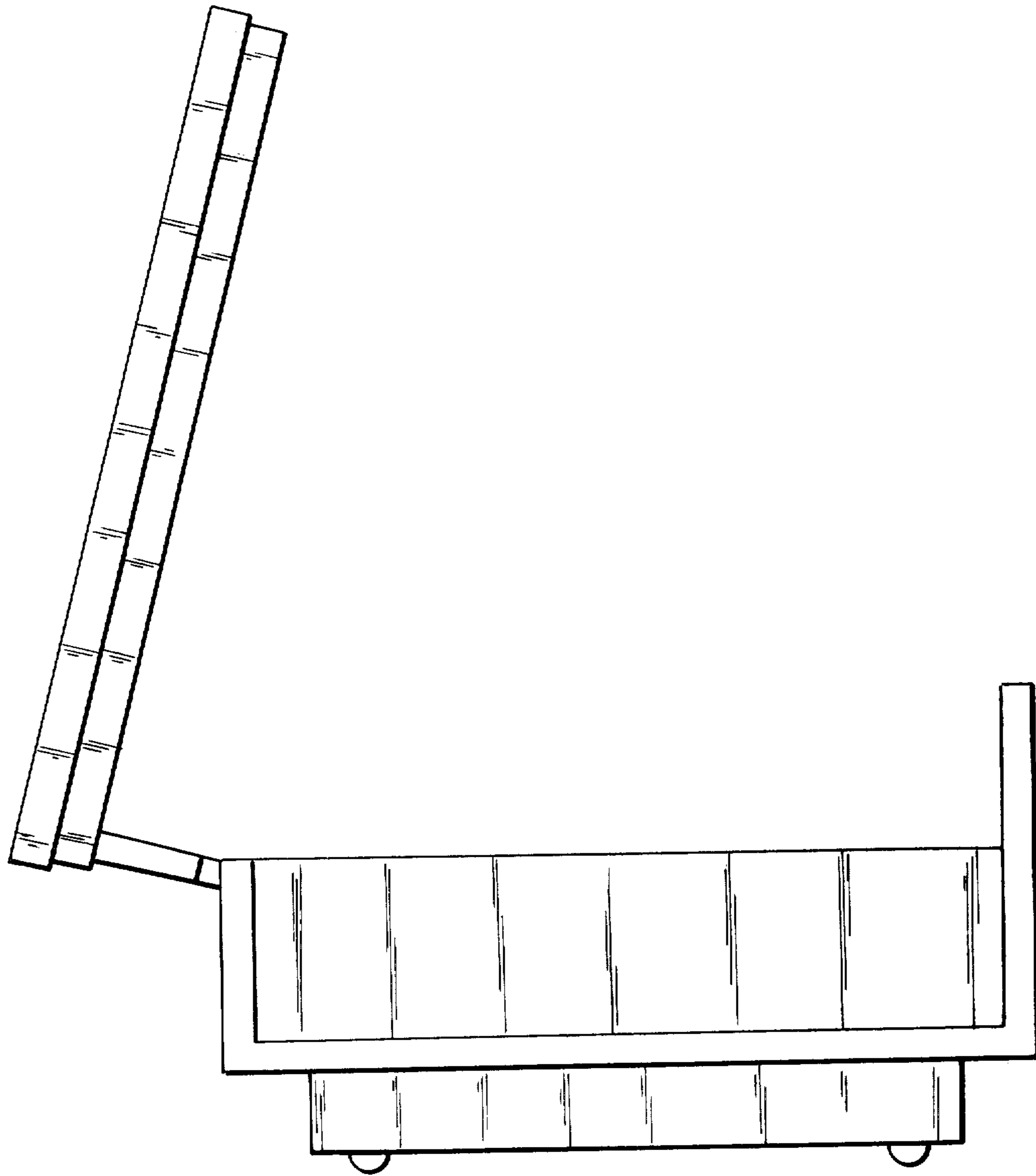


FIG. 2

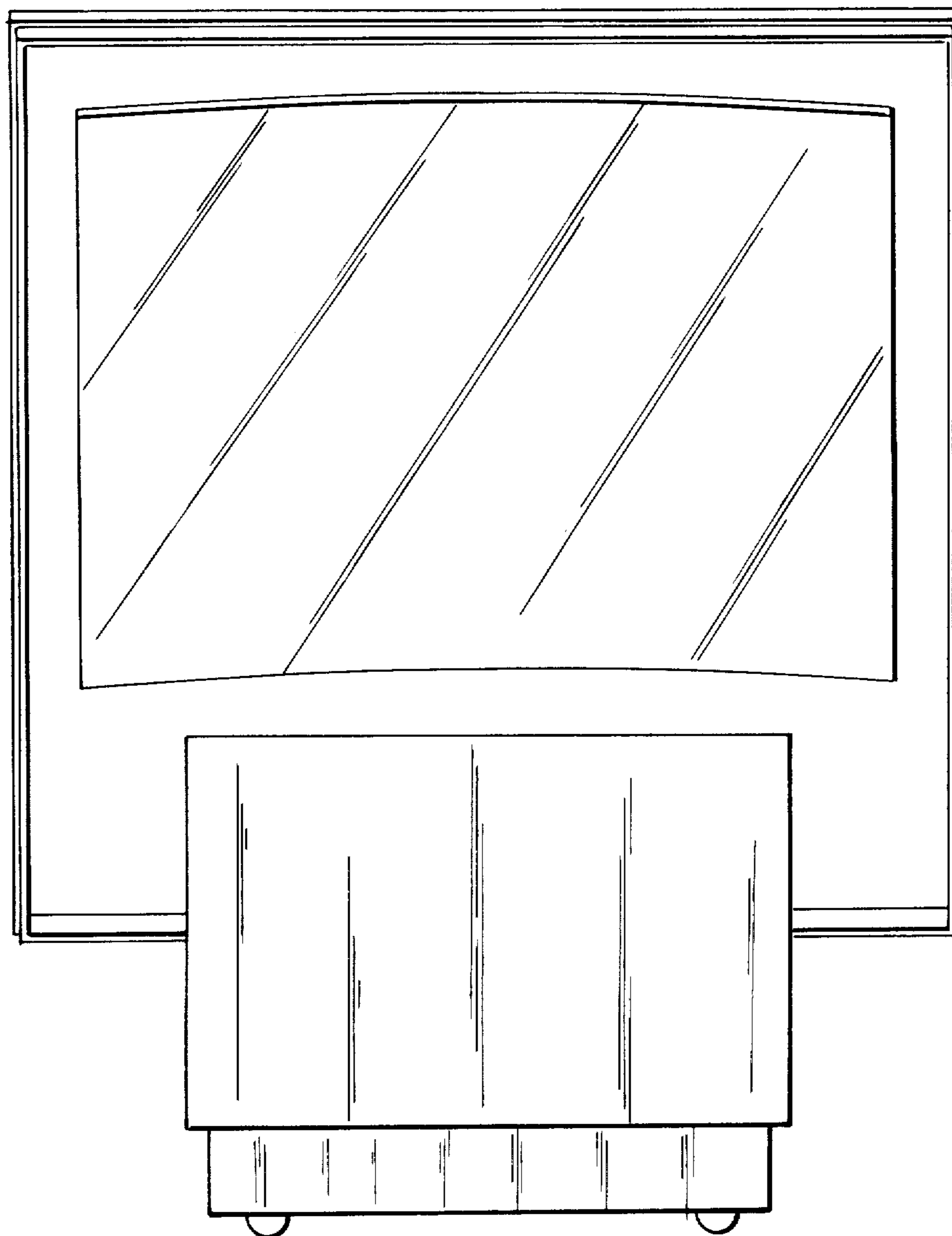


FIG. 3

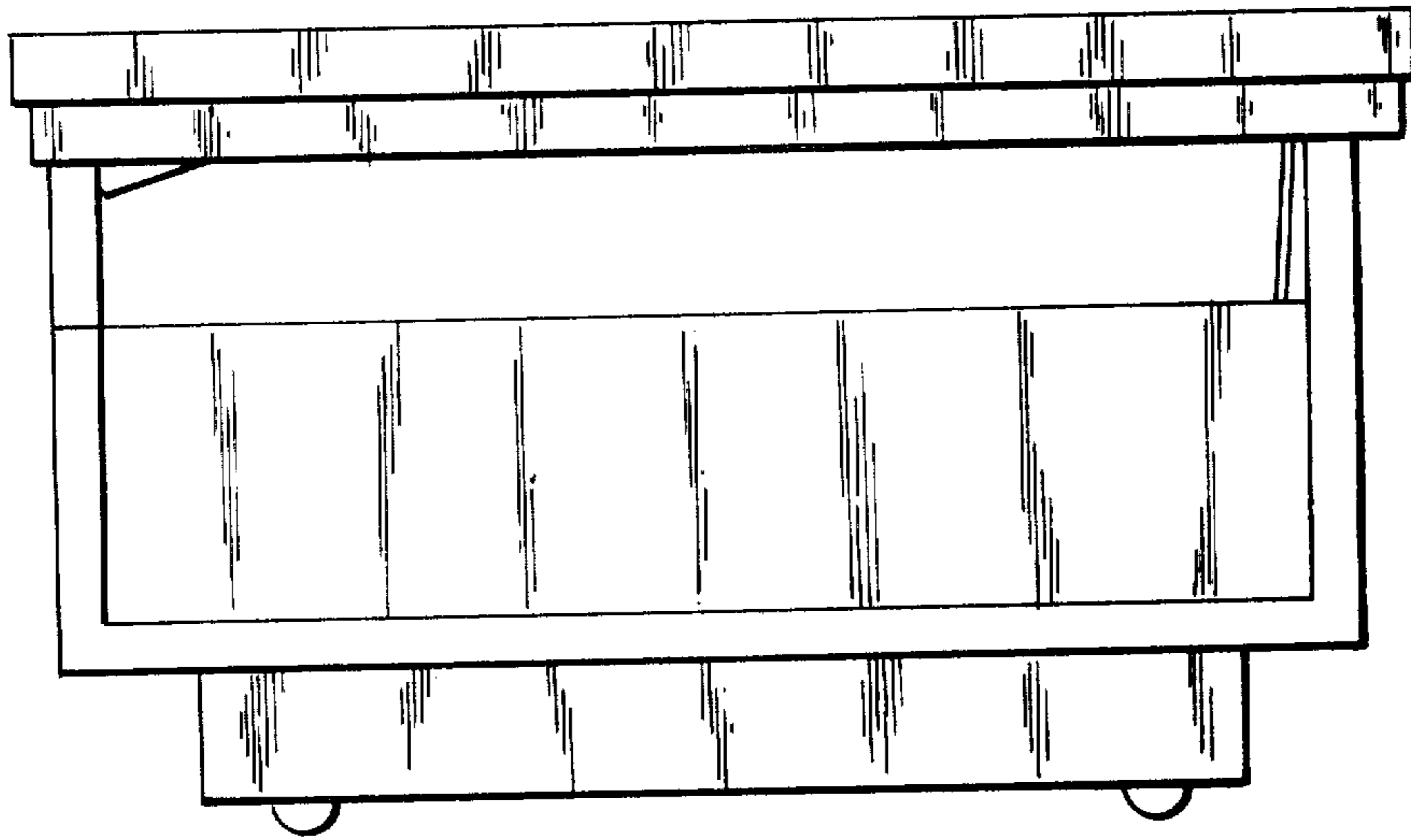


FIG. 5

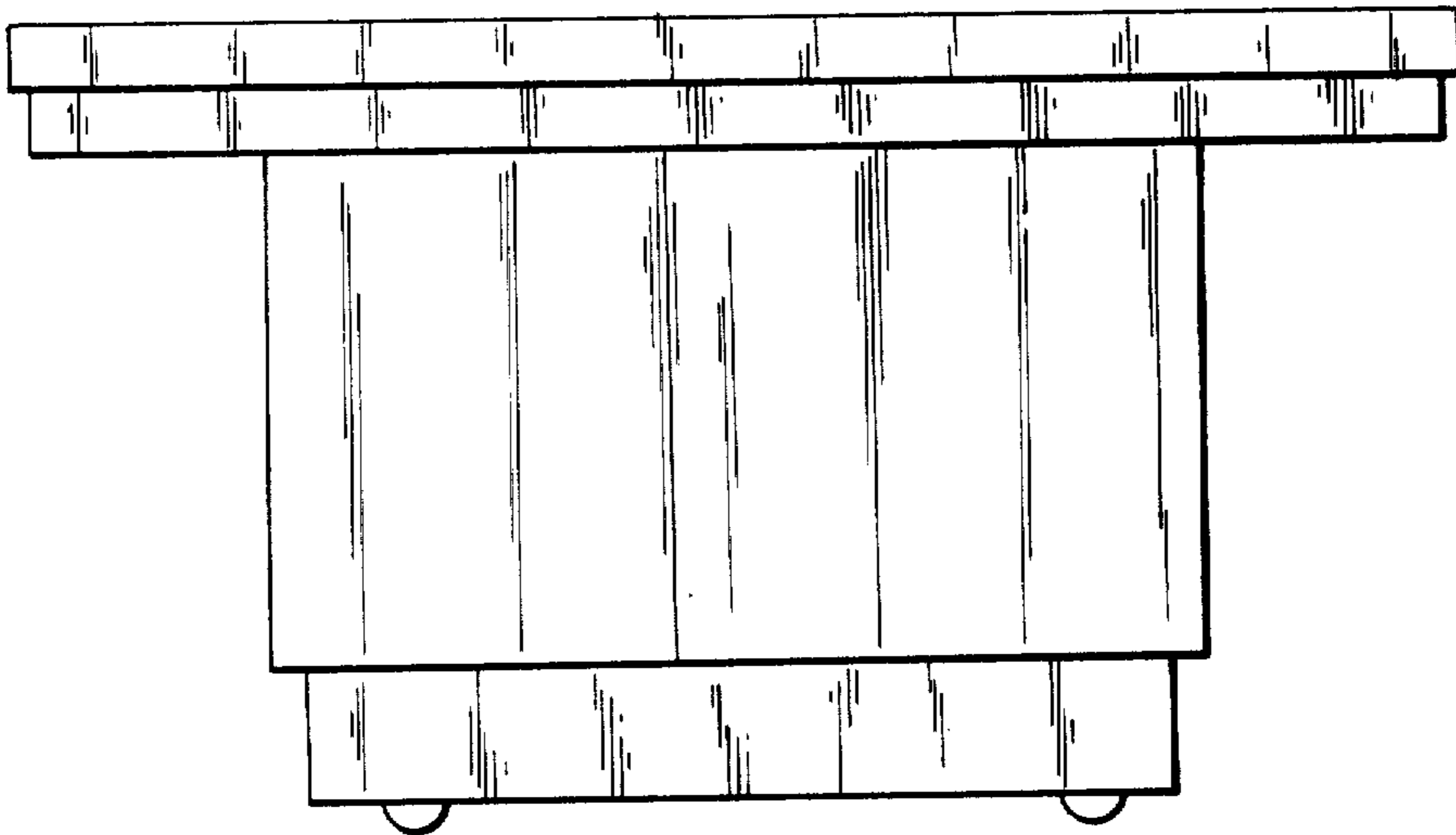


FIG. 6