

[54] SAILING RIG

[75] Inventor: Floyd Marsden, Garden City, Ga.

[73] Assignee: Barbara B. Marsden, Garden City, Ga.

[**] Term: 14 Years

[21] Appl. No.: 125,228

[22] Filed: Feb. 27, 1980

[51] Int. Cl. D12-06

[52] U.S. Cl. D12/317; D12/303

[58] Field of Search D12/303, 304, 317; 114/39, 61, 102, 103, 111

[56] References Cited

U.S. PATENT DOCUMENTS

397,589	2/1889	Cutler	114/103
606,104	6/1898	Twining	114/102
2,147,501	2/1939	Ryder	114/102
2,858,789	11/1958	Stearns	114/103
3,370,560	2/1968	Lucht	D12/304
3,838,655	10/1974	Kratz	114/102

4,047,493	9/1977	Menegus	114/102
4,094,262	6/1978	Riedel	114/39

FOREIGN PATENT DOCUMENTS

2405864	6/1979	France	114/140
---------	--------	--------	---------

Primary Examiner—T. Tung

Attorney, Agent, or Firm—Larry Harold Kline

[57] CLAIM

The ornamental design for a sailing rig, substantially as shown and described.

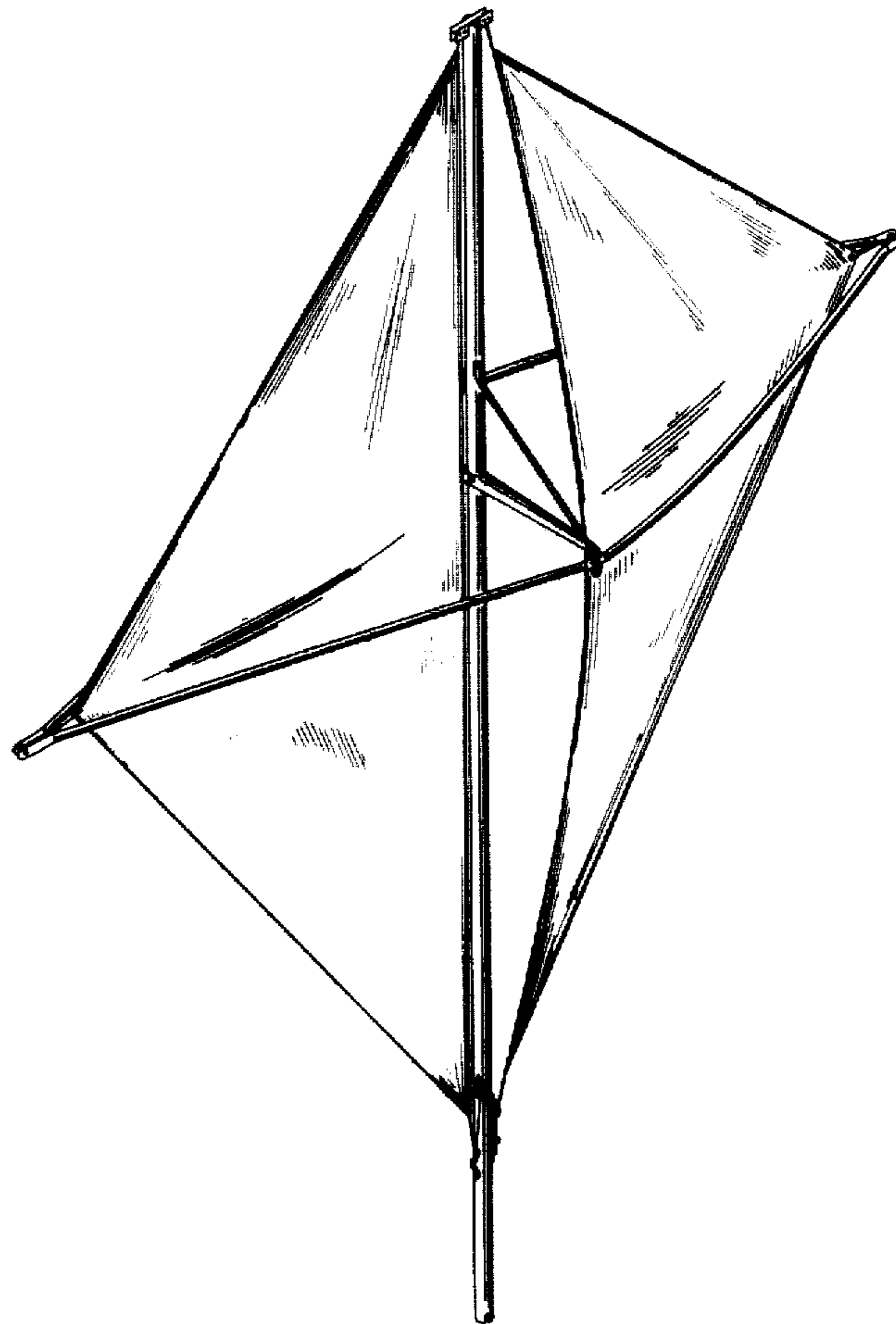
DESCRIPTION

FIG. 1 is an isometric view of a sailing rig for supporting a mainsail and a jib, with the mainsail in the left foreground.

FIG. 2 is an isometric view of a second embodiment of the sailing rig design in FIG. 1 utilizing stitched sails, with the jib in the left foreground.

FIG. 3 is a side elevational view of a third embodiment of the sailing rig design in FIG. 1.

The undisclosed sides of the three embodiments are the same in appearance as the respective sides shown.



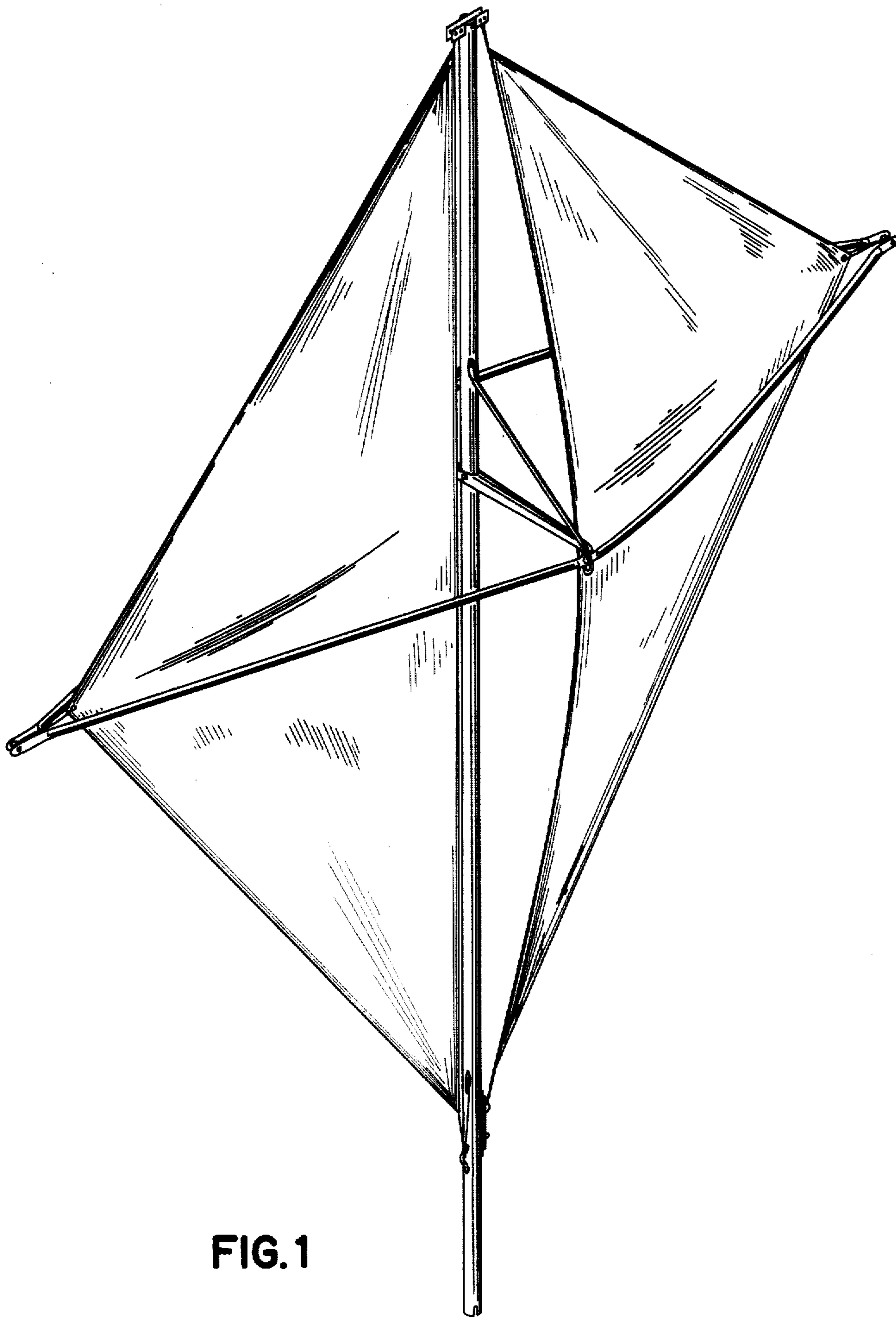


FIG. 1

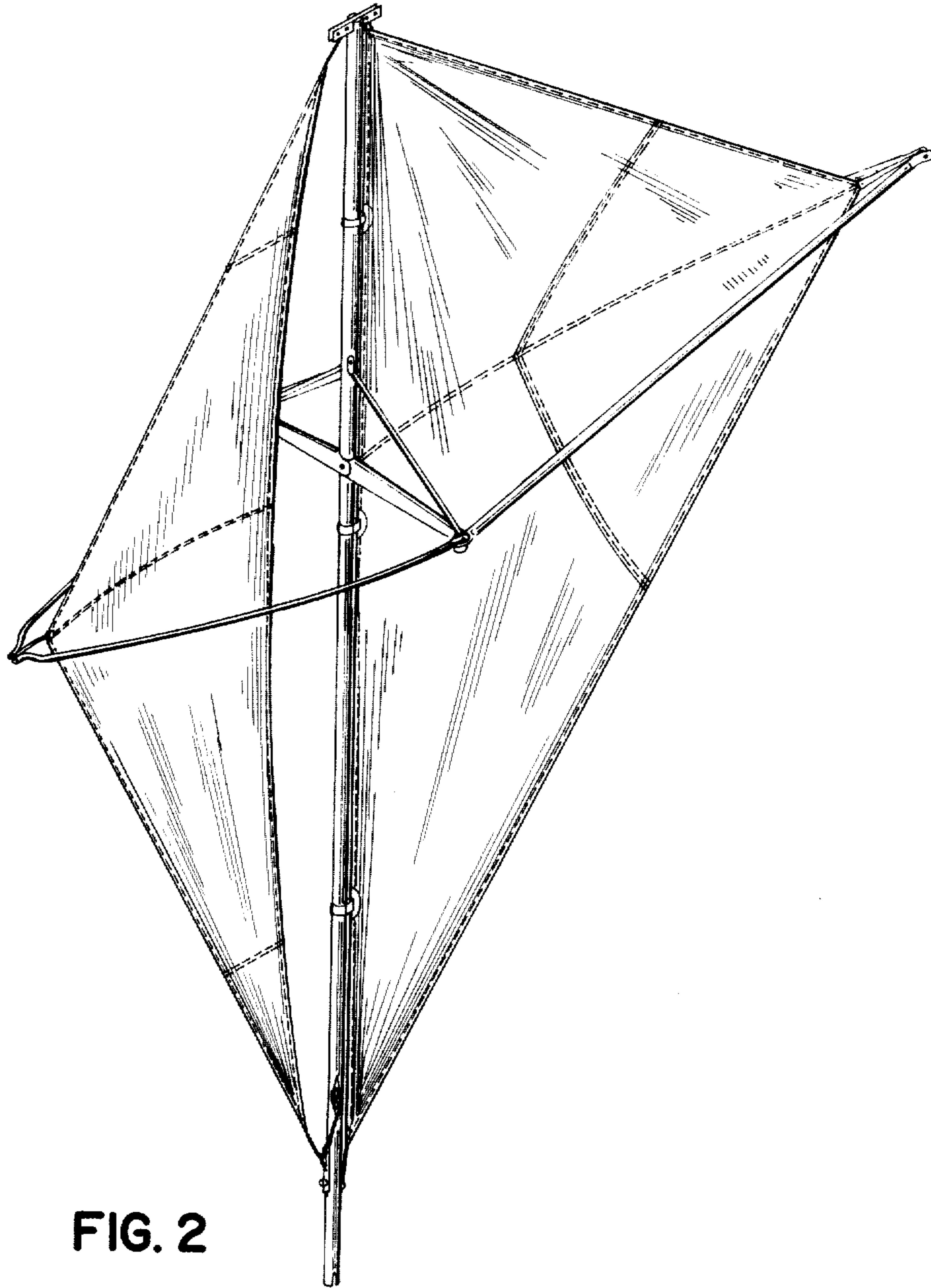


FIG. 2

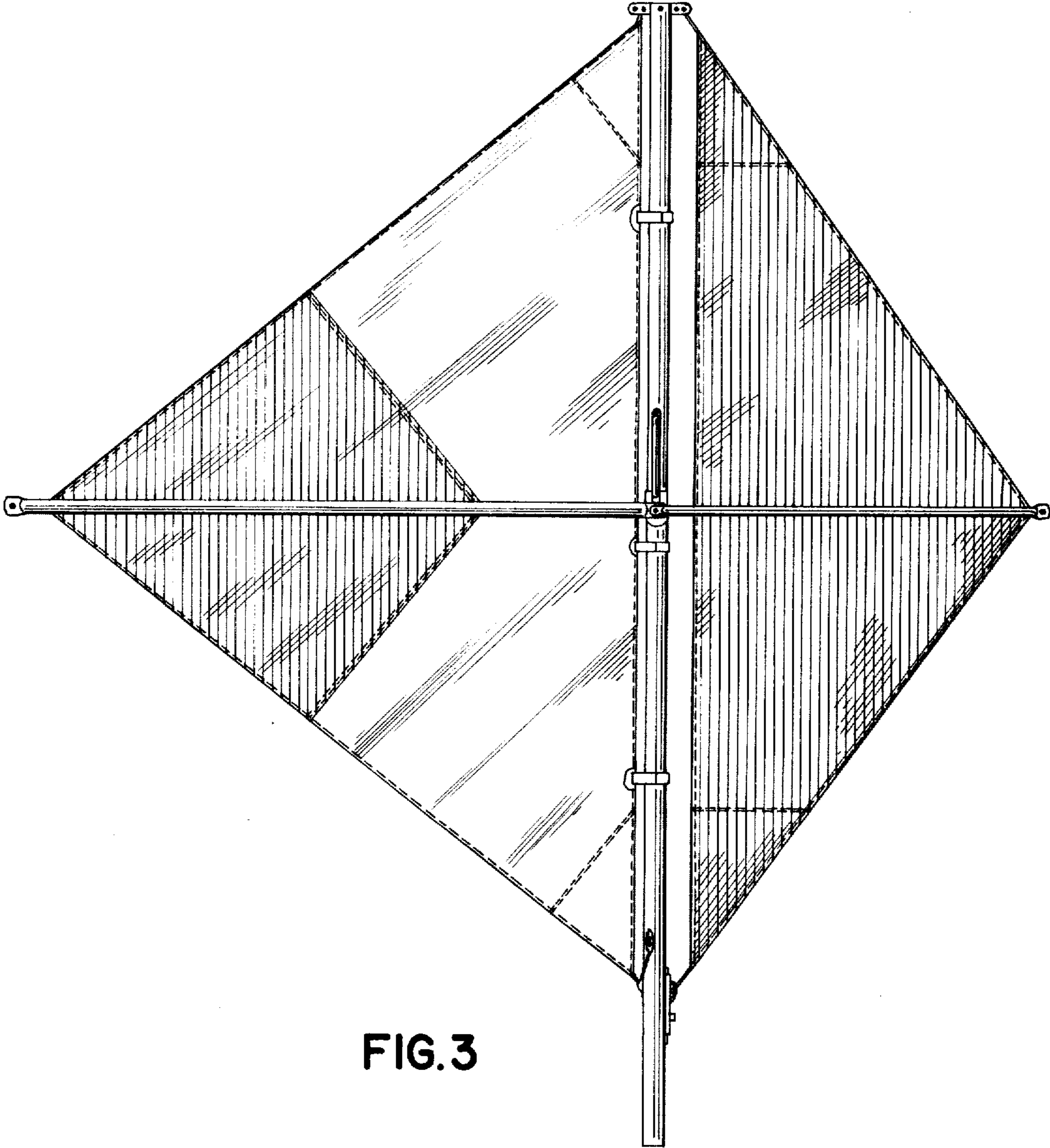


FIG.3