

- [54] **AUTOMOTIVE SPLASH GUARD**
- [75] Inventor: **Jules P. Gross, Toronto, Canada**
- [73] Assignees: **Pathfinder Auto Lamp Company, Niles, Ill.; National Rubber Company, Ltd., Toronto, Canada**
- [**] Term: **14 Years**
- [21] Appl. No.: **228,151**
- [22] Filed: **Jan. 26, 1981**
- [51] Int. Cl. **D12-16**
- [52] U.S. Cl. **D12/185**
- [58] Field of Search **D12/185; 280/154.5 R**

2037679 7/1980 United Kingdom 280/154.5 R

Primary Examiner—James M. Gandy
Attorney, Agent, or Firm—Lockwood, Dewey, Alex & Cummings

CLAIM

[57] The ornamental design for an automotive splash guard, as shown and described.

DESCRIPTION

FIG. 1 is a top perspective view of an automotive splash guard embodying my new design;
 FIG. 2 is a front elevational view thereof;
 FIG. 3 is a rear elevational view thereof;
 FIG. 4 is a side elevational view thereof as viewed along line 4—4 in FIG. 3;
 FIG. 5 is a side elevational view thereof as viewed along line 5—5 in FIG. 3;
 FIG. 6 is a top plan view thereof as viewed along line 6—6 in FIG. 3; and
 FIG. 7 is a bottom plan view thereof as viewed along line 7—7 in FIG. 2.

References Cited

U.S. PATENT DOCUMENTS

D. 241,827 10/1976 Podall D12/185

FOREIGN PATENT DOCUMENTS

1962863 6/1971 Fed. Rep. of Germany ... 280/154.5 R

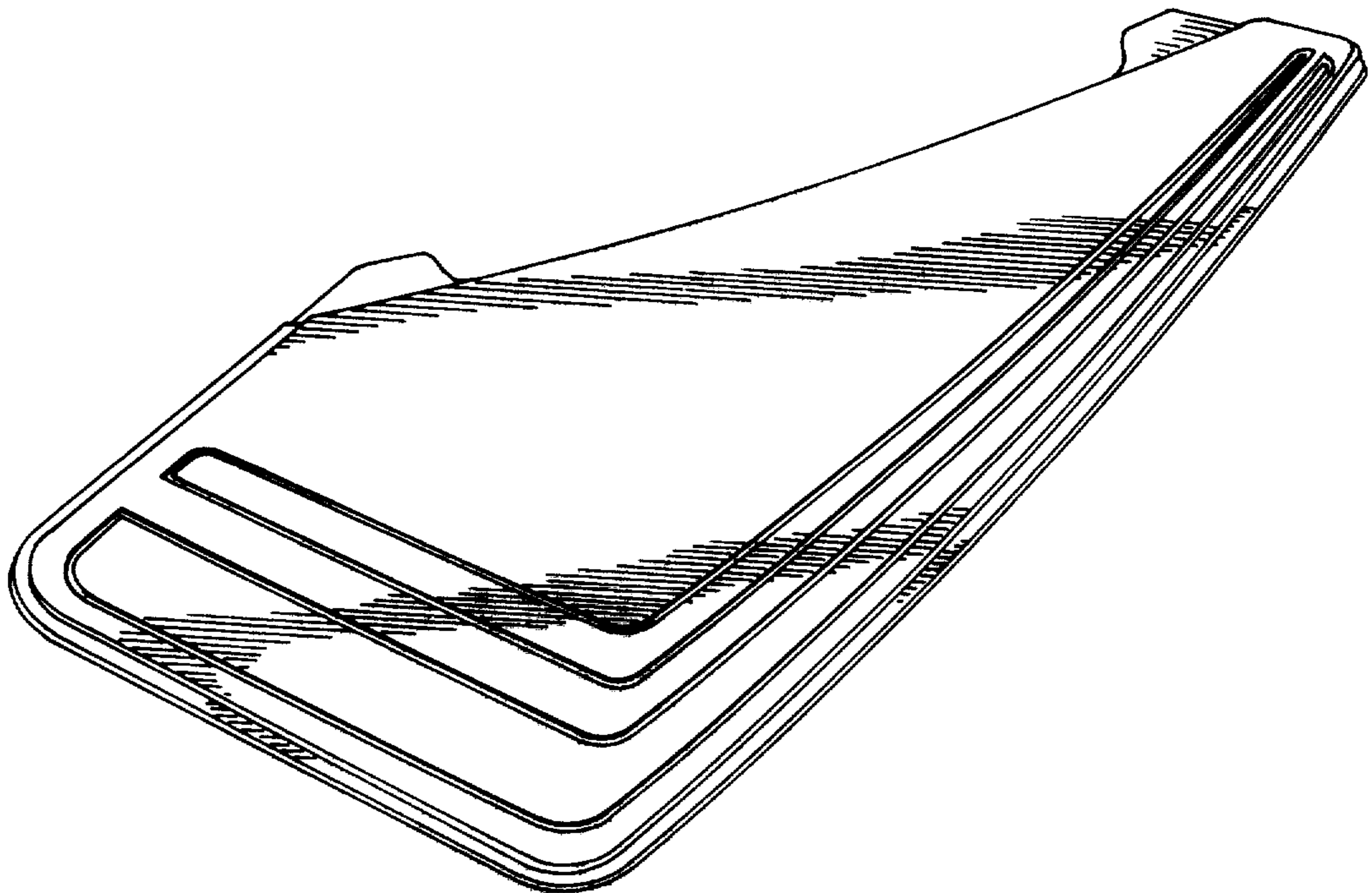


FIG. 1.

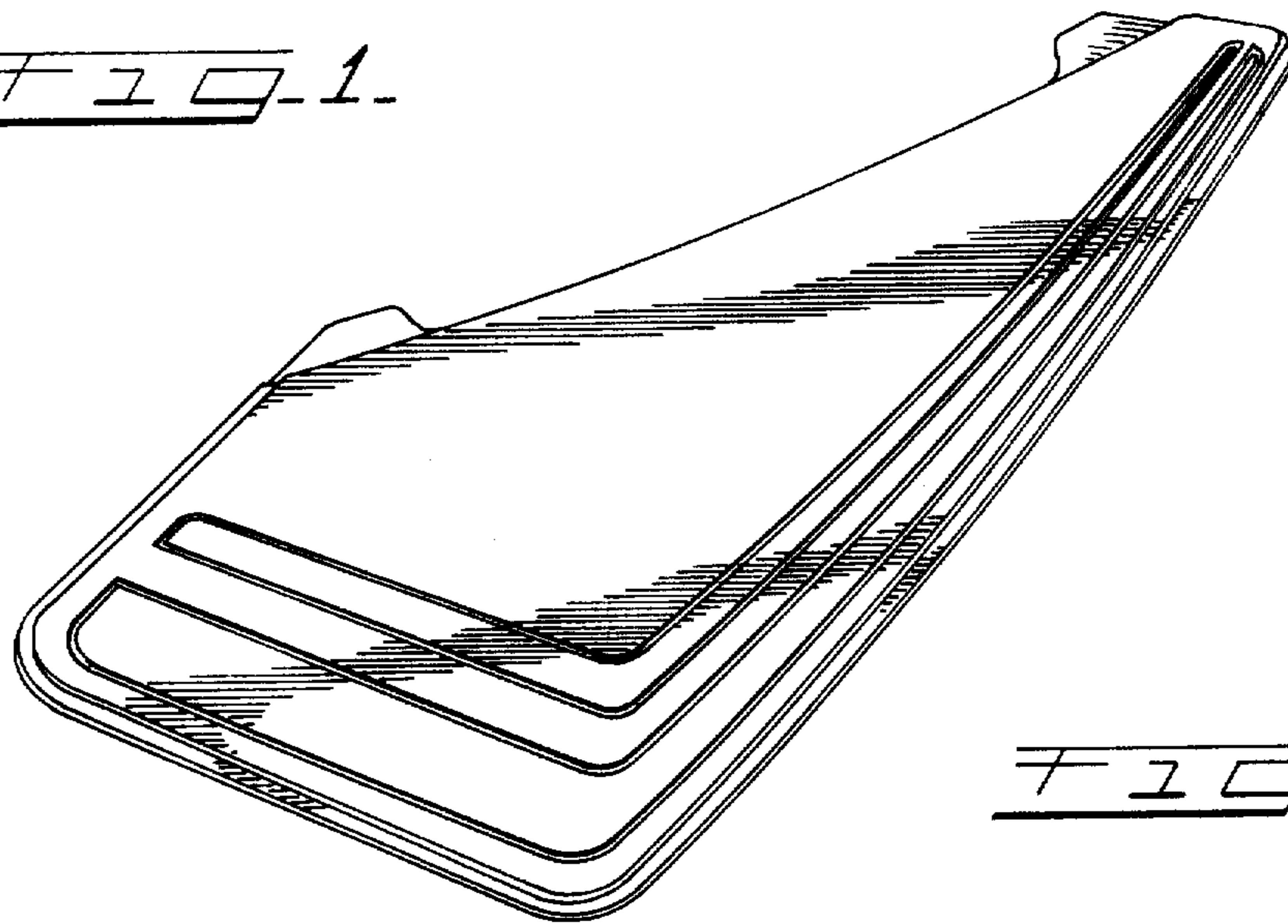


FIG. 2.

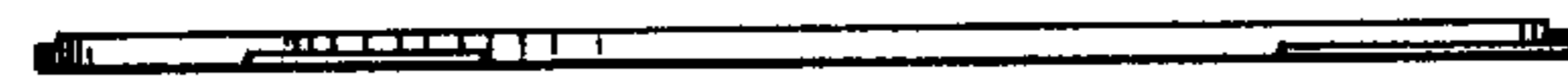
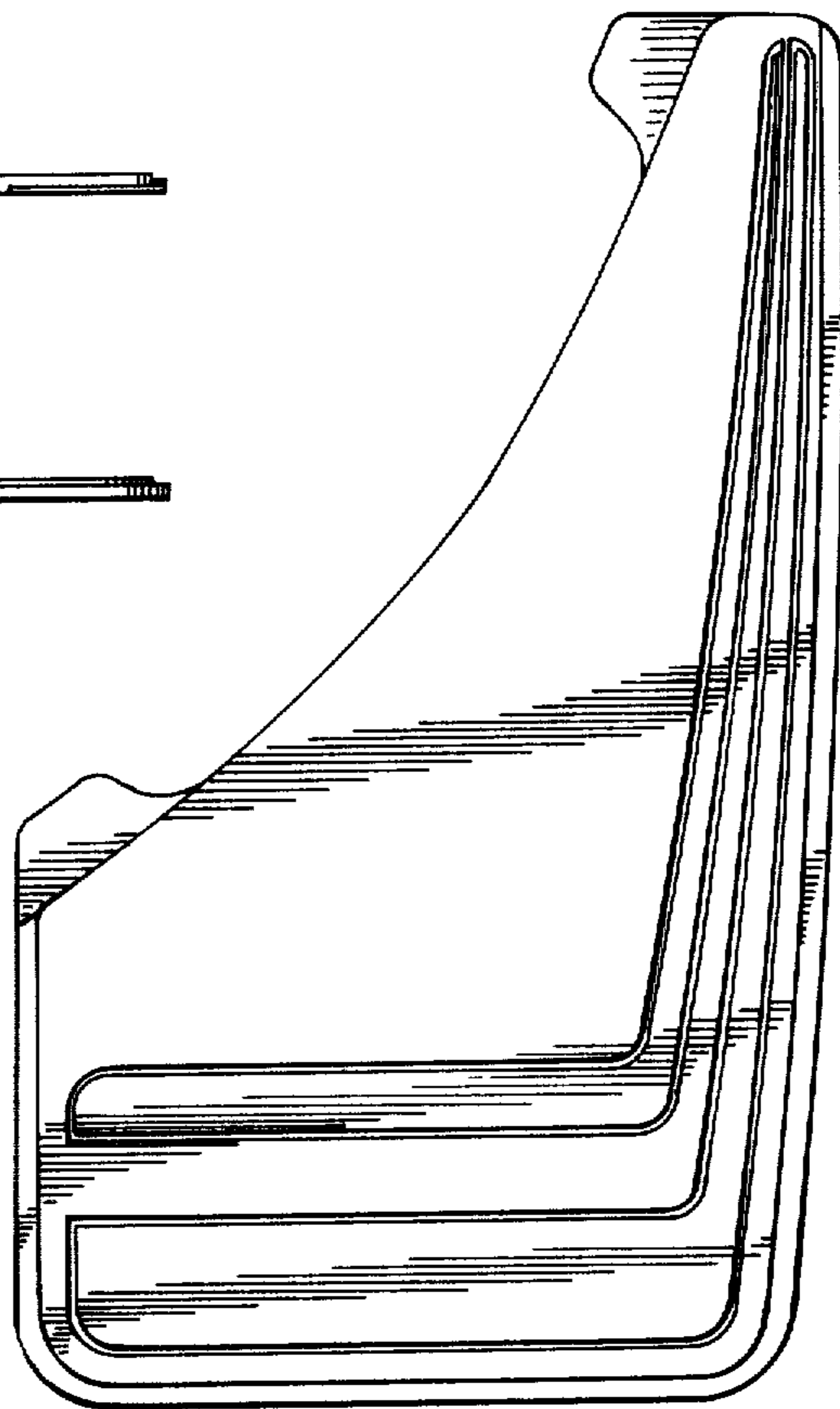


FIG. 6.



FIG. 7.

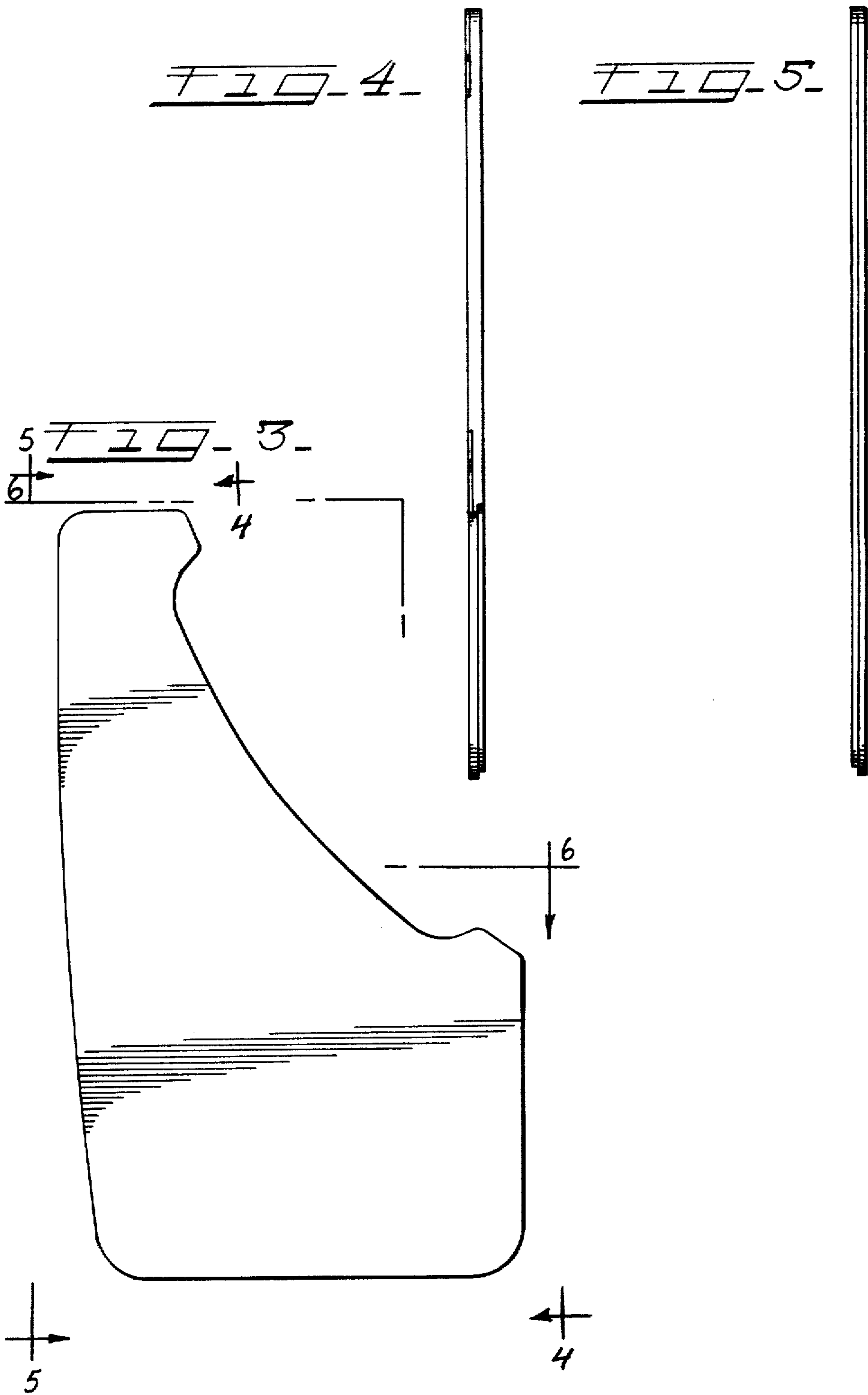
7 ↑

↑ 7

FIG. 4

FIG. 5

FIG. 3



Disclaimer

Des. 267,865.—*Jules P. Gross*, Toronto, Canada. AUTOMOTIVE SPLASH GUARD. Patent dated Feb. 8, 1983. Disclaimer filed Mar. 29, 1989, by the assignee, Mr. Gasket Co.

Hereby enters this disclaimer to the entire term of said patent.
[*Official Gazette May 9, 1989*]